


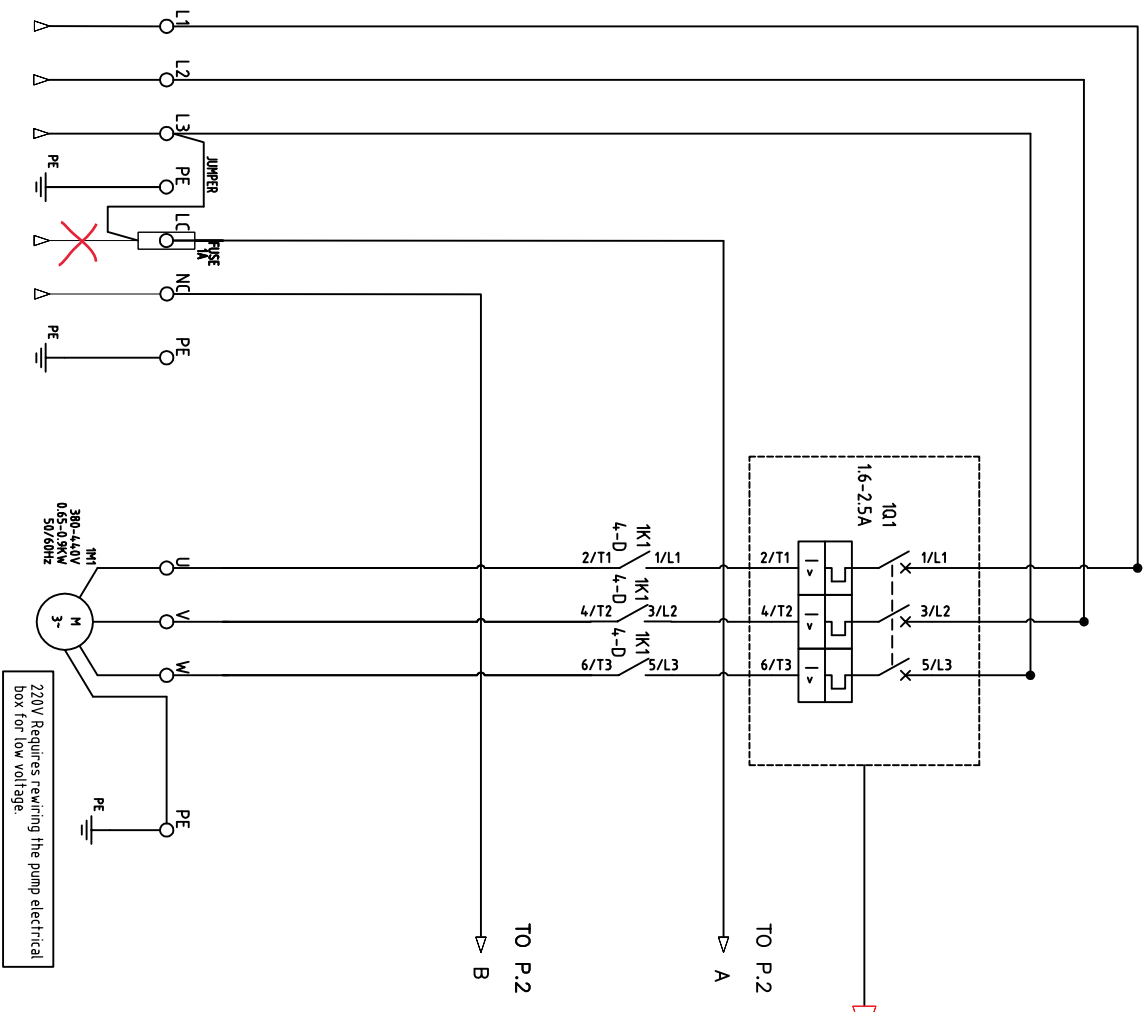
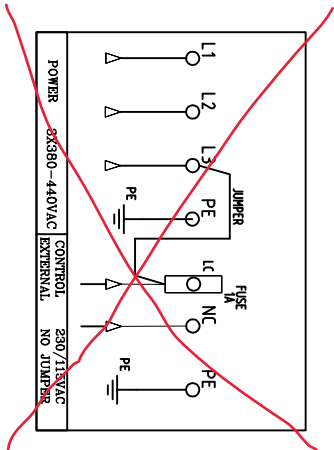


FTO AUS-SWB 400-440V 1.6-2.5A 0.65-0.9KW
77120-003350

 GROW MORE WITH LESS	Page: 1	Project:		Job No.:	No.	Date	Revision
	Of: 7	FTO AUS-SWB 400-440V 1.6-2.5A 0.65-0.9KW		Customer: NETAFIM		19.09.18	Income terminals update
Scale:	SAP NUMBER: 77120-003350		Planner: M. RAZI				
Desc: Electrical Diagram				Drawer: MALIK			
				Engineer: M. RAZI			

Drawing Date:

FOR REVIEW



** If mains voltage is 3x220...
 1. Replace 2.5-4A overload with included 4-6.3A overload.
 2. Set trip current according to pump placard.
 3. Open pump wiring cover, and change to low voltage.

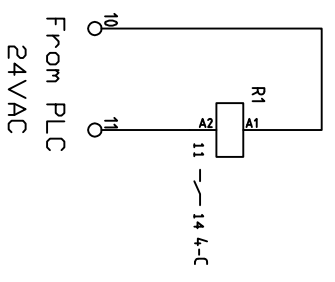
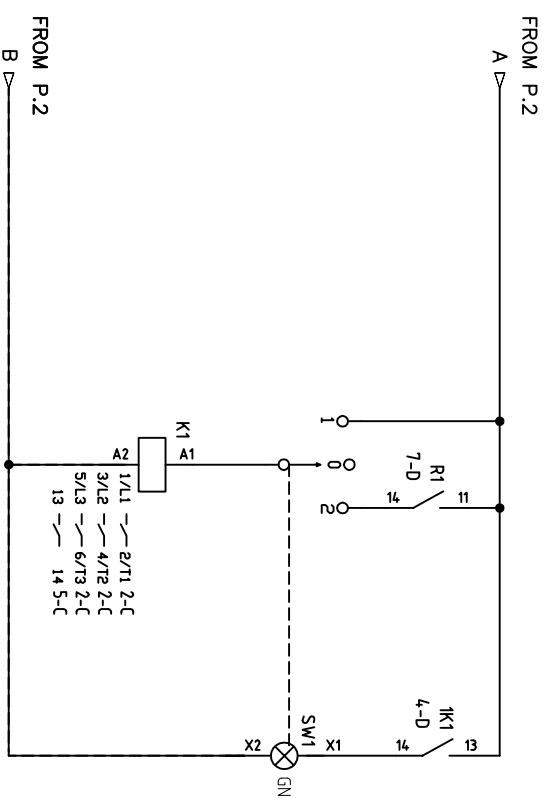
220V Requires rewiring the pump electrical box for low voltage.



Page: 2	Project: FTOAUS-SWB 400-440V 1.6-2.5A	Job No.:	Date:	Revision:
Scale: SAIP NUMBER: 77120-003350		Planner: M. RAZI		
Desc: Front View		Drawer: MALIK		
		Engineer: M. RAZI		

Drawing Date:

0 1 2 3 4 5 6 7 8 9



M10 V110 V210 V210

DOS CHANN 1

DOS CHANN 2



Page: 3	Project:	Job No.:	No.	Date	Revision
Of: 7	FTO AUS-SWB 400-440V 1.6-2.5A 0.65-0.9KW	Customer: NETAFIM		19.09.18	Income terminals update
Scale: 77120-003350	SAP NUMBER:	Planner: M. RAZI			
Desc: Front View		Drawer: MALIK			
		Engineer: M. RAZI			

Drawing Date:


0 1 2 3 4 5 6 7 8 9

A B C D E F

A B C D E F

EQUIPMENTS LIST

REMARKS	TECHNICAL DATA	TYPE / MODEL	MANUFACTURER	ACCESSORY	SYMBOL
	1.6-2.5A	GVM07	SHINDER	CIRCUIT BREAKER	1Q1
OPTIONAL	4-6.3A	GVM10	SHINDER	CIRCUIT BREAKER	
	4KW / 220-110VAC	AF09	ABB	CONTACTOR	1K1
	+ LED 220-100VAC	SA22-AK1335	SALZER	SELECTOR SWITCH	SW1
		700-H1T4 CAT 700BR24	ALLEN-BRADLY	RELY	R1
	248/174/130	CI	ADA	BOX	CI

 <p>NETAFIMTM GROW MORE WITH LESS</p>	Page: 5	Project: FTOANUS-SWB 400-440V 1.6-2.5A 0.65-0.9KW		Job No.:	No.:	Date: 19.09.18	Revision:
	Scale: SAP NUMBER: 77120-003350	Desc: Front View		Customer: NETAFIM Planner: M. RAZI Drawer: MALIK Engineer: M. RAZI			Income terminals update

Drawing Date:

0 1 2 3 4 5 6 7 8 9

F

E

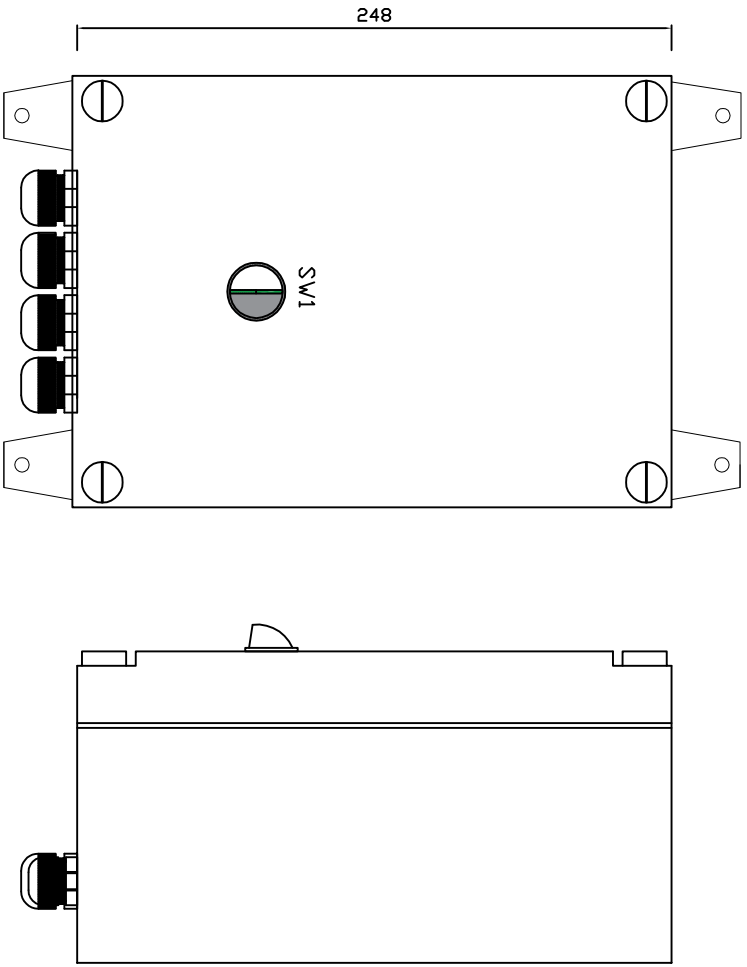
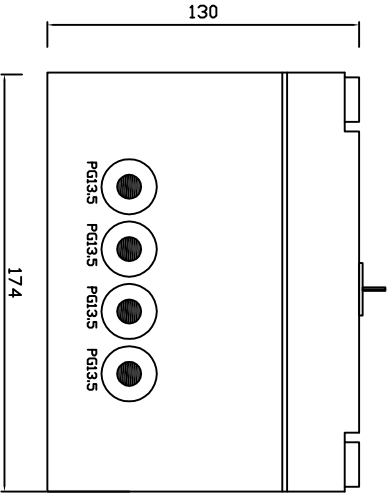
D

C

B

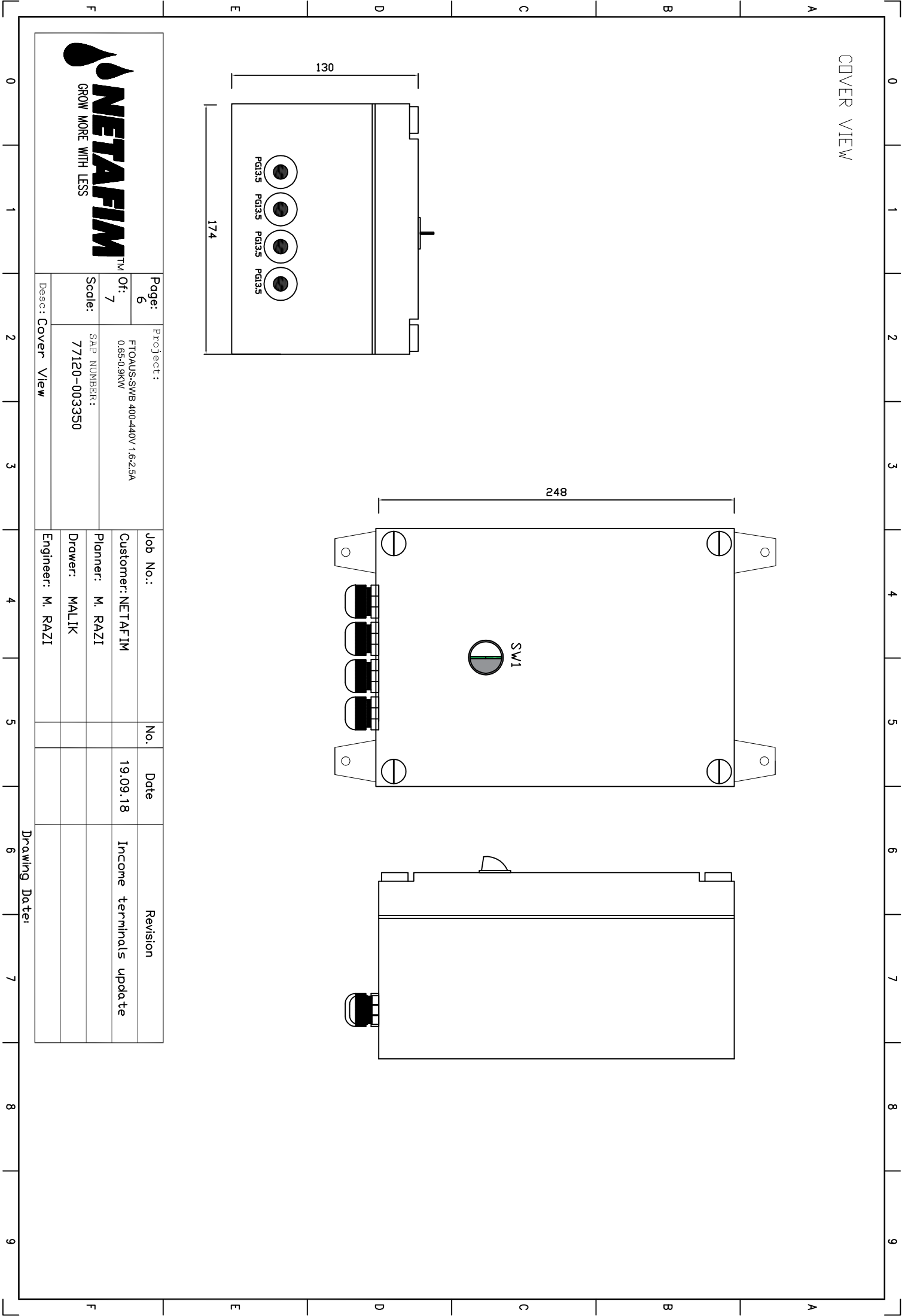
A

COVER VIEW

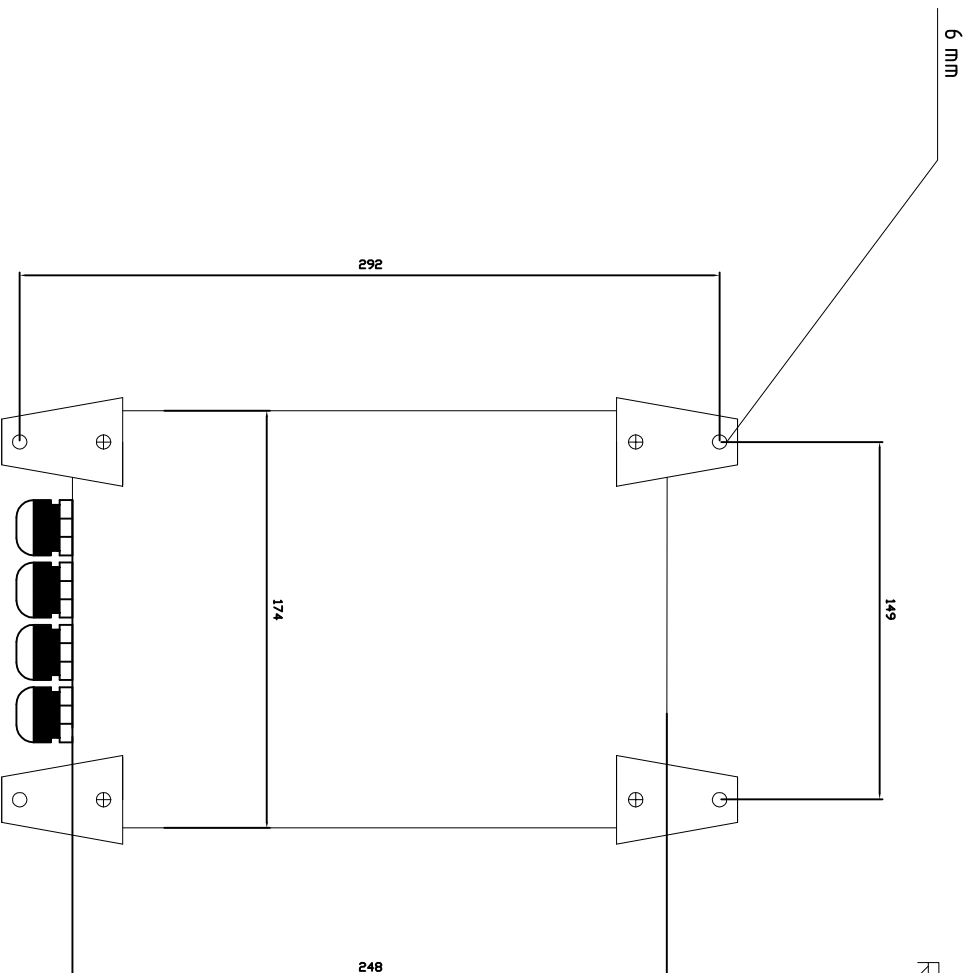



Page: 6 Of: 7 Scale: SAP NUMBER: 77120-003350	Project: FTO AUS-SWB 400-440V 1,6-2,5A 0,65-0,9KW		Job No.:	No.:	Date:	Revision:
	Desc: Cover View		Customer: NETAFIM Planner: M. RAZI Drawer: MALIK Engineer: M. RAZI	19.09.18	Income terminals update	

Drawing Date:



Rear view with hanging ears



 <p>NETAFIMTM GROW MORE WITH LESS</p>	Page: 7	Project:		Job No.:	No.:	Date:	Revision:
	Of: 7	FTO AUS-SWB 400-440V 1.6-2.5A 0.65-0.9KW		Customer: NETAFIM		19.09.18	Income terminals update
Scale:	SAP NUMBER: 77120-003350		Planner: M. RAZI				
Desc: Cover View		Drawer: MALIK	Engineer: M. RAZI				

Drawing Date:

0 1 2 3 4 5 6 7 8 9

F

E

D

C

B

A

F

E

D

C

B

A