

# 2" DUAL LITE MANUAL DISC FILTER

## INSTALLATION, OPERATION & MAINTENANCE INSTRUCTIONS

### FEATURES

- Reinforced polypropylene filter with three 2" male connections.
- Can be mounted inline or angled.
- Filter element consists of grooved discs, mounted on a spine, forming a cylindrical filter element.
- Clamp-on plastic filter cover.
- Resistant to chemicals and liquid fertilizers.
- Available filtration grades: 040, 080, 120, 140 and 200.



TECHNICAL DATA	
FLOW RANGE	40 - 110 GPM
MAXIMUM PRESSURE	115 psi
FILTERING SURFACE AREA	147 sq. in.
FILTERING VOLUME	75.7 cu. in.
LENGTH	16 5/16"
WIDTH	10 1/4"
WEIGHT	6.6 lbs.
DISTANCE BETWEEN ENDS	10 1/4"
INLET/OUTLET DIAMETER	2" Male
MAXIMUM TEMPERATURE	140° F
pH	2 - 13

MESH/MICRON		
MESH	MICRON	DISC COLOR
040	400	Blue
080	200	Yellow
120	130	Red
140	115	Black
200	55	Green

### INSTALLATION

1. Use Teflon tape on filter threads - Do Not Use Pipe Dope.
2. Ensure correct inlet/outlet direction.
3. When connecting filter to pipe, do not overtighten.

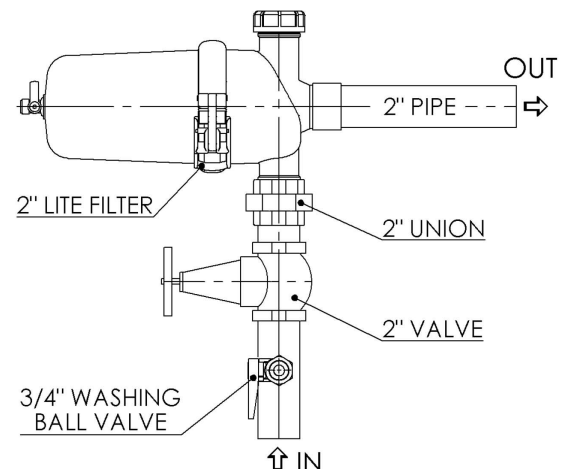
### MAINTENANCE AND CLEANING

#### DISMANTLING

1. Ensure system is turned off and no pressure remains in the pipeline or the filter.
2. Open clamp and remove filter cover from filter body.
3. Release the tightening nut slightly.
4. Pull out entire filter element.
5. Unscrew the tightening nut, pull out the spine extension and proceed with cleaning.

#### CLEANING

1. Flush discs with pressurized water.
2. If discs are not clean after flushing with water:
  - a. If the discs have an accumulation of algae in the grooves, soak the discs and spine in a small bucket of Clorox bleach for one hour and then reflush with fresh water.
  - b. If the discs have an accumulation of iron in the grooves, soak the discs and spine in a small bucket of 10% Muriatic Acid for one hour and then reflush with fresh water. Muriatic Acid can be purchased at any pool supply store.



## MAINTENANCE AND CLEANING

### ASSEMBLY

1. If previously removed, assemble rings on spine and turn fixing nut clockwise to tighten.
2. Insert filter element and make sure it is seated correctly.
3. Turn fixing nut clockwise to tighten the filter element.
4. Replace filter cover.
5. Close safety catch on the clamp, place clamp on closing edge and close the safety catch.

### WINTERIZATION

Drain all the water from the filter to avoid cracking due to freezing.

### PARTS BREAKDOWN - 2" DUAL LITE FILTER

KEY	MODEL NUMBER	DESCRIPTION	MATERIALS
1	25AP25110200	2" CAP	R.PA
2	25AP22120002	FILTER BODY	PP
3	25AP25070203	SPINE EXTENSION	PP
4	25AP20211-***	RING SET ONLY	PP
5	25AP25020202	SPINE (OUTER CAGE ONLY)	PP
6	25AP21261-***	RING SET WITH SPINE	PP
7	25AP22530235RA	PLASTIC CLAMOP	R.PA
8	25AP50032361	O-RING 2-361	EPDM
9	25AP25010202	FILTER COVER	PP
10	25AP50540212	1/2" TAP (BALL VALVE)	BRASS

Substitute \*\*\* for proper mesh size.

### MATERIALS KEY

CODE	MATERIAL
PP	POLYPROPYLENE
R.PA	REINFORCED POLYAMIDE
EPDM	ETH. PROPY. RUBBER

