

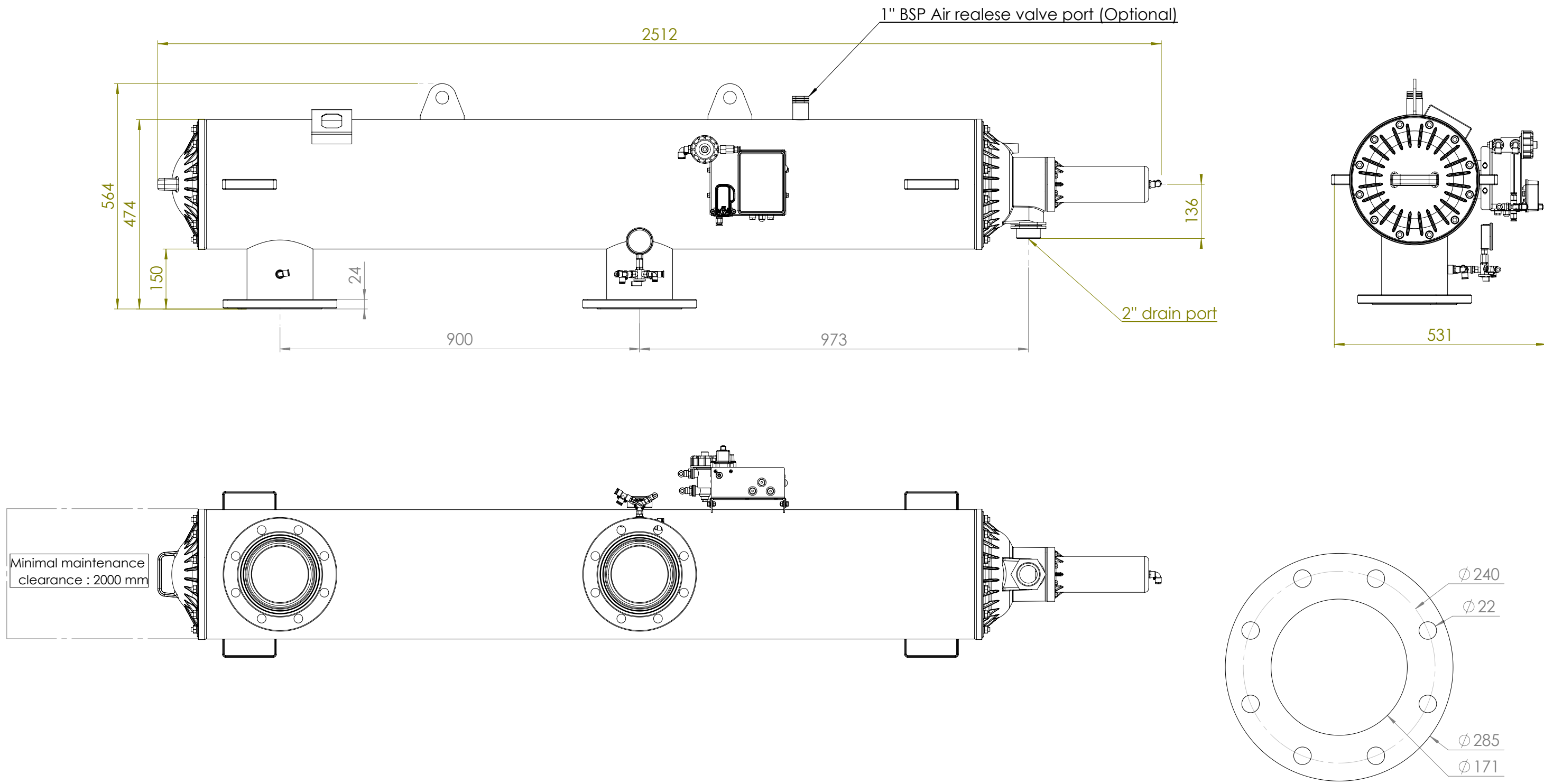


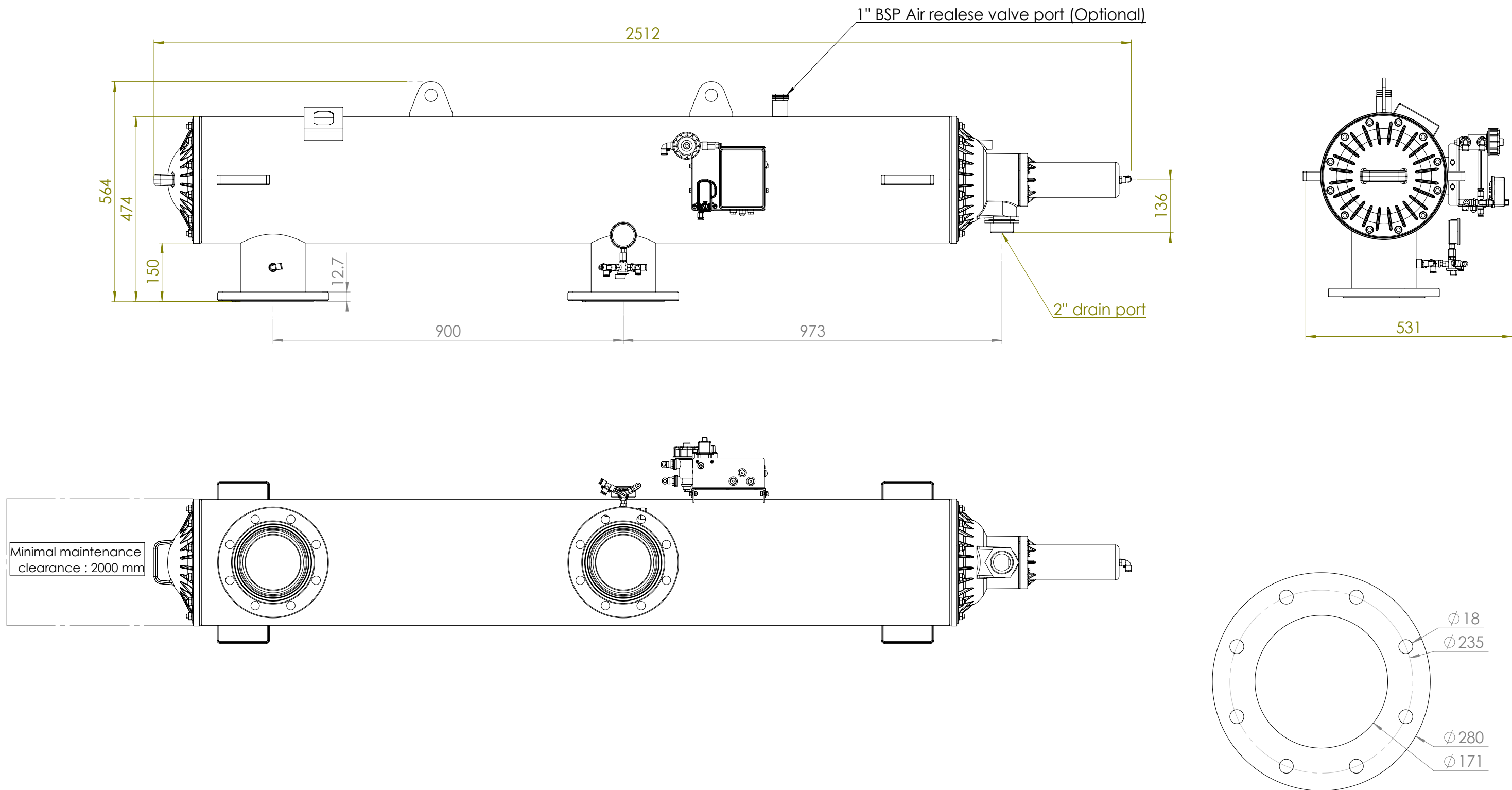
Material: ST37 / PA30		Project: Screen Guard		 <b>PROPRIETARY AND CONFIDENTIAL</b> THE INFORMATION CONTAINED IN THIS DRAWING IS THE SOLE PROPERTY OF NETAFIM. ANY REPRODUCTION IN PART OR AS A WHOLE WITHOUT THE WRITTEN PERMISSION OF NETAFIM IS PROHIBITED.																																																																	
Finish:		Subject: Automatic Screen filter																																																																			
Drawing No. N126883/1		Part Name: SGH 6S																																																																			
Part No.	Quantity: 1	General Tolerance According to ISO 2768-f																																																																			
3-D Proj. 		<table border="1"> <thead> <tr> <th colspan="8">LINEAR DIMENSIONS</th> <th colspan="5">ANGULAR DIMENSIONS</th> </tr> <tr> <th colspan="8">Permissible deviations in mm for ranges in nominal lengths</th> <th colspan="5">Permissible deviations in degrees and minutes for ranges in nominal lengths</th> </tr> <tr> <th>≥ 0.5</th> <th>&gt; 3</th> <th>&gt; 6</th> <th>&gt; 30</th> <th>&gt; 120</th> <th>&gt; 400</th> <th>&gt; 1000</th> <th>&gt; 2000</th> <th>≤ 10°</th> <th>&gt; 10°</th> <th>&gt; 50°</th> <th>&gt; 120°</th> <th>&gt; 400°</th> </tr> </thead> <tbody> <tr> <td>≤ 3</td> <td>≤ 6</td> <td>≤ 30</td> <td>≤ 120</td> <td>≤ 400</td> <td>≤ 1000</td> <td>≤ 2000</td> <td>≤ 4000</td> <td>± 1°</td> <td>± 0°30'</td> <td>± 0°20'</td> <td>± 0°10'</td> <td>± 0°5'</td> </tr> <tr> <td>+0.05</td> <td>+0.05</td> <td>+0.1</td> <td>+0.15</td> <td>+0.2</td> <td>+0.3</td> <td>+0.5</td> <td>-</td> <td></td> <td></td> <td></td> <td></td> <td></td> </tr> </tbody> </table>		LINEAR DIMENSIONS								ANGULAR DIMENSIONS					Permissible deviations in mm for ranges in nominal lengths								Permissible deviations in degrees and minutes for ranges in nominal lengths					≥ 0.5	> 3	> 6	> 30	> 120	> 400	> 1000	> 2000	≤ 10°	> 10°	> 50°	> 120°	> 400°	≤ 3	≤ 6	≤ 30	≤ 120	≤ 400	≤ 1000	≤ 2000	≤ 4000	± 1°	± 0°30'	± 0°20'	± 0°10'	± 0°5'	+0.05	+0.05	+0.1	+0.15	+0.2	+0.3	+0.5	-						Drawn By: a21434 16 May 2018 Checked By: QA Sheet: 1 Of: 4 Rev: -
LINEAR DIMENSIONS								ANGULAR DIMENSIONS																																																													
Permissible deviations in mm for ranges in nominal lengths								Permissible deviations in degrees and minutes for ranges in nominal lengths																																																													
≥ 0.5	> 3	> 6	> 30	> 120	> 400	> 1000	> 2000	≤ 10°	> 10°	> 50°	> 120°	> 400°																																																									
≤ 3	≤ 6	≤ 30	≤ 120	≤ 400	≤ 1000	≤ 2000	≤ 4000	± 1°	± 0°30'	± 0°20'	± 0°10'	± 0°5'																																																									
+0.05	+0.05	+0.1	+0.15	+0.2	+0.3	+0.5	-																																																														
Sheet Size: A3	Scale: 1:20	File Name: SGH6S installation dimensions.sldrw																																																																			



Minimal maintenance clearance : 2000 mm

REV.	DESCRIPTION	DATE	APPROVED																
Material:	ST37 / PA30	Project:	Screen Guard																
Finish:		Subject:	Automatic Screen Filter																
Drawing No.	N126883/1	Part Name:	SGH 6S ISO PN10																
Part No.	Quantity:	General Tolerance According to ISO 2768-f																	
	1																		
3-D Proj.	Sheet Size:	Permissible deviations in mm for ranges in nominal lengths																	
⊕	A3	<table border="1"> <tr> <td>≥ 0.5</td> <td>&gt; 3</td> <td>&gt; 6</td> <td>&gt; 30</td> <td>&gt; 120</td> <td>&gt; 400</td> <td>&gt; 1000</td> <td>&gt; 2000</td> </tr> <tr> <td>± 0.05</td> <td>± 0.05</td> <td>± 0.1</td> <td>± 0.15</td> <td>± 0.2</td> <td>± 0.3</td> <td>± 0.5</td> <td>-</td> </tr> </table>		≥ 0.5	> 3	> 6	> 30	> 120	> 400	> 1000	> 2000	± 0.05	± 0.05	± 0.1	± 0.15	± 0.2	± 0.3	± 0.5	-
≥ 0.5	> 3	> 6	> 30	> 120	> 400	> 1000	> 2000												
± 0.05	± 0.05	± 0.1	± 0.15	± 0.2	± 0.3	± 0.5	-												
	Scale:	Permissible deviations in degrees and minutes for ranges in nominal lengths																	
	1:20	<table border="1"> <tr> <td>≤ 10°</td> <td>&gt; 10°</td> <td>&gt; 50°</td> <td>&gt; 120°</td> <td>&gt; 400°</td> </tr> <tr> <td>± 1°</td> <td>± 0°30'</td> <td>± 0°20'</td> <td>± 0°10'</td> <td>± 0°5'</td> </tr> </table>		≤ 10°	> 10°	> 50°	> 120°	> 400°	± 1°	± 0°30'	± 0°20'	± 0°10'	± 0°5'						
≤ 10°	> 10°	> 50°	> 120°	> 400°															
± 1°	± 0°30'	± 0°20'	± 0°10'	± 0°5'															
File Name: SGH6S installation dimensions.sldrw		Drawn By:	a21434 16 May 2018																
		Checked By:	QA																
		Sheet:	2 Of: 4 Rev. -																

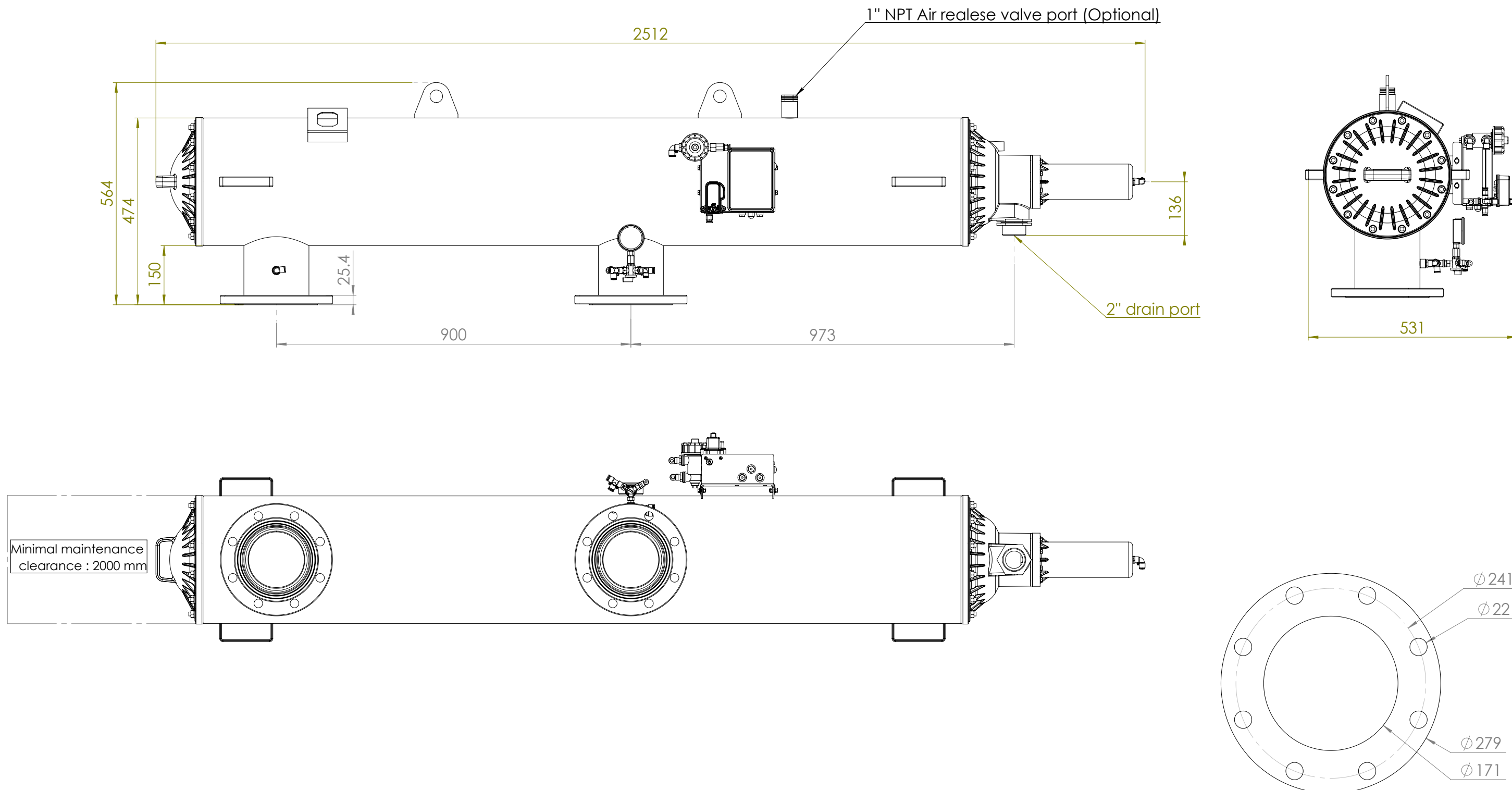
**NETAFIM™**  
 PROPRIETARY AND CONFIDENTIAL  
 THE INFORMATION CONTAINED IN THIS DRAWING IS THE SOLE PROPERTY OF NETAFIM. ANY REPRODUCTION IN PART OR AS A WHOLE WITHOUT THE WRITTEN PERMISSION OF NETAFIM IS PROHIBITED.



REV.	DESCRIPTION	DATE	APPROVED																																																
Material:	ST37 / PA30	Project:	Screen Guard																																																
Finish:		Subject:	Automatic Screen Filter																																																
Drawing No.	N126883/1	Part Name:	SGH 6S BSTD																																																
Part No.	Quantity:	General Tolerance According to ISO 2768-f																																																	
	1	<table border="0"> <tr> <th colspan="6">LINEAR DIMENSIONS</th> <th colspan="5">ANGULAR DIMENSIONS</th> </tr> <tr> <td colspan="6">Permissible deviations in mm for ranges in nominal lengths</td> <td colspan="5">Permissible deviations in degrees and minutes for ranges in nominal lengths</td> </tr> <tr> <td>≥ 0.5</td> <td>&gt; 3</td> <td>&gt; 6</td> <td>&gt; 30</td> <td>&gt; 120</td> <td>&gt; 400</td> <td>&gt; 1000</td> <td>&gt; 2000</td> <td>≤ 10°</td> <td>&gt; 10°</td> <td>&gt; 50°</td> <td>&gt; 120°</td> <td>&gt; 400°</td> </tr> <tr> <td>± 0.05</td> <td>± 0.05</td> <td>± 0.1</td> <td>± 0.15</td> <td>± 0.2</td> <td>± 0.3</td> <td>± 0.5</td> <td>-</td> <td>± 1°</td> <td>± 0°30'</td> <td>± 0°20'</td> <td>± 0°10'</td> <td>± 0°5'</td> </tr> </table>		LINEAR DIMENSIONS						ANGULAR DIMENSIONS					Permissible deviations in mm for ranges in nominal lengths						Permissible deviations in degrees and minutes for ranges in nominal lengths					≥ 0.5	> 3	> 6	> 30	> 120	> 400	> 1000	> 2000	≤ 10°	> 10°	> 50°	> 120°	> 400°	± 0.05	± 0.05	± 0.1	± 0.15	± 0.2	± 0.3	± 0.5	-	± 1°	± 0°30'	± 0°20'	± 0°10'	± 0°5'
LINEAR DIMENSIONS						ANGULAR DIMENSIONS																																													
Permissible deviations in mm for ranges in nominal lengths						Permissible deviations in degrees and minutes for ranges in nominal lengths																																													
≥ 0.5	> 3	> 6	> 30	> 120	> 400	> 1000	> 2000	≤ 10°	> 10°	> 50°	> 120°	> 400°																																							
± 0.05	± 0.05	± 0.1	± 0.15	± 0.2	± 0.3	± 0.5	-	± 1°	± 0°30'	± 0°20'	± 0°10'	± 0°5'																																							
3-D Proj.	Sheet Size:	Scale:	<table border="0"> <tr> <td>⊕</td> <td>A3</td> <td>1:20</td> <td>QA</td> <td>Sheet: 3</td> <td>Of: 4</td> <td>Rev. -</td> </tr> </table>					⊕	A3	1:20	QA	Sheet: 3	Of: 4	Rev. -																																					
⊕	A3	1:20	QA	Sheet: 3	Of: 4	Rev. -																																													
File Name: SGH6S installation dimensions.sldrw			<p>DESIGNED BY</p> <p>DRAWN BY</p> <p>CHECKED BY</p> <p>DATE</p>																																																
			<p>DESIGNED BY</p> <p>DRAWN BY</p> <p>CHECKED BY</p> <p>DATE</p>																																																



**PROPRIETARY AND CONFIDENTIAL**  
 THE INFORMATION CONTAINED IN THIS DRAWING IS THE SOLE PROPERTY OF NETAFIM. ANY REPRODUCTION IN PART OR AS A WHOLE WITHOUT THE WRITTEN PERMISSION OF NETAFIM IS PROHIBITED.



REV.	DESCRIPTION	DATE	APPROVED																																																
Material:	ST37 / PA30	Project:	Screen Guard																																																
Finish:		Subject:	Automatic Screen Filter																																																
Drawing No.	N126883/1	Part Name:	SGH 6S ASME																																																
Part No.	Quantity:	General Tolerance According to ISO 2768-f																																																	
	1	<table border="0"> <tr> <th colspan="6">LINEAR DIMENSIONS</th> <th colspan="5">ANGULAR DIMENSIONS</th> </tr> <tr> <td colspan="6">Permissible deviations in mm for ranges in nominal lengths</td> <td colspan="5">Permissible deviations in degrees and minutes for ranges in nominal lengths</td> </tr> <tr> <td>≥ 0.5</td> <td>&gt; 3</td> <td>&gt; 6</td> <td>&gt; 30</td> <td>&gt; 120</td> <td>&gt; 400</td> <td>&gt; 1000</td> <td>&gt; 2000</td> <td>≤ 10°</td> <td>&gt; 10°</td> <td>&gt; 50°</td> <td>&gt; 120°</td> <td>&gt; 400°</td> </tr> <tr> <td>± 0.05</td> <td>± 0.05</td> <td>± 0.1</td> <td>± 0.15</td> <td>± 0.2</td> <td>± 0.3</td> <td>± 0.5</td> <td>-</td> <td>± 1°</td> <td>± 0°30'</td> <td>± 0°20'</td> <td>± 0°10'</td> <td>± 0°5'</td> </tr> </table>		LINEAR DIMENSIONS						ANGULAR DIMENSIONS					Permissible deviations in mm for ranges in nominal lengths						Permissible deviations in degrees and minutes for ranges in nominal lengths					≥ 0.5	> 3	> 6	> 30	> 120	> 400	> 1000	> 2000	≤ 10°	> 10°	> 50°	> 120°	> 400°	± 0.05	± 0.05	± 0.1	± 0.15	± 0.2	± 0.3	± 0.5	-	± 1°	± 0°30'	± 0°20'	± 0°10'	± 0°5'
LINEAR DIMENSIONS						ANGULAR DIMENSIONS																																													
Permissible deviations in mm for ranges in nominal lengths						Permissible deviations in degrees and minutes for ranges in nominal lengths																																													
≥ 0.5	> 3	> 6	> 30	> 120	> 400	> 1000	> 2000	≤ 10°	> 10°	> 50°	> 120°	> 400°																																							
± 0.05	± 0.05	± 0.1	± 0.15	± 0.2	± 0.3	± 0.5	-	± 1°	± 0°30'	± 0°20'	± 0°10'	± 0°5'																																							
3-D Proj.	Sheet Size:	Scale:	<table border="0"> <tr> <td>⊕</td> <td>A3</td> <td>1:20</td> <td>QA</td> <td>Sheet: 4</td> <td>Of: 4</td> <td>Rev. -</td> </tr> </table>		⊕	A3	1:20	QA	Sheet: 4	Of: 4	Rev. -																																								
⊕	A3	1:20	QA	Sheet: 4	Of: 4	Rev. -																																													
File Name: SGH6S installation dimensions.sldrw			<p><b>NETAFIM™</b></p> <p><b>PROPRIETARY AND CONFIDENTIAL</b> THE INFORMATION CONTAINED IN THIS DRAWING IS THE SOLE PROPERTY OF NETAFIM. ANY REPRODUCTION IN PART OR AS A WHOLE WITHOUT THE WRITTEN PERMISSION OF NETAFIM IS PROHIBITED.</p> <p>Designed By: _____            Drawn By: a21434    16 May 2018            Checked By: _____</p>																																																