
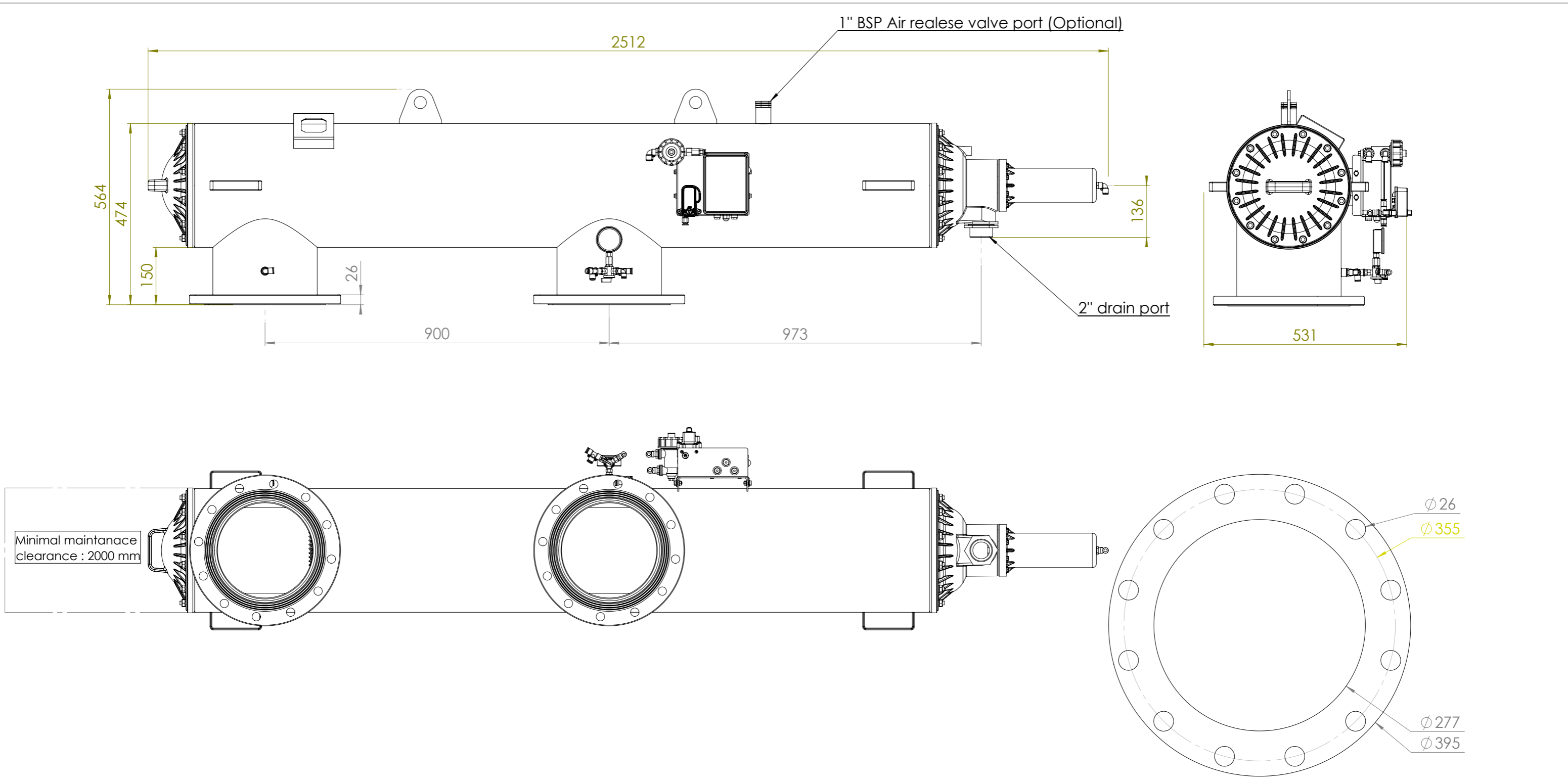


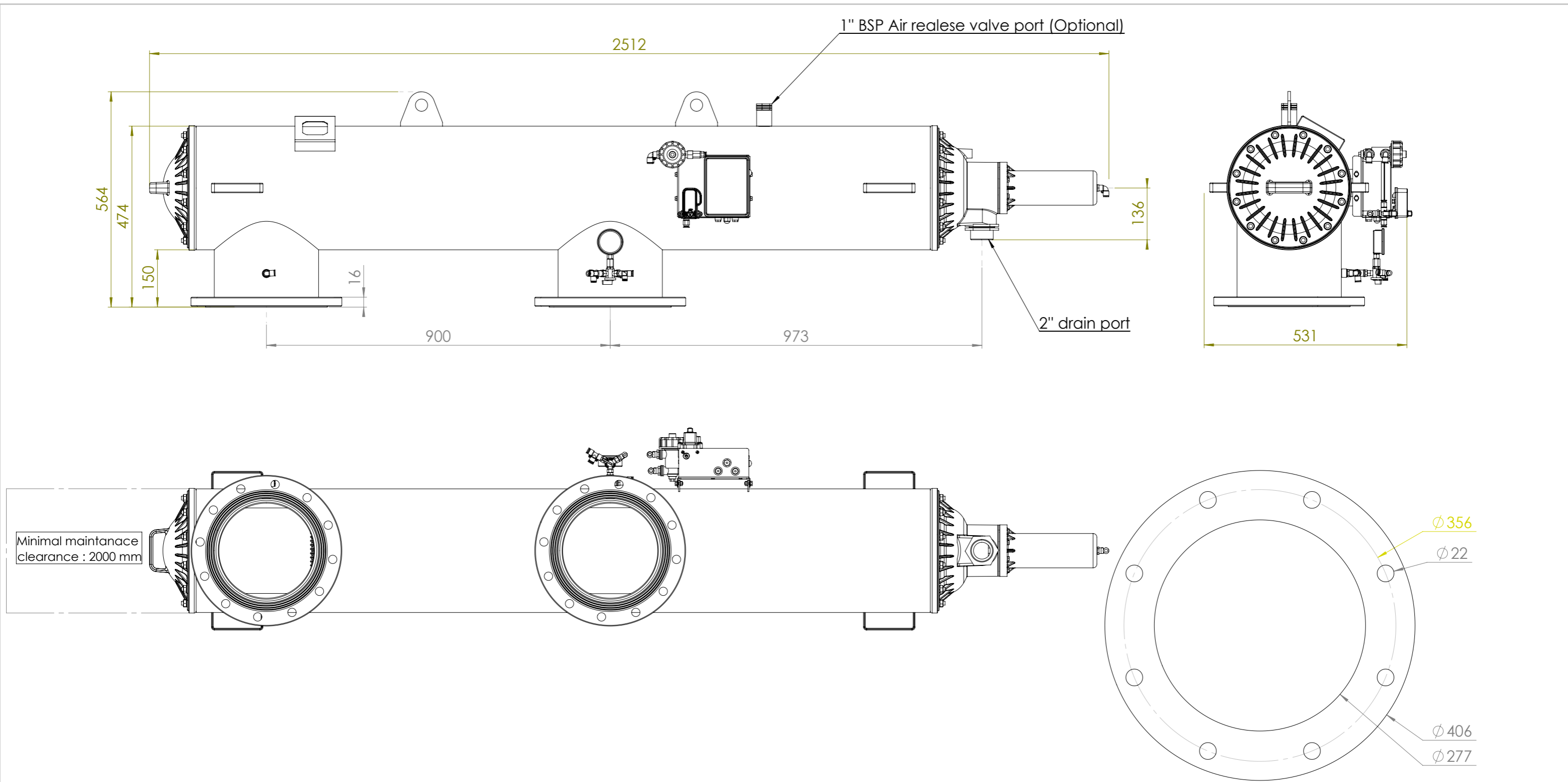
Material: ST37 / PA30		Project: Screen Guard		 <b>PROPRIETARY AND CONFIDENTIAL</b> THE INFORMATION CONTAINED IN THIS DRAWING IS THE SOLE PROPERTY OF NETAFIM. ANY REPRODUCTION IN PART OR AS A WHOLE WITHOUT THE WRITTEN PERMISSION OF NETAFIM IS PROHIBITED.																																		
Finish:		Subject: Automatic Screen filter																																				
Drawing No. N126878/1		Part Name: SGH 10																																				
Part No. A-29225-020518		Quantity: 1																																				
General Tolerance According to ISO 2768-f LINEAR DIMENSIONS Permissible deviations in mm for ranges in nominal lengths <table border="1"> <tr> <td>≥ 0.5</td> <td>&gt; 3</td> <td>&gt; 6</td> <td>&gt; 30</td> <td>&gt; 120</td> <td>&gt; 400</td> <td>&gt; 1000</td> <td>&gt; 2000</td> </tr> <tr> <td>≤ 3</td> <td>≤ 6</td> <td>≤ 30</td> <td>≤ 120</td> <td>≤ 400</td> <td>≤ 1000</td> <td>≤ 2000</td> <td>≤ 4000</td> </tr> <tr> <td>+0.05</td> <td>+0.05</td> <td>+0.1</td> <td>+0.15</td> <td>+0.2</td> <td>+0.3</td> <td>+0.5</td> <td>-</td> </tr> </table>				≥ 0.5	> 3	> 6	> 30	> 120	> 400	> 1000	> 2000	≤ 3	≤ 6	≤ 30	≤ 120	≤ 400	≤ 1000	≤ 2000	≤ 4000	+0.05	+0.05	+0.1	+0.15	+0.2	+0.3	+0.5	-	ANGULAR DIMENSIONS Permissible deviations in degrees and minutes for ranges in nominal lengths <table border="1"> <tr> <td>≤ 10</td> <td>&gt; 10</td> <td>&gt; 50</td> <td>&gt; 120</td> <td>&gt; 400</td> </tr> <tr> <td>±1°</td> <td>±0°30'</td> <td>±0°20'</td> <td>±0°10'</td> <td>±0°5'</td> </tr> </table>	≤ 10	> 10	> 50	> 120	> 400	±1°	±0°30'	±0°20'	±0°10'	±0°5'
≥ 0.5	> 3	> 6	> 30	> 120	> 400	> 1000	> 2000																															
≤ 3	≤ 6	≤ 30	≤ 120	≤ 400	≤ 1000	≤ 2000	≤ 4000																															
+0.05	+0.05	+0.1	+0.15	+0.2	+0.3	+0.5	-																															
≤ 10	> 10	> 50	> 120	> 400																																		
±1°	±0°30'	±0°20'	±0°10'	±0°5'																																		
3-D Proj.	Sheet Size: A3	Scale: 1:20	Drawn By a21434 16 May 2018 Checked By QA Sheet: 1 Of: 4 Rev: -																																			
File Name: SGH10 installation dimensions.sldrw																																						



REV.	DESCRIPTION	DATE	APPROVED
Material:	ST37 / PA30	Project:	Screen Guard
Finish:		Subject:	Automatic Screen Filter
Drawing No.	N126878/1	Part Name:	SGH 10 ISO PN16
Part No.	A-29225-020518	Quantity:	1
3-D Proj.		Sheet Size:	A3
Scale:		1:20	
General Tolerance According to ISO 2768-f		ANGULAR DIMENSIONS	
LINEAR DIMENSIONS		Permissible deviations in degrees and minutes	
Permissible deviations in mm for ranges in nominal lengths		for ranges in nominal lengths	
$\geq 0.5$	$> 3$	$> 6$	$> 30$
$\leq 3$	$\leq 6$	$\leq 30$	$\leq 120$
$\pm 0.05$	$\pm 0.05$	$\pm 0.1$	$\pm 0.15$
$\leq 1000$	$\leq 400$	$\leq 1000$	$\leq 2000$
$\leq 2000$	$\leq 4000$	$\leq 2000$	$\leq 4000$
$\pm 1^\circ$	$\pm 0^\circ 30'$	$\pm 0^\circ 20'$	$\pm 0^\circ 10'$
$\pm 0^\circ 5'$			
Designed By	a21434	02 May 2018	
Drawn By	a21434	16 May 2018	
Checked By			
QA			
Sheet:	2	Of:	4
Rev.:			-

**NETAFIM™**  
 PROPRIETARY AND CONFIDENTIAL  
 THE INFORMATION CONTAINED IN THIS  
 DRAWING IS THE SOLE PROPERTY OF  
 NETAFIM. ANY REPRODUCTION IN PART  
 OR AS A WHOLE WITHOUT THE WRITTEN  
 PERMISSION OF NETAFIM IS PROHIBITED.

File Name: SGH10 installation dimensions.sldrw

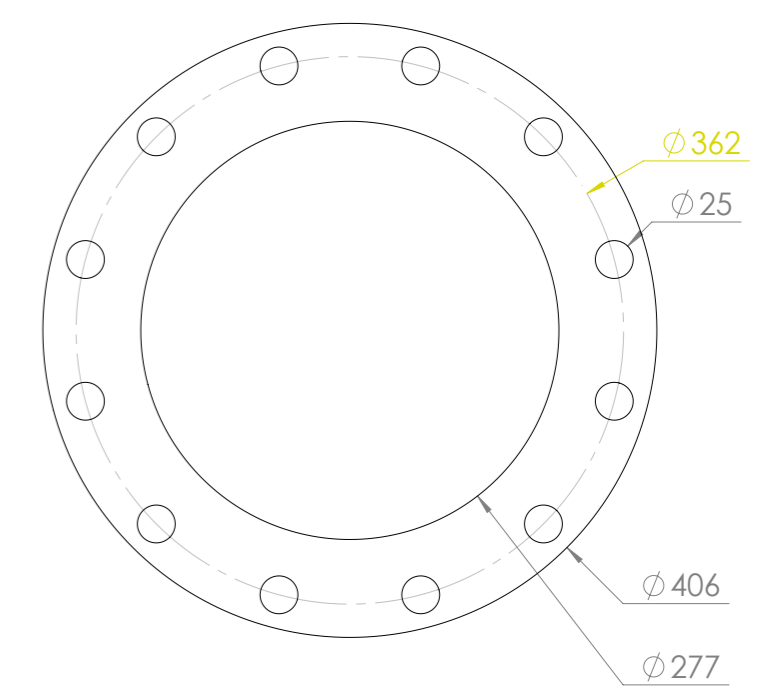
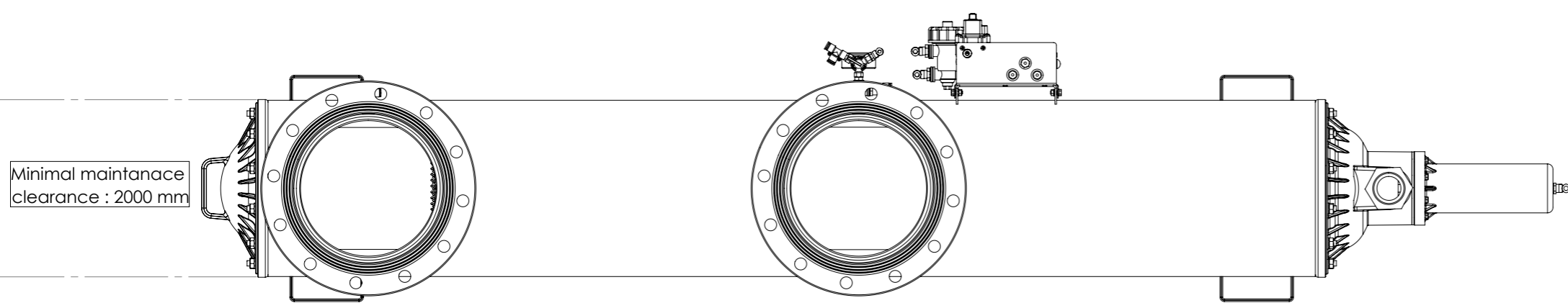
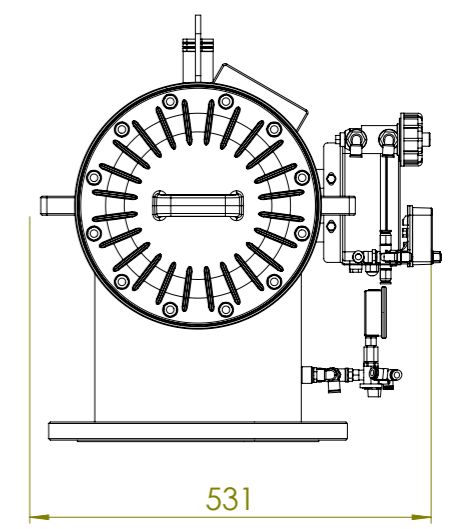
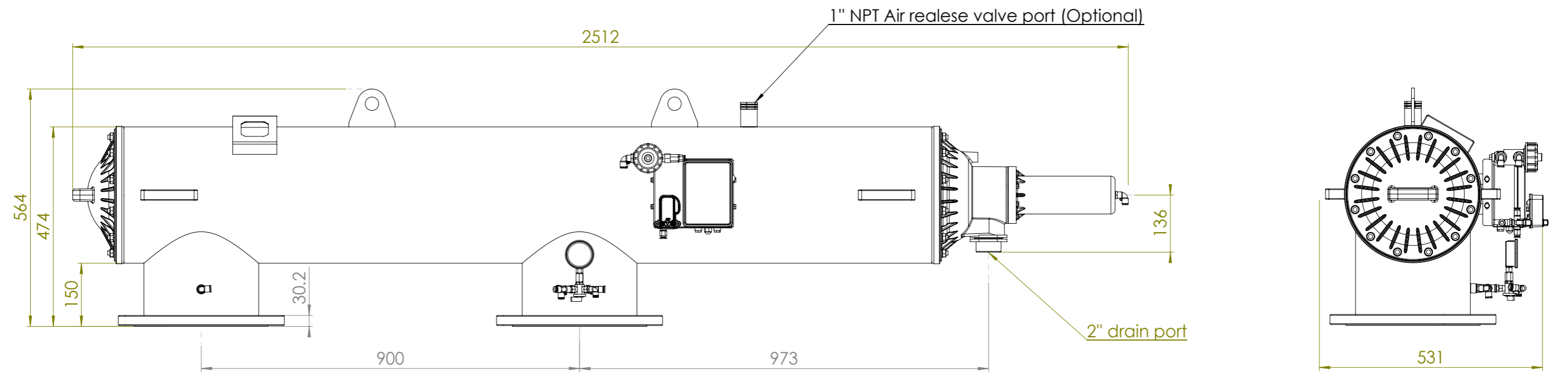


REV.	DESCRIPTION	DATE	APPROVED
Material:	ST37 / PA30	Project:	Screen Guard
Finish:		Subject:	Automatic Screen Filter
Drawing No.	N126878/1	Part Name:	SGH 10 BSTD
Part No.	A-29225-020518	Quantity:	1
3-D Proj.		Sheet Size:	A3
Scale:		1:20	
General Tolerance According to ISO 2768-f			
LINEAR DIMENSIONS			
Permissible deviations in mm for ranges in nominal lengths			
≥ 0.5	> 3	> 6	> 30
≤ 3	≤ 6	≤ 30	≤ 120
+0.05	+0.05	+0.1	+0.15
> 400	> 1000	> 2000	> 4000
+0.2	+0.3	+0.5	-
ANGULAR DIMENSIONS			
Permissible deviations in degrees and minutes for ranges in nominal lengths			
≤ 10°	> 10°	> 50°	> 120°
±1°	±0°30'	±0°20'	±0°10'
±0°5'	±0°10'	±0°5'	±0°5'
Designed By	a21434	02 May 2018	
Drawn By	a21434	16 May 2018	
Checked By			
QA			
Sheet:	3	Of:	4
Rev.:			-



PROPRIETARY AND CONFIDENTIAL  
 THE INFORMATION CONTAINED IN THIS DRAWING IS THE SOLE PROPERTY OF NETAFIM. ANY REPRODUCTION IN PART OR AS A WHOLE WITHOUT THE WRITTEN PERMISSION OF NETAFIM IS PROHIBITED.

File Name: SGH10 installation dimensions.slddrw



REV.	DESCRIPTION	DATE	APPROVED
Material:	ST37 / PA30	Project:	Screen Guard
Finish:		Subject:	Automatic Screen Filter
Drawing No.	N126878/1	Part Name:	SGH 10 ASME B16.5 class 150
Part No.	A-29225-020518	Quantity:	1
General Tolerance According to ISO 2768-f		Drawn By:	a21434
LINEAR DIMENSIONS		Checked By:	
ANGULAR DIMENSIONS		QA	
Permissible deviations in mm for ranges in nominal lengths		Sheet:	4
Permissible deviations in degrees and minutes for ranges in nominal lengths		Of:	4
File Name: SGH10 installation dimensions.sldrw		Rev.:	-

**NETAFIM™**  
 PROPRIETARY AND CONFIDENTIAL  
 THE INFORMATION CONTAINED IN THIS DRAWING IS THE SOLE PROPERTY OF NETAFIM. ANY REPRODUCTION IN PART OR AS A WHOLE WITHOUT THE WRITTEN PERMISSION OF NETAFIM IS PROHIBITED.  
 Designed By: a21434 02 May 2018  
 Drawn By: a21434 16 May 2018