

SAP DESCRIPTION:

NC 480308 S

SKU No.

Maximum Flow Rate: 1122 GPM

Recommended Flow Rate: 924 GPM

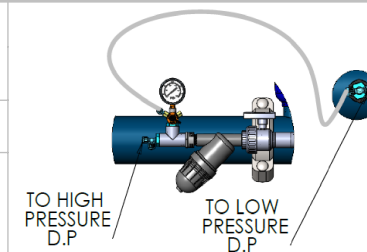
Inlet Pressure: 115 PSI

Sheet Size:

A4

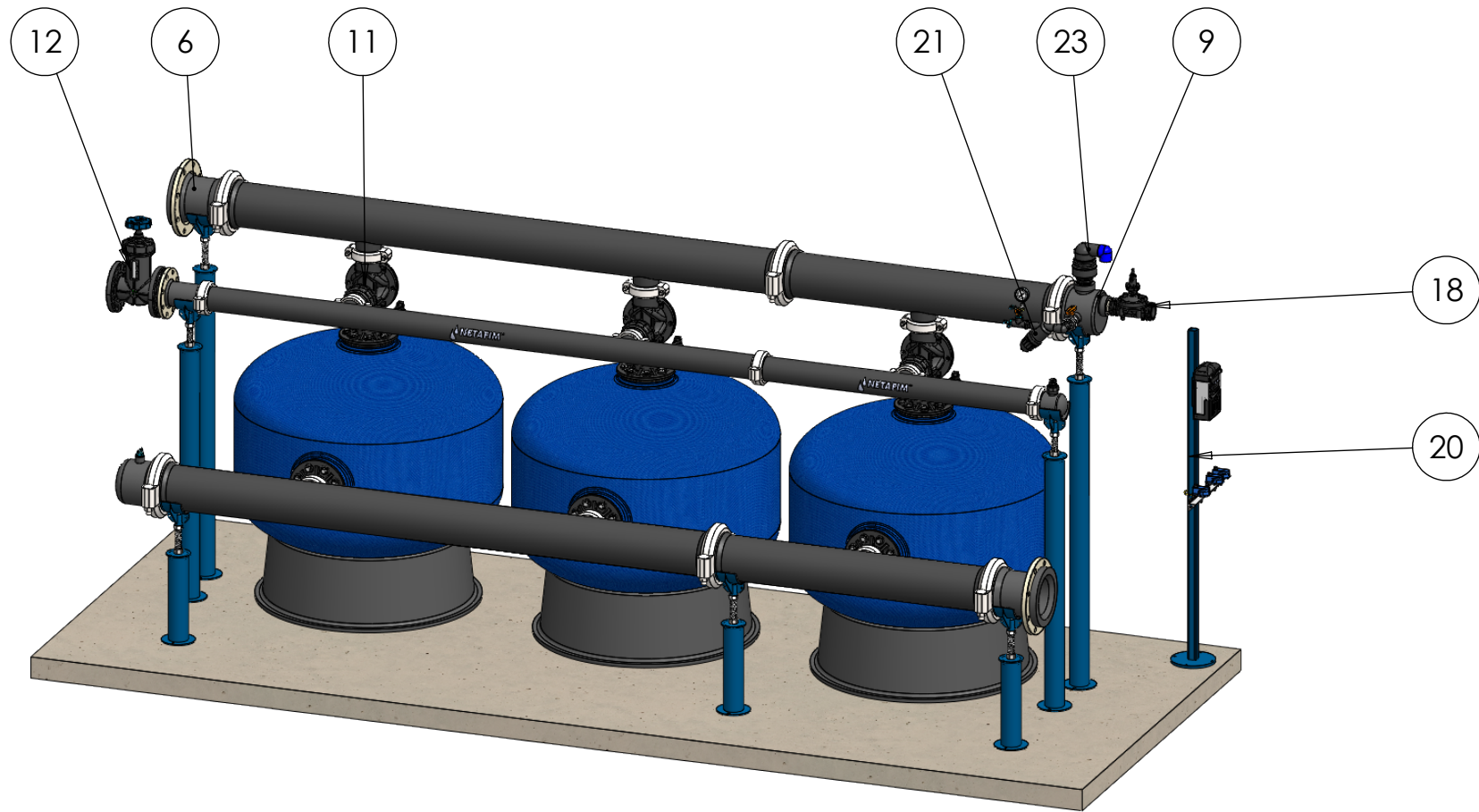
Scale:

1:25



PROPRIETARY AND CONFIDENTIAL
THE INFORMATION CONTAINED IN THIS DRAWING IS THE SOLE PROPERTY OF NETAFIM. ANY REPRODUCTION IN PART OR AS A WHOLE WITHOUT THE WRITTEN PERMISSION OF NETAFIM IS PROHIBITED

Designed By		
Drawn By	KEREM	04/03/2020
Checked By		
QA		
Sheet: 1	Of: 3	Rev. -



SAP DESCRIPTION:

NC 480308 S

SKU No.

Maximum Flow Rate: 1122 GPM

Recommended Flow Rate: 924 GPM

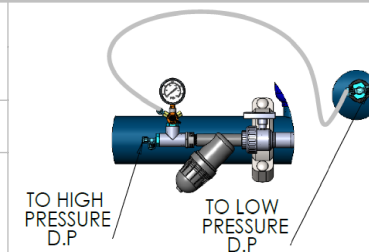
Inlet Pressure: 115 PSI

Sheet Size:

A4

Scale:

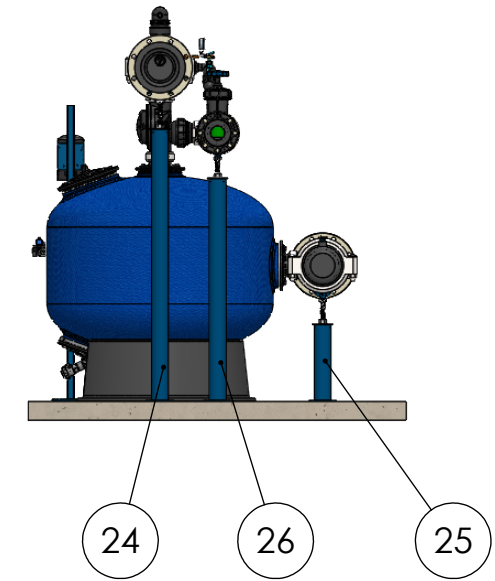
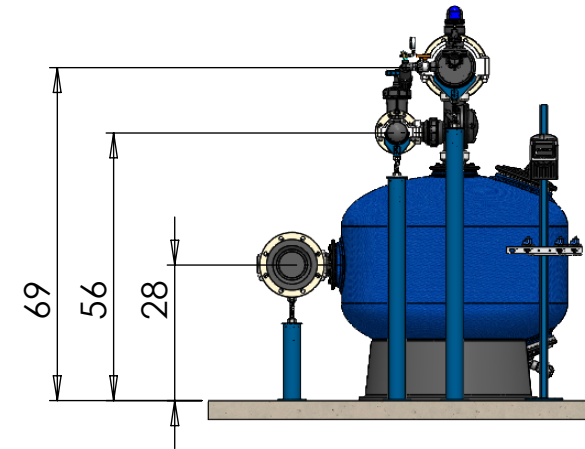
1:30



PROPRIETARY AND CONFIDENTIAL
 THE INFORMATION CONTAINED IN THIS DRAWING IS THE SOLE PROPERTY OF NETAFIM. ANY REPRODUCTION IN PART OR AS A WHOLE WITHOUT THE WRITTEN PERMISSION OF NETAFIM IS PROHIBITED

Designed By		
Drawn By	KEREM	04/03/2020
Checked By		
QA		
Sheet: 2	Of: 3	Rev. -

ITEM NO.	SAP Description	SAP Cat. No.	QTY.
1	SANDSTROM NC TANK 48"X4" VIC	71920-003210	3
2	PE MAN 8"*2 OUT*4" VIC F/48" TANK	71920-002070	2
3	PE MAN 8"*1 OUT*4" VIC F/48" TANK	71920-002060	2
4	PE BF MAN 4"*2 OUT*3" VIC F/48" TANK	71920-002030	1
5	PE BF MAN 4"*1 OUT*3" VIC F/48" TANK	71920-002020	1
6	PE STUB END 8" W/O FLANGE	71920-002315	2
7	PE STUB END 4" W/O FLANGE extended	71920-002305	1
8	PE CAP 4" VIC	71920-002405	1
9	PE CAP 8"VIC W/1 OUT 3/4"BSP+2 OUT 2"BSP	71920-002508	1
10	PE CAP 8" VIC W/1 OUT 3/4" BSP	71920-002509	1
11	DOROT BF valve 4"*3"*4" vic vic vic	71600-006595	3
12	4" THROTTLE VALVE FLANGED TYPE F/BF MAN	71920-000110	1
13	VICTAULIC COUPLING 3" ONE BOLT	71910-002501	3
14	VICTAULIC COUPLING 4" ONE BOLT	71910-002502	12
15	VICTAULIC COUPLING 8" TWO BOLT	71910-002504	6
16	LOOSE FLANGE PP ANSI 225X8"	75090-012435	2
17	LOOSE FLANGE PP ANSI 110X4"	75090-012415	1
18	S75PL H 2" QRV NPT PP 3WNC R	71600-002338	1
19	Plastic Nipple 2" BSP	75090-012457	1
20	Control stand + controller + Aquative bracket		1
21	CONTROL KIT FOR MEDIA FILTER - BSP	37090-009600	1
22	L.P. Check point (part of control kit)		1
23	BARAK PLASTIC BASE 2 GD-010(NPT)	70561-001500	1
24	SUPPORT LEG 8"X1440 FOR NC	71920-003050	2
25	SUPPORT LEG 8"X410 FOR NC	71920-003040	3
26	SUPPORT LEG 4"X1180 FOR NC	71920-003010	2



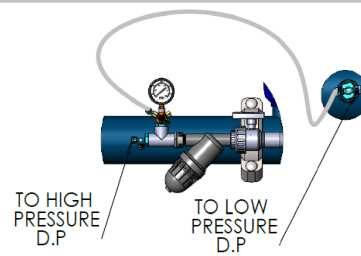
SAP DESCRIPTION:
NC 480308 S

SKU No.

Maximum Flow Rate: 1122 GPM
Recommended Flow Rate: 924 GPM

Inlet Pressure: 115 PSI

Sheet Size: A4
Scale: 1:40



NETAFIM™

PROPRIETARY AND CONFIDENTIAL
THE INFORMATION CONTAINED IN THIS DRAWING IS THE SOLE PROPERTY OF NETAFIM. ANY REPRODUCTION IN PART OR AS A WHOLE WITHOUT THE WRITTEN PERMISSION OF NETAFIM IS PROHIBITED

Designed By		
Drawn By	KEREM	04/03/2020
Checked By		
QA		
Sheet: 3	Of: 3	Rev. -