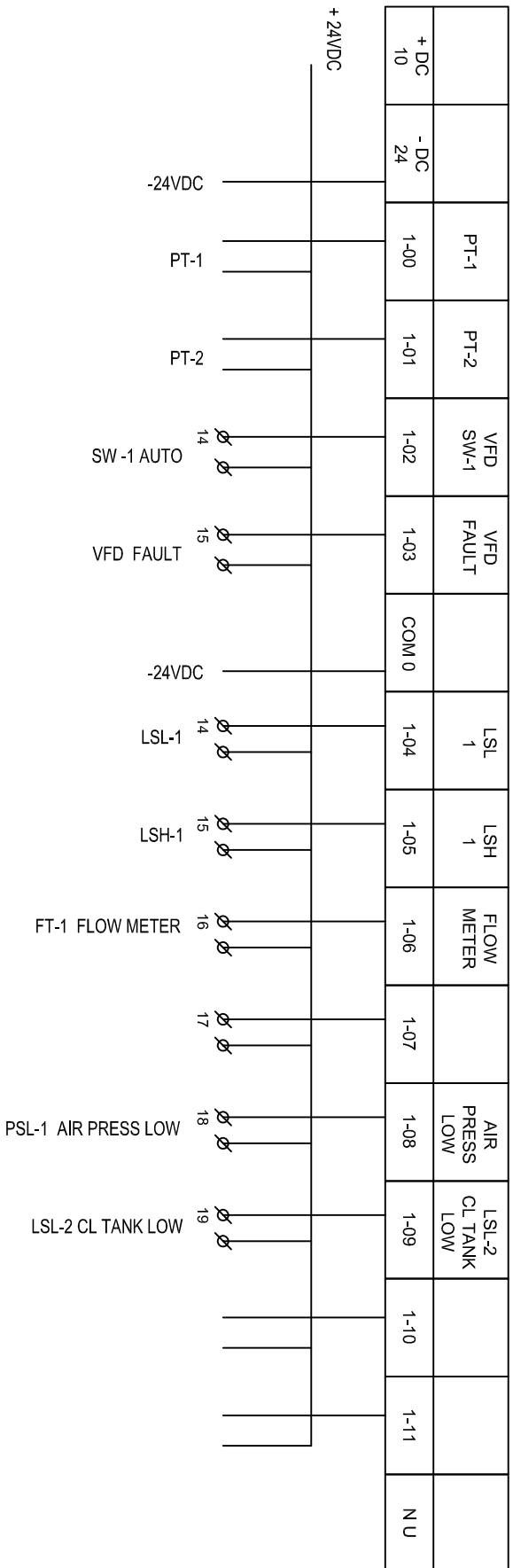


DI DIAGRAM

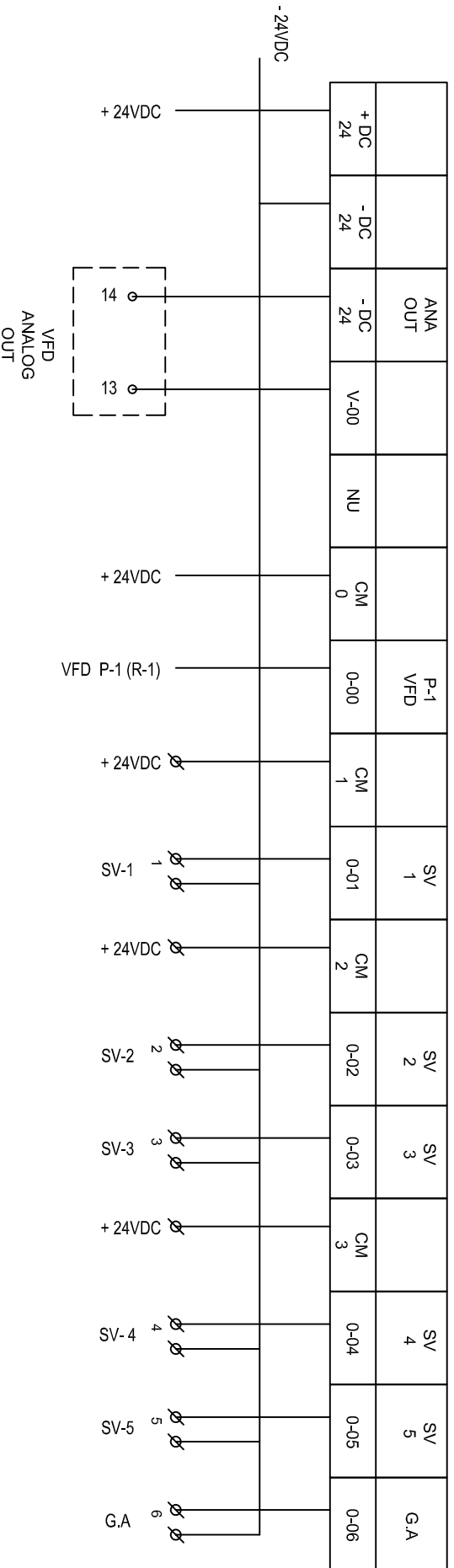
AB-2080-LC20-20QWB



| | | | |
|--|----------------|--|--------------------|
| MAKE CHANGE SPECIFIED DIMENSIONS ARE IN MILLIMETERS UNLESS OTHERWISE SPECIFIED | | DATE: _____ DRAWN BY: _____ CHECKED BY: _____ DESIGNED BY: _____ APPROVED BY: _____ DATE: _____ | |
| PROJECT NO. SHEET NO. | TITLE SCALE | DRAWN BY DATE | CHECKED BY DATE |
| 2MCM 02_h-1 | | DI DIAGRAM | |
| SHEET 1 OF 2 | | A2 | |

DO DIAGRAM SLOT 0

AB-2080-LC20-20QWB



| | | | |
|--------------------------|--|--------------------|--|
| DATE: 02/14/2010 | | DRAWN BY: J. BROWN | |
| CHECKED BY: J. BROWN | | DATE: 02/14/2010 | |
| SCALE: 1:1 | | SHEET 1 OF 2 | |
| TITLE: DO DIAGRAM SLOT 0 | | REVISION: 1 | |
| PROJECT: 2MCM 02-h-1 | | DRAWN BY: J. BROWN | |
| DATE: 02/14/2010 | | SCALE: 1:1 | |
| SHEET 1 OF 2 | | A2 | |

