
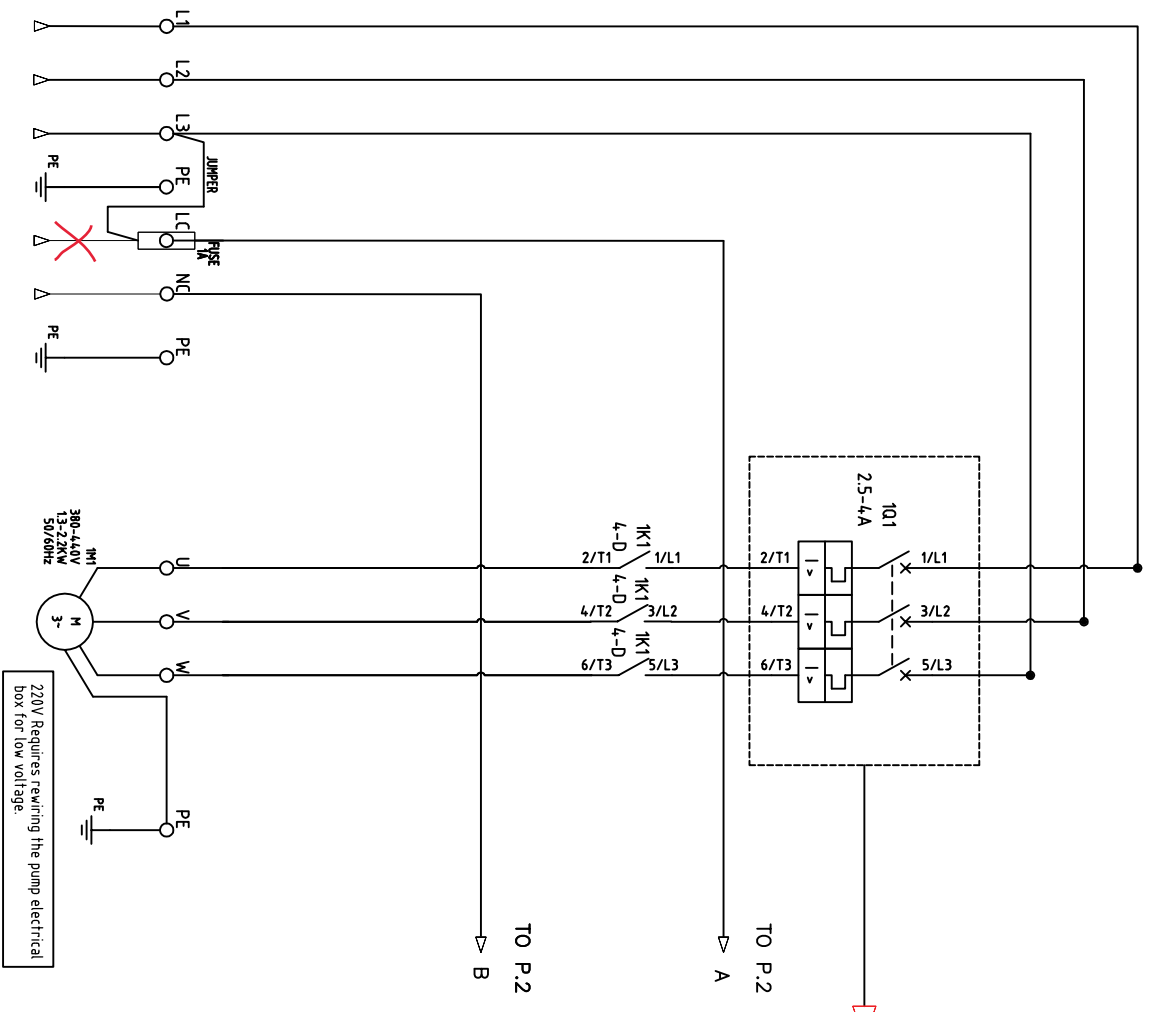
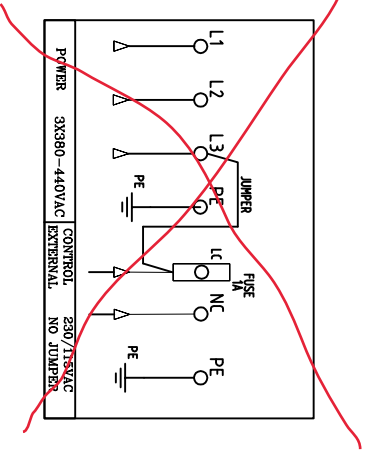




FTO AUS-SWB 400-440V 2.5-4A 1.3-2.2KW  
77120-003360

 GROW MORE WITH LESS	Page: 1	Project: FTOAUS-SWB 400-440V 2.5-4A 1.3-2.2KW			
	Of: 7	SAP NUMBER: 77120-003360			
Scale:	Job No.:		No.:	Date:	Revision:
Desc: Electrical Diagram	Customer: NETAFIM			19.09.18	Income terminals update
	Planner: M. RAZI				
	Drawer: MALIK				
	Engineer: M. RAZI				
Drawing Date:					

FOR REVIEW



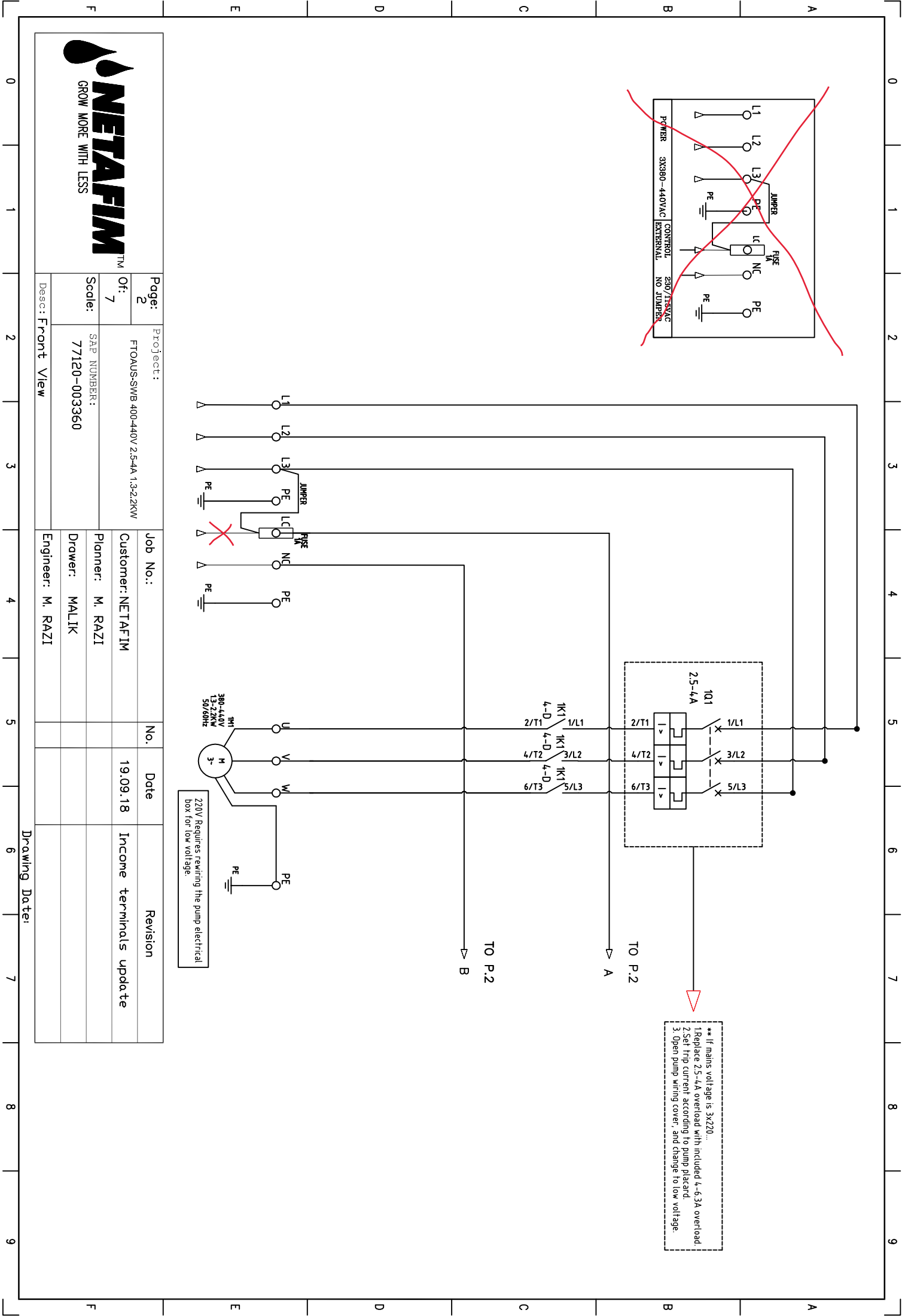
\*\* If mains voltage is 3x220...  
1. Replace 2.5-4A overload with included 4-6.3A overload.  
2. Set trip current according to pump placard.  
3. Open pump wiring cover, and change to low voltage.

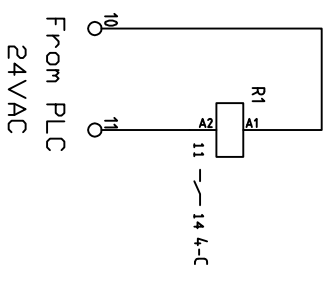
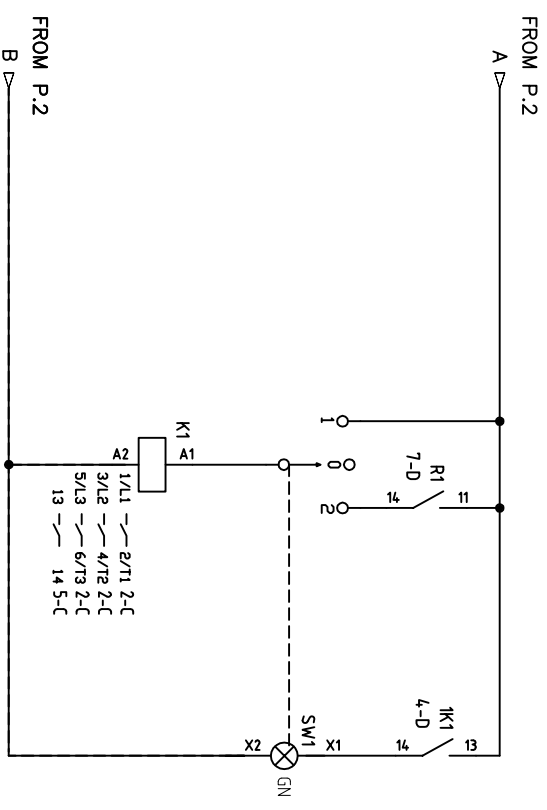
220V Requires rewiring the pump electrical box for low voltage.



Page: 2	Project: FTOAUS-SWB 400-440V 2.5-4A 1.3-2.2KW	Job No.:	No.:	Date:	Revision:
Of: 7		Customer: NETAFIM		19.09.18	Income terminal's update
Scale: SAIP NUMBER: 77120-003360		Planner: M. RAZI			
Desc: Front View		Drawer: MALIK			
		Engineer: M. RAZI			

Drawing Date:





M10 V110 V210

DOS CHANN 1

DOS CHANN 2



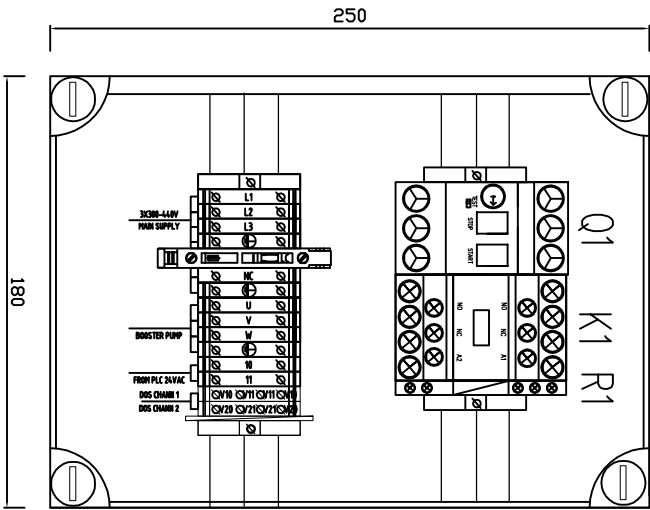
Page: 3	Project: FTOAUS-SWB 400-440V 2.5-4A 1.3-2.2KW	Job No.:	No.:	Date:	Revision:
Of: 7		Customer: NETAFIM		19.09.18	Income terminals update
Scale: SAP NUMBER: 77120-003360		Planner: M. RAZI			
Desc: Front View		Drawer: MALIK			
		Engineer: M. RAZI			

Drawing Date:

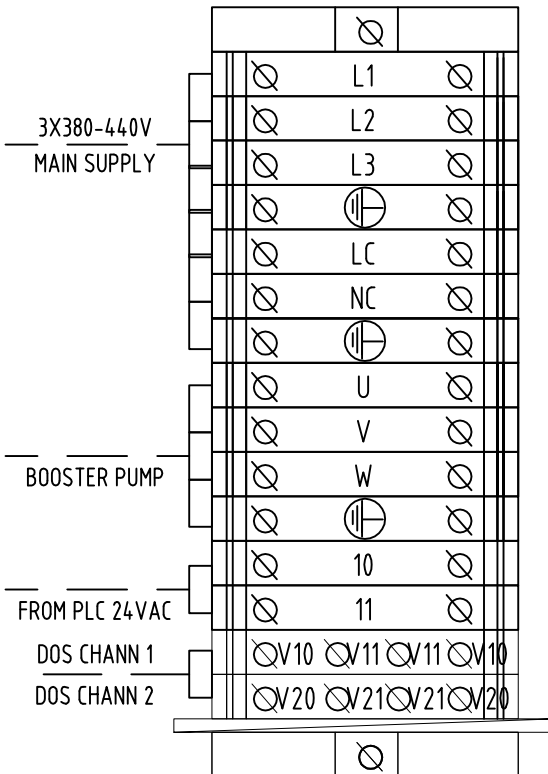
0 1 2 3 4 5 6 7 8 9

A B C D E F

FRONT VIEW



TERMINALS VIEW



Page: 4	Project: FTOAUS-SWB 400-440V 2.5-4A 1.3-2.2KW	Job No.:	No.:	Date:	Revision:
Of: 7		Customer: NETAFIM	19.09.18	Income terminals update	
Scale: 77120-003360	SAP NUMBER: 77120-003360	Planner: M. RAZI			
Desc: Front View		Drawer: MALIK			
		Engineer: M. RAZI			

Drawing Date:


0 1 2 3 4 5 6 7 8 9

A B C D E F

A B C D E F

EQUIPMENTS LIST

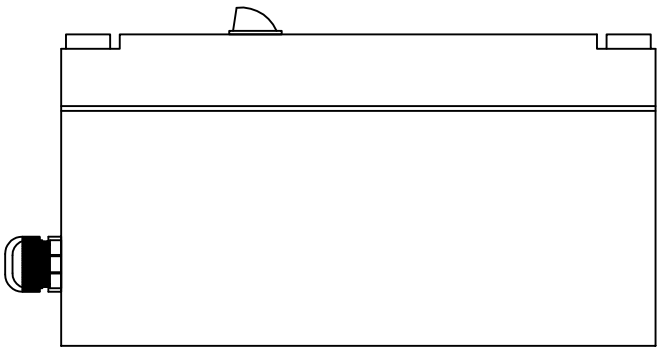
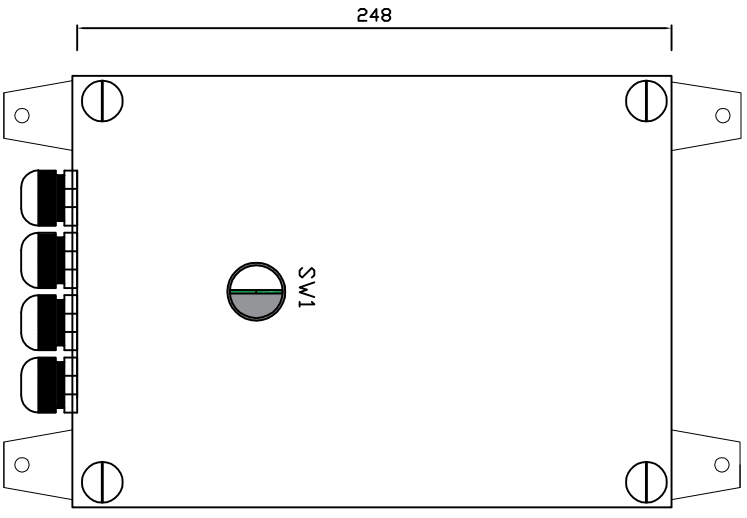
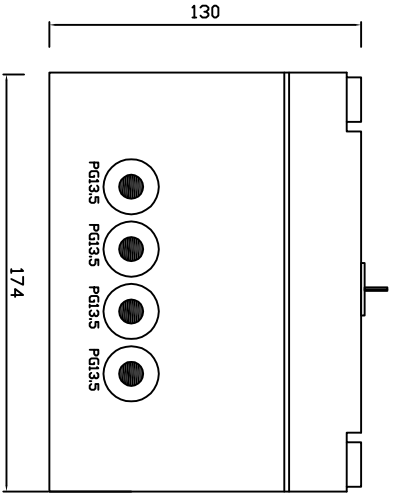
REMARKS	TECHNICAL DATA	TYPE / MODEL	MANUFACTURER	ACCESSORY	SYMBOL
	2.5-4A	GVM08	SHINDER	CIRCUIT BREAKER	1Q1
OPTIONAL	4-6.3A	GVM10	SHINDER	CIRCUIT BREAKER	
	4KW / 220-110VAC	AF09	ABB	CONTACTOR	1K1
	0.5A	DF101	SHINDER	FUSE	1F1
	+ LED 220-100VAC	SA22-AK1335	SALZER	SELECTOR SWITCH	SW1
		700-HLT14 CAT 700TR24	ALLEN-BRADLY	RELY	R1
	248/174/130	CI	ADA	BOX	CI


 <p><b>NETAFIM</b><sup>TM</sup> GROW MORE WITH LESS</p>	Page: 5	Project: FTOAUS-SWB 400-440V 2.5-4A 1.3-2.2KW		Job No.:	No.	Date	Revision
	Of: 7			Customer: NETAFIM		19.09.18	Income terminals update
Scale: SAEP NUMBER: 77120-003360	Desc: Front View		Planner: M. RAZI	Drawer: MALIK	Engineer: M. RAZI		

Drawing Date:

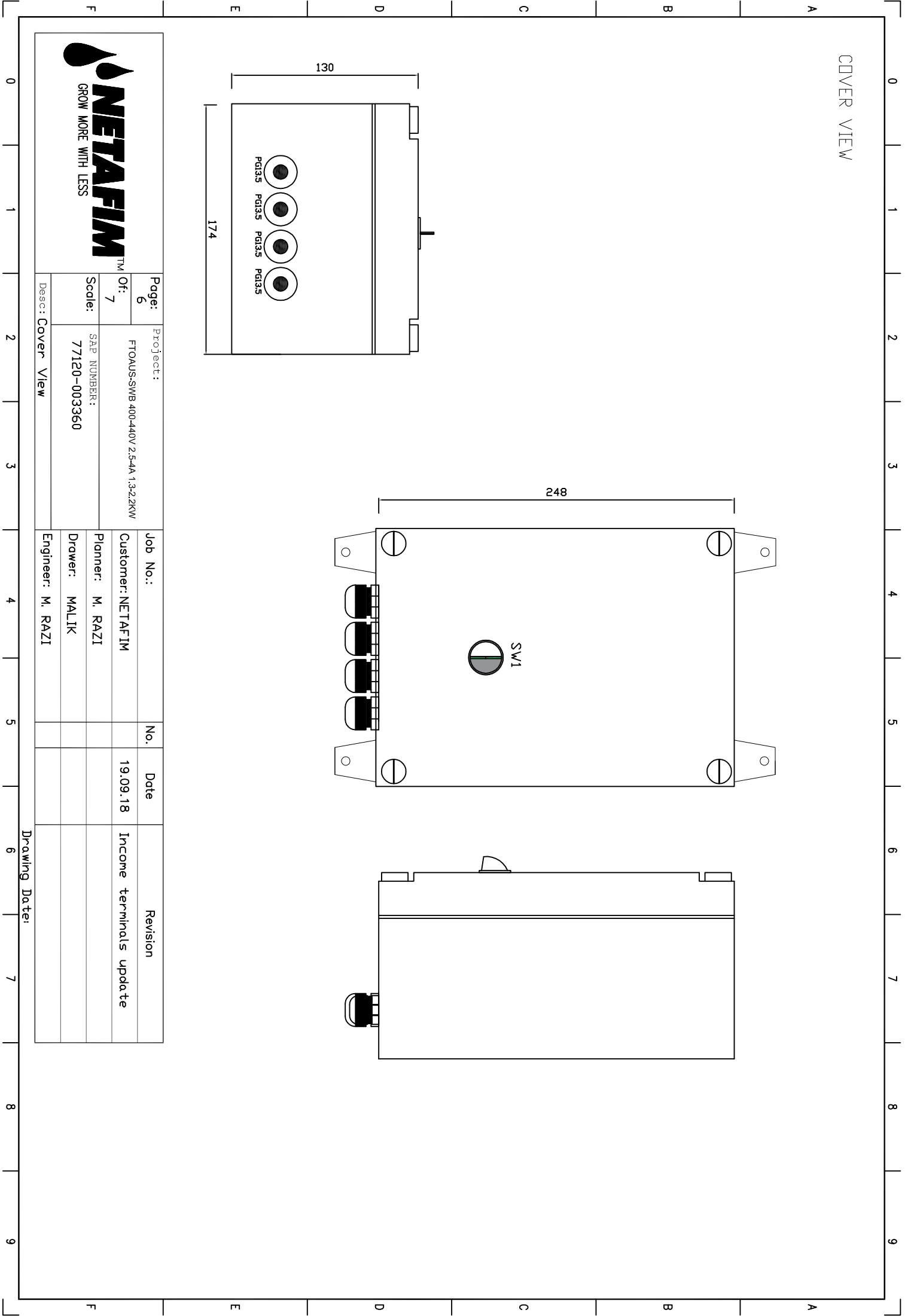
0 1 2 3 4 5 6 7 8 9

COVER VIEW

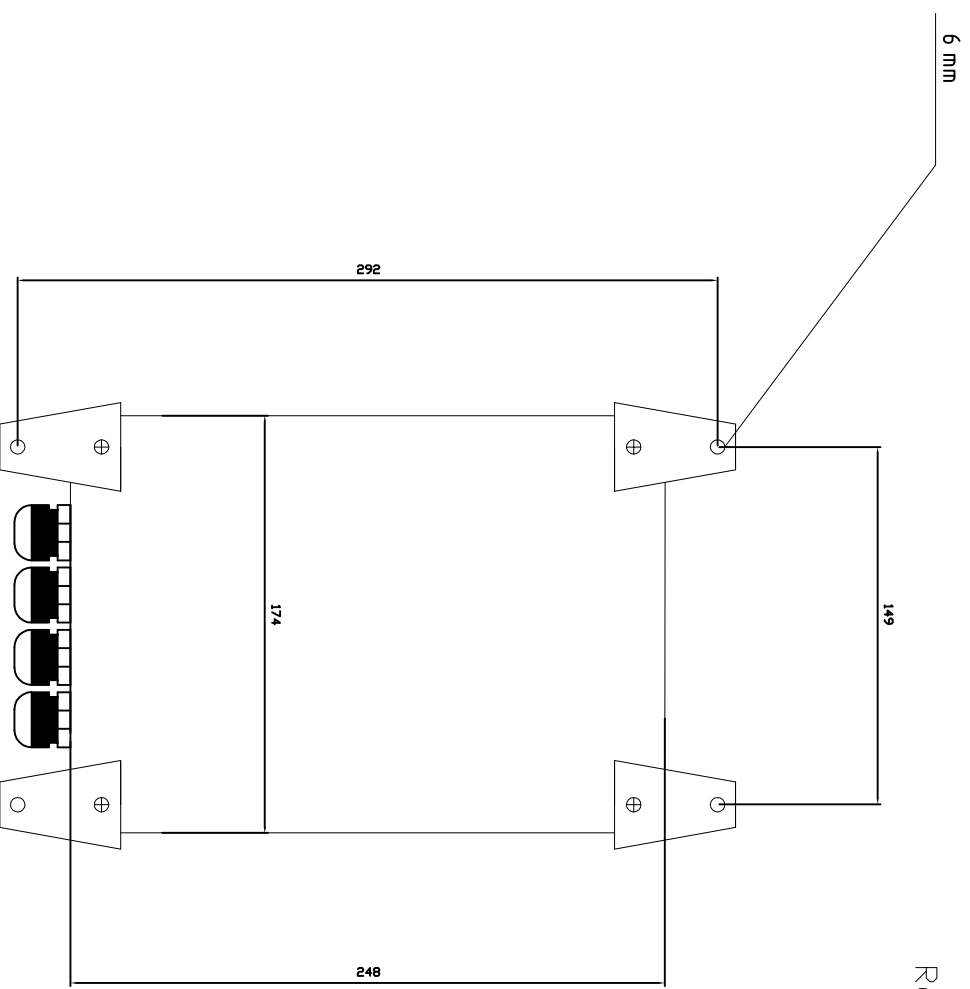



 <p><b>NETAFIM</b><sup>TM</sup> GROW MORE WITH LESS</p>	Page: 6	Project: FT0AUS-SWB 400-440V 2.5-4A 1.3-2.2KW	
	Of: 7	Scale: SAP NUMBER: 77120-003360	Desc: Cover View
Job No.:	No.:	Date:	Revision:
Customer: NETAFIM		19.09.18	Income terminals update
Planner: M. RAZI			
Drawer: MALIK			
Engineer: M. RAZI			

Drawing Date:



Rear view with hanging ears



 <p><b>NETAFIM</b><sup>TM</sup> GROW MORE WITH LESS</p>	Page: 7	Project: FTO AUS-SWB 400-440V 2.5-4A 1.3-2.2KW	Job No.:	No.	Date	Revision
	Of: 7		Customer: NETAFIM	19.09.18	Income terminals update	
Scale: SAP NUMBER: 77120-003360	Desc: Cover View		Planner: M. RAZI			
			Drawer: MALIK			
			Engineer: M. RAZI			

Drawing Date:

0 1 2 3 4 5 6 7 8 9

F E D C B A