

VALVES

BACKFLUSH VALVES

PARTS BREAKDOWN AND ORDERING INFORMATION



**3" IRON
BACKFLUSH VALVE**



**2" PLASTIC
BACKFLUSH VALVE**



**3" PLASTIC
BACKFLUSH VALVE**

TABLE OF CONTENTS

BACKFLUSH VALVES FOR DISC FILTERS

2" COMPACT AND 2" COMPACT LP DISC-KLEEN FILTERS	PAGE 4, 5
2" DISC-KLEEN FILTERS	PAGE 4, 5, 6
2" LP DISC-KLEEN FILTERS	PAGE 4
3" DISC-KLEEN FILTERS	PAGE 7, 9
3" LP DISC-KLEEN FILTERS	PAGE 7
APOLLO DISC-KLEEN FILTERS	PAGE 12, 13
GALAXY DISC-KLEEN FILTERS	PAGE 12, 13
STAR DISC-KLEEN FILTERS	PAGE 14
3" ANGLE DISC FILTER BATTERIES	PAGE 8, 9
4" V AND 4" ANGLE DISC FILTER BATTERIES	PAGE 13

BACKFLUSH VALVES FOR SAND MEDIA FILTERS

AGF SAND MEDIA FILTERS	PAGE 11, 13
16" AND 20" EPOXY STEEL SAND MEDIA FILTERS	PAGE 5, 6
24" EPOXY STEEL SAND MEDIA FILTERS	PAGE 5
30" AND 36" EPOXY STEEL SAND MEDIA FILTERS	PAGE 10
48" EPOXY STEEL SAND MEDIA FILTERS	PAGE 13

COMMONLY USED FITTINGS FOR BACKFLUSH VALVES

PAGE 15

BACKFLUSH VALVE QUICK REFERENCE GUIDE

FILTRATION SYSTEM	BACKFLUSH VALVE
2" COMPACT DISC-KLEEN	61BFG2TP OR 61BFG2GT98
2" COMPACT LP DISC-KLEEN	61BFG2TP
2" DISC-KLEEN	61BFG2TP OR 61BFG2GT98 OR 61FG2G
2" LP DISC-KLEEN	61BFG2TP
3" DISC-KLEEN	61BFG3PSK OR 61BFG3GSF
3" LP DISC-KLEEN	61BFG3PSK
APOLLO DISC-KLEEN	61BFG4GPG, 61BFG4GPG-DM OR 61BFG4G
GALAXY DISC-KLEEN	61BFG4GPG, 61BFG4GPG-DM OR 61BFG4G
STAR DISC-KLEEN	25AP50624340
3" ANGLE DISC	61BFG3GP OR 61BFG3GSF
4" ANGLE DISC	61BFG4G
4" V DISC	61BFG4G
AGF SAND MEDIA	61BFG4GP OR 61BFG4G
16" EPOXY STEEL SAND MEDIA	61BFG2GT98 OR 61FG2G
20" EPOXY STEEL SAND MEDIA	61BFG2GT98 OR 61FG2G
24" EPOXY STEEL SAND MEDIA	61BFG2GT98
30" EPOXY STEEL SAND MEDIA	61BFG3G
36" EPOXY STEEL SAND MEDIA	61BFG3G
48" EPOXY STEEL SAND MEDIA	61BFG4G

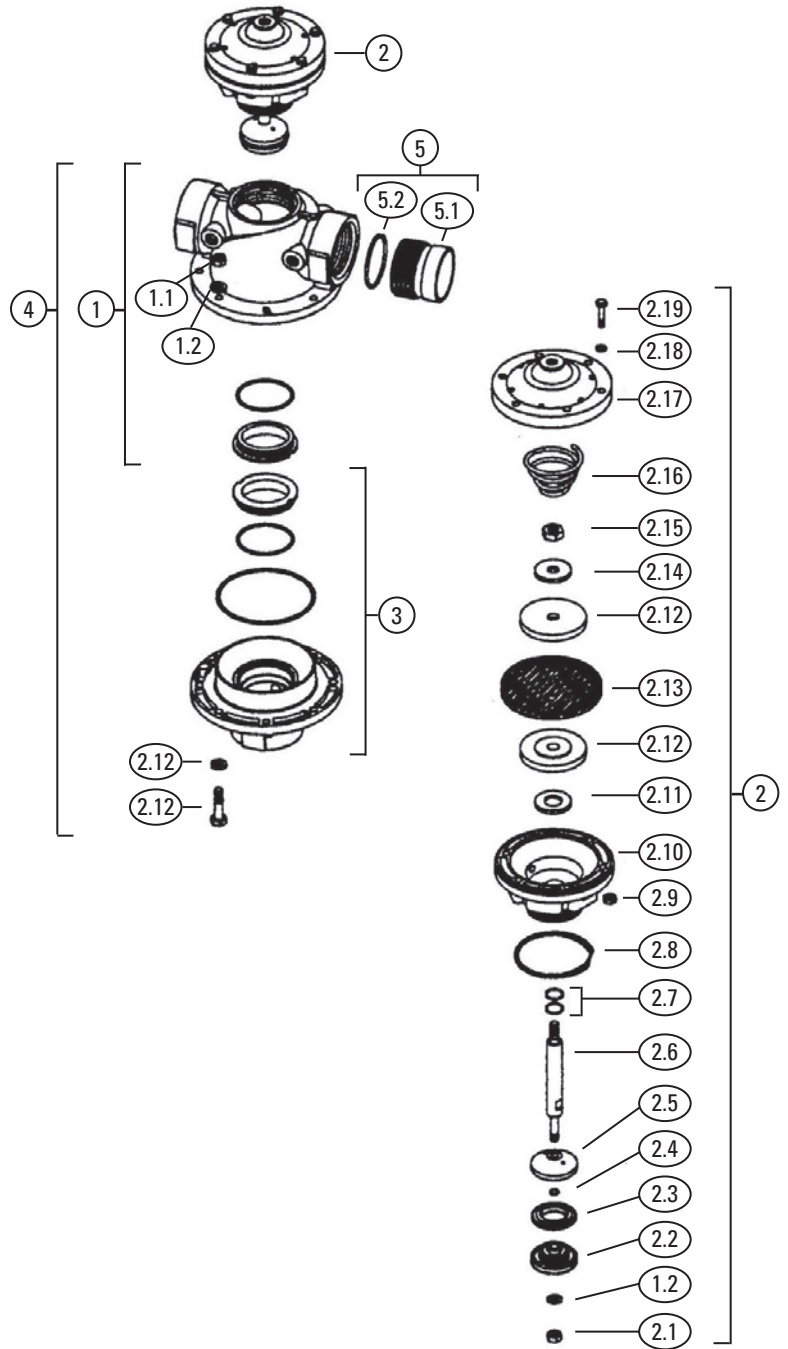
2" PLASTIC BACKFLUSH VALVE MODEL NUMBER 61BFG2TP

USED WITH:
2" COMPACT AND 2" COMPACT LP DISC-KLEEN FILTERS
2" AND 2" LP DISC-KLEEN FILTERS

ORDERING INFORMATION

KEY	MODEL NUMBER	DESCRIPTION
1	25AP5062022401	BODY
1.1	25AP50621237114	NUT
1.2	25AP5062123105	WASHER
1.3	25AP5062022413	BOLT
2	25AP5062022402	ACTUATOR ASSEMBLY
2.1	25AP5062022421	NUT
2.2	25AP5062022423	PLUG WASHER
2.3	25AP5062022424	SEAL
2.4	25AP50623222102	O-RING
2.5	25AP5062022426	PLUG
2.6	25AP5062022427	SHAFT
2.7	25AP50621237110	O-RING
2.8	25AP50620022208	O-RING
2.9	25AP50620022207	NUT
2.10	25AP50623222109	SEPARATION PARTITION
2.11	25AP50620022205	SPRING WASHER
2.12	25AP50620224213	DISC
2.13	25AP50623222111	DIAPHRAGM
2.14	25AP50620224215	STOPPER DISC
2.15	25AP50623222113	NUT
2.16	25AP50623222115	SPRING
2.17	25AP50623222116	GREY COVER
2.18	25AP50623222117	WASHER
2.19	25AP50623222114	BOLT
3	25AP5062022403	ASSEMBLY LOWER SEAT
4	25AP5062022404	BODY ASSEMBLY
5	25AP22530508	ADAPTER ASSEMBLY
5.1	25AP25300508	ADAPTER
5.2	25AP50601211406	O-RING

NOTE:
 Model Number listing for identification purposes only.
 Only HIGHLIGHTED parts are available for purchase.



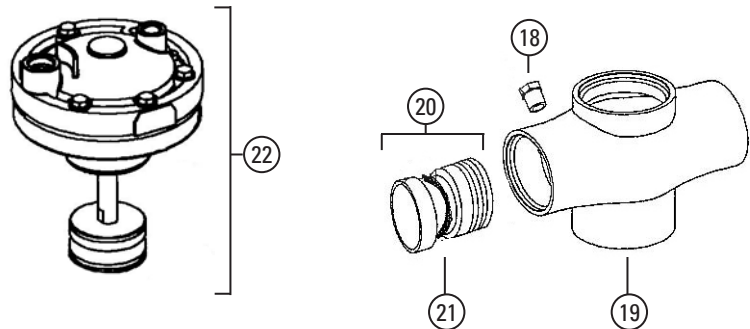
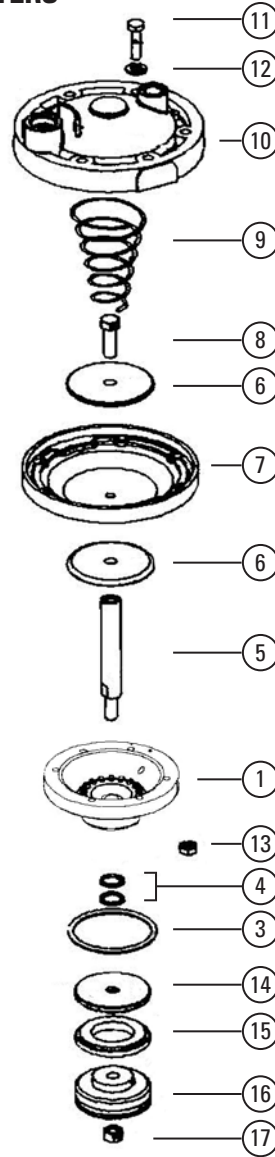
2" IRON BACKFLUSH VALVE MODEL NUMBER 61BFG2T98

USED WITH:
2" COMPACT DISC-KLEEN FILTER (OLD VERSION)
2" DISC-KLEEN FILTERS
16", 20" and 24" EPOXY COATED STEEL SAND MEDIA FILTERS

ORDERING INFORMATION

KEY	MODEL NUMBER	DESCRIPTION
1	-	ACTUATOR BODY
3	61FG2980R	O-RING 2-227
4	61FG20R	O-RING 6-075
5	61FG2STEM	SHAFT
6	-	DIAPHRAGM DISC
7	61DIA298	DIAPHRAGM #302
8	-	BOLT
9	61SP2	SPRING
10	61BON2PL	BONNET
11	-	BOLT
12	-	WASHER
13	-	NUT
14	61FG298DISC	DISC
15	61FG298RS	SEAL
16	61FG298SB	SEAL DISC
17	-	NUT
18	55P1210400-B	PLUG (BAGS OF 10)
19	-	BODY
20	61FG2BNIP	GROOVED ADAPTER
21	61FG2980R	O-RING 2-227
22	61BFG2GT98KIT	REPAIR KIT
3 - 8	61DIA2FG98	DIAPHRAGM ASSY KIT

NOTE:
 Key Numbers without Model Numbers are not sold separately.
 Repair Kit (#22) includes parts 1-17.



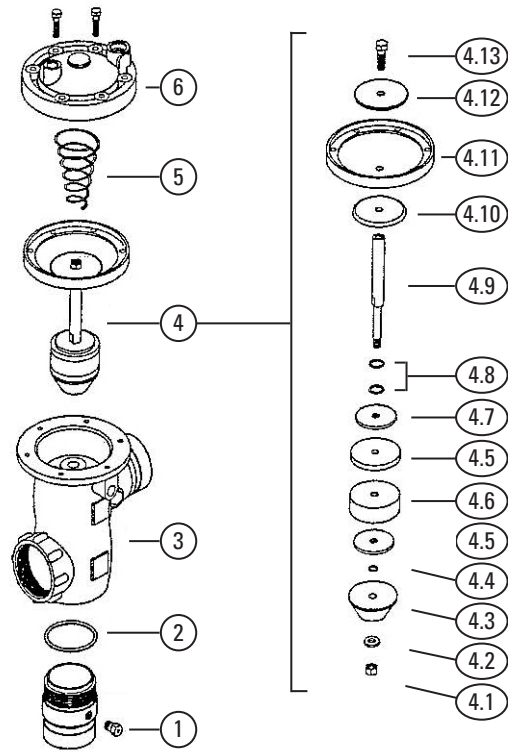
2" IRON BACKFLUSH VALVE

MODEL NUMBER 61BFG2G (OBSOLETE)

USED WITH:
2" DISC-KLEEN FILTERS (OLD VERSION)
16" AND 20" EPOXY COATED STEEL SAND MEDIA FILTERS

ORDERING INFORMATION

KEY	MODEL NUMBER	DESCRIPTION
1	25AP5060122001	VACUUM BREAKER
1A	-	ADAPTER
2	-	O-RING
3	-	VALVE BODY
4	-	ACTUATOR & COVER ASSY
4.1	-	NUT
4.2	-	WASHER
4.3	-	CONE
4.4	-	O-RING
4.5	-	SEAL
4.6	-	SEAL BODY
4.7	-	DISC
4.8	61FG20R	O-RING
4.9	-	STEM
4.10	-	LOWER DIAPHRAGM DISC
4.11	61DIA298	DIAPHRAGM
4.12	-	UPPER DIAPHRAGM DISC
4.13	-	BOLT
5	61SP2	SPRING
6	61BON2PL	COVER
7	-	BOLT



NOTE:
 Key Numbers without Model Numbers are not sold separately.

3" PLASTIC BACKFLUSH VALVE

MODEL NUMBER 61BFG3PSK

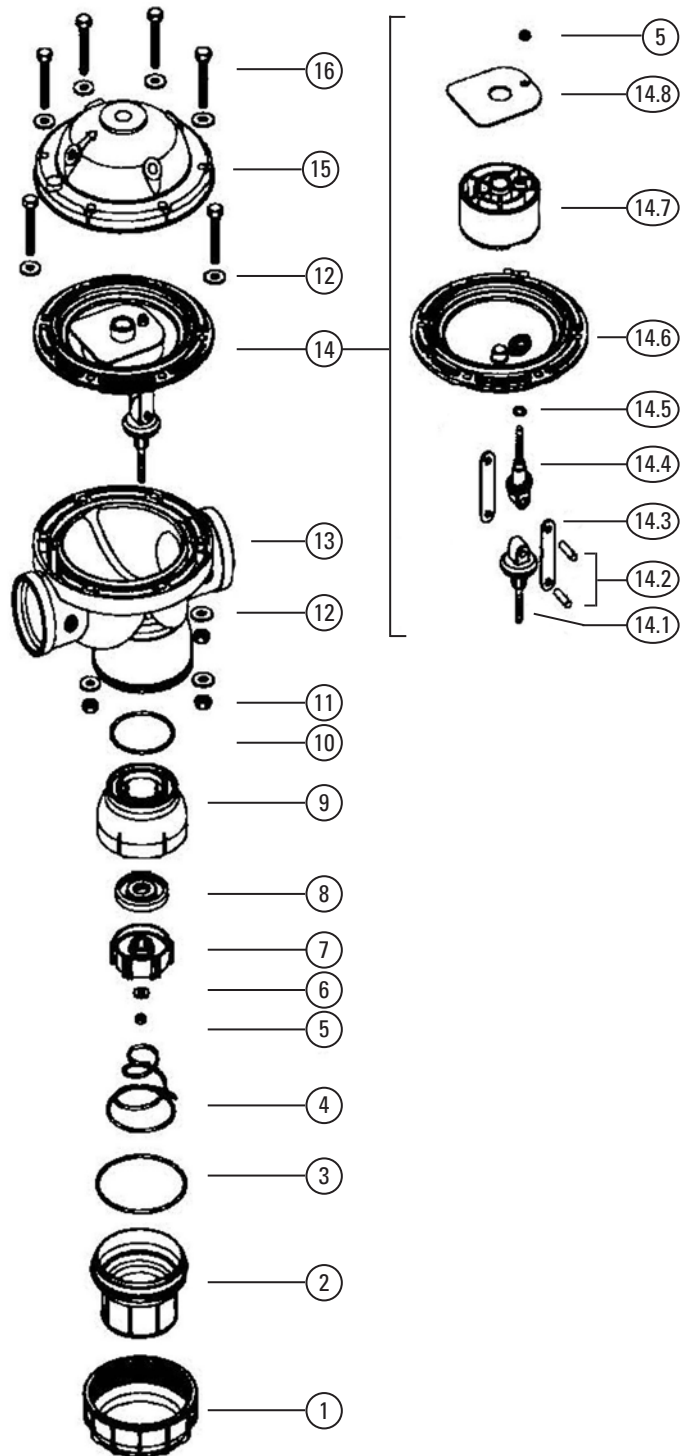
**USED WITH:
3" AND 3" LP DISC-KLEEN FILTERS**

ORDERING INFORMATION

KEY	MODEL NUMBER	DESCRIPTION
1	25AP25060410	LOCKING NUT
2	25AP5060530202	2" FTH ADAPTER
3	25AP50032246	O-RING 2-246
4	25AP5060442404	SPRING 11
5	25AP5060442405	M8 NUT
6	25AP5060442406	DISC
7	25AP5060442407	SEAL DISC
8	25AP5060442408	SEAL
9	25AP5060442409	SEAT
10	25AP50032235	O-RING 2-235
11	25AP5060442411	M10 NUT
12	25AP5060442412	M10 X 2 DISC
13	-	VALVE BODY
14	25AP50607323VK	DIAPHRAGM ASSEMBLY
14.1	-	LOWER CONNECTOR
14.2	-	CONNECTOR PIN
14.3	-	SHAFT
14.4	-	UPPER CONNECTOR
14.5	-	O-RING 2-112
14.6	25AP50605424146	DIAPHRAGM
14.7	-	UPPER DISC
14.8	25AP50604424148	STOPPER DISC
15	25AP5060442415	BONNET
16	25AP5060442416	M10 X 60 BOLT

NOTE:

Key Numbers without Model Numbers are not sold separately.
Parts 14.1-14.5 and 14.7 are sold as part of Diaphragm Assembly (#14) only



3" PLASTIC BACKFLUSH VALVE

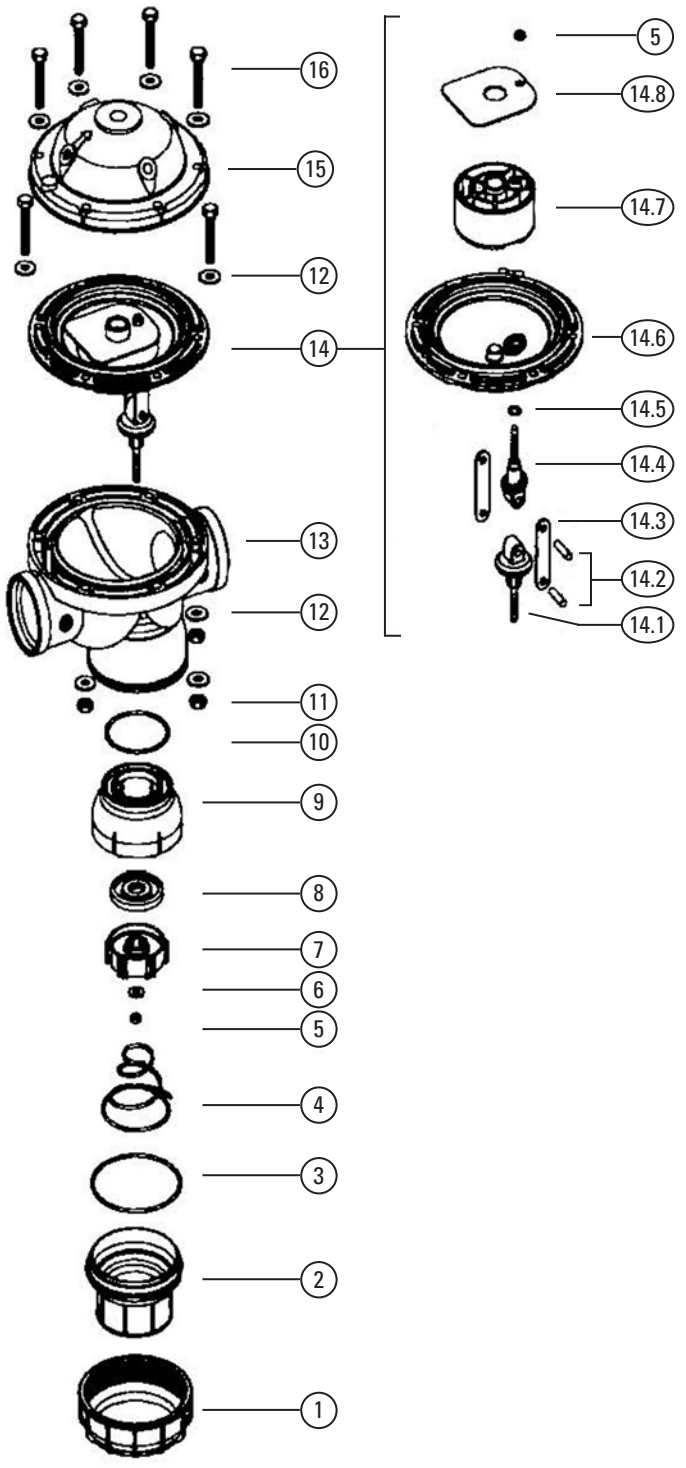
MODEL NUMBER 61BFG3GP

USED WITH:
3" ANGLE DISC-KLEEN FILTER BATTERIES

ORDERING INFORMATION

KEY	MODEL NUMBER	DESCRIPTION
1	25AP25060410	LOCKING NUT
2	25AP5060442402A1	3" VIC ADAPTER
3	25AP50032246	O-RING 2-246
4	25AP5060442404	SPRING 11
5	25AP5060442405	M8 NUT
6	25AP5060442406	DISC
7	25AP5060442407	SEAL DISC
8	25AP5060442408	SEAL
9	25AP5060442409	SEAT
10	25AP50032235	O-RING 2-235
11	25AP5060442411	M10 NUT
12	25AP5060442412	M10 X 2 DISC
13	-	VALVE BODY
14	25AP50607323VK	DIAPHRAGM ASSEMBLY
14.1	-	LOWER CONNECTOR
14.2	-	CONNECTOR PIN
14.3	-	SHAFT
14.4	-	UPPER CONNECTOR
14.5	25AP50604424145	O-RING 2-112
14.6	25AP50605424146	DIAPHRAGM
14.7	-	UPPER DISC
14.8	25AP50604424148	STOPPER DISC
15	25AP5060442415	BONNET
16	25AP5060442416	M10 X 60 BOLT

NOTE:
Key Numbers without Model Numbers are not sold separately.
Parts 14.1-14.5 and 14.7 are sold as part of Diaphragm Assembly (#14) only.



3" IRON BACKFLUSH VALVE

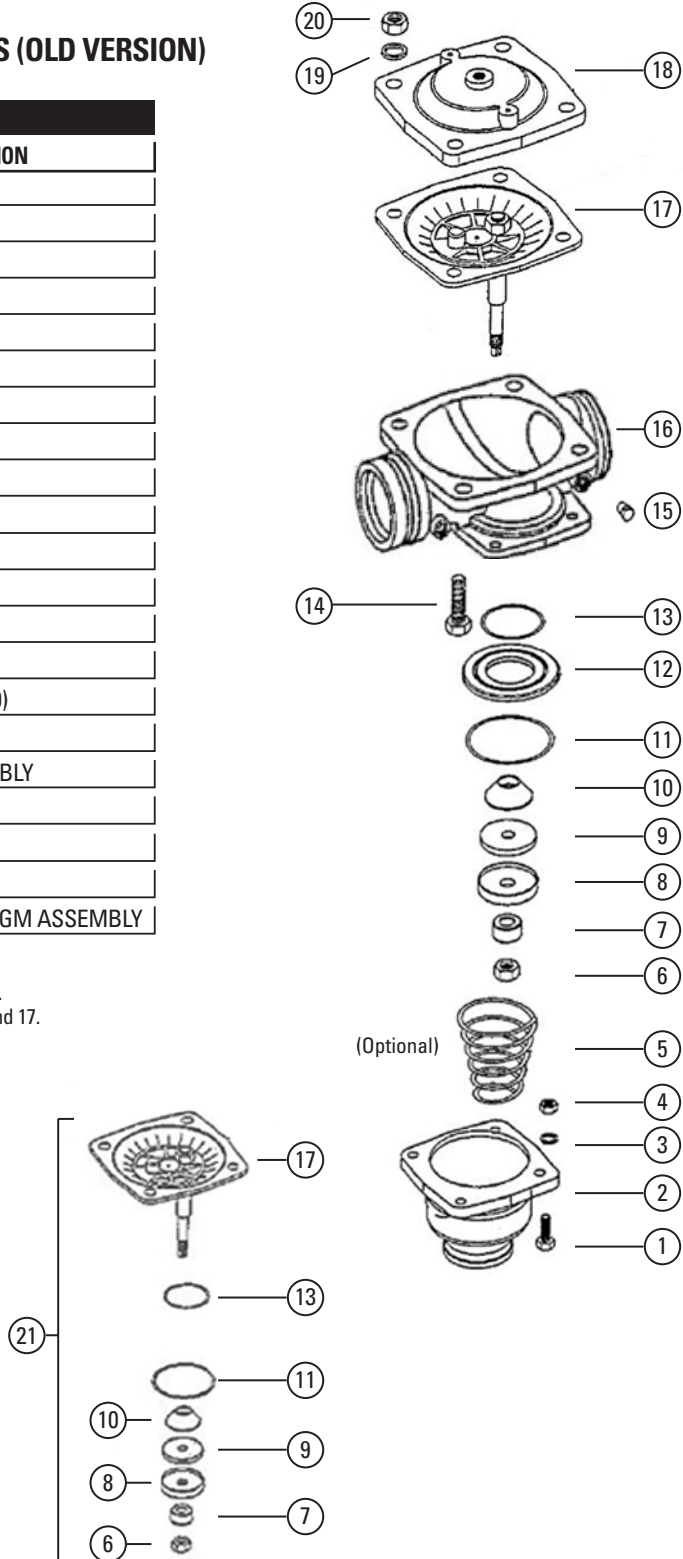
MODEL NUMBER 61BFG3GSF

USED WITH:
3" DISC-KLEEN HIGH PRESSURE FILTERS
3" DISC-KLEEN FILTERS (OLD VERSION)
3" ANGLE DISC-KLEEN FILTER BATTERIES (OLD VERSION)

ORDERING INFORMATION

KEY	MODEL NUMBER	DESCRIPTION
1	-	BOLT
2	61FG3ADAP	FLUSH ADAPTER
3	-	WASHER
4	442009	NUT
5	25AP5060321402	SPRING (OPTIONAL)
6	25AP5060321105	BRASS NUT
7	61FG3FIXINSRT	FIXING INSERT
8	61FG3SBSK	SEAL BOWL (BRASS)
9	61FG3RSSK	SEAL
10	61FGSK3CN	GUIDE CONE
11	61FG3ORB	O-RING (BOTTOM)
12	61FG3SSEAT	SEAT
13	61FG3ORT	O-RING (TOP)
14	-	BOLT
15	55P1210400-B	1/4" PLUG (BAG OF 10)
16	-	VICTAULIC BODY
17	-	DIAPHRAGM ASSEMBLY
18	-	BONNET
19	-	WASHER
20	-	NUT
21	61DIA3SKLP-C	COMPLETE DIAPHRAGM ASSEMBLY

NOTE:
 Key Numbers without Model Numbers are not sold separately.
 Complete Diaphragm Assembly (#21) includes parts 6-11, 13 and 17.



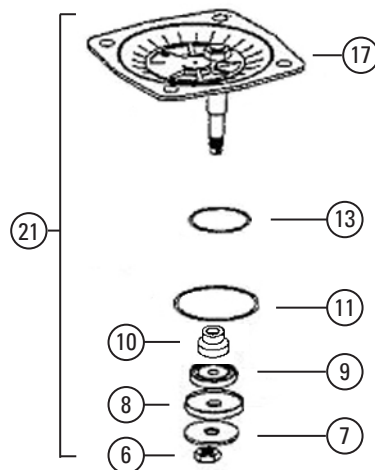
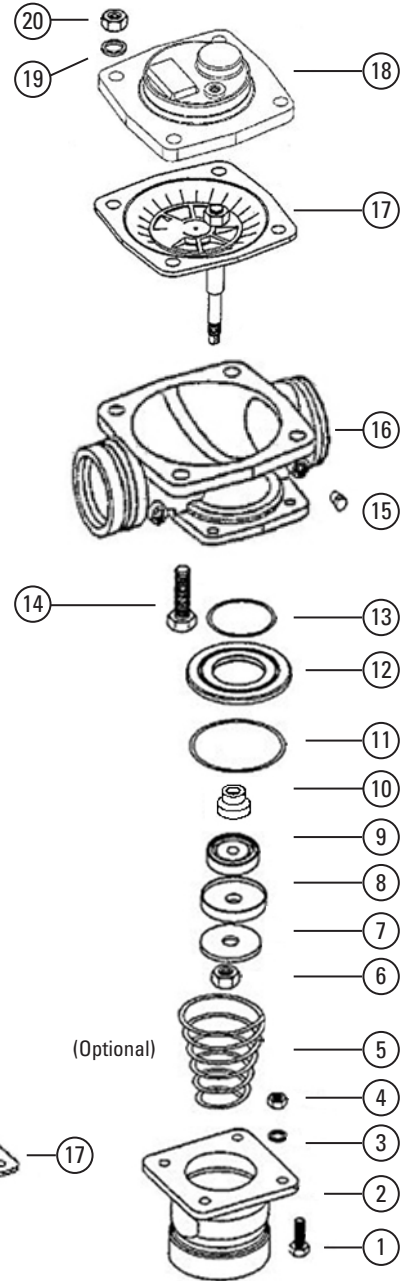
3" IRON BACKFLUSH VALVE MODEL NUMBER 61BFG3G

**USED WITH:
30" AND 36" EPOXY COATED STEEL SAND MEDIA FILTERS**

ORDERING INFORMATION

KEY	MODEL NUMBER	DESCRIPTION
1	-	BOLT
2	61FG3ADAP	FLUSH ADAPTER
3	-	WASHER
4	442009	NUT
5	25AP5060321402	SPRING (OPTIONAL)
6	25AP5060321105	BRASS NUT
7	61FG3SSWASHER	DISC
8	61FG34SB	SEAL BOWL (STAINLESS STEEL)
9	61FG34RS	SEAL
10	61FG3CONE	GUIDE CONE
11	61FG3ORB	O-RING (BOTTOM)
12	61FG3SSEAT	SEAT
13	61FG3ORT	O-RING (TOP)
14	-	BOLT
15	55P1210400-B	1/4" PLUG (BAG OF 10)
16	-	VICTAULIC BODY
17	61DIA34FGLP	DIAPHRAGM ASSEMBLY
18	-	BONNET
19	-	WASHER
20	-	NUT
21	61DIA3FGLP-C	COMPLETE DIAPHRAGM ASSEMBLY

NOTE:
Key Numbers without Model Numbers are not sold separately.
Complete Diaphragm Assembly (#21) includes parts 6-11, 13 and 17.



4" PLASTIC BACKFLUSH VALVE MODEL NUMBER 61BFG4GP

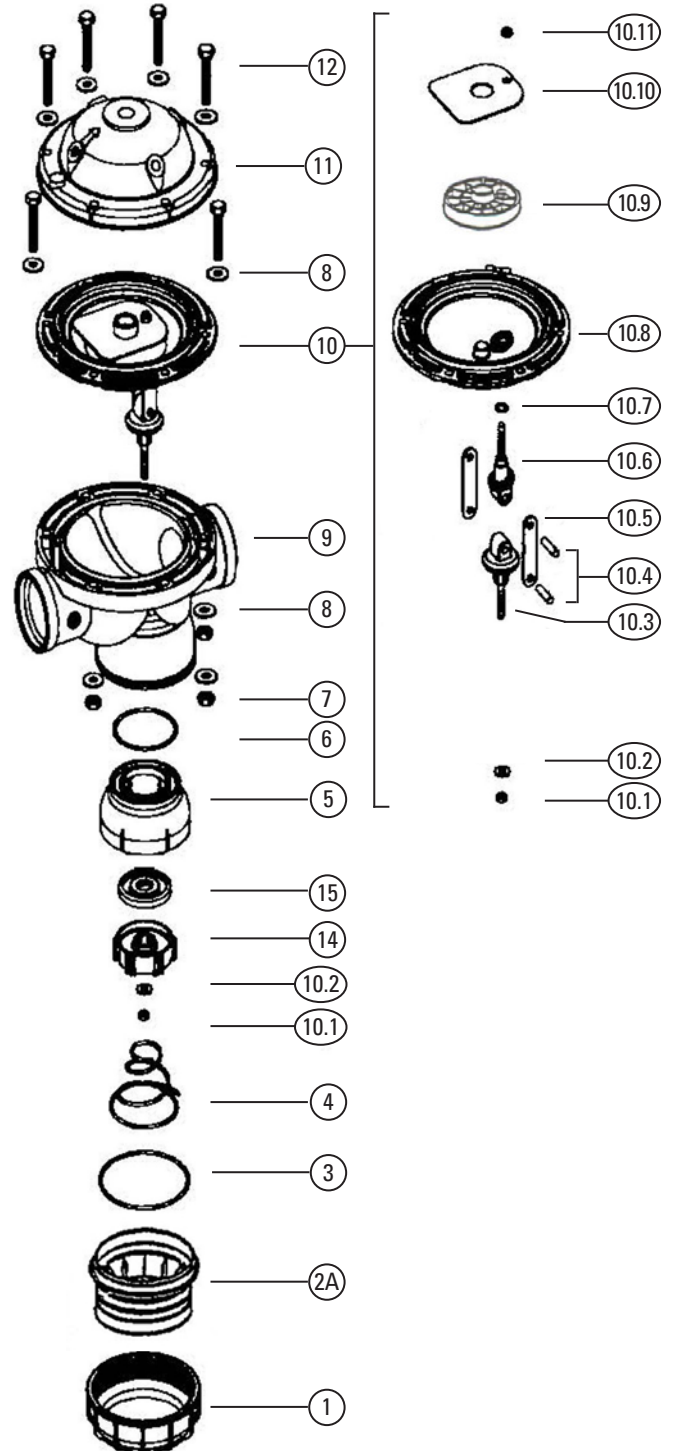
**USED WITH:
AGF SAND MEDIA FILTERS**

ORDERING INFORMATION

KEY	MODEL NUMBER	DESCRIPTION
1	25AP25060410	LOCKING NUT
2A	25AP5060442402A	4" VICTAULIC ADAPTER (GROOVED)
3	25AP50032246	O-RING 2-246
4	25AP5060442404	SPRING 11
5	25AP5060442409	SEAT
6	25AP50032235	O-RING 2-235
7	25AP5060442411	M10 NUT
8	25AP5060442412	M10 X 2 DISC
9	25AP5060442413	VALVE BODY
10	25AP50606424VK	VALVE KIT (LOW PRESSURE)
10.1	25AP5060442405	M8 NUT
10.2	25AP5060442406	DISC
10.3	-	LOWER CONNECTOR
10.4	-	CONNECTOR PIN
10.5	-	SHAFT
10.6	-	UPPER CONNECTOR
10.7	25AP50604424145	O-RING 2-112
10.8	25AP50604424146	DIAPHRAGM (LOW PRESSURE)
10.9	25AP50604424147	UPPER DISC
10.10	25AP50604424148	STOPPER DISC
11	25AP5060442415	BONNET
12	25AP5060442416	M10 X 50 BOLT
13	25AP5060442417	SHAFT COMPLETE
14	25AP5060442407	SEAL DISC
15	25AP5060442408	SEAL

NOTE:

Key Numbers without Model Numbers are not sold separately.
Parts 10.3-10.5 are sold as part of the Valve Kit (#10) only.



4" PLASTIC BACKFLUSH VALVE

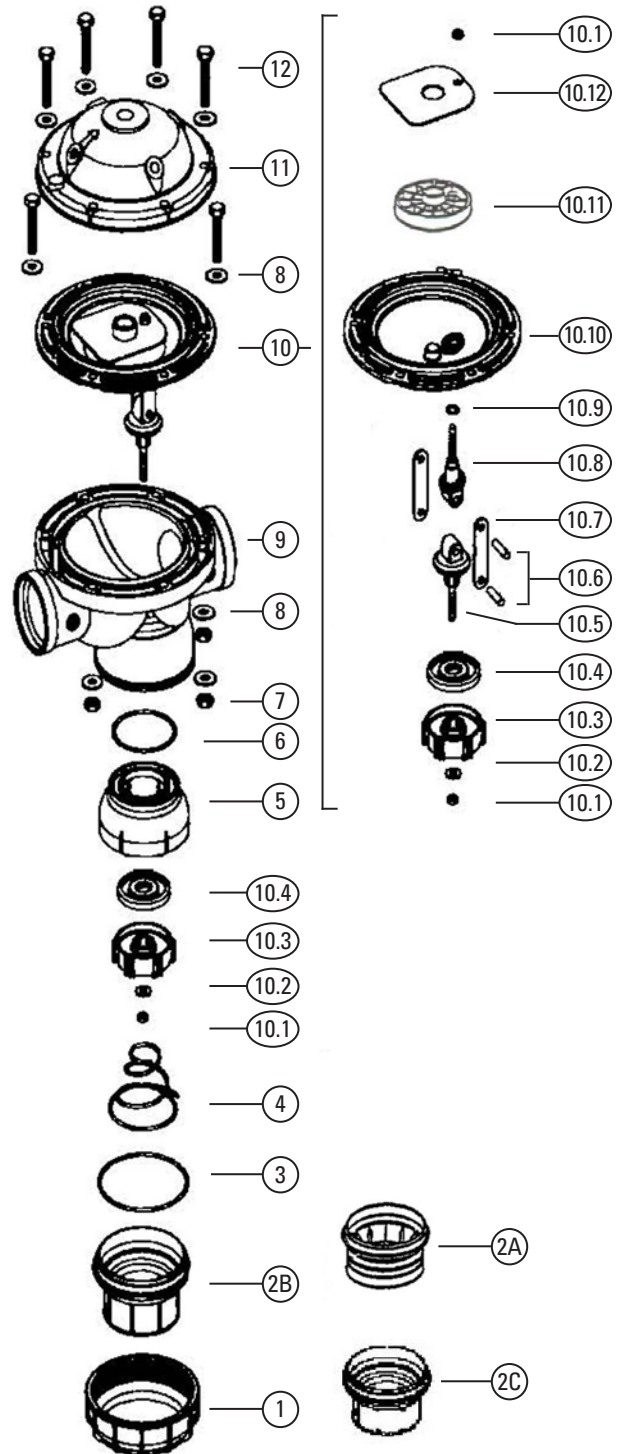
MODEL NUMBER 61BFG4GPG OR 61BFG4GPG-DM

USED WITH:
APOLLO DISC-KLEEN FILTERS
GALAXY DISC-KLEEN FILTERS

ORDERING INFORMATION

KEY	MODEL NUMBER	DESCRIPTION
1	25AP25060410	LOCKING NUT
2A	25AP5060442402A1	3" VICTAULIC ADAPTER (GROOVED)
2B	25AP5060442402B	3" THREADED ADAPTER (FEMALE/MALE)
2C	25AP5060442402C	3" THREADED ADAPTER (MALE)
3	25AP50032246	O-RING 2-246
4	25AP5060442404	SPRING 11
5	25AP5060442409	SEAT
6	25AP50032235	O-RING 2-235
7	25AP5060442411	M10 NUT
8	25AP5060442412	M10 X 2 DISC
9	25AP5060442413	VALVE BODY
10	25AP50607424VK	VALVE KIT (HIGH PRESSURE)
10.1	25AP5060442405	M8 NUT
10.2	25AP5060442406	DISC
10.3	25AP5060442407	SEAL DISC
10.4	25AP5060442408	SEAL
10.5	-	LOWER CONNECTOR
10.6	-	CONNECTOR PIN
10.7	-	SHAFT
10.8	-	UPPER CONNECTOR
10.9	25AP50604424145	O-RING 2-112
10.10	25AP50605424146	DIAPHRAGM (HIGH PRESSURE)
10.11	25AP50604424147	UPPER DISC
10.12	25AP50604424148	STOPPER DISC
11	25AP5060442415	BONNET
12	25AP5060442416	M10 X 50 BOLT
13	25AP5060442417	SHAFT COMPLETE

NOTE:
 Key Numbers without Model Numbers are not sold separately.
 Parts 10.5-10.8 are sold as part of the Valve Kit (#10) only.



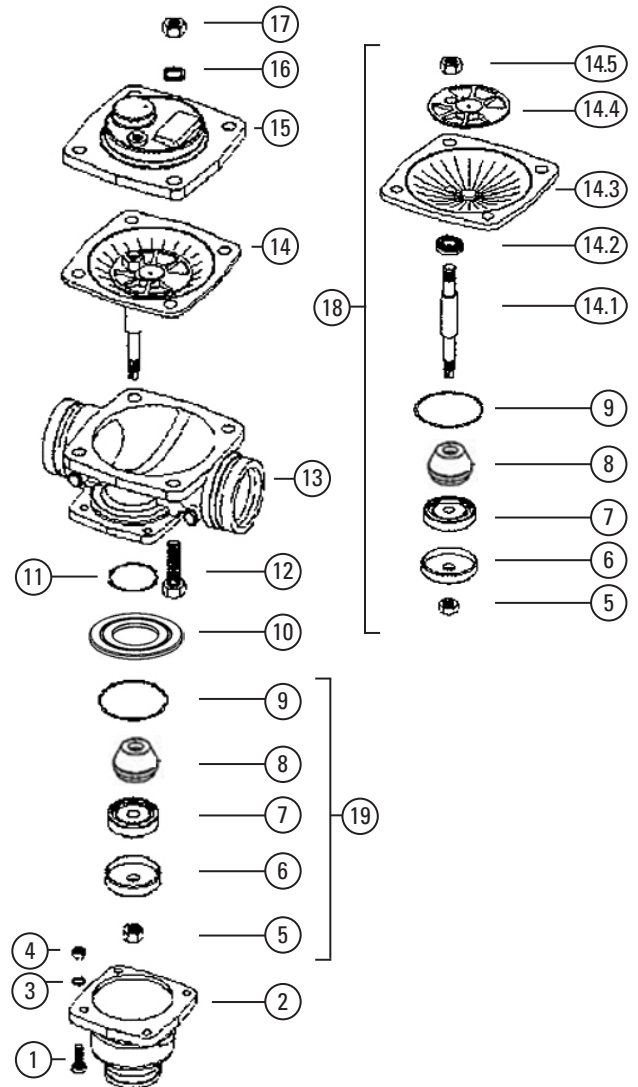
4" IRON BACKFLUSH VALVE MODEL NUMBER 61BFG4G

**USED WITH:
AGF SAND MEDIA FILTERS, GALAXY HIGH PRESSURE FILTERS,
APOLLO HIGH PRESSURE FILTERS, 48" EPOXY SAND MEDIA
FILTERS, 4" V AND 4" ANGLE DISC-KLEEN FILTER BATTERIES**

ORDERING INFORMATION

KEY	MODEL NUMBER	DESCRIPTION
1	-	BOLT
2	61FG4ADAP	FLUSH ADAPTER
3	-	WASHER
4	442009	NUT
5	25AP5060321105	BRASS NUT
6	61FG3DSK	SEAL BOWL (BRASS)
7	61FG3RS	SEAL
8	61FG4CONE	GUIDE CONE
9	61FG3ORB	O-RING (BOTTOM)
10	61FG4SSEAT	SEAT
11	61FG3ORT	O-RING (TOP)
12	-	BOLT
13	-	VICTAULIC BODY
14	61DIA34FGLP	DIAPHRAGM ASSEMBLY
14.1	-	STEM
14.2	-	SMALL DISC
14.3	-	DIAPHRAGM
14.4	-	LARGE DISC
14.5	-	NUT
15	61BONBF34	BONNET
16	-	WASHER
17	-	NUT
18	61DIA4FGLP-C	COMPLETE DIAPHRAGM ASSEMBLY
19	61FGKIT4	VALVE KIT

NOTE:
Key Numbers without Model Numbers are not sold separately.
Complete Diaphragm Assembly (#19) includes parts 5-9, 11 and 14.



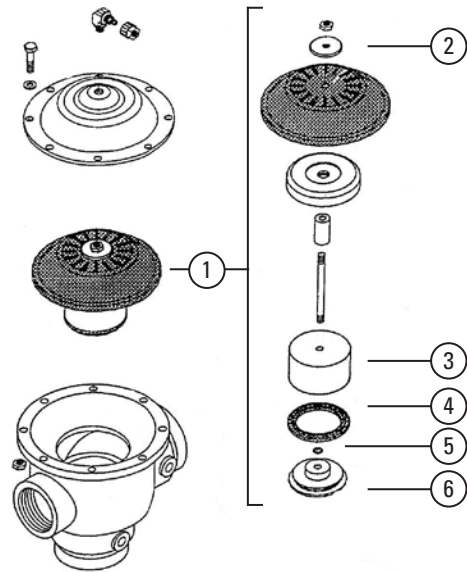
4" IRON BACKFLUSH VALVE

MODEL NUMBER 25AP50624340

USED WITH:
STAR DISC-KLEEN FILTERS (OBSOLETE FILTER)

ORDERING INFORMATION

KEY	MODEL NUMBER	DESCRIPTION
-	25AP50624340	COMPLETE BACKFLUSH VALVE 4" X 3"
1	25AP50624013	BACKFLUSH VALVE KIT
2	25AP50624340308	DIAPHRAGM
3	25AP50624340304	DELRIN PLUG
4	25AP50624340303	VALVE SEAL
5	25AP50624340302	O-RING
6	25AP50624340301	PLUG WASHER



COMMONLY USED FITTINGS FOR BACKFLUSH VALVES

**USED WITH:
ALL BACKFLUSH VALVE MODELS**



ORDERING INFORMATION

KEY	MODEL NUMBER	DESCRIPTION
1	55P4664804-B	PLASTIC FEMALE CONNECTOR 8MM X 1/4" (10 BAG)
2	55P4684804-B	PLASTIC MALE CONNECTOR 8MM X 1/4" (10 BAG)
	55P4684802-B	PLASTIC MALE CONNECTOR 8MM X 1/8" (10 BAG)
3	55P4694804-B	PLASTIC MALE 90 ELBOW 8MM X 1/8" (10 BAG)
-	55P1210400-B	PLASTIC PLUG 1/4" (10 BAG)
-	55P1220204-B	PLASTIC NIPPLE 1/4" (10 BAG)
-	55P1230402-B	PLASTIC REDUCING NIPPLE 1/4" X 1/8" (10 BAG)
4	55P4714804-B	PLASTIC MALE BRANCH TEE 8MM X 1/4" X 8MM (10 BAG)
	55P4714802-B	PLASTIC MALE BRANCH TEE 8MM X 1/8" X 8MM (10 BAG)
5	55P4724802-B	PLASTIC MALE RUN TEE 8MM X 1/8" X 8MM (10 BAG)
	55P4724804-B	PLASTIC MALE RUN TEE 8MM X 1/4" X 8MM (10 BAG)
-	25AP50780432	PLASTIC ELBOW 12MM X 3/8" (1 EA)
-	25AP50780433	PLASTIC TEE 12MM X 3/8" 12 MM (1 EA)
6	15CONT8C10	8MM CONTROL TUBING (10' COIL)
-	25AP50500116	12MM SOFT CONTROL TUBING (1')
7	55B209P64	BRASS BUSHING 3/8" MALE X 1/4" FEMALE
8	55B216P64	BRASS HEX NIPPLE REDUCER 3/8" MALE X 1/4" MALE
9	55B222P64	BRASS ADAPTER 3/8" FEMALE X 1/4" MALE



NETAFIM USA
5470 E. Home Ave.
Fresno, CA 93727
CS 888 638 2346
F 800 695 4753
www.netafimusa.com