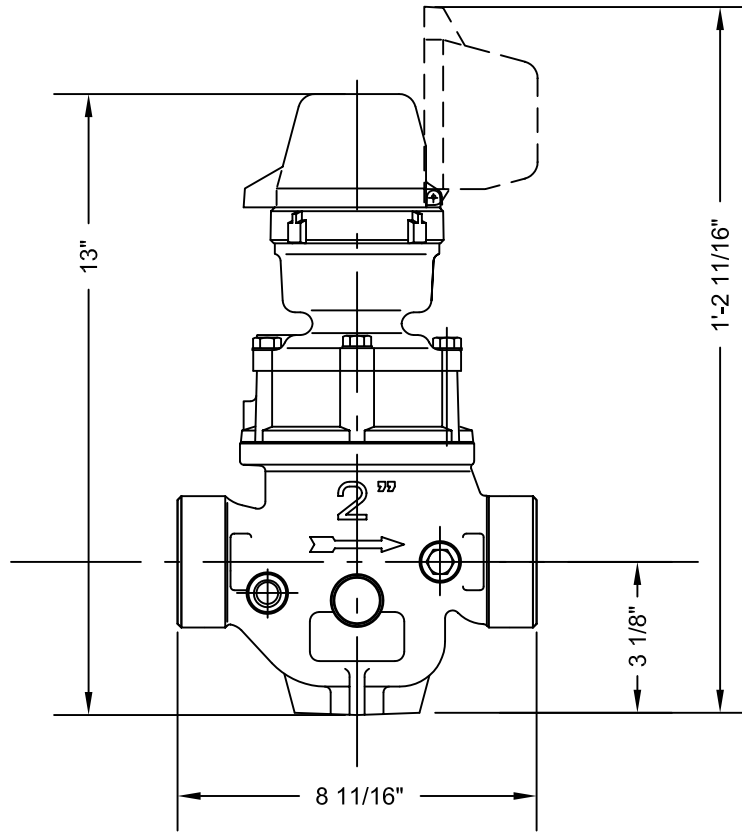
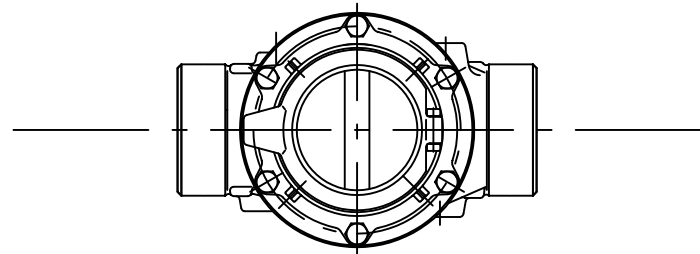


SIDE VIEW



FRONT VIEW



PLAN OR TOP VIEW

00

HYDROMETER 2" FNPT

NOT TO SCALE



DETAIL - PH20