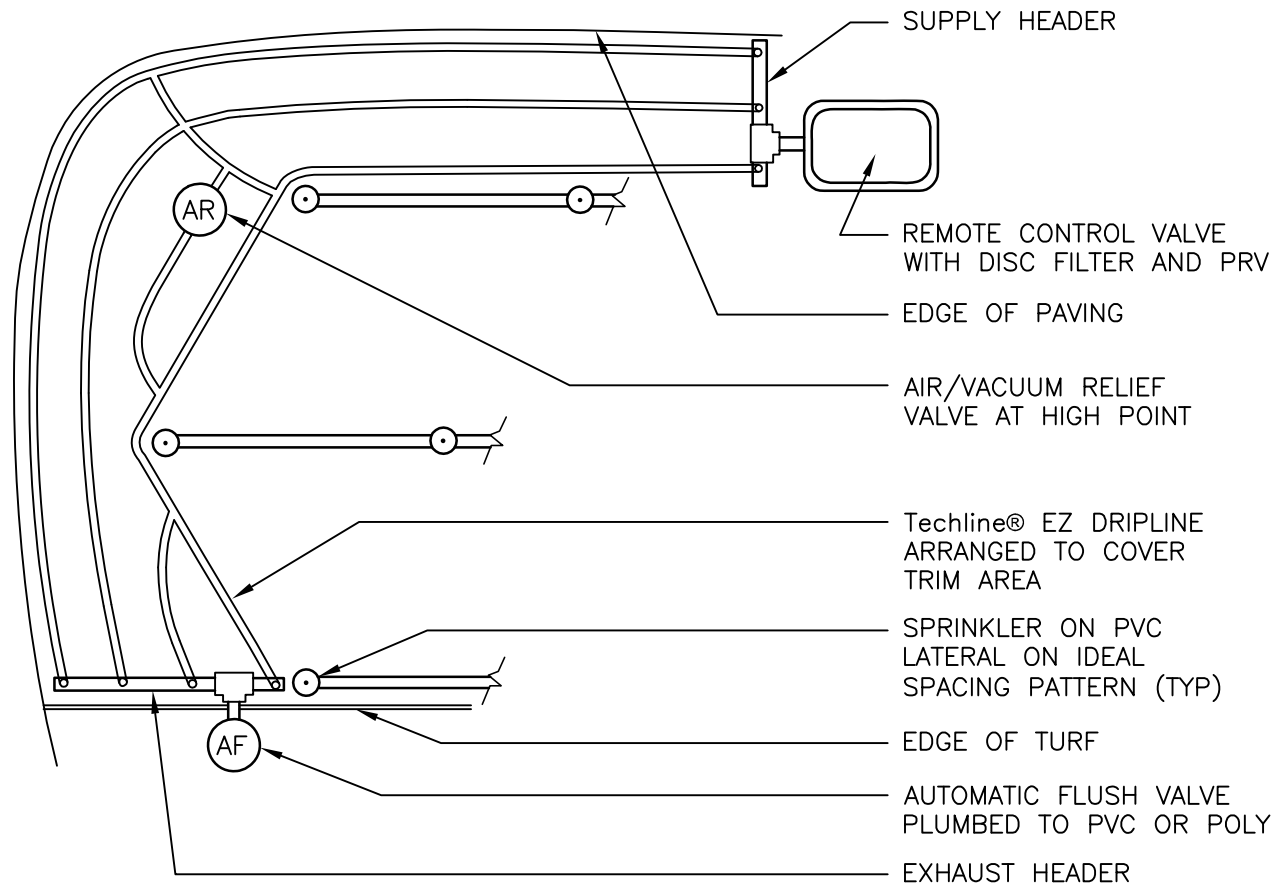


LIMITATIONS:

ALLOWING FOR A WIDE VARIETY OF APPLICATIONS AND CONDITIONS, NETAFIM IRRIGATION INC. IS NOT RESPONSIBLE FOR CORRECTNESS OR APPLICABILITY TO PURPOSE OR COMPATIBILITY TO ANY SITE OR JOB CONDITION. WARRANTY FOR SUITABILITY IS NOT GIVEN OR IMPLIED. MODIFICATIONS FOR SPECIFIC PURPOSES MAY BE NECESSARY AND ARE THE SPECIFIERS' RESPONSIBILITY. THE USE OF THESE DETAILS SHALL NOT BE RESTRICTED AND PUBLICATION THEREOF IS NOT LIMITED TO ANY PURPOSE. REPRODUCTION, PUBLICATION AND REUSE BY ANY METHOD IN WHOLE OR PART IS FULLY AUTHORIZED. OWNERSHIP IS RETAINED BY NETAFIM IRRIGATION INC. VISUAL CONTACT WITH THESE DETAILS SHALL CONSTITUTE PRIMA FACIE EVIDENCE OF THE ACCEPTANCE OF THESE RESTRICTIONS.



NOTE TO DESIGNER:

1. IN THIS EXAMPLE, IDEAL SPACING IS MAINTAINED FOR THE SPRINKLER SYSTEM W/ OUT DISTORTION WHILE THE HEADS ARE SET AWAY FROM THE PAVING EDGE TO AVOID OVERSPRAY.
2. BLANK Techline® EZ DRIPLINE IS USED TO JOIN THE LATERALS ACROSS THE HIGH POINT TO ENHANCE THE FUNCTION OF THE AIR/VACUUM RELIEF VALVE.

00

## Techline® EZ USED AS PERIMETER TRIM

NOT TO SCALE

 **NETAFIM™**

DETAIL – EZ106