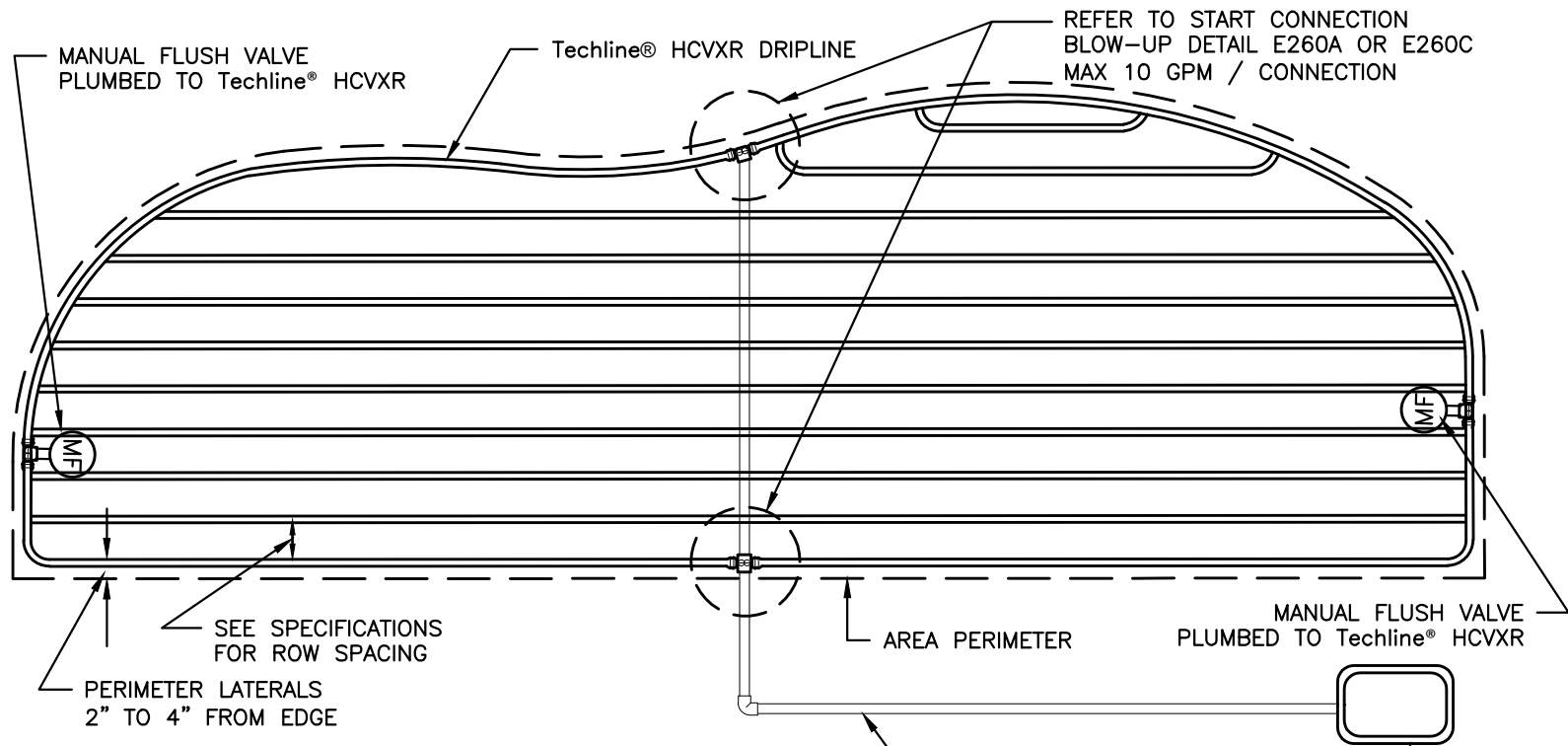


LIMITATIONS:

ALLOWING FOR A WIDE VARIETY OF APPLICATIONS AND CONDITIONS, NETAFIM IRRIGATION INC. IS NOT RESPONSIBLE FOR CORRECTNESS OR APPLICABILITY TO PURPOSE OR COMPATIBILITY TO ANY SITE OR JOB CONDITION. WARRANTY FOR SUITABILITY IS NOT GIVEN OR IMPLIED. MODIFICATIONS FOR SPECIFIC PURPOSES MAY BE NECESSARY AND ARE THE SPECIFIERS' RESPONSIBILITY. THE USE OF THESE DETAILS SHALL NOT BE RESTRICTED AND PUBLICATION THEREOF IS NOT LIMITED TO ANY PURPOSE. REPRODUCTION, PUBLICATION AND REUSE BY ANY METHOD IN WHOLE OR PART IS FULLY AUTHORIZED. OWNERSHIP IS RETAINED BY NETAFIM IRRIGATION INC. VISUAL CONTACT WITH THESE DETAILS SHALL CONSTITUTE PRIMA FACIE EVIDENCE OF THE ACCEPTANCE OF THESE RESTRICTIONS.



**NOTE:**

- CENTER FEED LITE LAYOUTS ALLOW 2X MAX TUBING LENGTH OF STANDARD LAYOUTS.
- CHECK VALVE HOLDS BACK 8.5' OF WATER
- MAX LINE DISTANCE FOR CENTER FEED LITE LAYOUT @ 57 PSI INLET; REFER TO FULL CHART FOR ALTERNATE PRESSURES:

.33 @ 12" o.c. = 1,056'	.77 @ 12" o.c. = 606'
.33 @ 18" o.c. = 1,504'	.77 @ 18" o.c. = 864'
.53 @ 12" o.c. = 774'	1.16 @ 12" o.c. = 460'
.53 @ 18" o.c. = 1,104'	1.16 @ 18" o.c. = 658'

REMOTE CONTROL VALVE WITH DISC FILTER AND PRV.  
 $\frac{3}{4}$ " MIN PVC/POLY TUBING TO CONNECTION; SIZE BASED UPON OVERALL SYSTEM DEMAND.

00

**Techline® HCVXR LITE IRREGULAR AREAS - RETROFIT**

NOT TO SCALE



DETAIL - H104A LITE