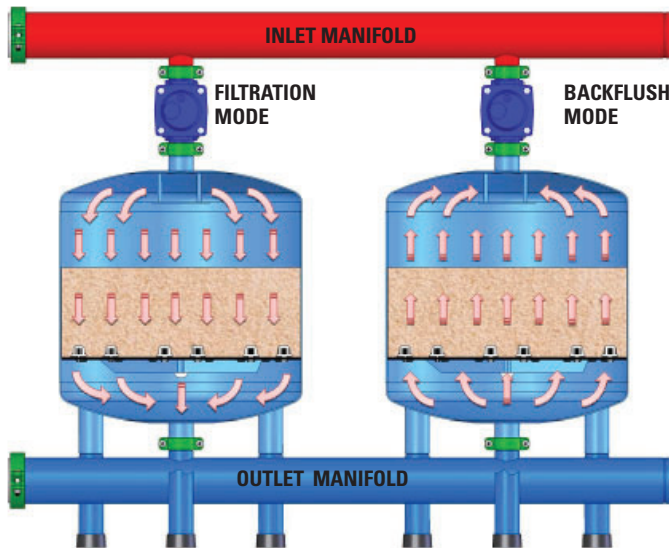


SANDSTORM™

DOUBLE CHAMBER METAL MEDIA FILTER



DESCRIPTION OF OPERATION

Water enters the filter via the inlet and spreads equally on the media. Solids and organic materials are trapped within the media. The clean water passes through the media and flows out via the nozzles. The backflush cleaning process is done by shutting the inlet of the filter with the 3-way backflush valve and allowing the water to enter from the bottom, lifting the media and releasing the solids that exit the filter through the outlet manifold. This process can be controlled automatically.

PRODUCT ADVANTAGES

- Two layer coating (phenolic and epoxy) for industry leading high corrosion and UV protection - for both the tanks and the manifolds.
- Modular manifolds for simple and flexible assembly and expansion.
- Wide range of tank diameters and configurations to address all application needs.
- Double chambered filter allows for efficient filtration and backflush uniformity.
- Multiple mushrooms provide four times more open flow area ensuring uniform water collection and backflush.
- Each mushroom produces equal pressure during backflushing cleaning the entire sand media bed.

APPLICATIONS

- Excellent for high pressure applications
- Primary filter for water from open reservoirs and recycled water
- Filtration of water contaminated with algae and other organic materials

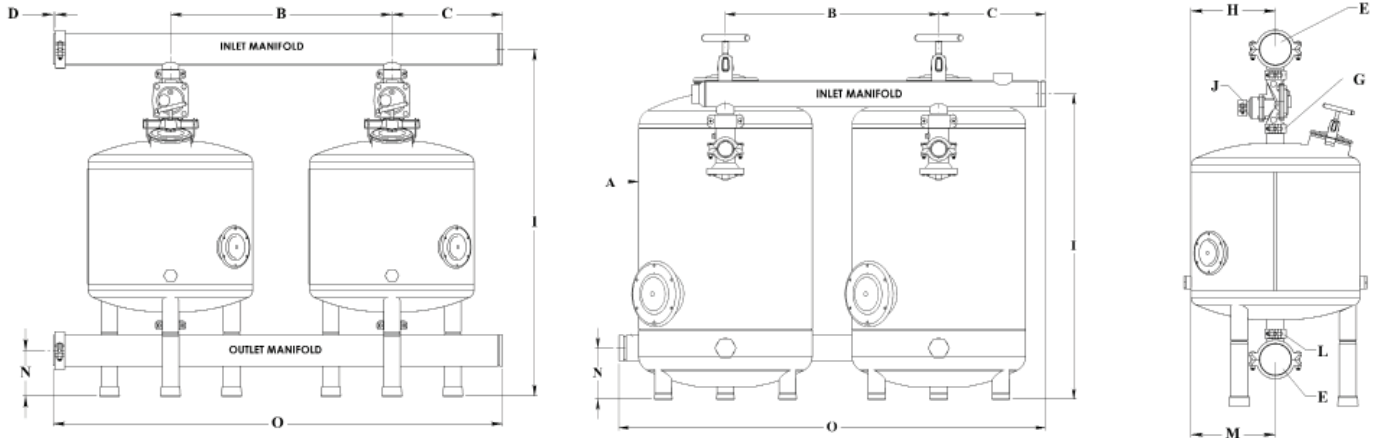
SPECIFICATIONS

- Maximum Operating Pressure: 115 psi
- Backflushing Flow Rate:
 - 16" Filter Battery - 26 GPM
 - 20" Filter Battery - 66 GPM
 - 24" Filter Battery - 97 GPM
- Access Ports:
 - Tank Dome with tightening handle
 - Tank Body secured by bolts

MATERIALS

- Filter Body: Epoxy Coated Carbon Steel

SANDSTORM DOUBLE CHAMBER STEEL MEDIA FILTER



TWO TANK SYSTEM SPECIFICATIONS

| KEY | DESCRIPTION | 16" | 20" | 24" |
|-----|--------------------------|--------|--------|--------|
| A | TANK DIAMETER | 16" | 20" | 24" |
| B | DISTANCE BETWEEN TANKS | 19.6" | 23.6" | 29.53" |
| C | DISTANCE TO MANIFOLD END | 9.8" | 11.8" | 14.76" |
| D | END CAP LENGTH | 0.78" | 0.78" | 0.78" |
| E | INLET/OUTLET MANIFOLD | 4" | 4" | 4" |
| G | INLET PORT FITTING | 2" FPT | 2" FPT | 2" FPT |
| H | INLET MANIFOLD LOCATION | 13.18" | 14.17" | 16.77" |
| I | INLET MANIFOLD HEIGHT | 40.15" | 42.24" | 42.26" |
| J | BACKFLUSH PORT FITTING | 2" FPT | 2" FPT | 2" FPT |
| L | OUTLET PORT SIZE | 2" GR | 2" GR | 2" GR |
| M | OUTLET MANIFOLD LOCATION | 13.61" | 15.32" | 17.68" |
| N | OUTLET MANIFOLD HEIGHT | 7.09" | 7.09" | 7.09" |
| O | TOTAL LENGTH | 39.2" | 47.2" | 59.06" |
| P | TOTAL WEIGHT (LBS.) | 310 | 370 | 490 |

FLOW RANGE (GPM)

| # FILTERS/SIZE | FLOW RANGE (GPM) |
|----------------|------------------|
| 2 - 16" | 22 - 52 |
| 2 - 20" | 78 - 132 |
| 3 - 20" | 117 - 198 |
| 2 - 24" | 114 - 192 |
| 3 - 24" | 171 - 288 |

SPECIFICATIONS

| TANK SIZE | FILTRATION AREA | MEDIA REQUIRED | TANK WEIGHT |
|-----------|-----------------|----------------|-------------|
| 16" | 1.40 SQ. FT. | 200 LBS. | 132 LBS. |
| 20" | 2.15 SQ. FT. | 260 LBS. | 165 LBS. |
| 24" | 3.12 SQ. FT. | 400 LBS. | 242 LBS. |

MEDIA REQUIRED refers to Crushed Silica Sand

GR = Groove FL = Flange

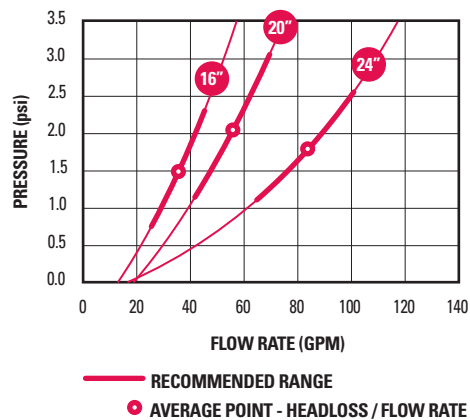
ORDERING INFORMATION

| MODEL NUMBER | # FILTERS/SIZE |
|----------------|----------------|
| 2SMFDBS1602AAC | 2 - 16" |
| 2SMFDBS2002AAC | 2 - 20" |
| 2SMFDBS2003AAC | 3 - 20" |
| 2SMFDBS2402AAC | 2 - 24" |
| 2SMFDBS2403AAC | 3 - 24" |

ORDERING - TANK ONLY

| MODEL NUMBER | TANK SIZE |
|--------------|-----------|
| 2SMFD16GR | 16" |
| 2SMFD20GR | 20" |
| 2SMFD24GR | 24" |

HEADLOSS (FLOW VS. PRESSURE)



NETAFIM USA
 5470 E. HOME AVE.
 FRESNO, CA 93727
 CS 888 638 2346
 www.netafimusa.com