



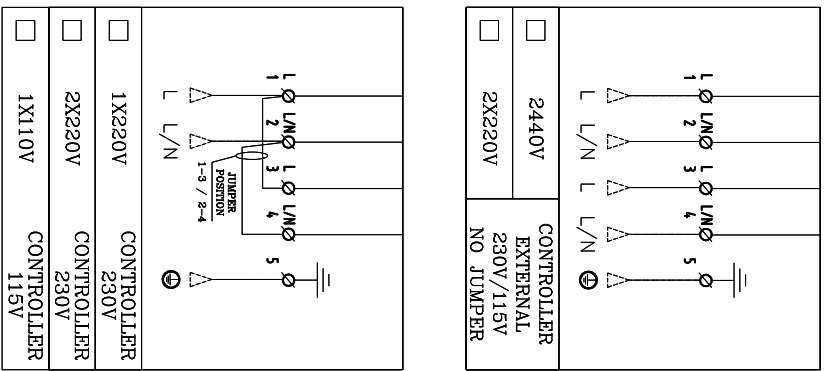
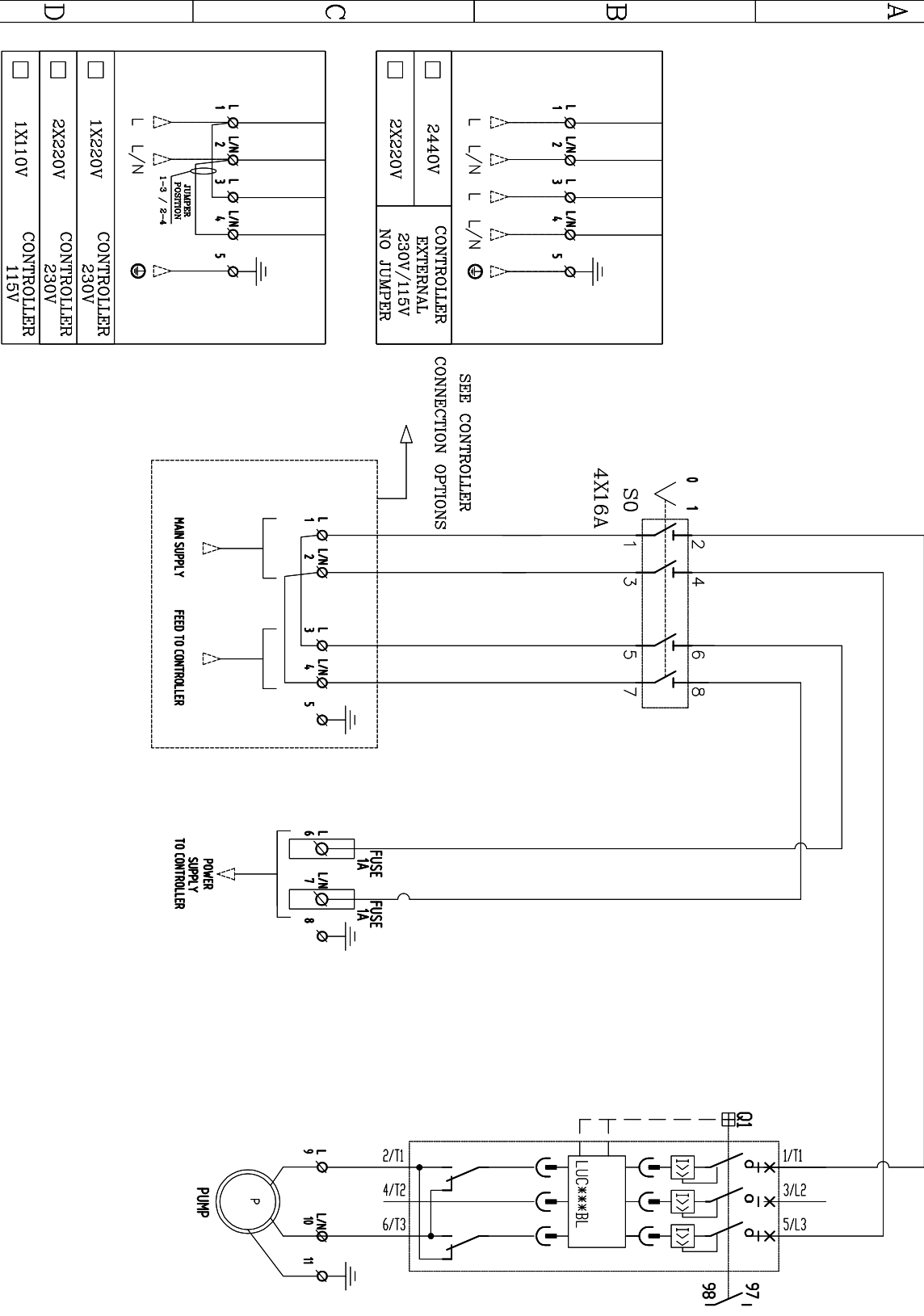
FERTTIKIT SWITCHBOARDS

FC-SWB-LUB12-CC12B-1PH

33220-001310

1	2	3	4	5	6	7	8	9
DESCRIPTION:		FC-SWB-LUB12-CC12B-1PH		WORK NO:		DES:		DATE:
SAP NUMBER:		33220-001310		APPROVED:	PLANNER:	DRAWN:	SHEET:	UPDATE1:
				MR. RAZI	AAMER	OF:	1	
							7	UPDATE2:
								26.09.16



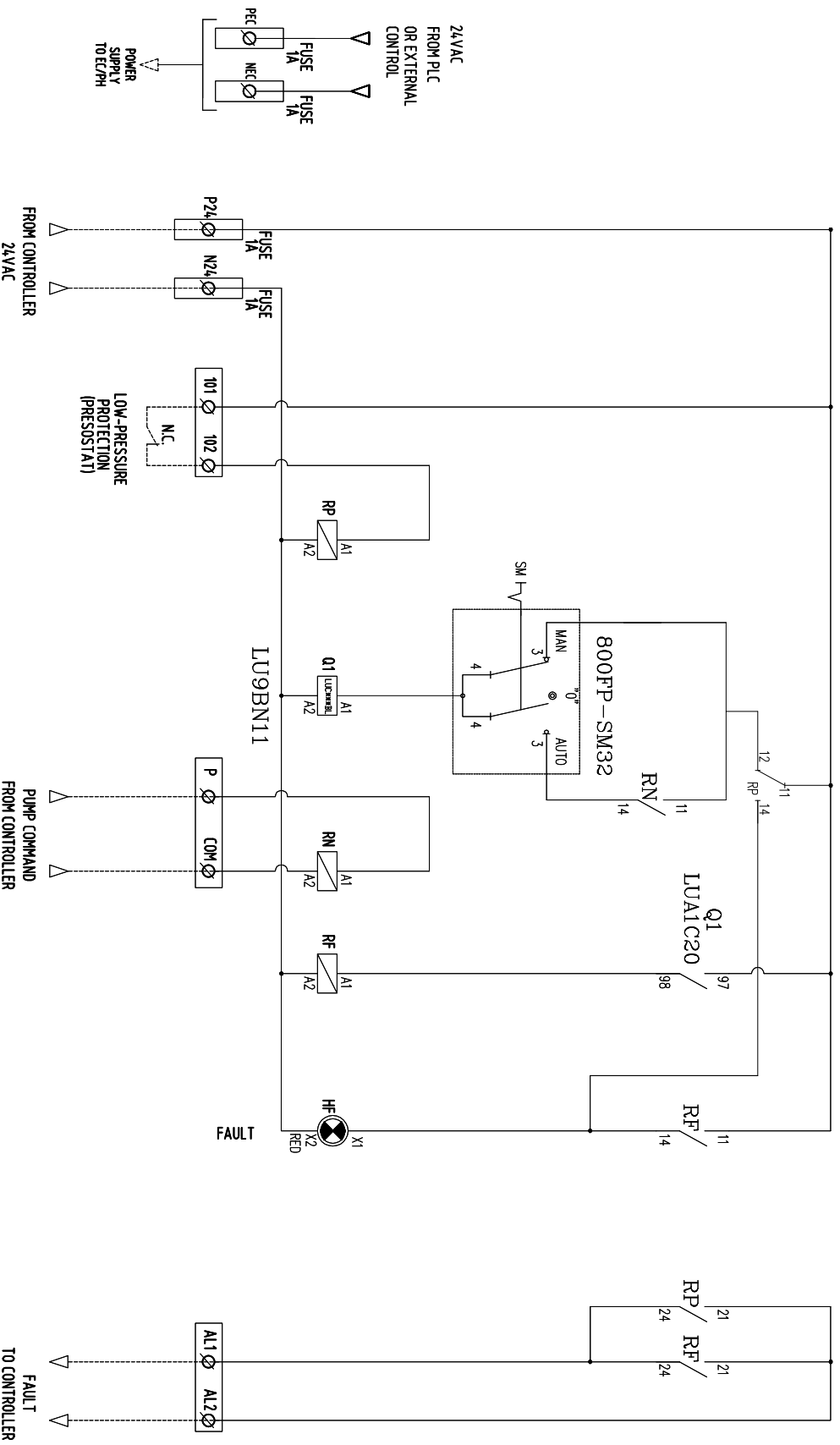


SEE CONTROLLER CONNECTION OPTIONS

O.L. motor protection		
VOLTAGE	220V	110V
LUC 12B	2.2KW	1.1KW

DESCRIPTION:	FC-SWB-LUB12-CC12B-1PH	WORK NO:		DES:	
SAP NUMBER:	35220-001310	APPROVED:	MR. RAZI	DRAWN:	AAMER
		PLANNER:	MR. RAZI	SHEET:	2
				OF:	7
				DATE:	26.09.16
				UPDATE1:	
				UPDATE2:	





DESCRIPTION:	FC-SWB-LUB12-CC12B-1PH	WORK NO:	
SAP NUMBER:	33220-001310	APPROVED:	PLANNER: MR. RAZI
		DRAWN:	AAMER
		SHEET:	3
		OF:	7
DATE:	26.09.16	UPDATE1:	
UPDATE2:			



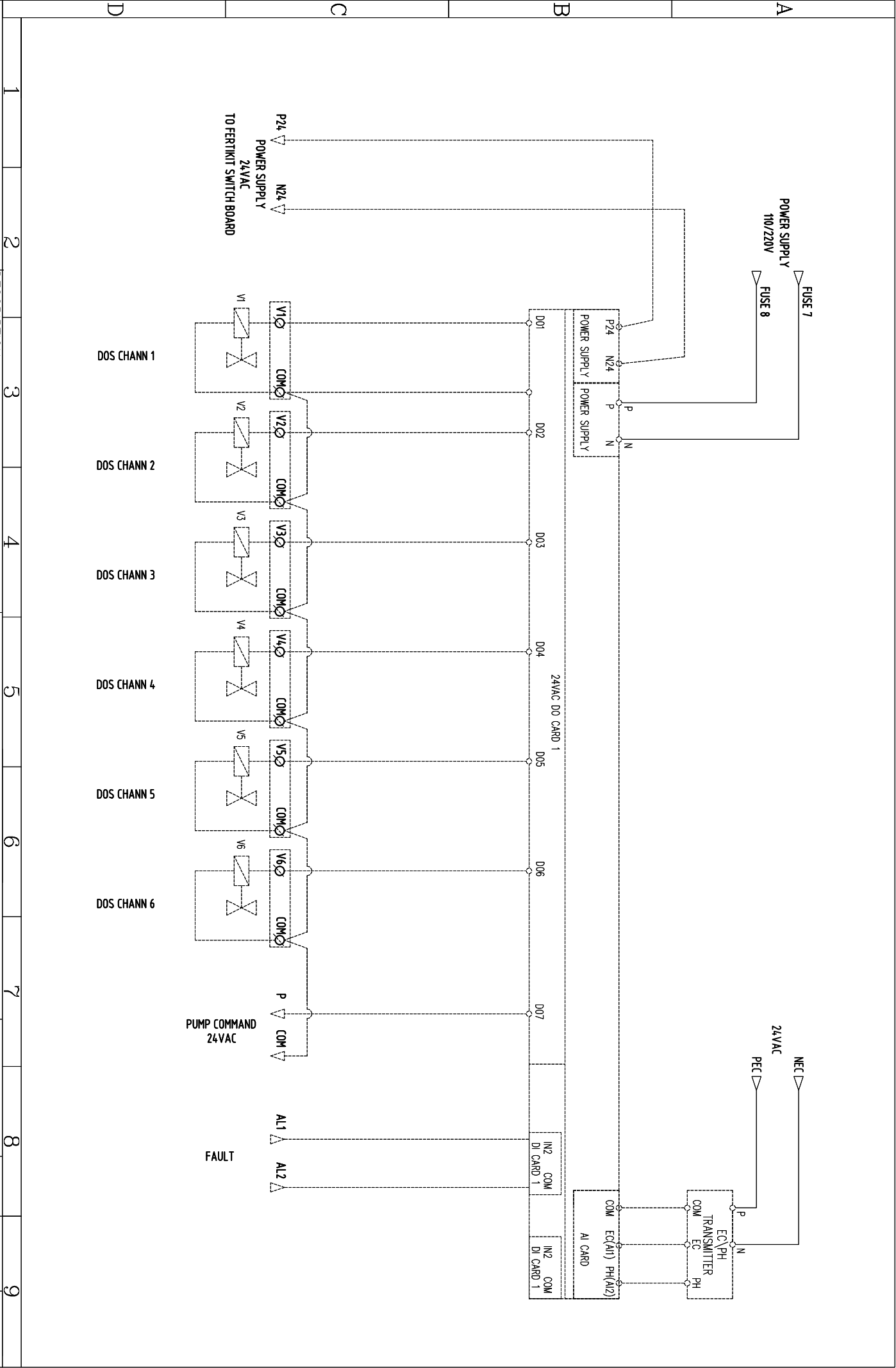
1 2 3 4 5 6 7 8 9

A

B

C

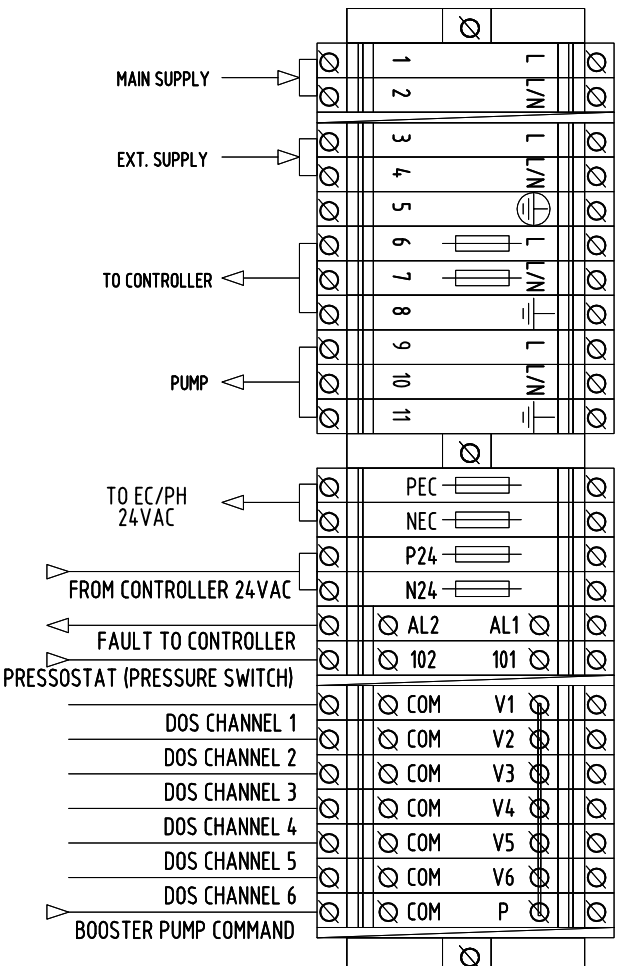
D



DESCRIPTION:		FC-SWB-LUB12-CC12B-1PH	
SAP NUMBER:		33220-001310	
WORK NO:			
APPROVED:	PLANNER:	DRAWN:	SHEET:
MR. RAZI	MR. RAZI	AAMER	4
DES:			
DATE:	UPDATE1:		
26.09.16			
UPDATE2:			

TERMINAL LIST X1

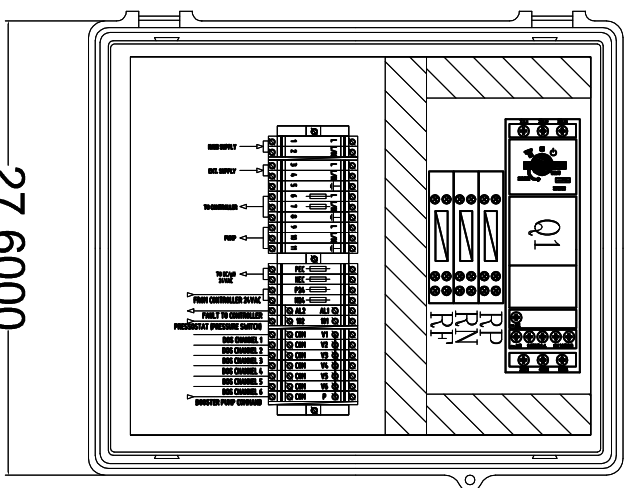
TERMINAL BLOCK	VOLTAGE	TERM SYMBOL	TERM COLOR	WIRE COLOR	TERM SECTION
MODULAR	110-220V	L1	GRAY	BROWN	4 M ² M
MODULAR	110-220V	2L/N	GRAY	BLUE	4 M ² M
MODULAR	110-220V	L3	BLACK	BLACK	4 M ² M
MODULAR	110-220V	4L/N	BLUE	BLUE	4 M ² M
GROUND	GND		YELLOW/GR	YELLOW/GR	4 M ² M
WITH LED FUSE	EXTERNAL VOLTAGE	L6/L7/N	BLACK	BLACK	4 M ² M
WITH LED FUSE	24VAC	P24	BLACK	WHITE	4 M ² M
WITH LED FUSE	24VAC	N24	BLACK	GRAY	4 M ² M
WITH LED FUSE	24VAC	PEC	BLACK	WHITE	4 M ² M
WITH LED FUSE	24VAC	NEC	BLACK	GRAY	4 M ² M
Double-level	24VAC	101-104	GRAY	WHITE	4 M ² M
Double-level	24VAC	AL1-AL2	GRAY	WHITE	4 M ² M
Double-level	24VAC	V1-V6	GRAY	WHITE	4 M ² M
Double-level	24VAC	COM	GRAY	GRAY	4 M ² M



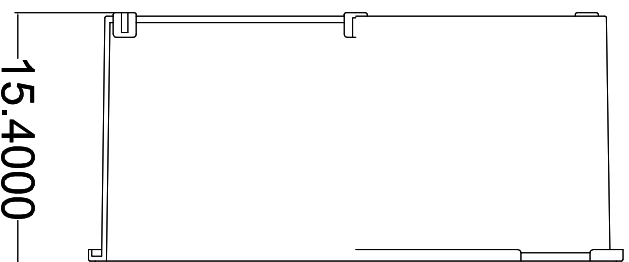
1	2	3	4	5	6	7	8	9
DESCRIPTION: FC-SWB-LUB12-CC12B-1PH				WORK NO:				
SAP NUMBER: 33220-001310		APPROVED:		PLANNER: MR. RAZI		DRAWN: AAMER		SHEET: 5 OF: 7
				DES:		DATE: 26.09.16		
				UPDATE1:		UPDATE2:		



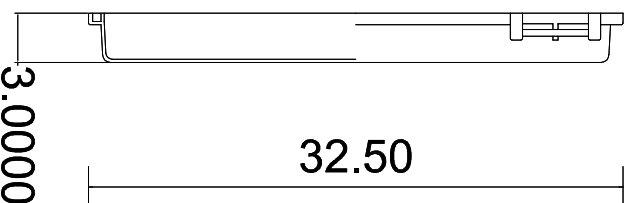
FRONT VIEW



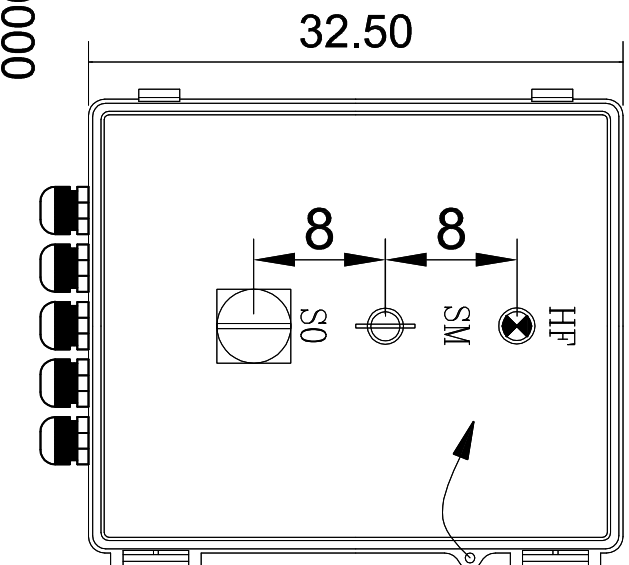
BODY



COVER

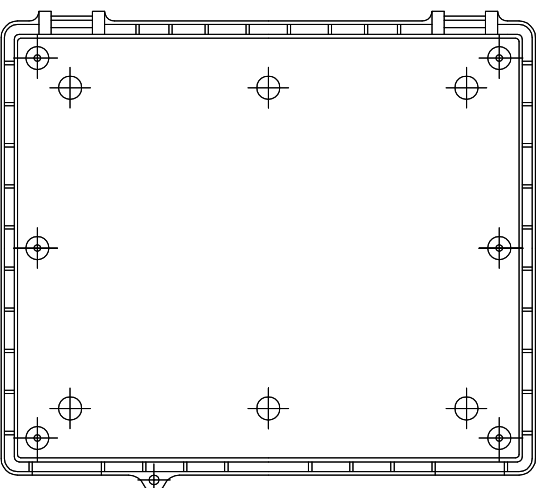


COVER VIEW

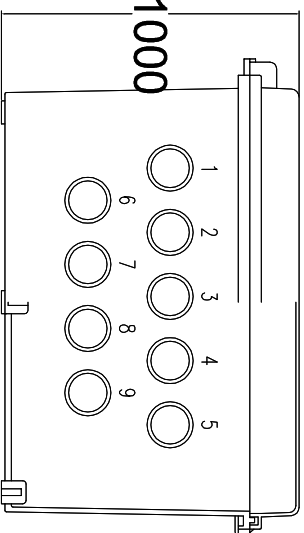


27.6000

BACK VIEW



BOTTOM VIEW



18.1000

PG LIST

1-5,9	PG 16
6-8	PG 13.5

A
B
C
D
1
2
3
4
5
6
7
8
9



DESCRIPTION: FC-SWB-LUB12-CC12B-1PH

SAP NUMBER: 33220-001310

WORK NO:

APPROVED:

PLANNER: MR. RAZI

DRAWN: AMMER

SHEET: 6 OF: 7

DES:

DATE: 26.09.16

UPDATE1:

UPDATE2:

A

EQUIPMENT LIST

TYPE / MODEL	TECHNICAL DATA	CAT. NUMBER	MANUFACTURER	ACCESSORY	SYMBOL
194L-E16-1754	4X16A	ON REQUEST	ALLEN BRADLEY	MAIN SWITCH	S0
LUB12	12A	ON REQUEST	TELEMECANIQUE	BREAKER BASE	Q1
LUC12B	3-12A 1X100-240V COMMAND 24VAC	77100-013640	TELEMECANIQUE	BREAKER OVERLOAD PROTECTION	
800FP-SM32	6A	ON REQUEST	ALLEN BRADLEY	SELECTOR SWITCH	
28-33-518	24VAC	28-33-518	PHOENIX CONTACT	RELAY	RP
28-33-518	24VAC	28-33-518	PHOENIX CONTACT	RELAY	RN
28-33-518	24VAC	28-33-518	PHOENIX CONTACT	RELAY	RF
UK5-HESI	1A	ON REQUEST	PHOENIX CONTACT	TERMINAL WITH LED FUSE	FUSE
UK5-HESI	1A	ON REQUEST	PHOENIX CONTACT	TERMINAL WITH LED FUSE	FUSE
PL16-22D	LED-24VAC	ON REQUEST	SALZER	INDICATOR LAMP	HF
NE-PG-2530	276 X 184 X 325 mm	ON REQUEST	DSE-HIBOX	ELEC. BOARD	
179 1201	GLASS 5x20mm-1AT	77100-000470	SIBA	SPARE FUSE	

D

1

2

3

4

5

6

7

8

9

DESCRIPTION:

FC-SWB-LUB12-CC12B-1PH

WORK NO:

DES:

DATE: 26.09.16

SAP NUMBER:

33220-001310

APPROVED:

PLANNER:

MR. RAZI

DRAWN:

AAMER

SHEET:

7

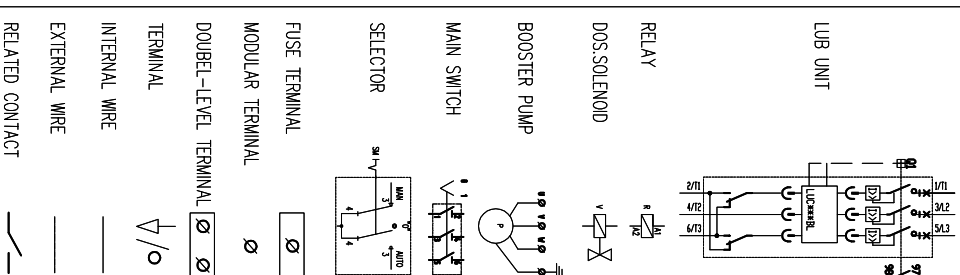
OF:

7

UPDATE1:

UPDATE2:

ELECT-SYMBOL



B

C

