
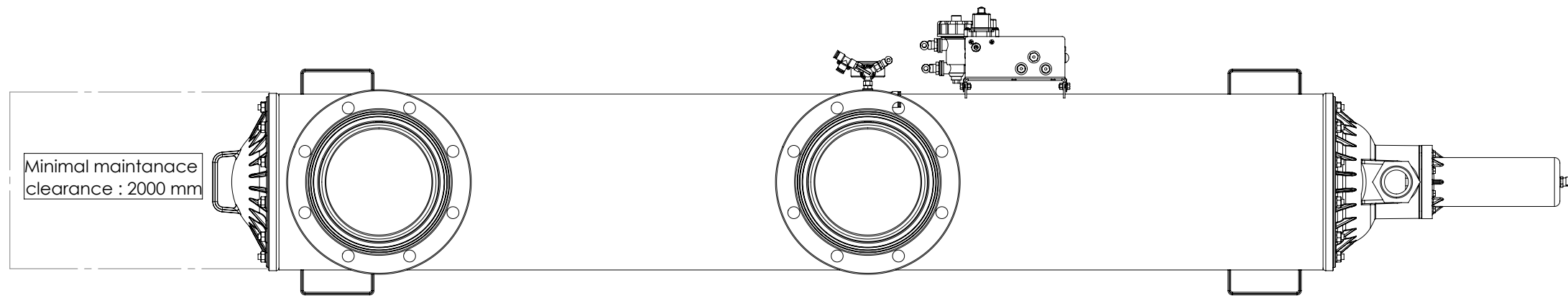
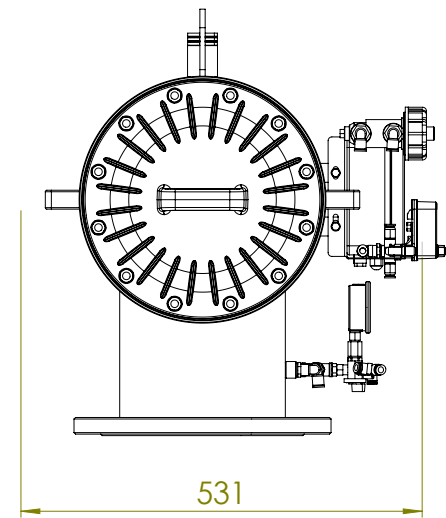
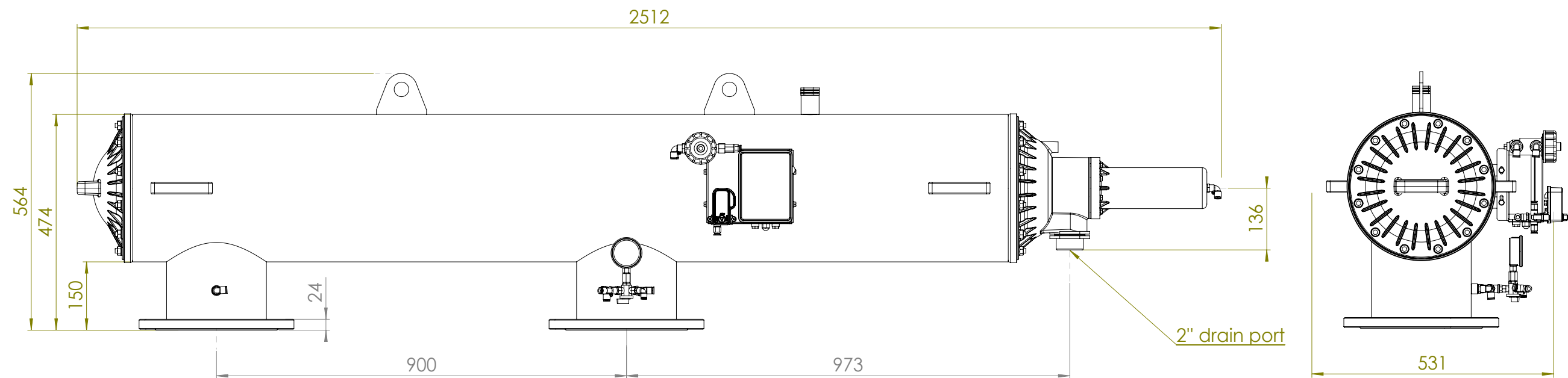
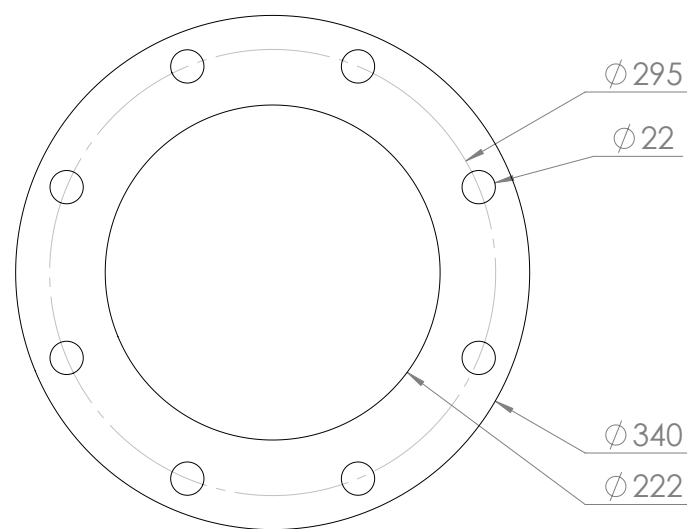


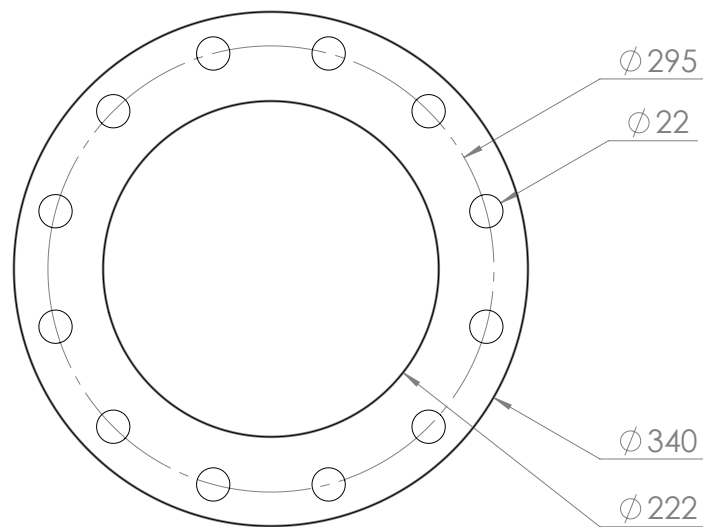
Material: ST37 / PA30		Project: Screen Guard		 <p>PROPRIETARY AND CONFIDENTIAL THE INFORMATION CONTAINED IN THIS DRAWING IS THE SOLE PROPERTY OF NETAFIM. ANY REPRODUCTION IN PART OR AS A WHOLE WITHOUT THE WRITTEN PERMISSION OF NETAFIM IS PROHIBITED.</p>																																																		
Finish:		Subject: Automatic Screen filter																																																				
Drawing No. N126884/1		Part Name: SGH 8																																																				
Part No. A-29148-020518		Quantity: 1																																																				
General Tolerance According to ISO 2768-f				Designed By a21434																																																		
<table border="1"> <thead> <tr> <th colspan="8">LINEAR DIMENSIONS</th> <th colspan="4">ANGULAR DIMENSIONS</th> </tr> <tr> <th colspan="8">Permissible deviations in mm for ranges in nominal lengths</th> <th colspan="4">Permissible deviations in degrees and minutes for ranges in nominal lengths</th> </tr> <tr> <th>≥ 0.5</th> <th>> 3</th> <th>> 6</th> <th>> 30</th> <th>> 120</th> <th>> 400</th> <th>> 1000</th> <th>> 2000</th> <th>≤ 10°</th> <th>> 10°</th> <th>> 50°</th> <th>> 120°</th> <th>> 400°</th> </tr> </thead> <tbody> <tr> <td>±0.05</td> <td>±0.05</td> <td>±0.1</td> <td>±0.15</td> <td>±0.2</td> <td>±0.3</td> <td>±0.5</td> <td>-</td> <td>±1°</td> <td>±0°30'</td> <td>±0°20'</td> <td>±0°10'</td> <td>±0°5'</td> </tr> </tbody> </table>				LINEAR DIMENSIONS								ANGULAR DIMENSIONS				Permissible deviations in mm for ranges in nominal lengths								Permissible deviations in degrees and minutes for ranges in nominal lengths				≥ 0.5	> 3	> 6	> 30	> 120	> 400	> 1000	> 2000	≤ 10°	> 10°	> 50°	> 120°	> 400°	±0.05	±0.05	±0.1	±0.15	±0.2	±0.3	±0.5	-	±1°	±0°30'	±0°20'	±0°10'	±0°5'	Drawn By a21434
LINEAR DIMENSIONS								ANGULAR DIMENSIONS																																														
Permissible deviations in mm for ranges in nominal lengths								Permissible deviations in degrees and minutes for ranges in nominal lengths																																														
≥ 0.5	> 3	> 6	> 30	> 120	> 400	> 1000	> 2000	≤ 10°	> 10°	> 50°	> 120°	> 400°																																										
±0.05	±0.05	±0.1	±0.15	±0.2	±0.3	±0.5	-	±1°	±0°30'	±0°20'	±0°10'	±0°5'																																										
3-D Proj.	Sheet Size: A3	Scale: 1:20	Checked By QA																																																			
File Name: SGH8 installation dimensions.slddrw				Sheet: 1																																																		
				Of: 9																																																		
				Rev: -																																																		



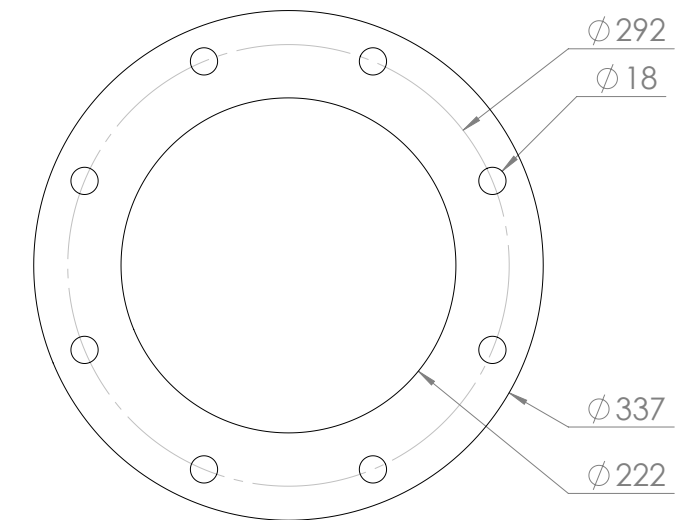
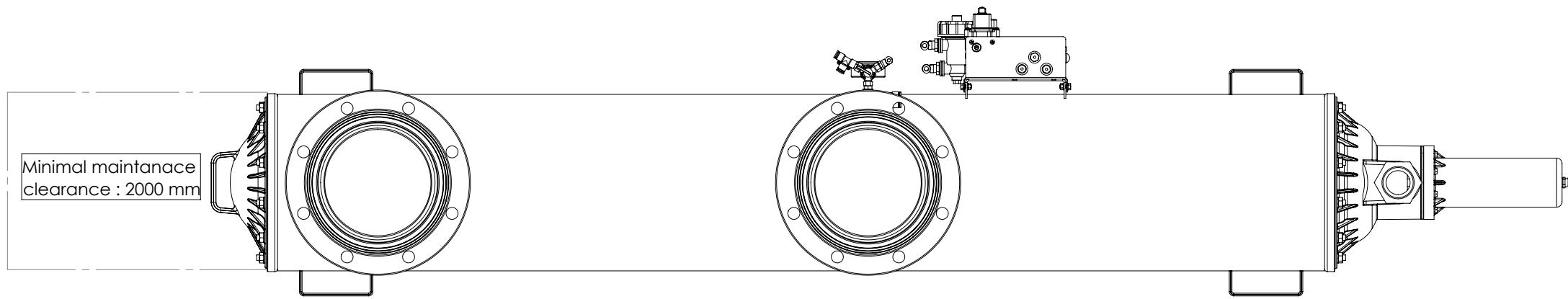
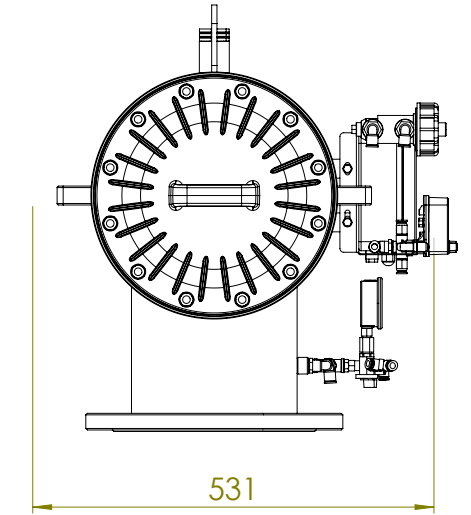
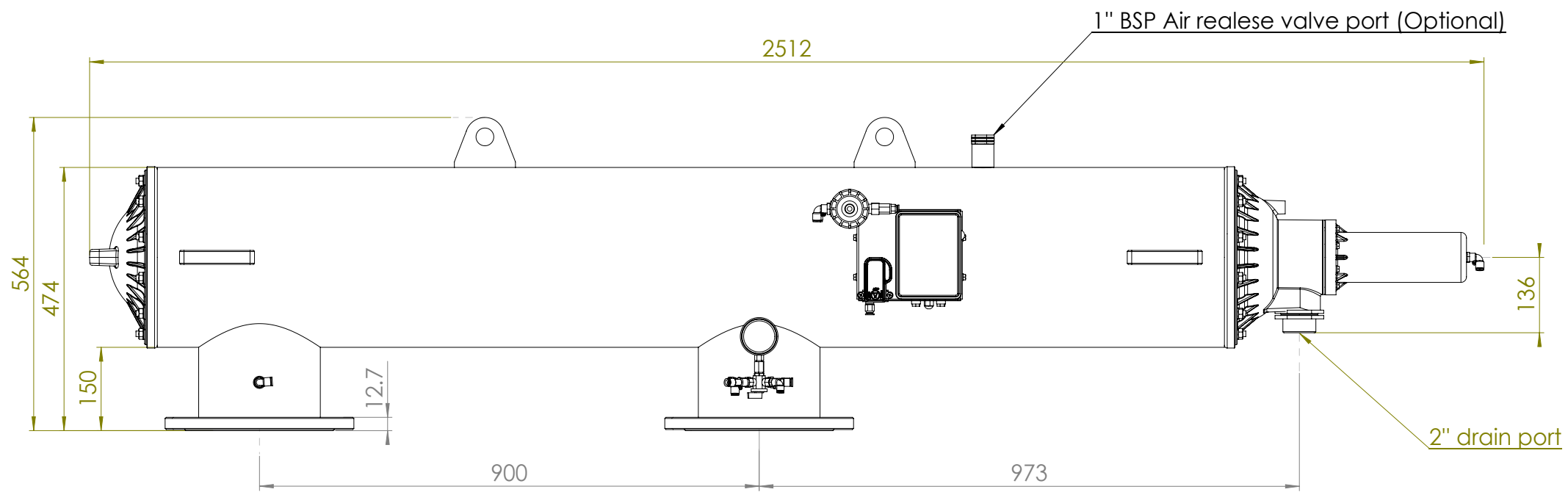
ISO PN10



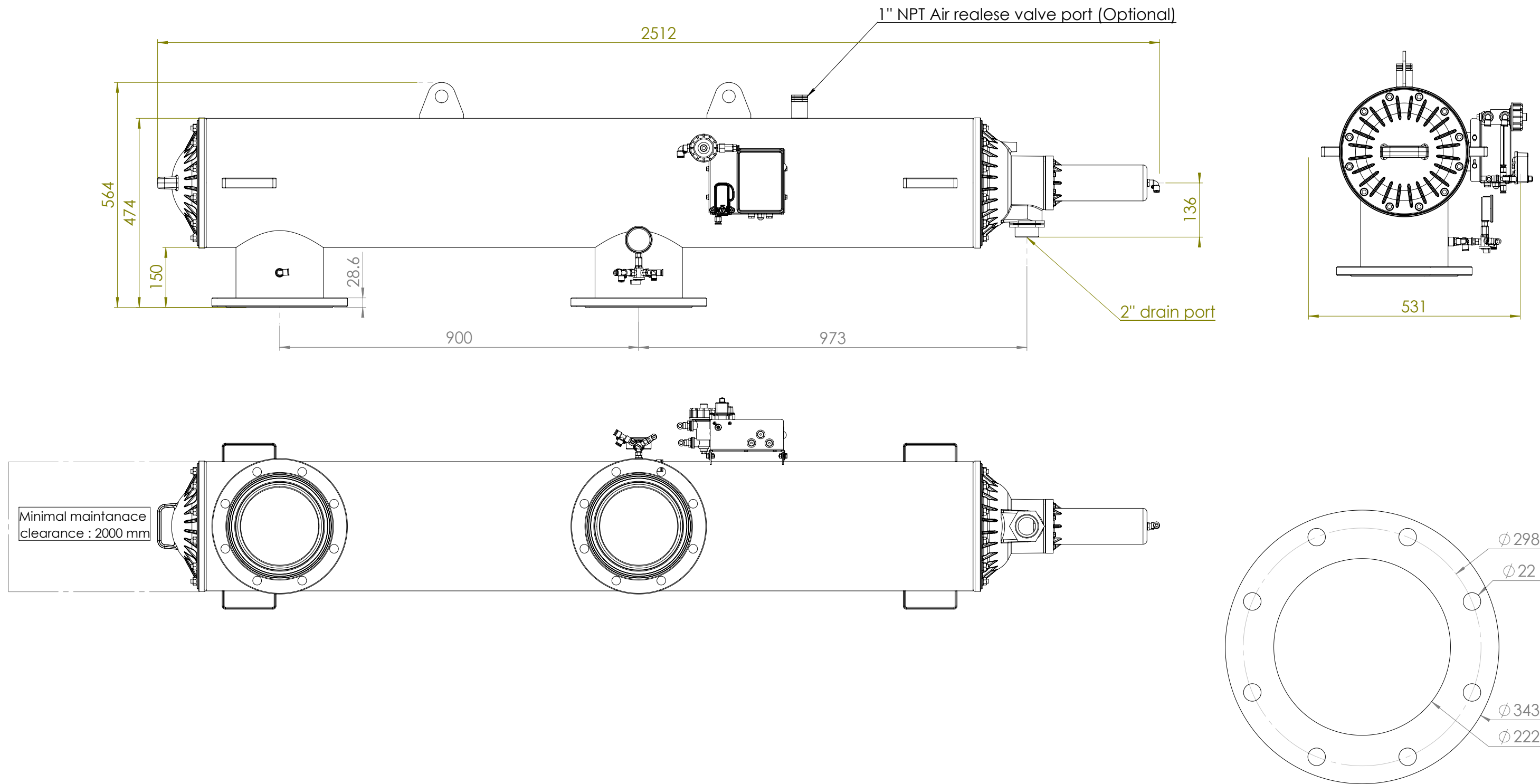
ISO PN16



REV.	DESCRIPTION	DATE	APPROVED
Material:	ST37 / PA30	Project:	Screen Guard
Finish:		Subject:	Automatic Screen Filter
Drawing No.	N126884/1	Part Name:	SGH 8 ISO PN10/16
Part No.	A-29148-020518	Quantity:	1
General Tolerance According to ISO 2768-f		Permissible deviations in mm for ranges in nominal lengths LINEAR DIMENSIONS Permissible deviations in degrees and minutes for ranges in nominal lengths ANGULAR DIMENSIONS	
3-D Proj.	Sheet Size: A3	Scale: 1:20	Permissible deviations in mm for ranges in nominal lengths LINEAR DIMENSIONS Permissible deviations in degrees and minutes for ranges in nominal lengths ANGULAR DIMENSIONS
File Name: SGH8 installation dimensions.slddrw			
Designed By	a21434	02 May 2018	NETAFIM™ PROPRIETARY AND CONFIDENTIAL THE INFORMATION CONTAINED IN THIS DRAWING IS THE SOLE PROPERTY OF NETAFIM. ANY REPRODUCTION IN PART OR AS A WHOLE WITHOUT THE WRITTEN PERMISSION OF NETAFIM IS PROHIBITED.
Drawn By	a21434	16 May 2018	
Checked By	QA		
Sheet:	2	Of:	9
Rev.:			-



REV.	DESCRIPTION	DATE	APPROVED																																																
Material:	ST37 / PA30	Project:	Screen Guard																																																
Finish:		Subject:	Automatic Screen Filter																																																
Drawing No.	N126884/1	Part Name:	SGH 8 BSTD																																																
Part No.	A-29148-020518	Quantity:	1																																																
3-D Proj.		Sheet Size:	A3																																																
Scale:		1:20																																																	
General Tolerance According to ISO 2768-f																																																			
<table border="0"> <tr> <th colspan="6">LINEAR DIMENSIONS</th> <th colspan="5">ANGULAR DIMENSIONS</th> </tr> <tr> <td colspan="6">Permissible deviations in mm for ranges in nominal lengths</td> <td colspan="5">Permissible deviations in degrees and minutes for ranges in nominal lengths</td> </tr> <tr> <td>≥ 0.5</td> <td>> 3</td> <td>> 6</td> <td>> 30</td> <td>> 120</td> <td>> 400</td> <td>> 1000</td> <td>> 2000</td> <td>≤ 10°</td> <td>> 10°</td> <td>> 50°</td> <td>> 120°</td> <td>> 400°</td> </tr> <tr> <td>± 0.05</td> <td>± 0.05</td> <td>± 0.1</td> <td>± 0.15</td> <td>± 0.2</td> <td>± 0.3</td> <td>± 0.5</td> <td>-</td> <td>± 1°</td> <td>± 0°30'</td> <td>± 0°20'</td> <td>± 0°10'</td> <td>± 0°5'</td> </tr> </table>				LINEAR DIMENSIONS						ANGULAR DIMENSIONS					Permissible deviations in mm for ranges in nominal lengths						Permissible deviations in degrees and minutes for ranges in nominal lengths					≥ 0.5	> 3	> 6	> 30	> 120	> 400	> 1000	> 2000	≤ 10°	> 10°	> 50°	> 120°	> 400°	± 0.05	± 0.05	± 0.1	± 0.15	± 0.2	± 0.3	± 0.5	-	± 1°	± 0°30'	± 0°20'	± 0°10'	± 0°5'
LINEAR DIMENSIONS						ANGULAR DIMENSIONS																																													
Permissible deviations in mm for ranges in nominal lengths						Permissible deviations in degrees and minutes for ranges in nominal lengths																																													
≥ 0.5	> 3	> 6	> 30	> 120	> 400	> 1000	> 2000	≤ 10°	> 10°	> 50°	> 120°	> 400°																																							
± 0.05	± 0.05	± 0.1	± 0.15	± 0.2	± 0.3	± 0.5	-	± 1°	± 0°30'	± 0°20'	± 0°10'	± 0°5'																																							
File Name: SGH8 installation dimensions.slddrw																																																			
Designed By	a21434	02 May 2018	<p>PROPRIETARY AND CONFIDENTIAL THE INFORMATION CONTAINED IN THIS DRAWING IS THE SOLE PROPERTY OF NETAFIM. ANY REPRODUCTION IN PART OR AS A WHOLE WITHOUT THE WRITTEN PERMISSION OF NETAFIM IS PROHIBITED.</p>																																																
Drawn By	a21434	16 May 2018																																																	
Checked By																																																			
QA			Sheet: 3 Of: 9 Rev: -																																																



REV.	DESCRIPTION	DATE	APPROVED																																												
Material:	ST37 / PA30	Project:	Screen Guard																																												
Finish:		Subject:	Automatic Screen Filter																																												
Drawing No.	N126884/1	Part Name:	SGH 8 ASME B16.5 class 150																																												
Part No.	A-29148-020518	Quantity:	1																																												
3-D Proj.		Sheet Size:	A3																																												
Scale:		1:20																																													
File Name:		SGH8 installation dimensions.slddrw																																													
General Tolerance According to ISO 2768-f		<table border="1"> <thead> <tr> <th colspan="6">LINEAR DIMENSIONS</th> <th colspan="5">ANGULAR DIMENSIONS</th> </tr> <tr> <th colspan="6">Permissible deviations in mm for ranges in nominal lengths</th> <th colspan="5">Permissible deviations in degrees and minutes for ranges in nominal lengths</th> </tr> <tr> <th>≤ 0.5</th> <th>> 3</th> <th>> 6</th> <th>> 30</th> <th>> 120</th> <th>> 400</th> <th>≤ 10</th> <th>> 10</th> <th>> 50</th> <th>> 120</th> <th>> 400</th> </tr> </thead> <tbody> <tr> <td>±0.05</td> <td>±0.05</td> <td>±0.1</td> <td>±0.15</td> <td>±0.2</td> <td>±0.3</td> <td>±1°</td> <td>±0°30'</td> <td>±0°20'</td> <td>±0°10'</td> <td>±0°5'</td> </tr> </tbody> </table>		LINEAR DIMENSIONS						ANGULAR DIMENSIONS					Permissible deviations in mm for ranges in nominal lengths						Permissible deviations in degrees and minutes for ranges in nominal lengths					≤ 0.5	> 3	> 6	> 30	> 120	> 400	≤ 10	> 10	> 50	> 120	> 400	±0.05	±0.05	±0.1	±0.15	±0.2	±0.3	±1°	±0°30'	±0°20'	±0°10'	±0°5'
LINEAR DIMENSIONS						ANGULAR DIMENSIONS																																									
Permissible deviations in mm for ranges in nominal lengths						Permissible deviations in degrees and minutes for ranges in nominal lengths																																									
≤ 0.5	> 3	> 6	> 30	> 120	> 400	≤ 10	> 10	> 50	> 120	> 400																																					
±0.05	±0.05	±0.1	±0.15	±0.2	±0.3	±1°	±0°30'	±0°20'	±0°10'	±0°5'																																					
Designed By	a21434	02 May 2018	<p>PROPRIETARY AND CONFIDENTIAL THE INFORMATION CONTAINED IN THIS DRAWING IS THE SOLE PROPERTY OF NETAFIM. ANY REPRODUCTION IN PART OR AS A WHOLE WITHOUT THE WRITTEN PERMISSION OF NETAFIM IS PROHIBITED.</p>																																												
Drawn By	a21434	16 May 2018																																													
Checked By																																															
QA			Sheet: 4 Of: 9 Rev. -																																												