

SAP DESCRIPTION:

NC 360506 S

SKU No.

Maximum Flow Rate: 1100 GPM

Recommended Flow Rate: 880 GPM

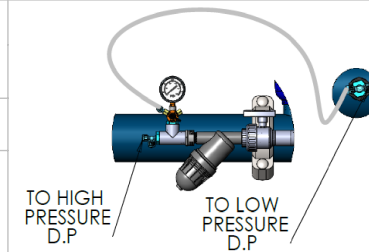
Inlet Pressure: 115 PSI

Sheet Size:

A4

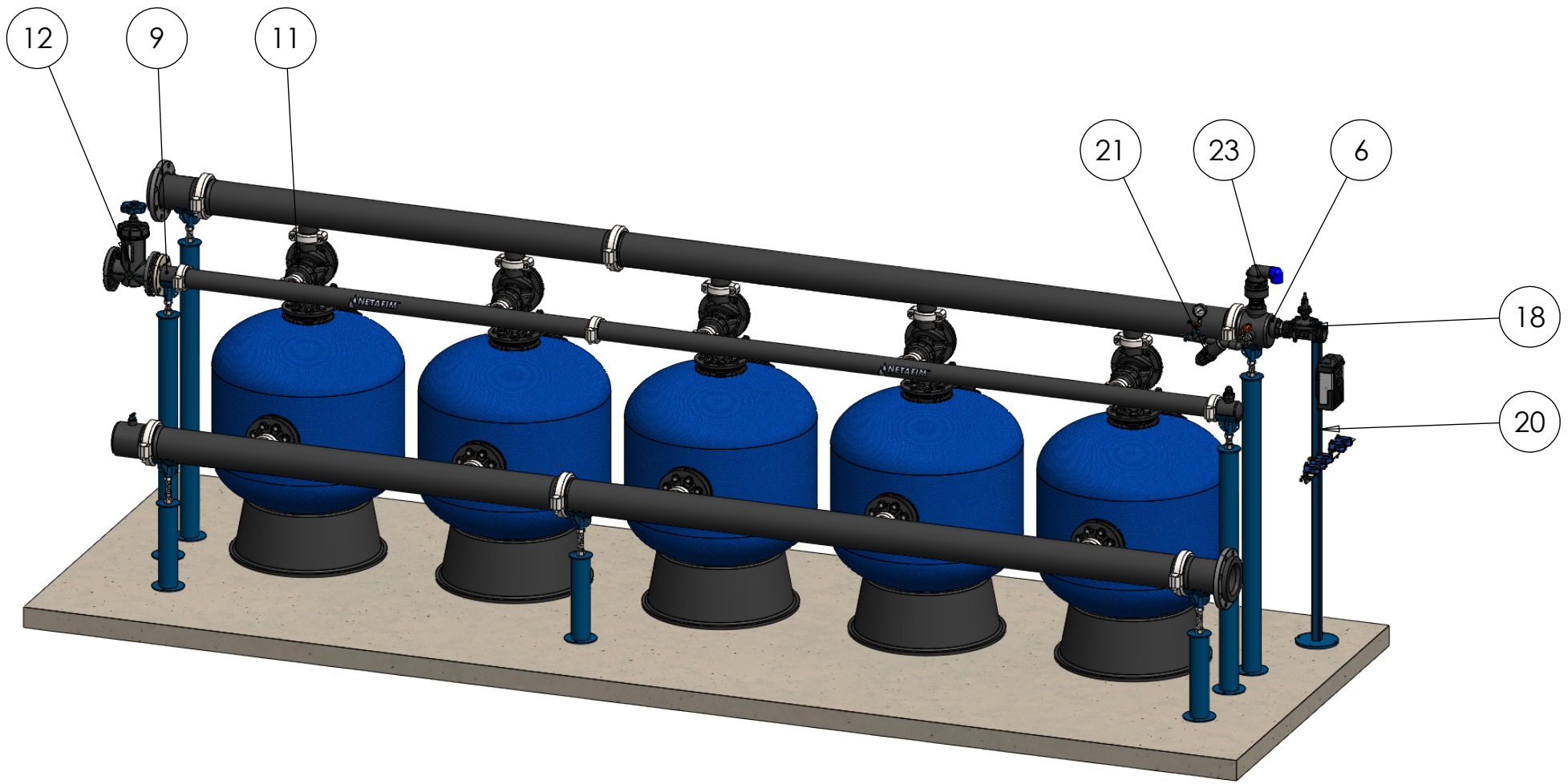
Scale:

1:25



PROPRIETARY AND CONFIDENTIAL
THE INFORMATION CONTAINED IN THIS DRAWING IS THE SOLE PROPERTY OF NETAFIM. ANY REPRODUCTION IN PART OR AS A WHOLE WITHOUT THE WRITTEN PERMISSION OF NETAFIM IS PROHIBITED

| | | |
|-------------|-------|------------|
| Designed By | | |
| Drawn By | KEREM | 02/03/2020 |
| Checked By | | |
| QA | | |
| Sheet: 1 | Of: 3 | Rev. - |



SAP DESCRIPTION:

NC 360506 S

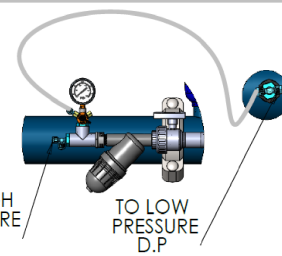
SKU No.

Maximum Flow Rate: 1100 GPM

Recommended Flow Rate: 880 GPM

Inlet Pressure: 115 PSI

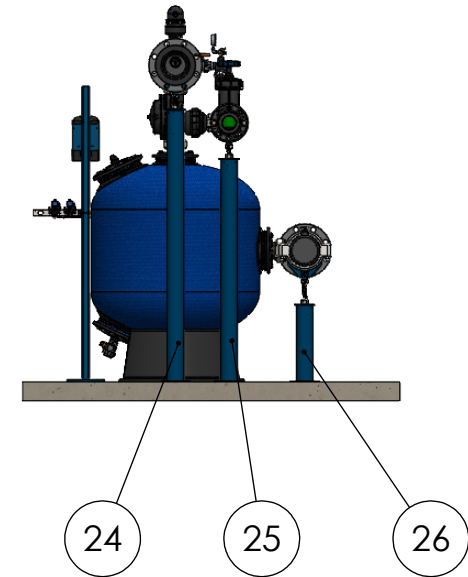
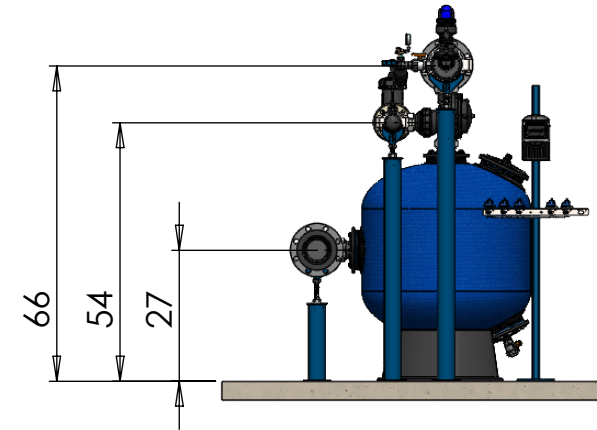
| | |
|-------------------|----------------|
| Sheet Size: A4 | Scale: 1:30 |
|-------------------|----------------|



PROPRIETARY AND CONFIDENTIAL
 THE INFORMATION CONTAINED IN THIS DRAWING IS THE SOLE PROPERTY OF NETAFIM. ANY REPRODUCTION IN PART OR AS A WHOLE WITHOUT THE WRITTEN PERMISSION OF NETAFIM IS PROHIBITED

| | | |
|-------------|-------|------------|
| Designed By | | |
| Drawn By | KEREM | 02/03/2020 |
| Checked By | | |
| QA | | |
| Sheet: 2 | Of: 3 | Rev. - |

| ITEM NO. | SAP Description | SAP Cat. No. | QTY. |
|----------|---|--------------|------|
| 1 | SANDSTORM NC TANK 36"X3" VIC | 71920-003200 | 5 |
| 2 | PE MAN 6"*3 OUT*3" VIC F/36" TANK | 71920-002050 | 2 |
| 3 | PE MAN 6"*2 OUT*3" VIC F/36" TANK | 71920-002040 | 2 |
| 4 | PE BF MAN 3"*3 OUT*2" VIC F/36" TANK | 71920-002010 | 1 |
| 5 | PE BF MAN 3"*2 OUT*2" VIC F/36" TANK | 71920-002000 | 1 |
| 6 | PE CAP 6"VIC W/1 OUT 3/4"BSP+2 OUT 2"BSP | 71920-002489 | 1 |
| 7 | PE CAP 6" VIC W/1 OUT 3/4" BSP | 71920-002490 | 1 |
| 8 | PE STUB END 6" W/O FLANGE | 71920-002310 | 2 |
| 9 | PE STUB END 3" W/O FLANGE | 71920-002300 | 1 |
| 10 | 3"CAP WITH VACUUM BREAKER | | 1 |
| 11 | DOROT BF valve 3"*2"*3" vic vic vic | 71600-006590 | 5 |
| 12 | 3" THROTTLE VALVE FLANGED TYPE F/BF MAN | 71920-000100 | 1 |
| 13 | VICTAULIC COUPLING 2" ONE BOLT | 71910-002500 | 5 |
| 14 | VICTAULIC COUPLING 3" ONE BOLT | 71910-002501 | 18 |
| 15 | VICTAULIC COUPLING 6" TWO BOLT | 71910-002503 | 6 |
| 16 | LOOSE FLANGE PP DIN/ANSI 160X6" | 75090-012420 | 2 |
| 17 | LOOSE FLANGE PP ANSI 90X3" | 75090-012405 | 1 |
| 18 | S75PL H 2" QRV NPT PP 3WNC R | 71600-002338 | 1 |
| 19 | Plastic Nipple 2" BSP | 75090-012457 | 1 |
| 20 | Control stand + controller + Aquative bracket | | 1 |
| 21 | CONTROL KIT FOR MEDIA FILTER - BSP | 37090-009600 | 1 |
| 22 | L.P. Check point (part of control kit) | | 1 |
| 23 | BARAK PLASTIC BASE 2 GD-010(NPT) | 70561-001500 | 1 |
| 24 | SUPPORT LEG 6"X1440 FOR NC | 71920-003030 | 2 |
| 25 | SUPPORT LEG 3"X1180 FOR NC | 71920-003000 | 2 |
| 26 | SUPPORT LEG 6"X410 FOR NC | 71920-003020 | 3 |



SAP DESCRIPTION:

NC 360506 S

SKU No.

Maximum Flow Rate: 1100 GPM

Recommended Flow Rate: 880 GPM

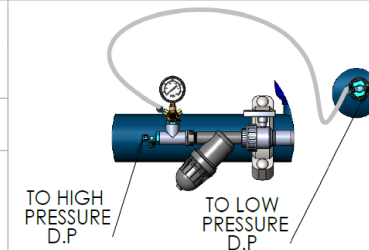
Inlet Pressure: 115 PSI

Sheet Size:

A4

Scale:

1:40



PROPRIETARY AND CONFIDENTIAL
THE INFORMATION CONTAINED IN THIS DRAWING IS THE SOLE PROPERTY OF NETAFIM. ANY REPRODUCTION IN PART OR AS A WHOLE WITHOUT THE WRITTEN PERMISSION OF NETAFIM IS PROHIBITED

Designed By

Drawn By KEREM 02/03/2020

Checked By

QA

Sheet: 3 Of: 3 Rev. -