

LOW PRESSURE AUTOMATIC DISC-KLEEN FILTERS

UP TO
15%
ENERGY
SAVINGS

AUTOMATIC SELF-CLEANING DISC FILTERS WITH PROVEN DEPTH FILTRATION



2" Compact LP Disc-Kleen Filter



2" LP Disc-Kleen Filter



3" LP Disc-Kleen Filter

PRODUCT ADVANTAGES

- Proven depth filtration filters through the entire depth of the disc ring, not just the surface.
- Non-corrosive, UV protected polypropylene materials resist rust and corrosion from chemicals and weather.
- Factory assembled and tested for a quick and easy water in/water out installation.
- Small footprint saves valuable space.
- Less backflush time optimizes overall application of water.

LOW PRESSURE SPINE ALLOWS FILTER FLUSHING AT 30 psi

Netafim Automatic Disc-Kleens have been used successfully and reliably for many years. Our advanced disc filtration technology optimizes irrigation and saves water. With a redesigned filter spine, the Low Pressure (LP) Automatic Disc Filters can now flush at a lower pressure - 30 psi instead of 40 psi.

SAVE MONEY ON ENERGY COSTS

A lower flushing pressure reduces energy costs which can result in up to 15% energy savings.

SAVE MONEY BY REDUCING PUMP SIZE

A lower flushing pressure reduces the need to oversize the pump for adequate flushing and reduces the need for a Pressure Sustaining Valve - saving money.

FEATURES

- ▶ 3" LP Disc-Kleen Filter Inlet Manifold Located on Top and Outlet Manifold on Bottom of the Filter for Ease of Installation
- ▶ 3" Plastic Backflush Valve for 3" LP Disc-Kleen Filters with Lower Headloss
- ▶ Grey Colored Polypropylene Body and Filter Cover for Easy Identification

2" COMPACT LP DISC-KLEEN FILTER

FEATURES

- Compact pre-assembled unit for easy installation - fits in tight spaces.
- Available in AC or DC models - input power for AC uses 110 VAC; DC uses (4) D batteries.
- Built-in backflush controller functions by pressure differential gauge and/or time.
- Easily accessible bypass screen filter ensures clean water for backflushing.



SPECIFICATIONS

- Available in Two Models:
Standard Model - 1 - 80 GPM
Low Flow Model - 1 - 40 GPM
- Inlet: 2" Male Pipe Thread
- Outlet: 2" Female Pipe Thread
- Flush Port: 2" Female Pipe Thread
- Maximum Operating Water Pressure: 90 psi
- Minimum Pressure for Backflush: 30 psi
- Minimum Flow for Backflush:
Standard Model - 35 GPM
Low Flow Model - 20 GPM
- Minimum Allowable pH: 5
- Maximum Allowable Temperature: 158° F

APPLICATIONS

- Systems with flows from 1 to 80 GPM requiring filtration
- For areas with or without electricity
- When automatic backflushing is desirable because manual cleaning is frequent and too cumbersome
- Primary or secondary treated effluent

WATER QUALITY MAX. FLOW RATE (GPM)

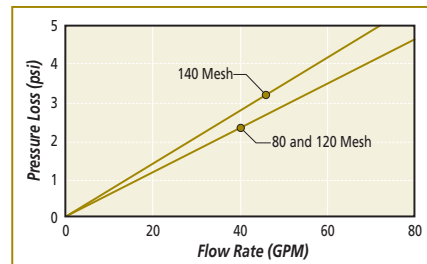
MESH SIZE	80 & 120	140	80 & 120	140
WATER	STANDARD MODEL		LOW FLOW MODEL	
GOOD	80	70	40	40
AVERAGE	70	60	40	30
POOR	55	50	30	20
VERY POOR	35	30	20	10

Refer to next page for Water Quality Guidelines

ORDERING INFORMATION

INPUT POWER	FLOW RANGE	MODEL NUMBER
110 VAC	1-80 GPM	DFALP200-***AC
	1-40 GPM	DFALPLF200-***AC
(4) D Batteries	1-80 GPM	DFALP200-***DCL
	1-40 GPM	DFALPLF200-***DCL

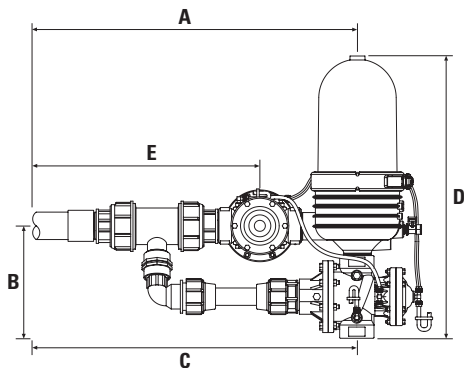
*** Substitute with proper mesh size



FLOW RATE VS. PRESSURE LOSS (psi)

GPM	10	20	30	40	50	60	70	80
psi	0.4	1.2	1.8	2.3	3.0	3.5	4.0	4.7

120 Mesh - when filter is in a clean state



DIMENSIONS

A	B	C	D	E	WEIGHT
21 1/2"	8 5/8"	30"	25"	13 17/16"	32 lbs.

HOW AUTOMATIC DISC FILTER TECHNOLOGY WORKS

A filter element (spine) contains a stack of compressed discs with an overlapping series of grooves that force the debris to move through the numerous trap points.

FILTRATION PROCESS

Unfiltered water passes through a stack of tightly compressed discs. The water is forced to flow through the interlocking grooves of the disc rings where debris is trapped, releasing only filtered water to the irrigation system.

BACKFLUSH PROCESS

As debris in the filter increases, the backflush process is initiated. The discs separate and jets of clean water spray and spin the discs removing the trapped debris which is then flushed out.

2" & 3" LP DISC-KLEEN FILTERS

FEATURES

- Factory assembled - arrives ready to hook-up for immediate operation.
- Available in 24 VAC, 12 VDC or 12 VDC Latching models for operating pressure up to 90 psi.
- For operating pressures between 91 - 140 psi, high pressure solenoids are available.
- Inlet manifold for 3" LP Disc-Kleen located on top of filter for ease of installation.
- New plastic backflush valve with lower headloss.

SPECIFICATIONS

- Inlet and Outlet Connections:
2" LP Disc-Kleen - 4" Grooved
3" LP Disc-Kleen - 6" Grooved
- Backflush Valve Flush Port: 2" Male Pipe Thread
- Maximum Operating Water Pressure: 90 psi
- Minimum Pressure for Backflush: 30 psi
- Minimum Backflush Flow Per Spine: 35 GPM
- Minimum Allowable pH: 5
- Drain Manifold: 2" Grooved Outlet Connection

APPLICATIONS

- For surface water containing algae and other organic materials such as reservoirs, canals, rivers and wastewater applications
- For well water containing light sand (<3 ppm) and other contaminants

WATER QUALITY GUIDELINES

GOOD WATER QUALITY: Municipal water supply or well water from a clean aquifer with no sand, iron or manganese.

AVERAGE WATER QUALITY: Wells with small amounts of sand (<2 ppm) or clean surface water which includes lakes, ponds, reservoirs and canals.

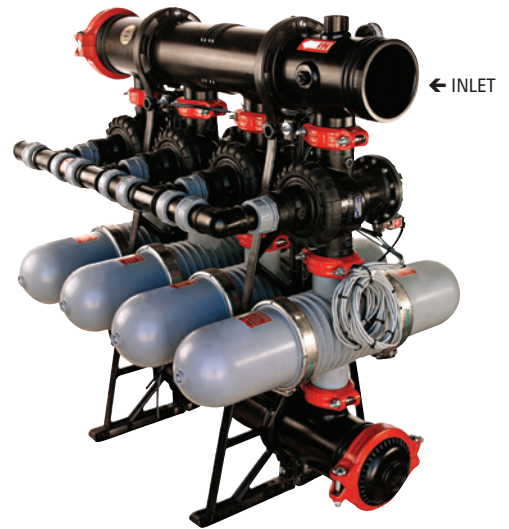
POOR WATER QUALITY: Well water with sand up to 10 ppm or surface water in hot climates with increased biological growth and no chemical treatment which includes lakes, ponds, reservoirs and canals.

VERY POOR WATER QUALITY: Well water with greater than 10 ppm of sand including rivers, muddy canals, lakes and ponds with severe run off deposits and raw municipal wastewater.

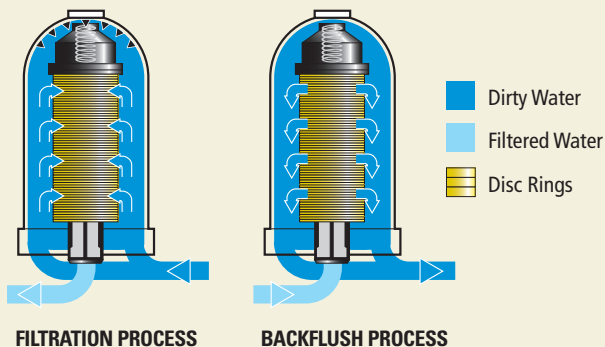
GREATER THAN 3 PPM SAND OR SILT: May require a pre-filter such as a hydrocyclone.



2" LP Disc-Kleen Filter



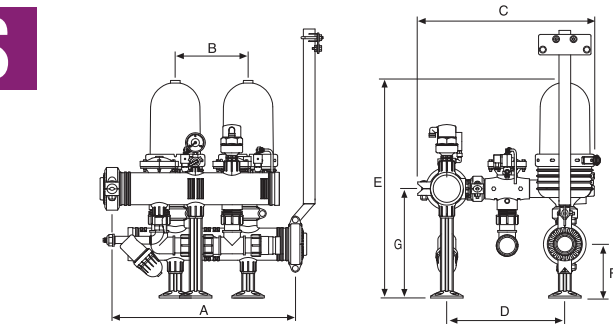
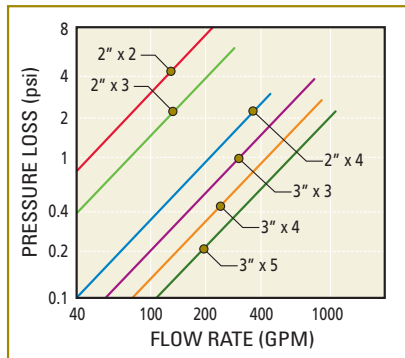
3" LP Disc-Kleen Filter



WATER QUALITY MAXIMUM FLOW RATE (GPM)

MESH SIZE	80	120	140	MESH SIZE	80	120	140
2" x 2 FILTERS				3" x 3 FILTERS			
GOOD	160	155	145	GOOD	480	465	435
AVERAGE	150	140	130	AVERAGE	450	420	390
POOR	130	120	90	POOR	380	340	270
VERY POOR	80	70	60	VERY POOR	240	210	180
2" x 3 FILTERS				3" x 4 FILTERS			
GOOD	240	230	220	GOOD	640	620	580
AVERAGE	225	210	195	AVERAGE	600	560	500
POOR	195	180	135	POOR	500	450	340
VERY POOR	120	105	90	VERY POOR	320	280	240
2" x 4 FILTERS				3" x 5 FILTERS			
GOOD	320	310	290	GOOD	800	775	725
AVERAGE	300	280	260	AVERAGE	750	700	600
POOR	260	240	180	POOR	650	525	400
VERY POOR	160	140	120	VERY POOR	400	350	300

2" & 3" LP DISC-KLEEN FILTERS



2" LP DISC-KLEEN FILTER DIMENSIONS

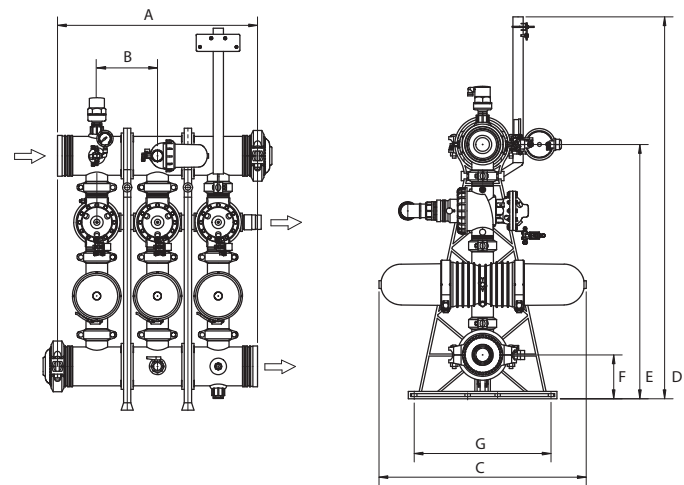
FILTERS	A	B	C	D	E	F	G
2	20 7/16"	10"	27"	16"	36 1/4"	7 9/32"	14 3/4"
3	30 9/32"	10"	27"	16"	36 1/4"	7 9/32"	14 3/4"
4	40 1/8"	10"	27"	16"	36 1/4"	7 9/32"	14 3/4"

FLOW RATE VS. PRESSURE LOSS (psi)

FLOW RATE (GPM)	40	80	120	160	200	300	400
2" - 2	0.9	2.5	3.5	5.0			
2" - 3	0.4	1.2	1.8	3.0	4.0	6.0	
2" - 4			0.5	0.75	1.0	1.5	2.5

FLOW RATE (GPM)	200	300	400	500	600	700	800
3" - 3	0.6	1.0	1.7	2.0			
3" - 4		0.7	1.0	1.3	1.6	1.8	
3" - 5			0.6	0.8	1.0	1.2	1.5

120 Mesh - when filter is in a clean state



3" LP DISC-KLEEN FILTER DIMENSIONS

FILTERS	A*	B	C	D	E	F	G
3	32 7/16"	9 27/32"	33 9/16"	61 29/32"	41 7/32"	7 3/32"	22 3/16"
4	42 1/4"	9 27/32"	33 9/16"	61 29/32"	41 7/32"	7 3/32"	22 3/16"
5	52 1/4"	9 27/32"	33 9/16"	61 29/32"	41 7/32"	7 3/32"	22 3/16"

* +/- 5/32"

WEIGHTS

No. OF FILTERS	2" - 2	2" - 3	2" - 4	3" - 3	3" - 4	3" - 5
WEIGHT (lbs.)	174	220	266	352	407	467

MESH AND MICRON

MESH	MICRON	COLOR
40	400	BLUE
80	200	YELLOW
120	130	RED
140	115	BLACK
200	70	BROWN



NETAFIM USA
5470 E. HOME AVE.
FRESNO, CA 93727
CS 888 638 2346
www.netafimusa.com

*** Substitute with proper mesh size