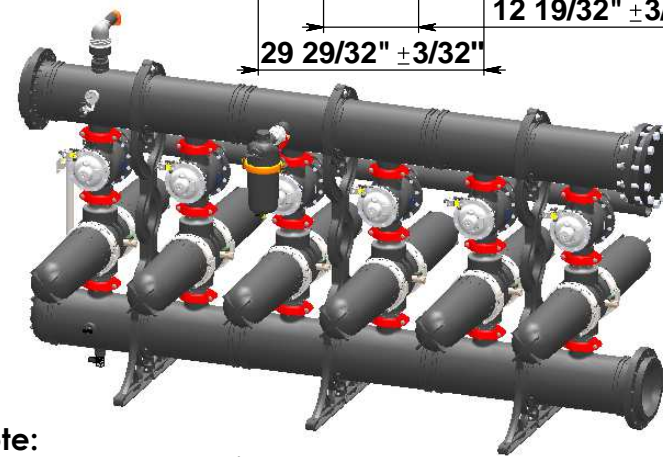
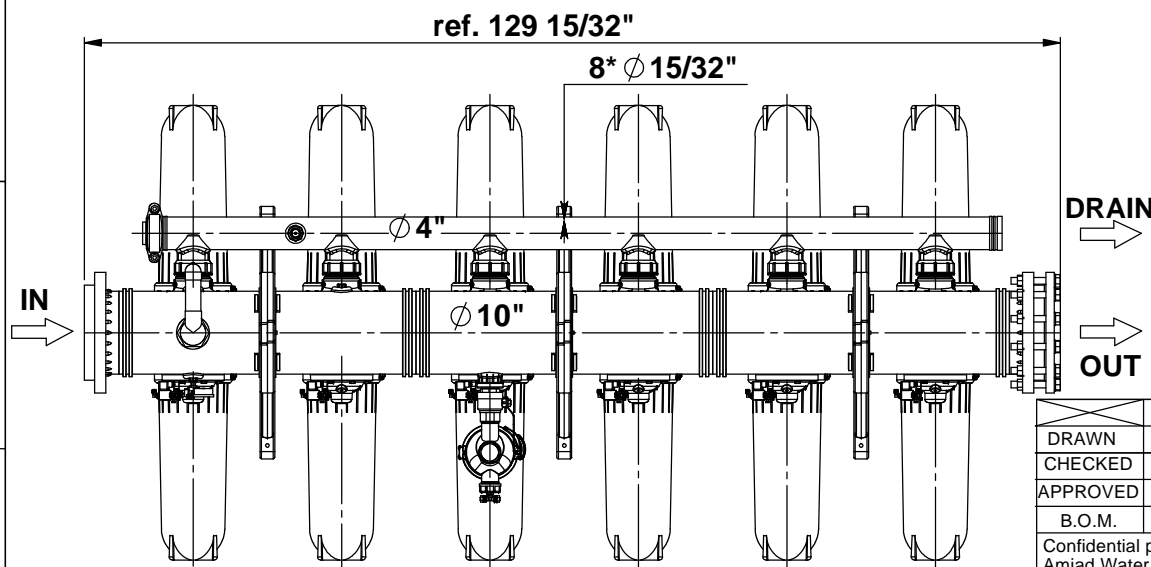
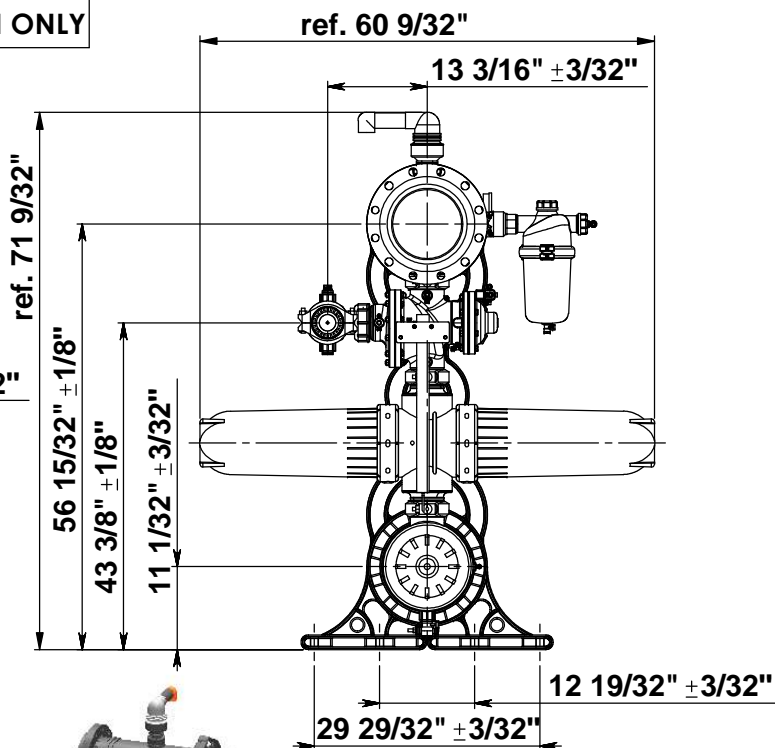
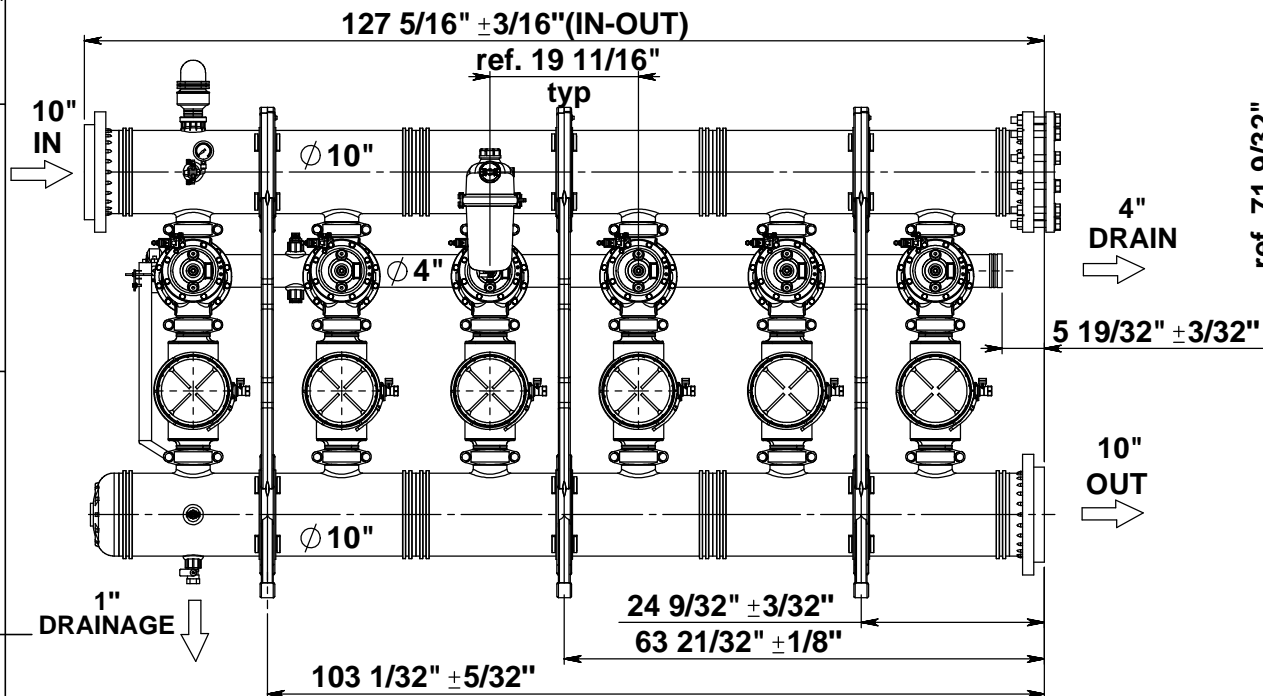


1	2	3	4	5	6	7	8
Filtration Degree:	40µm	100µm	130µm	200µm			
Battery Cat. No.:			112002-000270				
Set Man. Cat. No.:		750101-003311					

FOR INFORMATION ONLY



Note:
All Flanges According to ANSI 150

NAME	DATE	SUBJECT/PROJECT:	MATERIAL:
HELEN	29/10/2012	6"4" S.K. APOLLO SUPER FILTERS BATTERY	
HELEN	29/10/2012		
NIKOLAY	29/10/2012		
ROY	29/10/2012	PART NAME/TITLE:	CAT. NO:
MARINA	04/11/2012	ASSEMBLY DRAWING	112021-000270
Confidential property information. Amiad Water Systems Ltd. reserves the rights to make changes. All copy rights reserved to Amiad Water Systems Ltd.			DRW. NO:
			112002-000270 C
			Rev. 0
			SCALE: NO SIZE: A3 SHEET 1 OF 1
			Ref. 4544H100X_2
			Backup Drawing:

REV.	DATE	DESCRIPTION	NAME
1			
2			
3			
4			

