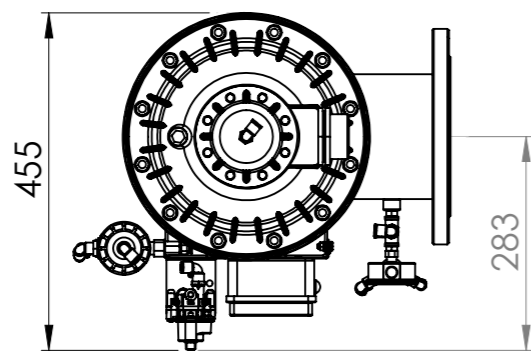
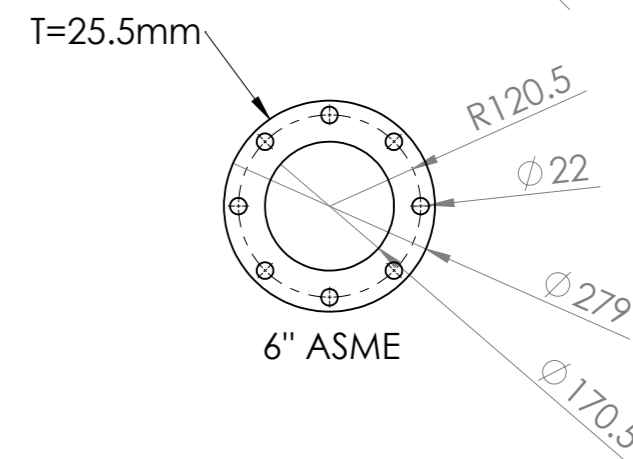
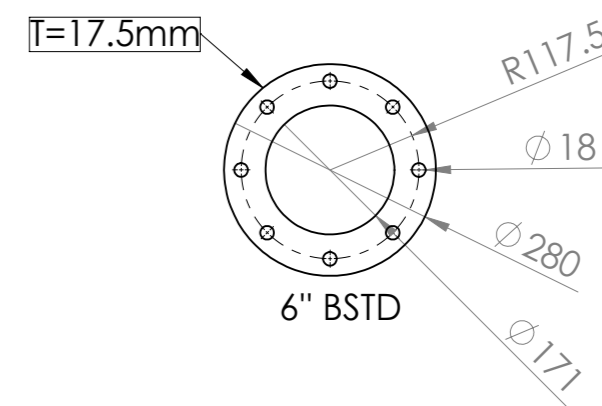
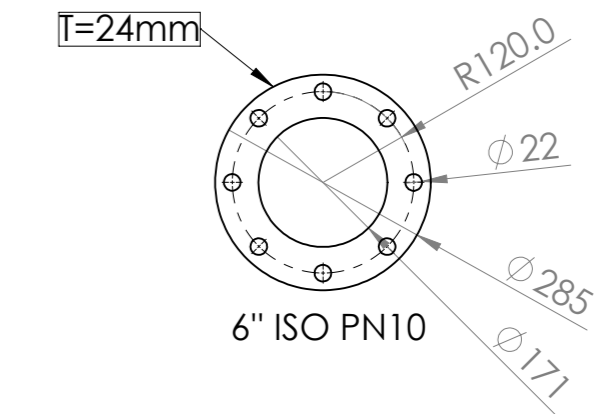
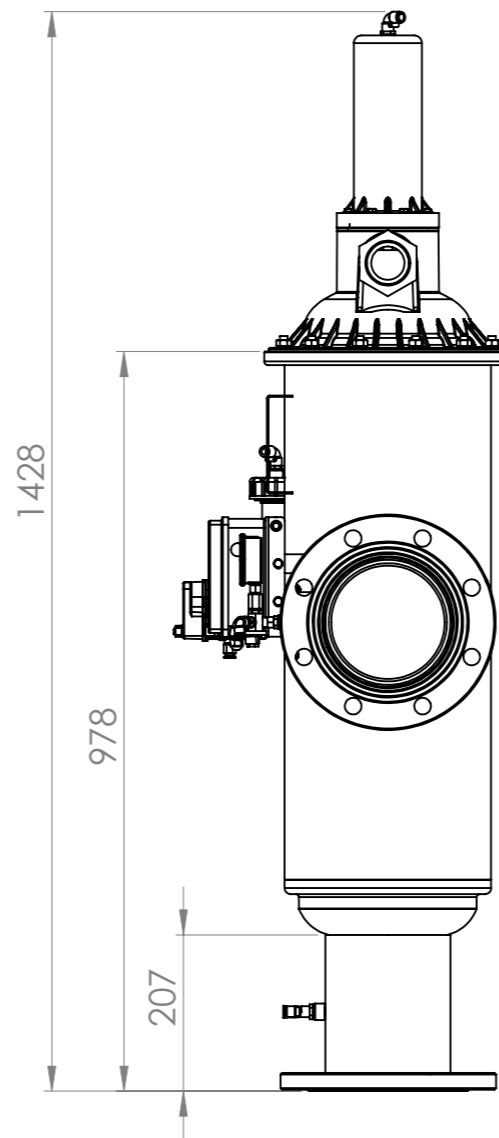
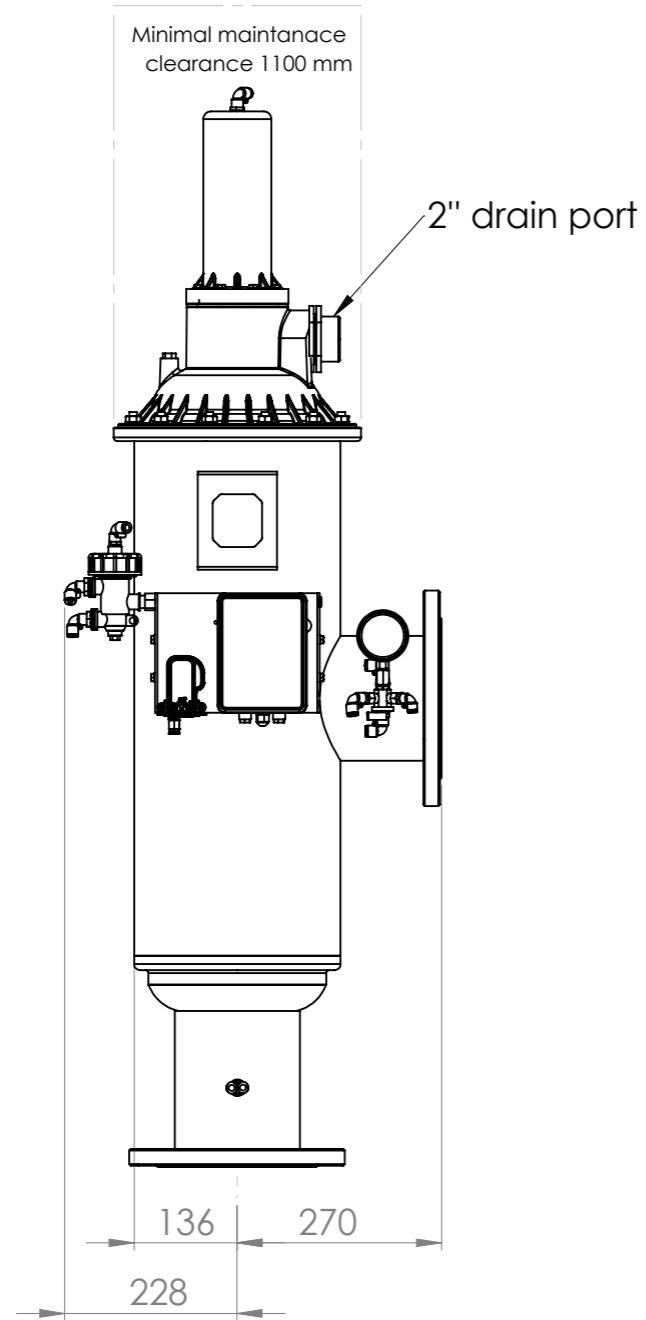


UNLESS OTHERWISE SPECIFIED: DIMENSIONS ARE IN MILLIMETERS SURFACE FINISH: TOLERANCES: LINEAR: ANGULAR:		FINISH:		DEBURR AND BREAK SHARP EDGES		DO NOT SCALE DRAWING		REVISION	
DRAWN		NAME		SIGNATURE		DATE		TITLE:	
CHK'D									
APPV'D									
MFG									
Q.A						MATERIAL:		DWG NO.	
						WEIGHT: 8956.91		SCALE: 1:20	
								SHEET 1 OF 3	

SGV6L Instalation drawings

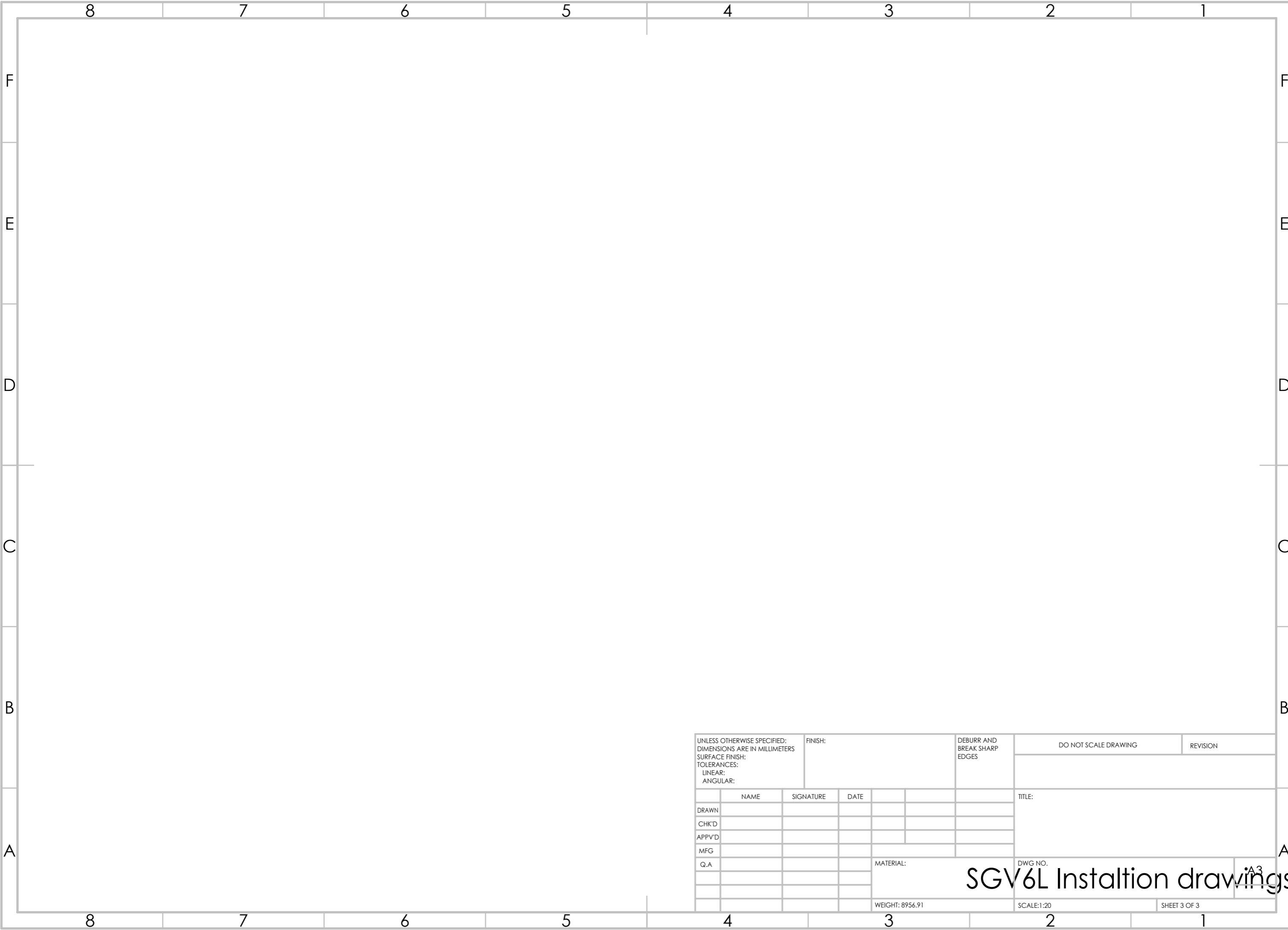
A3



UNLESS OTHERWISE SPECIFIED: DIMENSIONS ARE IN MILLIMETERS SURFACE FINISH: TOLERANCES: LINEAR: ANGULAR:				FINISH:		DEBURR AND BREAK SHARP EDGES		DO NOT SCALE DRAWING		REVISION	
DRAWN								TITLE:			
CHK'D											
APPV'D											
MFG											
Q.A								MATERIAL:		DWG NO.	
								WEIGHT: 8956.91		SCALE: 1:20	
										SHEET 2 OF 3	

SGV6L Instalation drawings

A3



UNLESS OTHERWISE SPECIFIED: DIMENSIONS ARE IN MILLIMETERS SURFACE FINISH: TOLERANCES: LINEAR: ANGULAR:				FINISH:		DEBURR AND BREAK SHARP EDGES		DO NOT SCALE DRAWING		REVISION			
								TITLE:					
DRAWN				NAME		SIGNATURE						DATE	
CHK'D													
APPV'D													
MFG													
Q.A													
								MATERIAL:		DWG NO.			
								WEIGHT: 8956.91		SCALE:1:20			
										SHEET 3 OF 3			

SGV6L Instalation drawings

A3