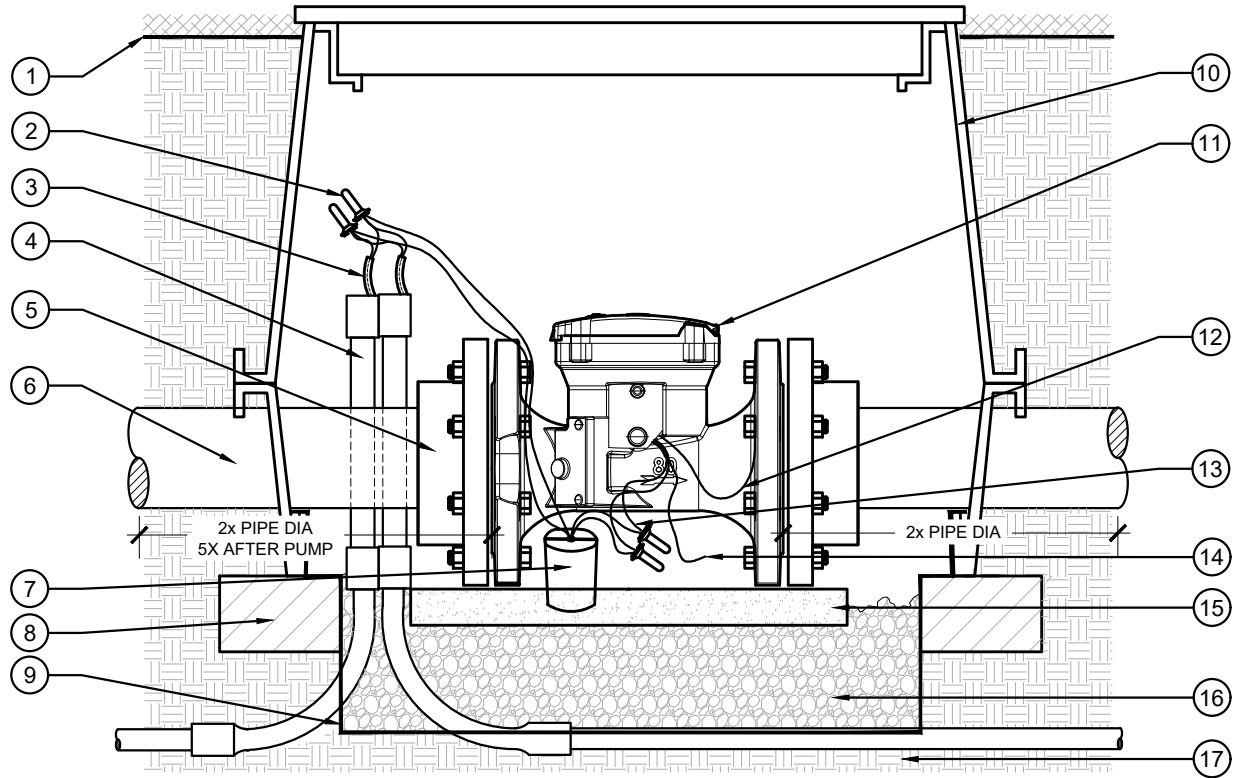


LIMITATIONS:

ALLOWING FOR A WIDE VARIETY OF APPLICATIONS AND CONDITIONS, NETAFIM IRRIGATION INC. IS NOT RESPONSIBLE FOR CORRECTNESS OR APPLICABILITY TO PURPOSE OR COMPATIBILITY TO ANY SITE OR JOB CONDITION. WARRANTY FOR SUITABILITY IS NOT GIVEN OR IMPLIED. MODIFICATIONS FOR SPECIFIC PURPOSES MAY BE NECESSARY AND ARE THE SPECIFIERS' RESPONSIBILITY. THE USE OF THESE DETAILS SHALL NOT BE RESTRICTED AND PUBLICATION THEREOF IS NOT LIMITED TO ANY PURPOSE. REPRODUCTION, PUBLICATION AND REUSE BY ANY METHOD IN WHOLE OR PART IS FULLY AUTHORIZED. OWNERSHIP IS RETAINED BY NETAFIM IRRIGATION INC. VISUAL CONTACT WITH THESE DETAILS SHALL CONSTITUTE PRIMA FACIE EVIDENCE OF THE ACCEPTANCE OF THESE RESTRICTIONS.



LEGEND

- | | |
|---|---|
| <ol style="list-style-type: none"> 1. FINISH GRADE. 2. WIRE CONNECTORS. 3M SCOTCHCAST 3570G-N (4) 3. 2-WIRE PATH COMPLIANT WITH CONTROLLER MANUFACTURER 4. 1 1/4" SCH. 40 CONDUIT W/ PULL BOXES EVERY 200' AND ON EACH SIDE OF HARDSCAPES AREA. 5. SCH. 80 PVC FLANGE SPIGOT - SIZE PER VALVE AND MAINLINE PIPING (2 REQUIRED) 6. PVC MAINLINE PIPING PER IRRIGATION LEGEND. (PLAN SIZE) 7. FLOW SENSOR DECODER PER LEGEND (WHERE APPLICABLE) 8. BRICK SUPPORT. (4 TOTAL/ 1 @ EA CORNER) 9. FILTER FABRIC PER SPECS. | <ol style="list-style-type: none"> 10. JUMBO VALVE BOX WITH EXTENSION(S). HEAT BRAND "FS" 11. NETAFIM OCTAVE, REFER TO LEGEND FOR MODEL NUMBER. 12. GROUND (GREEN/YELLOW) WIRE HOOKED TO SIDE OF UNIT WITH INCLUDED PARTS KIT. 13. WIRE CONNECTIONS FROM OCTAVE TO DECODER 14. GROUND TO EARTH WIRE. INSTALL GROUND ROD OR PLATE AND CONNECT TO WIRE. 15. CONCRETE PAVER SUPPORT BLOCK. 16. COMPACTED 3/4" WASHED GRAVEL. 12" THICK MIN. 17. COMPACTED NATIVE SOIL. |
|---|---|

NOTES TO DESIGNER:

- TO AVOID MEASURING ERRORS DUE TO AIR IN THE FLOW TUBE, OBSERVE THE FOLLOWING PRECAUTIONS:
1. SINCE AIR COLLECTS AT THE HIGHEST POINT IN THE SYSTEM, INSTALLATION OF THE FLOW METER SHOULD BE AT THE LOWEST POINT. REFER TO INSTALLATION & USER GUIDE FOR DIAGRAMS OF INSTALLATION.
 2. ALWAYS INSTALL CONTROL VALVES (INCLUDING MASTER VALVE) DOWNSTREAM OF THE METER IN ORDER TO AVOID CAVITATION
 3. NEVER INSTALL THE METER ON A PUMP SUCTION SIDE IN ORDER TO AVOID CAVITATION
 4. IT IS REQUIRED TO INSTALL NETAFIM BRANDED COMBINATION AIR/VACUUM OR CONTINUOUS ACTING AIR VENTS RIGHT BEFORE THE OCTAVE METER. CONSULT NETAFIM FOR RECOMMENDATIONS. INSTALL AS INDICATED PER NETAFIM DETAIL D274.
 5. ALL THREADED CONNECTIONS SHALL RECEIVE TEFLON TAPE PER TAPE MANUFACTURERS RECOMMENDATIONS.

00

OCTAVE ULTRASONIC FLOW METER- 2-WIRE COMPLIANT

NOT TO SCALE



DETAIL - OCT07