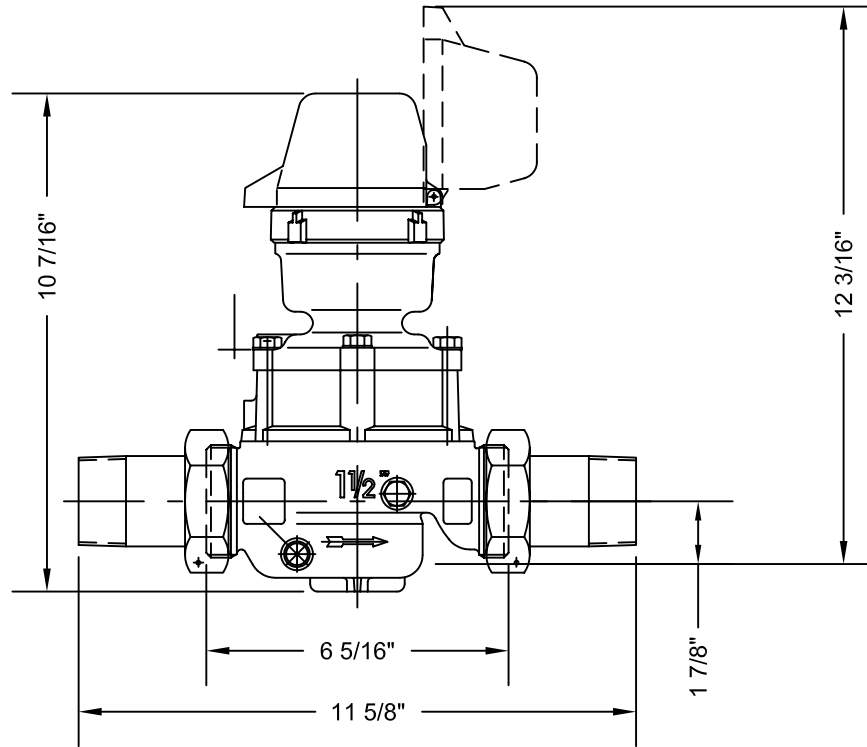


SIDE VIEW

4 15/16"



FRONT VIEW

10 7/16"

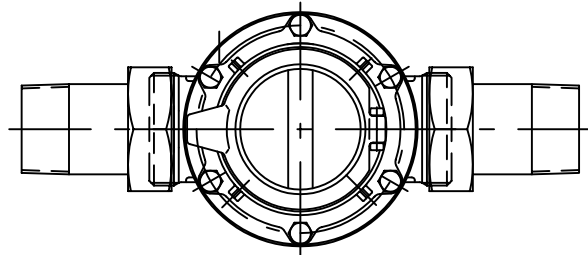
12 3/16"

6 5/16"

11 5/8"

1 7/8"

1 1/2"



PLAN OR TOP VIEW

00

HYDROMETER 1-1/2" MNPT

NOT TO SCALE



DETAIL - PH15