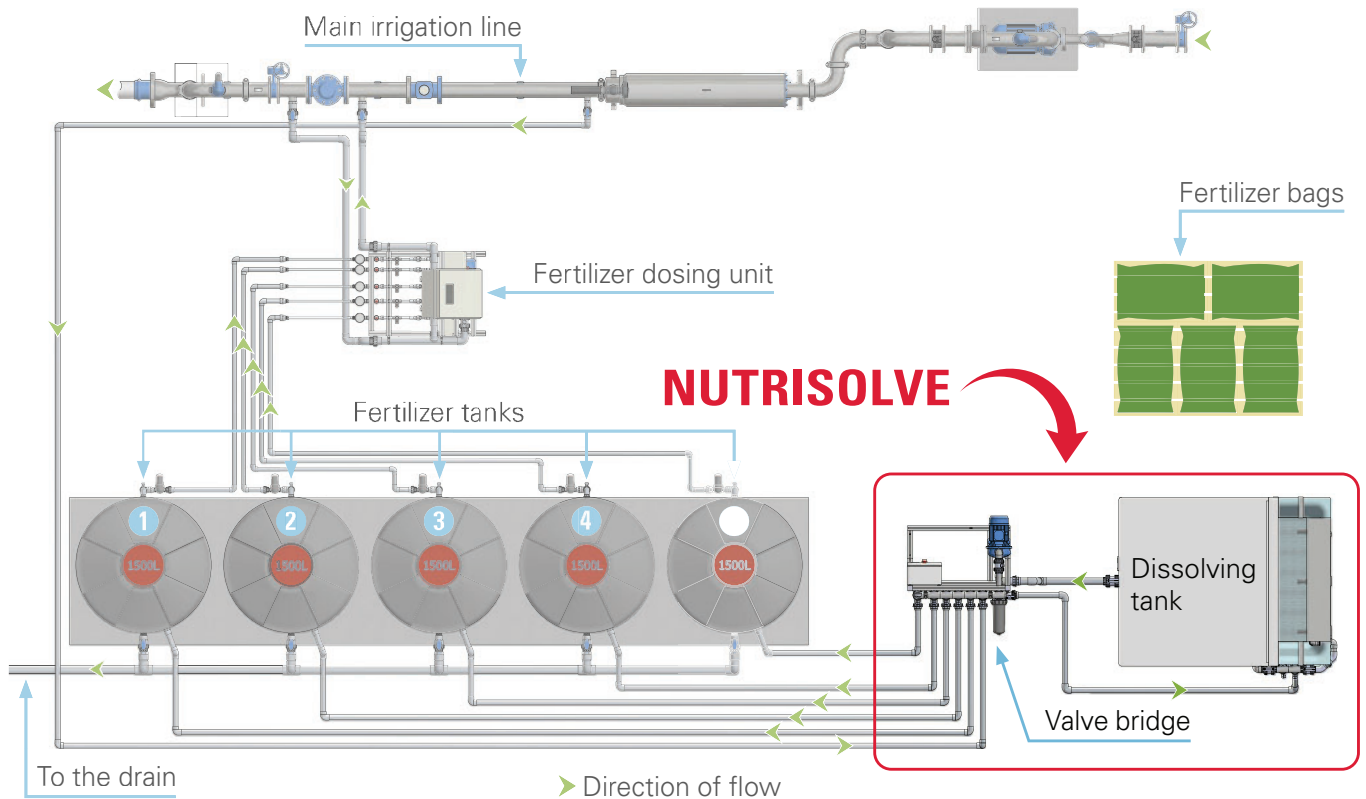


NUTRISOLVE FERTILIZER DISSOLVING SYSTEM

NUTRISOLVE OFFERS BETTER FERTILIZER MIXING WITH LESS LABOR

NutriSolve is the most efficient fertilizer dissolving system. The hydraulic mixing operation uses only water pressure to generate a clean mixing operation for a more accurate fertilizer solution mix.

NUTRIGATION SYSTEM SCHEMATIC

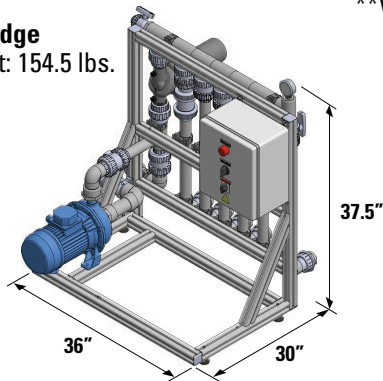


PRODUCT ADVANTAGES

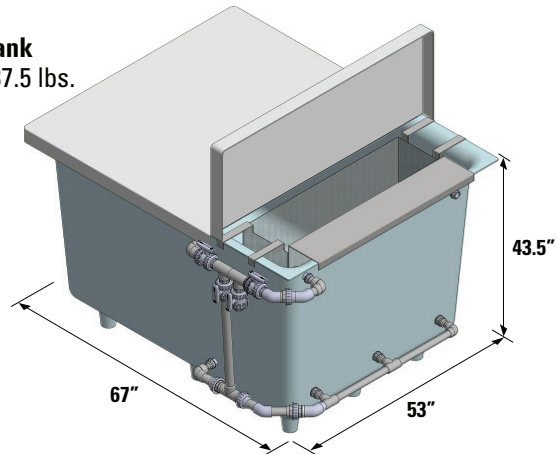
- Labor cost savings.
- More accurate fertilizer solution mix.
- Easy Maintenance - ONLY the filter needs cleaning, once a day or as needed.
- System Operation - hydraulic mixing, using water pressure only.
- Mixing Process - manually or automatically.
- Tank Size Capacity - 423 Gallons

DIMENSIONS AND WEIGHT

***Valve bridge**
****Weight: 154.5 lbs.**



***Dissolving tank**
****Weight: 187.5 lbs.**



* Height varies by +/- 0.5" according to adjustment on legs.
 ** Weights are approximate and may vary.

ORDERING INFORMATION

ITEM NUMBER	DESCRIPTION
33800-000001	Valve Bridge 60HZ 1600L ASTM
33800-001052	Dissolving Tank and Accessories ASTM



NETAFIM USA
 5470 E. HOME AVE.
 FRESNO, CA 93727
 CS 888 638 2346
www.netafimusa.com