

N E T A F I M U S A

DIGITAL FARMING PRICE LIST

EFFECTIVE DECEMBER 1, 2022

*Updated April 28, 2023

TABLE OF CONTENTS

Terms and Conditions	3
Product Warranty	9
Ordering Information	10
Commissioning Fees	11
NetBeat	12
NMC Pro Irrigation Controller	16
NMC Junior Pro Irrigation Controller	19
NMC DC Irrigation Controller	21
Components	23
Soil Moisture Probes	24
SingleNet	26
RadioNet	27
FertiOne Plus.....	28
FertiKit 3G SP	30
NetaFlex 3G	35
NUF®	38
Nutrisolve.....	39

TERMS AND CONDITIONS

These Terms and Conditions (“Terms”) shall apply to the sale of all products supplied (“Products”) by Netafim Irrigation Inc. (“Netafim USA”) to a purchaser (the “Buyer”). These Terms shall govern such sale of Products and together with the Freight Terms, the product warranty, and Netafim USA’s written order confirmation and/or Netafim USA’s invoice (together, the “Commercial Documents”) shall constitute the entire Agreement (“Agreement”) between the Parties for the purpose of such sale. Any additional, different, or conflicting terms are hereby rejected, unless otherwise agreed in a signed contract by Netafim USA.

PRICING

All prices shown are recommended retail prices. Wholesale prices are net prices discounted from list prices. All prices are subject to change without notice. No prices are firm until Netafim USA sends Buyer an order confirmation or invoice. Notwithstanding the preceding sentence, Netafim reserves the right to re-price Products to the then-current price when Products ship if: (1) Buyer schedules delivery of the Products more than 90 days from the date of order confirmation, (2) Buyer does not take delivery of the Products within 15 days of the originally requested shipping date and the Products are available for delivery, (3) Buyer does not take delivery within 15 days of the date the Buyer is notified that the Products are available for delivery, or (4) a Force Majeure Event substantially increases the cost or decreases the availability of a Product or a material input for that Product. Prices do not include taxes, freight or handling, or other surcharges. If appropriate, such charges will be billed separately on the invoice.

PRODUCT CLASSIFICATION

Netafim USA’s Digital Farming Price List represents our most commonly ordered Products as well as some reference to options, which may be available. If you have a product requirement for something you do not see listed, please call Customer Service for availability, price, and delivery times.

PAYMENT TERMS

All invoices are payable in United States Dollars at net thirty (30) days from the date of invoice, unless otherwise agreed in writing. All past due balances will be assessed a monthly finance charge of eight-tenths of one percent (0.8%), or the highest amount allowed by law, whichever is less. All Payments made by the Buyer under these Terms shall be made in full without any deduction, set-off or counterclaim whatsoever. Any check or remittance received from or for the account of Buyer may be accepted and applied by Netafim USA against any debt owed by Buyer to Netafim USA without prejudice to or the discharge of the remainder of such indebtedness of any condition, provision, statement, legend, or notation appearing on or referring to or accompanying such check or remittance. Netafim USA will not accept any payment less than the entire debt as accord and satisfaction of such indebtedness except upon Netafim USA’s signed, written agreement.

ACCOUNT STATUS

All orders are subject to credit review. Order processing and/or shipments may be held until Buyer’s account is current.

MINIMUM ORDER

The minimum order amount for standard (stocked) products is one hundred dollars (\$100). A twenty-dollar (\$20) per order charge will be assessed on all Product orders less than the one-hundred-dollar (\$100) minimum. Non-standard items such as extruded products with special flows or pricing, or Products with unusual features, may have different minimum order requirements. See the price list for order minimums.

SPECIAL ORDERS

We will work with you on any Special Order, Make-to-Order, or Custom requests. In the case of Special Orders or Custom requests, prices and delivery will be quoted, and the order may not be eligible for cancellation or return. Also, Special Orders or Custom requested products, manufactured or ordered to “non- standard” specifications, at Netafim USA’s discretion, may be shipped immediately upon availability. If accepted by Netafim USA, an order for Make-to-Order Products will not be produced until Buyer has provided a delivery date and shipping location to Netafim USA. Once the Product is manufactured, Buyer must authorize shipment of the Product within 15 days from the date originally requested for shipment. Returns of Make-to-Order Products are handled as listed below.

TERMS AND CONDITIONS

ORDER CANCELLATIONS

Buyer may not cancel an order unless such cancellation is expressly agreed to in writing by Netafim USA. Netafim has no obligation to cancel an order for Non-Standard, Make-to-Order, Custom or Special-Order Products after the Products have been manufactured, or received from a vendor, or a non-cancellable purchase commitment has been entered into with a vendor. If Netafim, at its sole discretion, agrees to cancel such an order, upon cancellation the Buyer may be charged 50% or more of the order value based on how saleable the Products are.

PRODUCT CHANGES

Netafim USA reserves the right to redesign, alter, or modify its Products at any time, without notice. Any catalog, design manual, price sheets, and/or other written material are subject to withdrawal or change at any time without prior notice. Possession of the current catalog or price sheets does not constitute an offer to sell.

PRODUCT INSTALLATION

Unless otherwise agreed by Netafim USA, Netafim USA does not provide advice or assistance in the installation of the Products by the Buyer or any third party.

BAGGED PRODUCTS

Netafim USA has a number of Products that are packaged and sold in bagged or case quantities. Bagged parts are designated by placing a “-B” at the end of the product number. The quantities have been developed to provide the best value for the most standard quantities ordered and are intended for sale in the quantities listed. Order quantities will be rounded up to the nearest bag or case quantity at Netafim’s discretion. Buyer can verify part numbers and quantities being ordered by using the Netafim Dealer Portal or the Netafim price list. Netafim USA shall not be held liable for the impact of Buyer mistakes in order quantities due to incorrect part numbers or quantities not matching bagged or case quantities.

ACCEPTANCE

The Buyer acknowledges its responsibility for inspecting all Products shipped by Netafim USA to determine whether said Products are in conformity with Buyer’s order, including whether all Products listed on the packing list have been shipped and whether the shipment contains any damaged Products. The Buyer agrees that fourteen (14) days from receipt of each shipment is a reasonable time in which to perform the inspection and notify Netafim USA of any nonconformity. If Netafim USA has not received a written notice of nonconformity within fourteen (14) days of the Buyer’s receipt of the shipment, the Buyer hereby agrees that the Products shall be deemed to be accepted by the Buyer, as that term is defined by the California Commercial Code. To avoid any doubt, the Buyer’s right to reject the shipment will be terminated. Also, if a written notice of nonconformity is not received within fourteen (14) days of the Buyer’s receipt of the shipment, Netafim USA will be relieved of any obligation concerning the shipment, other than warranty obligations, and the Buyer will pay for the shipment in full. The Buyer shall bear the complete cost of the inspection in all circumstances. The Buyer agrees that Netafim USA will have an opportunity to cure any nonconforming shipment. The Buyer further agrees that, in the event that a notice of nonconformity is received by Netafim USA, the time for Netafim USA’s performance under the Agreement will be extended for a reasonable time to allow Netafim USA to tender conforming Products or make reasonable repairs.

ORDER CANCELLATIONS

Buyer may not cancel an order unless such cancellation is expressly agreed to in writing by Netafim USA. Netafim has no obligation to cancel an order for Non-Standard, Make-to-Order, Custom or Special-Order Products after the Products have been manufactured, or received from a vendor, or a non-cancellable purchase commitment has been entered into with a vendor. If Netafim, at its sole discretion, agrees to cancel such an order, upon cancellation the Buyer may be charged 50% or more of the order value based on how saleable the Products are.

PRODUCT CHANGES

Netafim USA reserves the right to redesign, alter, or modify its Products at any time, without notice. Any catalog, design manual, price sheets, and/or other written material are subject to withdrawal or change at any time without prior notice. Possession of the current catalog or price sheets does not constitute an offer to sell.

PRODUCT INSTALLATION

Unless otherwise agreed by Netafim USA, Netafim USA does not provide advice or assistance in the installation of the Products by the Buyer or any third party.

TERMS AND CONDITIONS

BAGGED PRODUCTS

Netafim USA has a number of Products that are packaged and sold in bagged or case quantities. Bagged parts are designated by placing a “-B” at the end of the product number. The quantities have been developed to provide the best value for the most standard quantities ordered and are intended for sale in the quantities listed. Order quantities will be rounded up to the nearest bag or case quantity at Netafim’s discretion. Buyer can verify part numbers and quantities being ordered by using the Netafim Dealer Portal or the Netafim price list. Netafim USA shall not be held liable for the impact of Buyer mistakes in order quantities due to incorrect part numbers or quantities not matching bagged or case quantities.

ACCEPTANCE

The Buyer acknowledges its responsibility for inspecting all Products shipped by Netafim USA to determine whether said Products are in conformity with Buyer’s order, including whether all Products listed on the packing list have been shipped and whether the shipment contains any damaged Products. The Buyer agrees that fourteen (14) days from receipt of each shipment is a reasonable time in which to perform the inspection and notify Netafim USA of any nonconformity. If Netafim USA has not received a written notice of nonconformity within fourteen (14) days of the Buyer’s receipt of the shipment, the Buyer hereby agrees that the Products shall be deemed to be accepted by the Buyer, as that term is defined by the California Commercial Code. To avoid any doubt, the Buyer’s right to reject the shipment will be terminated. Also, if a written notice of nonconformity is not received within fourteen (14) days of the Buyer’s receipt of the shipment, Netafim USA will be relieved of any obligation concerning the shipment, other than warranty obligations, and the Buyer will pay for the shipment in full. The Buyer shall bear the complete cost of the inspection in all circumstances. The Buyer agrees that Netafim USA will have an opportunity to cure any nonconforming shipment. The Buyer further agrees that, in the event that a notice of nonconformity is received by Netafim USA, the time for Netafim USA’s performance under the Agreement will be extended for a reasonable time to allow Netafim USA to tender conforming Products or make reasonable repairs.

RETURNS – STANDARD PRODUCTS

No Products may be returned without Netafim USA’s written consent and authorization. Requests to return Products must be made within 120 days of receipt of shipment from Netafim USA and reference the Netafim USA invoice number. Any approved return must be accompanied by a return goods authorization (RGA) issued by Netafim USA, clearly marked on the exterior of the parcel, and shipped freight prepaid within 30 days of the RGA issue date. All Products must be new, in original packaging, and in salable condition. All approved returns may be subject to a restocking fee. Buyer will bear the costs of return freight. Any shipment not meeting these criteria will not be accepted. The intent to return Products does not relieve the Buyer of the obligation to pay for the Products per the terms of the original invoice. Credit will be given only after the authorized return is received and accepted at Netafim.

RETURNS – NON-STANDARD PRODUCTS

Non-Standard, Make-to-Order, Custom or Special-Order Products may not be eligible for return. Netafim USA may, at its sole discretion, deny the return of such non-standard products. If Netafim USA agrees to the return of such Products, the Products must be new, in original packaging, and in a saleable condition. The repurchase price offered for the return may be discounted 50% or more, based on how saleable the Products are. The intent to return Products does not relieve the Buyer of the obligation to pay for the Products per the terms of the original invoice. Credit will be given after the authorized return is received and accepted by Netafim USA.

RETURN OF DEFECTIVE PRODUCTS

Netafim USA will be responsible for the return shipping of Products that are defective upon arrival, other than Products damaged in transport by the carrier. A Notice of Defect must be received by Netafim USA within fourteen (14) days of Buyer’s receipt of said Products. The Buyer agrees that failure to give a Notice of Defect within such time is a waiver of any defect. Prior approval from the Buyer’s District Sales Manager and an RGA must accompany all returns. Credit will not be given until the Product has been received by Netafim USA and approved for warranty.

PARTIAL SHIPMENTS/COMPLETE SHIPMENTS

Netafim USA’s goal is to ship Buyer orders complete and within the requested delivery time. Netafim USA may ship orders from any available warehouse, to meet requested delivery dates, unless otherwise specified by the Buyer. Partial shipments may be made at the request of the Buyer, at the sole discretion of Netafim USA. On orders where partial shipments are requested by the Buyer, Netafim USA at its discretion may ship and backorder open items on the order. Netafim may charge additional shipping and handling costs to Buyer incurred by partial shipments of an order.

TERMS AND CONDITIONS

DELIVERY PERFORMANCE

Netafim USA will use commercially reasonable efforts to meet the delivery dates, specifications, and quantities set forth in an order confirmation. Netafim USA will not be liable for nonconformity, losses, damages, or delays suffered by the Buyer or any third party for any failure to meet the delivery dates, specifications, and quantities. If Netafim USA cannot meet the delivery date, it will notify the Buyer and use reasonable endeavors to make delivery within a reasonable time. Buyer must accept delivery and pay the Price thereof irrespective of such delay. In the absence of a delivery time set forth in the order confirmation, or subsequently provided by Netafim USA, the delivery date will be within ninety (90) days of the order confirmation.

STANDARD FREIGHT TERMS

FOB Origin, per the Uniform Commercial Code (UCC) definition. Standard shipping method is Netafim USA's choice of carrier, shipped prepaid and added to the Buyer invoice. Shipments will be made within a one hundred fifty (150) mile radius of an authorized Buyer's store.

FREIGHT POLICY

In consideration for the Buyer placing orders that meet minimum thresholds, as defined in the Freight Policy Statements (see FREIGHT CHARGES below), Netafim will provide freight allowances that may completely or partially reimburse the cost of freight. Unless otherwise agreed, the allowances will be applied against the cost of Transportation. For the purposes of this policy, "Transportation" is defined as the cost of basic freight plus fuel surcharges, using preferred carriers, with standard trucks (closed box trailer without lift gate), standard loading methods, and no accessorial charges, i.e., Best Method Transportation. Buyer requests for non-standard Transportation that results in additional costs, may be invoiced to the Buyer. Accessorial Services (non-standard services such as Lift Gates, Pallet Jacks, Driver Assist, etc.) may be charged separately on the invoice. If non-standard Transportation or Accessorial Services are billed to the Buyer, "Freight Free" shall mean that Transportation costs only will be fully reimbursed.

FREIGHT CHARGES

Netafim USA's method for charging freight, including freight allowances and order thresholds, will be communicated separately to Buyers in separate Freight Policy Statements.

FREIGHT DAMAGES

The Buyer acknowledges that risk of loss during transport is on the Buyer. Netafim USA is not liable for damage or loss occurring during shipment. Claims for such damages must be filed with the freight carrier directly. Freight damage and obvious box or pallet count shortages must be noted on the bill of lading at the time of goods receipt. Failure to do so will forfeit any remedy for such claims.

EXPORT COMPLIANCE

The "Products" sold or distributed by Netafim (i.e., commodities, technology, or software) when exported from the United States are subject to the Export Administration Regulations ("EAR") administered by the U.S. Department of Commerce. Buyer hereby certifies that it understands its obligations to comply with U.S. export controls and trade sanctions. These include the EAR and the laws and regulations implemented by the U.S. Department of the Treasury, Office of Foreign Assets Control ("OFAC"). Buyer agrees to obtain any necessary authorization to transfer the Products outside the U.S. (and to non-U.S. persons within the U.S.) including to any (i) country/territory, (ii) end-user (i.e., individual or entity), or (iii) end-use subject to U.S. trade/economic sanctions under the EAR or by OFAC. Diversion of the Products by foreign persons contrary to U.S. law is prohibited.

FORCE MAJEURE

Except for any obligation of the Buyer to pay any money due to Netafim USA, neither party will be liable for any delay or failure to perform any obligation hereunder caused by a Force Majeure Event. The Party claiming the Force Majeure Event will (A) promptly notify the other Party in writing of the Force Majeure Event and its likely duration, and (B) will take reasonable steps to overcome the delay or stoppage. "Force Majeure Event" means an event, condition, or circumstance beyond a party's reasonable control including, without limitation: industrial disputes, strikes, lockouts, accident, breakdown, import or export restrictions, acts of God, fire, inclement weather, earthquake, epidemic, or pandemic (including COVID-19 or similar), acts or threats or terrorism, war, criminal acts (including but not limited to cybercrimes), failure of public infrastructure, or other similar circumstances.

TERMS AND CONDITIONS

INTELLECTUAL PROPERTY

The Buyer acknowledges that any and all Intellectual Property associated with the Products is exclusively owned by Netafim USA or its affiliates. The Buyer shall not take any action that will impair the ownership and rights of Netafim USA in and to the Intellectual Property. Buyer undertakes that it will not obliterate, remove, conceal, or modify any Intellectual Property appearing on or in any Products, nor will it append any additional marks thereto. The Buyer shall not copy, modify, publish, transmit, transfer, sell, reproduce, create derivative works from, distribute, perform, display, or in any way exploit any of the Intellectual Property. The Buyer may not use Seller's name, logos or trademarks or any other Intellectual Property on any website. "Intellectual Property" shall mean for the purposes herein any patent, copyright, industrial design, trademark, tradename or other industrial or intellectual property right in respect of the Products and applications for any of the foregoing.

CHANGE OF CONTROL OR OWNERSHIP

Prior to the occurrence of a Change of Control event, the Buyer shall notify Netafim USA in writing at least 14 days prior to the occurrence of such Change of Control. In the event of a Change of Control in Buyer, Netafim USA may, at its sole discretion, terminate the engagement with the Buyer under the Agreement. "Change of Control" means, with respect to the Buyer (i) any merger or consolidation with or into any other entity or any other similar transaction, whether in a single transaction or a series of related transactions, (ii) a transaction or series of related transactions in which 50% or more of Buyer's voting power is transferred to any person or entity, or (iii) the sale or transfer of all or substantial amount of the Buyer's assets.

COMPLIANCE WITH LAWS, ANTI-CORRUPTION AND BRIBERY

Buyer further represents and warrants to Netafim USA that:

- a. It will conduct itself in accordance with all applicable laws and regulations in carrying out his duties under these Terms.
- b. It and its applicable stakeholders, including, inter alia, any owner, shareholder (direct or beneficial), officer, director, employee, agent, third party representative, subcontractor, contractor, or other individual with any direct or indirect beneficial interest, shall comply with Anti-Corruption Laws (defined below) and shall not cause Netafim USA, its subsidiaries or affiliates to be in violation of any Anti-Corruption Law. "Anti-Corruption Laws" mean collectively all applicable foreign and domestic anti-bribery and anti-corruption laws, regulations, orders, judicial decisions, conventions and international financial institution rules regarding domestic or international corruption, bribery, ethical business conduct, money laundering, political contributions, gifts and gratuities, or lawful expenses to public officials and private persons, agency relationships, commissions, lobbying, books and records, and financial controls.
- c. Neither it nor any of its affiliates or representatives have, directly or indirectly, taken any action that would cause them to be in violation of any Anti-Corruption Laws.
- d. It, its owners, directors, employees and its agents, have not and will not pay, offer, or promise to pay any money, financial benefit or thing of value to any government, or party official, candidate or employee at any level, including employees of state owned or controlled enterprises ("Government Officials") (i) for the purpose of influencing any act or decision of such person or party in order to obtain or retain business, or to direct business to any person; or (ii) with regards to Government Officials and/or private individuals, induce that person to or reward that person not to perform its functions in connection with that person's employment or engagement.
- e. The Buyer represents and warrants that no owner, shareholder (direct or beneficial), officer, director, employee, agent, third party representative, subcontractor, contractor, or other individual with any direct or indirect beneficial interest in Buyer (collectively, "Interested Persons"), is a Public Official or Entity. A "Public Official or Entity" means (i) an officer, employee, agent, contractor or representative of any government or military, including, but not limited to, a customs official; (ii) any department, agency, corporate entity, instrumentality or political subdivision of any government or military; (iii) any person or commercial entity acting in an official capacity for or on behalf of any government or military; (iv) any candidate for political office, any political party or any official of a political party. Buyer shall notify Netafim USA immediately if it learns at any time that (i) an Interested Person becomes a Public Official or Entity, or (ii) a Public Official or Entity acquires an ownership, voting, or economic interest in Buyer.
- f. It is neither a governmental entity, agency, or instrumentality, nor is it owned by a governmental entity, agency, or instrumentality; and no owner, shareholder (direct or beneficial), officer, director, employee, agent, third party representative, subcontractor, contractor, or other individual with any direct or indirect beneficial interest in Buyer is a foreign Public Official or Entity.
- g. In the event of a breach of the obligations contained in this clause, the sale under these Terms is void.

TERMS AND CONDITIONS

- h. The Buyer (a) is not a Sanctioned Person, (b) has not, in the past five (5) years engaged in, has any plan or commitment to engage in, direct or indirect dealings with any Sanctioned Person or in any Sanctioned Country, or (c) has in the past five (5) years violated, or engaged in any conduct sanctionable under, any Sanctions Law, nor been the subject of an investigation or allegation of such a violation or sanctionable conduct. The Buyer shall conduct itself in accordance with Sanction Laws for the performance of its obligations under these Terms.
- i. Definitions
- i. "Sanctioned Person" means, at any time, (a) any person listed in any sanctions-related list of designated persons maintained by the Office of Foreign Assets Control of the U.S. Department of the Treasury, the U.S. Department of State, or by the United Nations Security Council, the European Union or any European Union member state, (b) any person operating, organized or resident in a Sanctioned Country or (c) any person owned or controlled by any such person or persons described in the foregoing clauses (a) or (b).
- j. "Sanctioned Country" means at any time, a country or territory which is the subject or target of any economic or financial sanctions or trade embargoes.
- k. "Sanction Laws" means laws and executive orders of the United States of America, the United Nations Security Council, the European Union the United Kingdom, and the applicable laws of the jurisdictions under which the Buyer operates, imposing economic or financial sanctions or trade embargoes, and regulations implementing such laws and executive orders.

NOTICES

Notices or other communications provided for in these Terms shall be in writing and shall be delivered, given or otherwise provided (i) by hand, in which case, will be effective upon delivery, (ii) email, in which case, on the date sent if sent during normal business hours of the recipient, and on the next business day if sent after normal business hours of the recipient, or (iii) by overnight delivery by an internationally recognized courier service, prepaid for next day delivery, in which case, it will be effective two (2) business days after being deposited with such courier service.

NO WAIVER OF NETAFIM USA'S RIGHTS

Neither Netafim USA's failure or delay to exercise any power or privilege under these Terms or failure to insist upon strict compliance by the Buyer with any obligation herein, nor any custom or practice of Netafim USA or Buyer shall constitute any waiver of any of Netafim USA's rights hereunder. Waiver by Netafim USA of any default of the Buyer must be in writing and shall not affect or impair Netafim USA's rights in respect of any subsequent or future default.

ASSIGNMENT

Buyer shall not assign any of its rights or obligations hereunder to any other entity, without the Seller's prior written consent. These Terms shall inure to the benefit of the Parties hereto and their permitted successors and assigns.

SEVERABILITY

If anything in these Terms shall be held unenforceable, illegal, or void by a court of competent jurisdiction then it shall be severed, and the rest of these Terms shall remain in full force to the extent possible.

GOVERNING LAWS AND JURISDICTION

These Terms shall be governed by the laws of the State of California. The parties submit to the exclusive venue and jurisdiction of the state and federal courts of Fresno County, California.

PRODUCT WARRANTY

NETAFIM USA'S DIGITAL FARMING WARRANTY INFORMATION

(A) BASIC MANUFACTURER'S LIMITED WARRANTY

Except as to products described in Subsections (B), (C), (D), products sold and/or manufactured by Netafim Irrigation, Inc. (Netafim USA) are warranted to be free from original defects in material and workmanship for a period of one (1) year from the date of delivery to the buyer unless (a) otherwise specified by and subject to the terms and conditions of any Warranty Supplements pertaining to specific products or, (b) expressly disclaimed in writing by Netafim USA. Within the warranty period, Netafim USA at its sole discretion shall have the option to repair or replace part or all of a defective product, or refund part or all of the original purchase price, if any part proves to be defective in material or workmanship after return of such product at Buyer's expense and after such return has been authorized in writing by Netafim USA. THIS BASIC MANUFACTURER'S LIMITED WARRANTY IS SUBJECT TO THE TERMS AND PROVISIONS IN SUBSECTION (i), (LIMITATION OF REMEDIES AND DISCLAIMER OF WARRANTIES) SET FORTH BELOW IN THE EVENT OF ANY INCONSISTENCY BETWEEN SUBSECTION (A) AND SUBSECTION (i) OF THIS PRODUCT WARRANTY, THE PROVISIONS OF SUBSECTION (i) SHALL PREVAIL.

(B) LIMITED WARRANTY FOR NMC JR PRO, NMC PRO AND NMC DC SYSTEM MANAGERS (IRRIGATION CONTROLLERS)

Netafim NMC Junior Pro, NMC Pro and NMC DC System Managers are warranted to be free from original defects in materials and workmanship for a period of two (2) years from the date of shipment from Netafim USA.

(C) LIMITED WARRANTY FOR NMC AIR+ REMOTE CONTROL AND MONITORING SYSTEMS

Netafim NMC Air+ Remote Control and Monitoring Systems are warranted to be free from original defects in materials and workmanship for a period of two (2) years from the date of shipment from Netafim USA.

(D) LIMITED WARRANTY FOR NETBEAT IRRIGATION SYSTEMS

Netafim NetBeat™ Irrigation Systems are warranted to be free from original defects in materials and workmanship for a period of (18) months from the date of shipment from Netafim USA.

(E) LIMITED WARRANTY ON SINGLENET SINGLE CABLE AND RADIONET WIRELESS VALVE CONTROL SYSTEMS

Netafim SingleNet Single Cable Control System and RadioNet Wireless Valve Control System components are warranted to be free from original defects in materials and workmanship for a period of two (2) years from the date of shipment from Netafim USA.

(i) LIMITATION OF REMEDIES AND DISCLAIMER OF WARRANTIES

EXCEPT AS EXPRESSLY PROVIDED HEREIN, ALL WARRANTIES EXPRESSED OR IMPLIED, INCLUDING ANY IMPLIED WARRANTY OF MERCHANTABILITY OR FITNESS FOR A PARTICULAR PURPOSE OR USE, ARE HEREBY EXCLUDED AND DISCLAIMED. THE REMEDIES PROVIDED HEREIN SHALL BE THE EXCLUSIVE AND SOLE REMEDY OF THE BUYER. NO OTHER EXPRESS WARRANTY IS GIVEN AND NO AFFIRMATION BY NETAFIM USA, BY WORDS OR ACTION, WILL CONSTITUTE A WARRANTY. NO OTHER EXPRESS WARRANTY NOR ANY OTHER REMEDY SHALL BE AVAILABLE TO THE BUYER AND NETAFIM USA SHALL NOT BE RESPONSIBLE OR LIABLE FOR ANY DAMAGES, INCLUDING ANY LOSS OF PROFIT, LOST SAVINGS, LOSS OF SALES, OR OTHER DIRECT, INDIRECT, INCIDENTAL, SPECIAL OR CONSEQUENTIAL DAMAGES, INJURY OR DAMAGES TO ANY PERSON OR PROPERTY ARISING OUT OF THE USE OR INABILITY TO USE THE PRODUCTS OR THE BREACH OF ANY EXPRESS WARRANTY, EVEN IF NETAFIM USA HAS BEEN ADVISED OF THE POSSIBILITY OF THOSE DAMAGES OR CLAIMS. NETAFIM USA SHALL NOT BE RESPONSIBLE FOR THE AFORESAID DAMAGES, CLAIMS OR LOSSES DUE TO LATE DELIVERY OR DELIVERY OR NON-DELIVER, OR OTHERWISE. THERE ARE NO WARRANTIES WHICH EXTEND BEYOND THE DESCRIPTION AS SET FORTH HEREIN. IF NETAFIM USA SHALL FURNISH TECHNICAL ADVICE OR ASSISTANCE WITH RESPECT TO THE PRODUCTS SOLD HEREUNDER, IT SHALL BE GIVEN WITHOUT CHARGE TO BUYER AND SHALL BE GIVEN AND ACCEPTED AT BUYER'S SOLE RISK WITHOUT ANY EXPRESS OR IMPLIED WARRANTY AND NETAFIM USA SHALL NOT BE RESPONSIBLE OR LIABLE FOR THE ADVICE OR THE RESULTS THEREOF BUYER ASSUMES ALL RISK AND LIABILITY RESULTING FROM USE OF THE PRODUCT PURCHASED.

PRODUCT WARRANTY

The warranty listed above is effective only if a claim is made by written notice within the applicable warranty period and postmarked within fourteen (14) days after discovery of the defect on which the claim is based. Such notice shall be delivered to Netafim USA at the following address:

5470 E. HOME AVENUE, FRESNO, CA 93727
ATTN: PRODUCT MANAGEMENT

The buyer shall, together with its notice of claim, offer Netafim USA in writing promptly opportunity to examine the defective product and correct the defect, if possible. This warranty shall be void unless buyer delivers the defective product to Netafim USA at buyer's sole cost and in accordance with Netafim USA's instructions.

ORDERING INFORMATION

Netafim USA appreciates your business, and we maintain a policy of continued product improvement. For any ordering or pricing questions, contact our Customer Service Representatives at:

NETAFIM USA CUSTOMER SERVICE

888-638-2346 (888-NETAFIM)

ORDERS FAX 800-695-4753

SUPPORT FAX 866-253-2550

INTERNET ORDERS: netafimorders@process.esker.net

GENERAL CUSTOMER SERVICE E-MAIL: us.customerservice@netafim.com

5:00 AM - 5:00 PM PST

PRICES AND SPECIFICATIONS ARE SUBJECT TO CHANGE WITHOUT PRIOR NOTICE.

ORDERING GUIDELINES

The Netafim Dealer Portal is the most convenient way to place orders and obtain order status information. The Checkout page of the Netafim Dealer Portal will guide you to enter all required fields. Using the portal provides a greater chance of order accuracy. An accurate order is generally easier and quicker to process.

Use the following guidelines when placing an order by Fax or E-Mail with Netafim USA to ensure all the necessary information is provided.

1. Company Name and Netafim Account Number
2. Name of Person Placing Order and Phone Number
3. Shipping Information

Name of Company or Individual

Job Name or Reference (optional)

Address (no PO Boxes)

Contact Name and Phone Number (optional for parcels) City, State, Zip Code

4. Purchase Order Number
5. Requested Ship Date

If the required ship date is not known, provide an approximate date. In the absence of a delivery time set forth in the order confirmation, or subsequently provided by Netafim USA, the delivery date will be within ninety (90) days of the order confirmation. If you have requested a ship date, we will make every effort to target that date and time. If a specific date is given, the order will ship automatically, and you will not receive a call prior to pulling/packing/loading. For truck loads, the driver will call for an appointment. Please let us know if we are required to hold the order until we are notified to ship. Any changes to the original ship date must be communicated to Netafim Customer Service 48 hours prior to shipping. NOTE: Held orders are subject to restrictions and/ or may incur extra fees.

6. Ship Method

If no preferences are specified, the order will ship best method at Netafim's discretion.

7. Netafim Item or Model Number for Products Needed

Use the correct item or model number and do not use a number with a different description. Consult the Netafim Dealer Portal or your price list for the appropriate number or call Customer Service for assistance.

8. Specials or Price Quotes

If any specials or price quotes apply to the order, include this information on the purchase order, or in the appropriate field of the shopping cart of the Netafim Dealer Portal. Special requests can also be added to the order comments section of the Netafim Dealer Portal.

9. Ship Order Complete

Indicate if the order is to ship complete. If not indicated on the order, ship-complete will be the preferred order fulfillment method, but at Netafim's discretion, partial shipments are allowed.

10. Combining Orders

If order is to be combined with other orders for shipping, indicate the other order numbers.

ADDITIONAL GUIDELINES FOR TRUCKLOAD ORDERS

1. Ship to Address or Nearest City

Is a delivery map required? If yes, map is required 24 hours prior to loading.

2. Provide Requested Delivery Date and Time of Arrival for Delivery Site

3. Provide Contact Name and Phone Number

COMMISSIONING FEES

Note: The discount structure for commissioning fees has changed. Contact your Netafim sales rep.

COMMISSIONING FEES

Item Number	Model Number	Description	Price Each
79900-006100	31AIRTRAVEL	Air Travel, Round Trip	1,750.00
79900-006180	31VEHICLETRAVEL	Vehicle Travel / Hour	155.00
79900-006160	31DAILYEXPENSES	Daily Expenses	725.00
79900-006120	31ONSITESERVICE	Commissioning, Service, Training Onsite / Day / Technician	1,750.00
79900-006140	31HOURLYSERVICE	Commissioning, Service, Training / Hour / Technician, 1 hour increments	220.00
79900-006150	31PHONESERVICE	Remote support, phone or via remote web meeting	188.00
79900-006125	31ONSITERETROFIT	Installation, customization / Hour / Technician, 1-hour increments	328.00

NETBEAT



NETBEAT MCU (MAIN CONTROL UNIT)

Item Number	Model Number	Description	Price Each
74700-000020	1NBMCUDISP110V	NetBeat MCU Controller: includes touch screen display, 110VAC power supply, power tile, CPU tile, integrated Verizon Wireless-certified cellular modem , 6 expansion slots, 12vDC 5Ah battery, IP65 enclosure and keyed padlock. CPU tile includes 1 x Ethernet port, 1 x Wi-Fi / Bluetooth module with built-in antenna, LoRa NetRTU radio with external SMA antenna, 1 x RS232 port and 1 x RS485 port. Mounting requires 4 x M6x20mm bolts or optional mounting adapter. Cloud access / cellular activation requires	7,668.00

NETBEAT MCU EXPANSION OPTIONS

Item Number	Model Number	Description	Price Each
74720-000001	31NBMCUACDCTILE	NetBeat MCU AC DC Latch Tile: includes 16 programmable digital outputs (each output can be defined as 24 VAC / 24 VDC / 12V DC Latch, outputs cannot share a common wire), 4 programmable digital inputs (Off < 0.8V, On > 2.1V, Max Freq 472 Hz)	1,380.00
74720-000002	31NBMCUANLGINTILE	NetBeat MCU Analog Input Tile: includes 2 EC inputs, 2 pH inputs, 6 programmable analog inputs (0-10V, 0-20mA, 0-200 Ohm, 0-30k Ohm. If using one EC sensor, one analog input will be needed for the EC temperature sensor), 4 programmable digital inputs (Off < 0.8V, On > 2.1V, Max Freq 472 Hz)	1,779.00

NETBEAT

NETBEAT MCU COMMUNICATION OPTIONS

Item Number	Model Number	Description	Price Each
79900-006170	31NBANNUALFEE	NetBeat License Fee: required for use with NetBeat cloud interface, for remote control/monitoring.	1,260.00
74740-000460	31NBCELLBOOSTANT	MCU Cell Boost Antenna LTE MIMO	2,106.00
74740-000028	31NBLORAHIGAINKIT	NETMCU/RTU 8DBI HIGH GAIN ANTENNA KIT	1,200.00

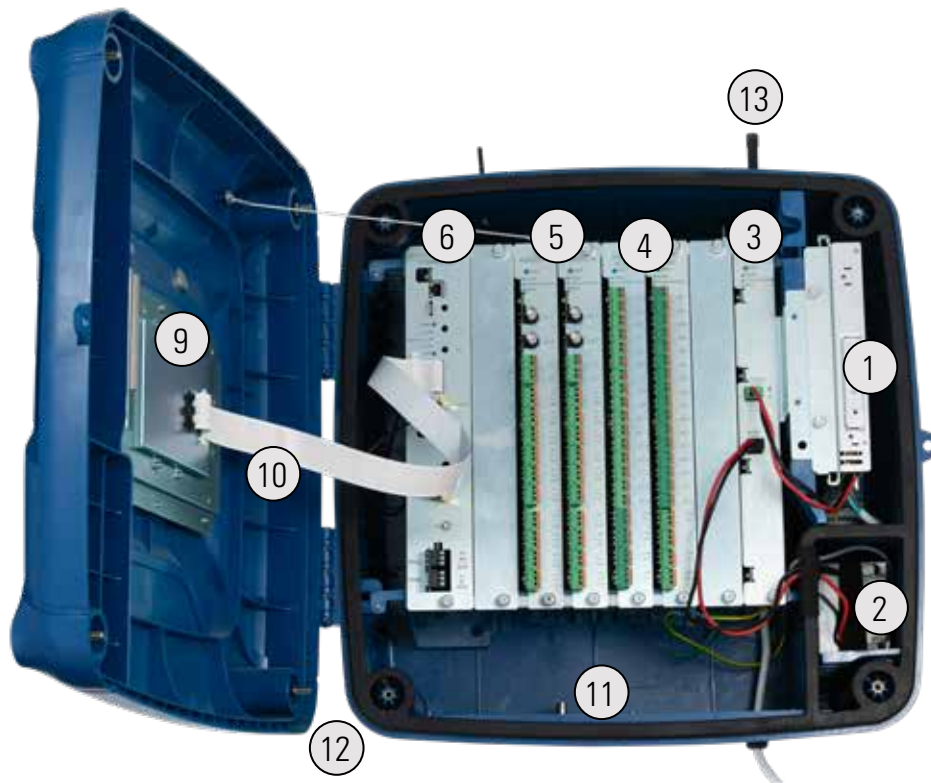
NETBEAT MCU MOUNTING OPTIONS

Item Number	Model Number	Description	Price Each
74740-000201	31NBMCUWMBRKT	NetBeat MCU Wall Mount Kit: includes all mounting hardware (screws for MCU, screws for wall, dry wall anchors, bubble level)	45.00
45000-008768	31NBMCUFKBRKT	NetBeat MCU FertiKit 3G Mount Kit: includes 2 aluminum frame brackets (requires 4 – 6 mm x 20 mm bolts, uses existing FertiKit bolts)	113.00

NETBEAT RTU (NetRTU) OPTIONS

Item Number	Model Number	Description	Price Each
74710-000003	31NBRTU2DO	NetBeat RTU 2DO: 915 MHz, 2 digital inputs, 3 analog inputs, 2 digital outputs, includes wall mount bracket	525.00
74710-000012	31NBRTU8DO	NetBeat RTU 8DO: 915 MHz, 2 digital inputs, 3 analog inputs, 8 digital outputs, includes wall mount bracket	840.00
74710-000009	31NBRTU16DO	NetBeat RTU 16DO: 915 MHz, 2 digital inputs, 3 analog inputs, 16 digital outputs, includes wall mount bracket	1,260.00
74740-000350	31NBRTUSOLAR	NetBeat RTU Solar Panel Kit: includes solar panel & mounting bracket	233.00
74740-000150	31NBANTKIT5M	NetBeat LoRa Remote Antenna Kit 5 m: includes antenna, mounting bracket, 5 m (16 ft) coax cable	237.00
74740-000135	31NBANTKIT10M	NetBeat LoRa Remote Antenna Kit 10 m: includes antenna, mounting bracket, 10 m (33 ft) cable	365.00

NETBEAT



NETBEAT MCU SPARE PARTS

Key	Item Number	Model Number	Description	Price Each
1	74740-000115	31NBMCUPWRSUPPLY	MCU Power Supply	145.00
2	74740-000116	31NBMCUBATTERY	MCU Backup Battery	135.00
3	74740-000117	31NBMCUPOWERTILE	MCU Power Tile	865.00
4	74720-000001	31NBMCUACDCTILE	MCU AC DC Latch Tile	1,380.00
5	74720-000002	31NBMCUANLGINTILE	MCU Analog Input Tile	1,779.00
6	74740-000118	31NBMCUCPUTILE	MCU Controller Tile	3,504.00
7	74720-000100	31NBMCUBUSCARD	MCU Bus Card (not pictured)	269.00
8	74720-000101	31NBMCULORA	MCU LoRa Module (on controller tile, not pictured)	427.00
9	74720-000102	31NBMCUDISPLAY	MCU Touchscreen Display	907.00
10	74740-000101	31NBMCUDISPCABLE	MCU Display Cable	120.00
11	74740-000104	31NBMCUCABLEPANEL	MCU Cable Entry Panel	32.00
12	74740-000105	31NBMCUBOXWDISP	MCU Empty Box w/ Display Cutout	1,019.00
13	74740-000110	31NBMCULORAANT	LoRa Antenna 915MHz	53.00
	74740-000111	31NBLORACABLE10M	LoRa Antenna Cable 10 m (33 ft) (not pictured)	284.00
	74740-000114	31NBLORACABLE5M	LoRa Antenna Cable 5 m (16 ft) (not pictured)	178.00
	74740-000120	31NBANTHOLD	Remote Antenna Bracket (not pictured)	4.70

NETBEAT



IRRROMETER



DELTA-T SM150



WEATHER STATION

NETBEAT SENSOR OPTIONS

Item Number	Model Number	Description	Price Each
70261-011000	36FM.75RG.1	Fertilizer flow meter, 3/4" BSP w/ NPT adapters, 0.1 USG/pulse	504.00
74340-008210	31TEMP/RH	Temperature & Humidity Sensors w/ Basic Shield	1,535.00
74340-004300	31TEMP	Temperature Sensor w/ Basic Shield	286.00
00107-014020	31PT200-4-20MA	Pressure Transducer, 200 psi, 4-20 mA, 1/4 MIPT, M12 Male Connector	282.00
00107-014021	31PTCABLE2M	Pressure Transducer Cable, 2 m (6 ft), M12 Female Connector	33.00
74730-000001	31NBIRROMETERMS30	Irrrometer Tensiometer, Most Soils, 30 cm (12 in)	392.00
74730-000002	31NBIRROMETERMS60	Irrrometer Tensiometer, Most Soils, 60 cm (24 in)	407.00
74730-000003	31NBIRROMETERMS90	Irrrometer Tensiometer, Most Soils, 90 cm (36 in)	425.00
74730-000010	31NBDTSM150T	Delta-T SM150T Kit: Includes Sensor & Cable	454.00
74740-000300	31NBDTSM150TEXT	Delta-T SM150T Extension Cable, 7.6 m (25 ft)	271.00
74730-000050	31NBWSDIRECT	Davis Weather Station, Direct Wire to MCU RS232 Port	2,077.00
45000-006705	31ECSSENSABB4G	EC & Temperature Sensor, JUMO 12mm, Bare Wires, Requires 33120-008500 for Installation	638.00
45000-006692	31PHSENS4GBNC	pH Sensor, JUMO 12mm, Glass Shaft, BNC Connector, Requires 33120-008500 for Installation	345.00
33120-008500	31SNSUNION	EC/pH Sensor Union Set 3/4" MIPT	95.00
45000-006480	31ECCALIB	EC Calibration Fluid, 20mL	4.60
45000-006440	31PHBUFFER4.0	pH Calibration Fluid, 20mL, pH 4.0	4.60
45000-006460	31PHBUFFER7.0	pH Calibration Fluid 20mL, pH 7.0	4.60

NMC PRO IRRIGATION CONTROLLER

NMC PRO

Item Number	Model Number	Description	Price Each
74340-003095	31NMCPRO	NMC Pro Irrigation Controller, 115VAC power supply, 80VA 24VAC transformer, includes 16 24VAC outputs, 8 digital inputs, data plug backup key, 7 expansion slots, double door enclosure and external 115VAC surge suppressor	7,668.00



NMC PRO COMMUNICATION OPTIONS

Item Number	Model Number	Description	Price Each
74340-000020	31NMC AIR+KIT-VZ	NMC Air+ Kit for the NMC Pro or Junior controller, includes NMC Air+ Comm-box, Verizon cellular modem, 115VAC power supply, enclosure, and 1-year license. RS485 communication card is required but it is not included. If the NMC Pro does not already have the RS485 communication card, please select either 74340-009200 or 74340-012800.	4,834.00
74340-000021	31NMC AIR+COMBOX-VZ	NMC Air+ Comm-box with Verizon cellular modem	4,624.00
00107-000004	31IX20ANTENNA	Antenna for digi IX20 (2 required per modem)	35.00
00107-000005	31IX20MODEM	Digi IX20 cell modem for NMC Air	1,808.00
00107-000006	31IX20ETHCABLE	Ethernet cable dor Digi IX20 modem	30.00
00107-000007	31IX20POWERSUPPLY	Power supply for Digi IX20 modem	170.00

NMC PRO SENSOR OPTIONS

Item Number	Model Number	Description	Price Each
74340-004955	31NMCWEATHER	Weather Station for NMC Pro Controller: includes solar radiation, wind speed, wind direction, temperature, humidity, and tipping rain bucket	4,677.00
74340-000002	31GHTRH	NMC Measuring Box, Temp & Humidity	1,569.00
74340-004270	31GHT	Greenhouse Temperature Kit: includes temperature sensor and powered ventilation box	891.00
74340-008210	31TEMP/RH	Temperature and relative humidity sensors with basic shield	1,535.00
74340-004300	31TEMP	Temperature sensor with basic shield	286.00
00107-014020	31PT200-4-20MA	Pressue transducer, 200 psi, 4-20 mA, 1/4 MIPT, M12 Male connector	282.00
00107-014021	31PTCABLE2M	Pressure transducer cable, 2 m (6ft), M12 Femal connector	33.00
33000-003315	31ECPHKIT4G	EC & pH Kit: includes 24VAC wall mount transmitter, 1 EC sensor, 1 pH sensor, calibration fluid packets (5 each of pH 7.0, pH 4.0, EC 1.41), PVC unions	2,036.00

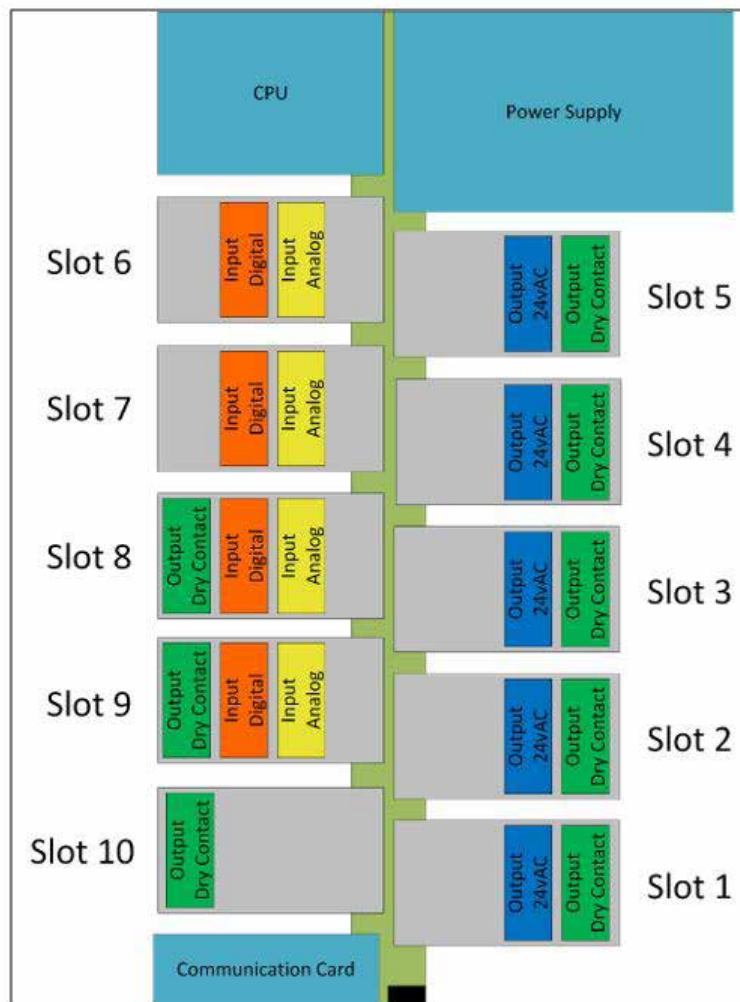
NMC PRO IRRIGATION CONTROLLER

NMC PRO EXPANSION OPTIONS

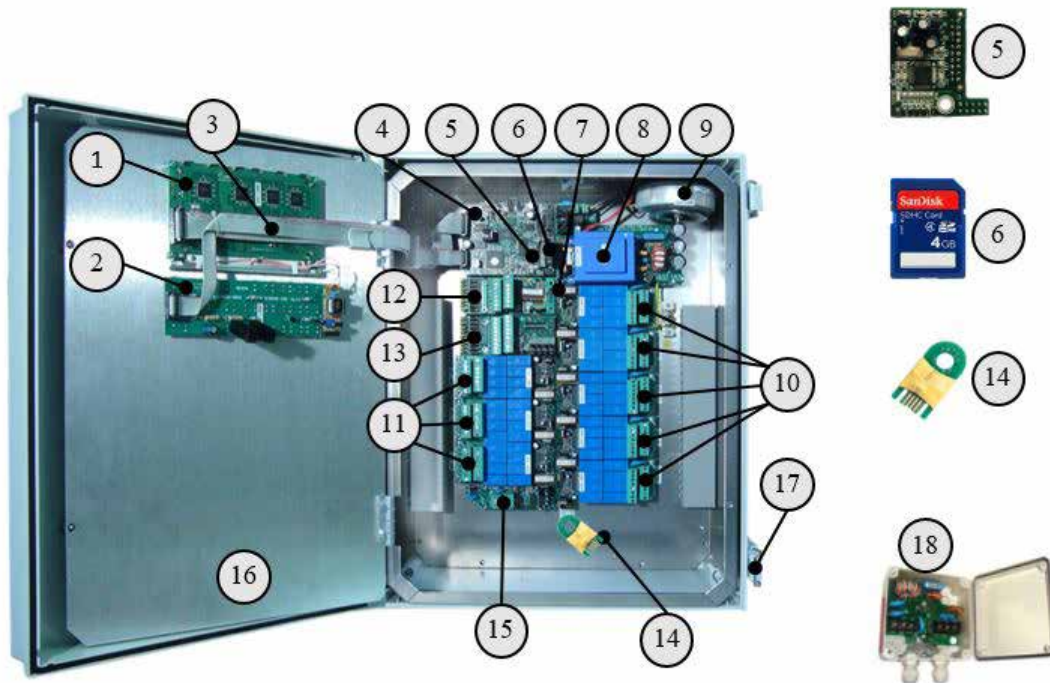
Item Number	Model Number	Description	Price Each
74340-014100	31NMCPROXPANBX	NMC Pro Expansion Box (up to 3 per NMC Pro controller), 115VAC power supply, 350VA 24VAC transformer, includes expansion CPU with RS232/RS485 communication, 10 expansion slots, and enclosure. Requires input/output boards	3,476.00
74340-008500	31NMC640B	Output board, 8 outputs, 24VAC (limit 5 per NMC Pro / NMC Pro expansion box)	583.00
74340-008600	31NMC640BDC	Output board, 8 outputs, dry contact (limit 8 per NMC Pro / NMC Pro expansion box)	583.00
74340-008800	31NMC64IBDP	Input board, 8 digital/pulse inputs (limit 4 per NMC Pro / NMC Pro expansion box)	539.00
74340-008900	31NMC64IBA	Input board, 11 analog inputs (limit 2 per NMC Pro / NMC Pro expansion box)	626.00
74340-009530	31NMCPROLICENSEKEY	NMC Pro/DC RTU license key, 128 outputs	1,105.00
74340-009560	31NMCPROLICENSE256	NMC Pro/DC RTU license key, 256 outputs	2,007.00

NMC PRO INPUT / OUTPUT BOARD OPTIONS

The NMC Pro can accommodate several different input / output cards, but there are restrictions on where these cards plug in and how many are allowed. Use this diagram to determine which cards are needed.



NMC PRO IRRIGATION & CLIMATE CONTROLLER



NMC PRO SPARE PARTS - IRRIGATION CONTROLLER & CLIMATE CONTROLLER

Key	Item Number	Model Number	Description	Price Each
1	74340-004920	31NMCPRODISP	NMC Pro/DC Display with LED Backlight	1,191.00
2	74340-003300	31NMCPROKEY	NMC Pro/DC Keyboard for LED Backlight	419.00
3	74340-020800	31NMCPRORIBBONS	NMC Pro/DC Display and Keyboard Ribbon Cable Set	Call for Quote
4	74340-014600	31NMCPROCPUCARD	NMC Pro CPU Card, includes SD Card	2,113.00
	74340-012700	31NMCPROCPUEXP	NMC Pro Expansion CPU Card	811.00
5	74340-009530	31NMCPROLICENSEKEY	NMC Pro/DC RTU license key, 128 outputs	1,105.00
	74340-009560	31NMCPROLICENSE256	NMC Pro/DC RTU license key, 256 outputs	2,007.00
6	74340-014650	31NMCSDCARD	NMC Pro/DC/Jr Pro SD Card	52.00
7	74340-007800	31NMC64IOBUSS	NMC Pro I/O Bus Card	273.00
8	74340-007900	31NMC64PS	NMC Pro Power Supply Card, 115VAC	903.00
	74340-009300	31NMCPROPWR12V	NMC Pro Power Supply Card, 12VDC	458.00
9	74340-008050	31NMCPROTRANS24	NMC Pro 115/24VAC transformer (requires 74340-007900)	242.00
10	74340-008500	31NMC64OB	NMC Pro Output card, 8 outputs, 24VAC (limit 5 per NMC Pro/NMC Pro expansion box)	583.00
11	74340-008600	31NMC64OBDC	NMC Pro Output card, 8 outputs, dry contact (limit 8 per NMC Pro/NMC Pro expansion box)	583.00
12	74340-008800	31NMC64IBDP	NMC Pro Input card, 8 digital/pulse inputs (limit 4 per NMC Pro/NMC Pro expansion box)	539.00
13	74340-008900	31NMC64IBA	NMC Pro Input card, 11 analog inputs (limit 2 per NMC Pro/NMC Pro expansion box)	626.00
14	74340-014500	31NMCPRODPP	NMC Pro/DC/Jr Pro Data Plug (Gold)	249.00
15	74340-009100	31NMC64CC	NMC Pro/DC Communication Card RS232 / RS232	1,524.00
	74340-009200	31NMC64CC	NMC Pro/DC Communication Card RS485 / RS232	539.00
	74340-012800	31NMC64CC	NMC Pro/DC Communication Card RS485 / RS485	554.00
16	74340-016670	31NMC64DBL	NMC Pro Double Door Enclosure, includes box, metal door, metal back plate, and stickers	1,027.00
17	74340-001930	31NMC64LATCH	NMC Pro Double Door Latch	27.00
18	74340-003760	31NMC64PLPBOX	NMC Pro/Jr Pro Power Supply Surge Suppressor	257.00
-	74340-014700	31NMC64UPKIT	NMC 64 Upgrade Kit, includes NMC Pro CPU, SD Card, Digital Input Card V3 Chip, NMC Pro/DC/Jr Pro Data Plug (Gold)	2,588.00

NMC JUNIOR PRO IRRIGATION CONTROLLER

NMC JUNIOR PRO

Item Number	Model Number	Description	Price Each
74340-023960	31NMCJRPROLC	NMC Junior Pro Irrigation Controller, 115VAC power supply, 50VA 24VAC transformer, includes 15 24VAC outputs, 6 digital inputs, 5 analog inputs (1 EC, 1 pH, 2 Temperature, 1 Humidity sensor), data plug backup key, double door enclosure, and external 115VAC surge suppressor	3,290.00



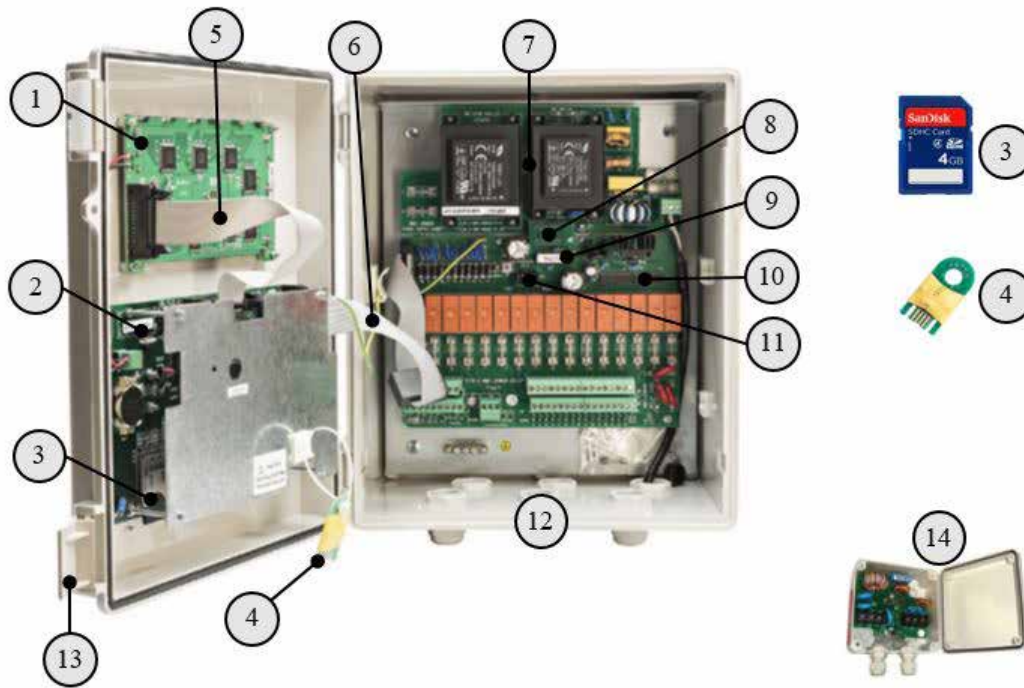
NMC JUNIOR PRO COMMUNICATIONS OPTIONS

Item Number	Model Number	Description	Price Each
74340-000020	31NMC AIR+KIT-VZ	NMC Air+ Kit for the NMC Pro or Junior controller, includes NMC Air+ Comm-box, Verizon cellular modem, 115VAC power supply, enclosure, and 1-year license. RS485 communication card is required but it is not included. If the NMC Junior Pro does not already have the RS485 communication card, please select 74340-006700.	4,834.00
74340-000021	31NMC AIR+COMBOX-VZ	NMC Air+ Comm-box with Verizon cellular modem	4,624.00
00107-000004	31IX20ANTENNA	Antenna for Digi IX20 (2 required per modem)	35.00
00107-000005	31IX20MODEM	Digi IX20 cell modem for NMC Air	1,808.00
00107-000006	31IX20ETHCABLE	Ethernet cable for Digi IX20 modem	30.00
00107-000007	31IX20POWERSUPPLY	Power supply for Digi IX20 modem	170.00

NMC JUNIOR PRO SENSOR OPTIONS

Item Number	Model Number	Description	Price Each
74340-000002	31GHTRH	NMC Measuring Box, Temp & Humidity	1,569.00
74340-004270	31GHT	Greenhouse temperature kit, includes temperature sensor and powered ventilation box	891.00
74340-008210	31TEMP/RH	Temperature and relative humidity sensors with basic shield	1,535.00
74340-004300	31TEMP	Temperature sensor with basic shield	286.00
33000-003315	31ECPHKIT4G	EC & pH Kit, includes 24VAC wall mount transmitter, 1 EC sensor, 1 pH sensor, calibration fluid packets (5 each of pH 7.0, pH 4.0, EC 1.41), PVC unions	2,036.00

NMC JUNIOR PRO IRRIGATION CONTROLLER



NMC JUNIOR PRO SPARE PARTS

Key	Item Number	Model Number	Description	Price Each
1	74340-004920	31NMCPRDISP	NMC Pro/DC/Junior Pro Display with LED Backlight	1,191.00
2	74340-009980	31NMCJRPROLEDCPU	NMC Junior Pro CPU & Keyboard for LED Backlight	1,053.00
3	74340-014650	31NMCSDCARD	NMC Pro/DC/Junior Pro SD Card	52.00
4	74340-014500	31NMCPRODP	NMC Pro/DC/Junior Pro Data Plug (Gold)	249.00
5	74340-004973	31NMCJRDISPCABLE	NMC Junior Pro Ribbon Cable for Display	28.00
6	74340-004972	31NMCJRINOUTCABLE	NMC Junior Pro Ribbon Cable for I/O Card	28.00
7	74340-004995	31NMCJRPSCARD115V	NMC Junior Pro Power Supply Card, 115VAC	604.00
	74340-004997	31NMCJRPSDC	NMC Junior Pro Power Supply Card, 12VDC	458.00
8	74340-006500	31NMC15I/OCABLE	NMC Junior Pro Power Supply I/O Card Bridge	46.00
9	74340-005103	31NMCJRINOUTCHIP	NMC Junior Pro I/O Control Chip	28.00
10	74340-009490	31NMCJRINOUTCARD	NMC Junior Pro I/O Card, 15 outputs, 6 digital inputs, 5 analog inputs (1 EC, 1 pH, 2 Temperature, 1 Humidity)	787.00
11	74340-006600	31NMC15RS232	NMC Junior Pro Communication Card, RS232	615.00
	74340-006700	31NMCJRRS485	NMC Junior Pro Communication Card, RS485	615.00
12	74340-014750	31NMCJRDDBOX	NMC Junior Pro Double Door Enclosure, includes box, metal door, metal backplate (requires 74340-016560)	281.00
-	74340-016560	31NMCJRSTICKER	NMC Junior Pro Sticker	52.00
13	74340-006650	31NMCJRCLATCH	NMC DC/Junior Pro Door Latch	23.00
14	74340-003760	31NMCPLPBOX	NMC Power Supply Surge Suppressor	257.00

NMC DC IRRIGATION CONTROLLER

NMC DC

Item Number	Model Number	Description	Price Each
74340-013950	31NMDCDC	NMC DC Irrigation Controller, 12VDC charging regulator, includes 8 12VDC latching outputs, 4 digital inputs, 4 analog inputs, data plug backup key, double door enclosure, requires solar panel or 12VDC power supply	4,707.00



NMC DC COMMUNICATIONS OPTIONS

Item Number	Model Number	Description	Price Each
00107-000004	31IX20ANTENNA	Antenna for digi IX20 (2 required per modem)	35.00
00107-000005	31IX20MODEM	Digi IX20 cell modem for NMC Air	1,808.00
00107-000006	31IX20ETHCABLE	Ethernet cable dor Digi IX20 modem	30.00
00107-000007	31IX20POWERSUPPLY	Power supply for Digi IX20 modem	170.00

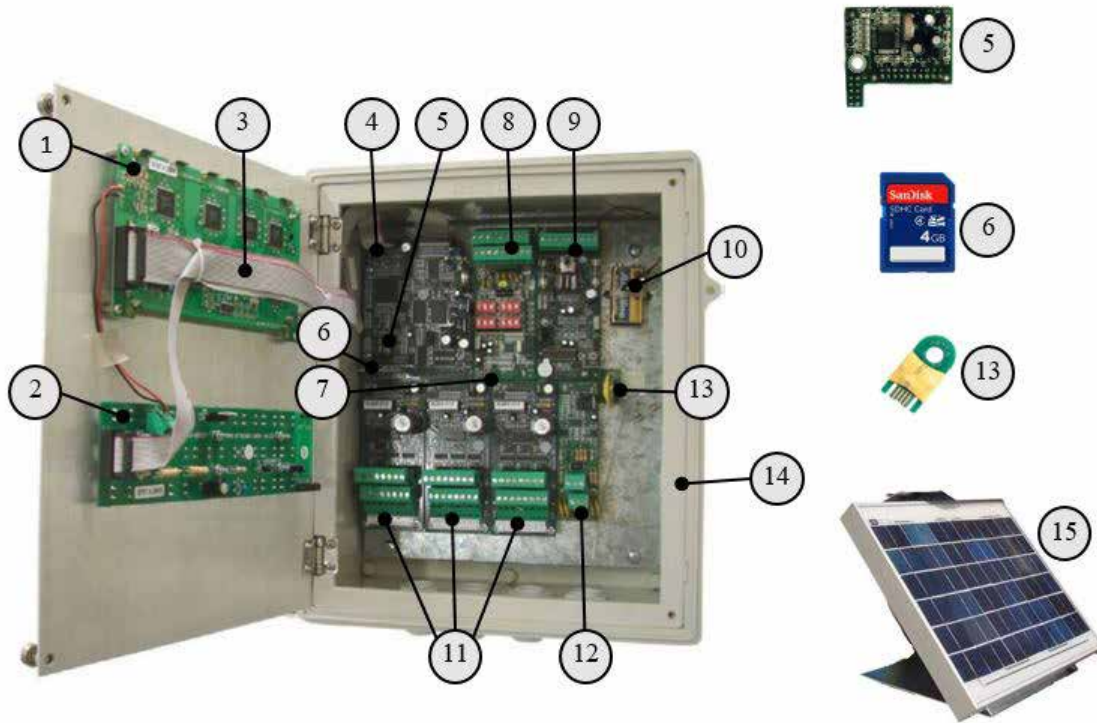
NMC DC SENSOR OPTIONS

Item Number	Model Number	Description	Price Each
74340-000002	31GHTRH	NMC Measuring Box, Temp & Humidity	1,569.00
74340-004270	31GHT	Greenhouse temperature kit, includes temperature sensor and powered ventilation box	891.00
74340-008200	31TEMP/RH	Temperature and relative humidity sensors with basic shield	1,535.00
74340-004300	31TEMP	Temperature sensor with basic shield	286.00
00107-014020	31PT200-4-20MA	Pressure transducer, 200 psi, 4-20 mA, 1/4 MIPT, M12 Male connector	282.00
00107-014021	31PTCABLE2M	Pressure transducer cable, 2 m (6 ft), M12 Female connector	33.00
33000-003315	31ECPHKIT4G	EC & pH Kit, includes 24VAC wall mount transmitter, 1 EC sensor, 1 pH sensor, calibration fluid packets (5 each of pH 7.0, pH 4.0, EC 1.41), PVC unions	2,036.00

NMC DC EXPANSION OPTIONS

Item Number	Model Number	Description	Price Each
74340-009530	31NMCPROLICENSEKEY	NMC Pro/DC RTU license key, 128 outputs	1,105.00
74340-009560	31NMCPROLICENSE256	NMC Pro/DC RTU license key, 256 outputs	2,007.00

NMC DC IRRIGATION CONTROLLER



NMC DC SPARE PARTS

Key	Item Number	Model Number	Description	Price Each
1	74340-004920	31NMCPRODISP	NMC Pro/DC/Junior Pro Display with LED Backlight	1,191.00
2	74340-003300	31NMCPROKEY	NMC Pro/DC Keyboard for LED Backlight	419.00
3	74340-008300	31NMCPROFLATCABL	NMC Pro/DC Display and Keyboard Ribbon Cable Set	128.00
4	74340-022000	31NMCDCCPU	NMC DC CPU Card, without SD Memory Card	1,881.00
5	74340-009530	31NMCPROLICENSEKEY	NMC Pro/DC RTU license key, 128 outputs	1,105.00
	74340-009560	31NMCPROLICENSE256	NMC Pro/DC RTU license key, 256 outputs	2,007.00
6	74340-014650	31NMCSDCARD	NMC Pro/DC/Junior Pro SD Card	52.00
7	74340-022300	31NMCDCBUS	NMC DC I/O Bus Card	96.00
8	74340-022100	31NMCDCINP	NMC DC Input Card, 4 digital, 4 analog (Temp, 0-5v, 4-20mA user selectable)	515.00
9	74340-022400	31NMCDCPOWER	NMC DC Power supply and charging regulator card	291.00
10	99010-001170	-	9VDC Backup Battery	Call for Quote
11	74340-022200	31NMCCLATCHOUT	NMC DC Latching Output Card, 8 outputs (limit 3 per NMC DC controller)	537.00
12	74340-009100	31NMCRCR	NMC Pro/DC Communication Card RS232 / RS232	1,524.00
	74340-009200	31NMC64CC	NMC Pro/DC Communication Card RS485 / RS232	539.00
	74340-012800	31NMCPCRO2RS485	NMC Pro/DC Communication Card RS485 / RS485	554.00
13	74340-014500	31NMCPRDDP	NMC Pro/DC/Junior Pro Data Plug (Gold)	249.00
14	74340-014760	31NMCDCBOX	NMC DC Double Door Enclosure, includes box, metal door, metal back plate, and stickers	635.00
-	74340-006650	31NMCJRDCLATCH	NMC DC/Junior Door Latch	23.00
15	74340-023500	31SOLARPANEL	NMC DC Solar Panel Kit, includes 20VA solar panel, 12VDC 9AH SLA battery, mounting bracket	1,573.00
-	74340-022850	31BRKTNMDC	NMC DC Pole mount bracket with battery holder	363.00

COMPONENTS

COMMUNICATION

Item Number	Model Number	Description	Price Each
00035-006750	31NMCDIRCPLUG9P	RS232 Cable, 6ft., DB9 Female, bare wire (Gr=COM, Yel=TX, Blu=RX), use to connect an NMC RS232 card to a PC	99.00
74340-003550	31NMCMUX485	NMC Multiplexer, RS485 115VAC, includes card and enclosure, use to connect 1 or more NMC controllers with RS485 cards to a RS232 dialup modem or PC, requires a RS232 cable (00035-006750)	1,739.00
74340-009800	31NMCCLP	NMC Multiplexer card, RS485 115VAC	1,265.00

EC/PH 4G

Item Number	Model Number	Description	Price Each
33000-003315	31ECPHKIT4G	EC & pH Kit, includes 4G Monitor (24VAC, wall mount), 1 EC sensor, 1 pH sensor, calibration fluid packets (5 each of pH 7.0, pH 4.0, EC 1.41), PVC unions	2,036.00
74340-003580	31ECPH4G24ACWL	EC & pH 4G Monitor for single EC & pH sensor, 24VAC, wall mount, requires EC & pH sensors	974.00
74340-003581	31ECPH4GDL24ACPL	EC & pH 4G Monitor for single EC & pH sensor, 24VAC, panel mount, requires EC & pH sensors	1,124.00
74340-003582	-	EC & pH 4G Monitor for dual EC & pH sensors, 24VAC, panel mount, requires 2 EC & 2 pH sensors	1,881.00
45000-006705	31ECSSENSABB4G	EC & temperature sensor, JUMO 12mm, bare wire	638.00
45000-006692	31PHSENS4GBNC	pH sensor, JUMO 12mm, glass, BNC connector	345.00
33120-008500	31SNSUNION	EC/pH sensor union set, 3/4" MIPT	95.00
45000-006480	31ECCALIB	EC Calibration fluid, 20mL	4.60
45000-006440	31PHBUFFER4.0	pH Calibration fluid, 20mL, pH 4.0	4.60
45000-006460	31PHBUFFER7.0	pH Calibration fluid, 20mL, pH 7.0	4.60

INPUTS/SENSORS

Item Number	Model Number	Description	Price Each
74340-004955	31NMCWEATHER	Weather Station for NMC Pro controller, includes solar radiation, wind speed, wind direction, temperature, humidity, and tipping rain bucket	4,677.00
74340-000002	31GHTRH	NMC Measuring Box, Temp & Humidity	1,569.00
74340-004270	31GHT	Greenhouse temperature kit, includes temperature sensor and powered ventilation box	891.00
74340-008200	31TEMP/RH	Temperature and relative humidity sensors with basic shield	1,535.00
74340-004300	31TEMP	Temperature sensor with basic shield	286.00
74340-010400	31RS	Radiation shield for temperature and relative humidity sensor	615.00
74340-010300	31CTS	Temperature sensor	179.00
74340-010100	31CB	Climatic box, for housing temperature and relative humidity sensors	903.00
74340-010200	31CCBF	Climatic box fan, for adding powered ventilation to climatic box	191.00
00107-014020	31PT200-4-20MA	Pressure transducer, 200 psi, 4-20 mA, 1/4 MIPT, M12 Male connector	282.00
00107-014021	31PTCABLE2M	Pressure transducer cable, 2 m (6 ft), M12 Female connector	33.00
70261-011000	36FM.75RG.1	Fertilizer flow meter, 3/4" BSP w/ NPT adapters, 0.1 USG/pulse	504.00

OUTPUTS/CONTROLS

Item Number	Model Number	Description	Price Each
35500-001300	3135500-001300	Aquative solenoid, 24VAC, with bracket	104.00
35500-002000	3135500-002000	Aquative solenoid, 12VDC latching, with bracket	99.00
35500-002100	61AQTVDCL2	Aquative solenoid (2), 12VDC latching, with bracket	243.00
35500-002200	61AQTVDCL3	Aquative solenoid (3), 12VDC latching, with bracket	285.00
35500-002300	61AQTVDCL4	Aquative solenoid (4), 12VDC latching, with bracket	345.00
00107-005450	28RELAY12VDCL	Output relay DPDT, 12VDC latching, with base	213.00
77100-012020	31NETACIDCON	Direct pump control box, single phase up to 20 Amp, includes Hand-Off-Auto selector switch, solid state relay	745.00

SOIL MOISTURE PROBES



STANDALONE DRILL AND DROP PROBES, SDI-12, TRISCAN

Item Number	Model Number	Description	Price Each
00107-000125	31STKPROBE-SINGLE	Drill and Drop Probe, Single Point, TriScan, SDI-12	564.00
00107-000117	31STKPROBE-1FT	Drill and Drop Probe, 1ft TriScan, SDI-12	1,172.00
00107-000118	31STKPROBE-2FT	Drill and Drop Probe, 2ft TriScan, SDI-12	1,462.00
00107-000119	31STKPROBE-3FT	Drill and Drop Probe, 3ft TriScan, SDI-12	1,706.00
00107-000120	31STKPROBE-4FT	Drill and Drop Probe, 4ft TriScan, SDI-12	1,934.00
00107-000121	31STKPROBE-5FT	Drill and Drop Probe, 5ft TriScan, SDI-12	2,725.00

BLUETOOTH PACKAGES (PROBE AND SOFTWARE), TRISCAN

Item Number	Model Number	Description	Price Each
00107-000107	31STKBLTOOTHPK-2FT	2 Foot Bluetooth Package (includes 1 Year IrriMax Software License)	2,008.00
00107-000108	31STKBLTOOTHPK-3FT	3 Foot Bluetooth Package (includes 1 Year IrriMax Software License)	2,292.00
00107-000109	31STKBLTOOTHPK-4FT	4 Foot Bluetooth Package (includes 1 Year IrriMax Software License)	2,575.00



COMPACT ALL-IN-ONE PACKAGES (PROBE, TELEMETRY AND SOFTWARE), TRISCAN

Item Number	Model Number	Description	Price Each
00107-000112	31STKCOMPACTPK-2FT	2 Foot Compact Package (includes 1 Year IrriMax Software License)	3,629.00
00107-000113	31STKCOMPACTPK-3FT	3 Foot Compact Package (includes 1 Year IrriMax Software License)	3,871.00
00107-000114	31STKCOMPACTPK-4FT	4 Foot Compact Package (includes 1 Year IrriMax Software License)	4,148.00

SOIL MOISTURE PROBES



TOOLS, SPARE PARTS AND ACCESSORIES

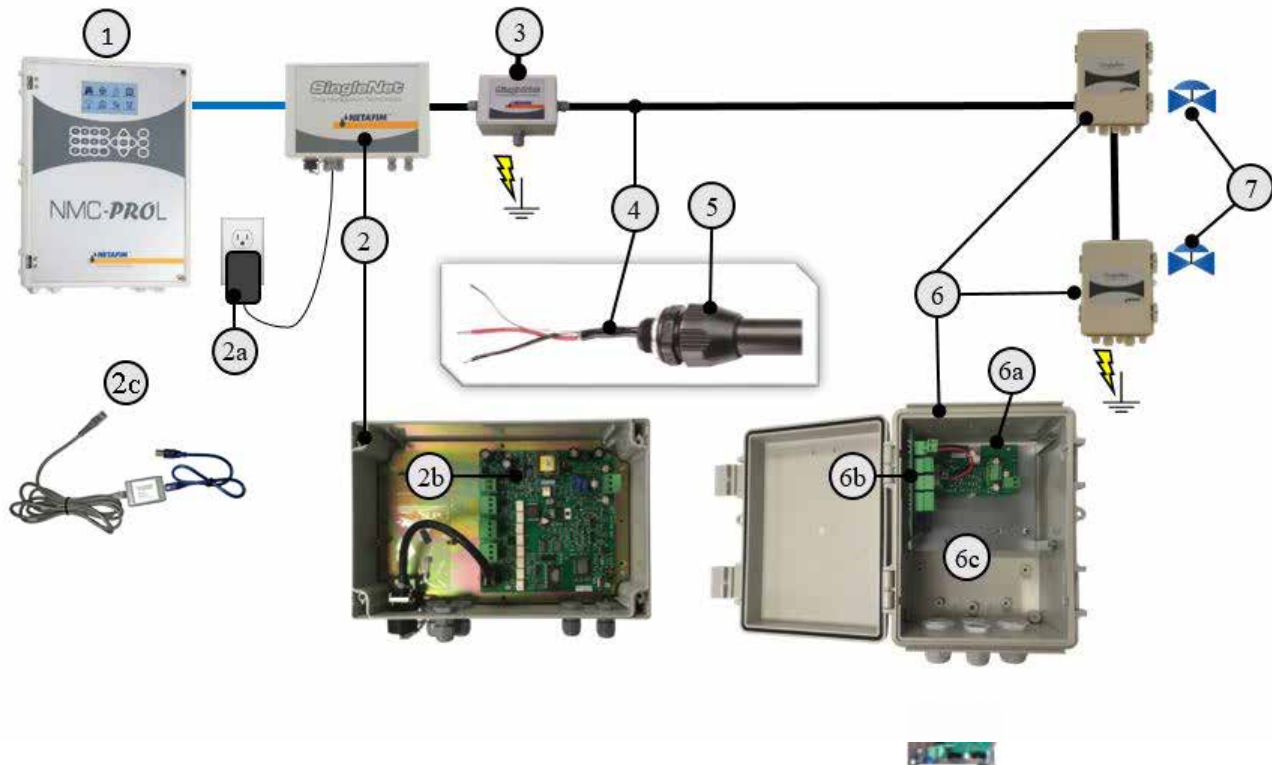
Key	Item Number	Model Number	Description	Price Each
1	00107-000110	31STKCABLESDI12	Sentek SDI-12 Cable Only	77.00
2	00107-000124	31STKTRIPOD	TriPod for Installation Augers	838.00
3	00107-000115	31STKEXTRACTTOOL	Extraction Tool	982.00
4	00107-000106	31STKBATTERY	Probe Replacement Battery	168.00
5	00107-000111	31STKCMPTTELOONLY	Compact (All-in-One) Telemetry Unit Only	2,238.00
6		31STKAUGER-1FT	Auger - 1' depth	672.00
7	00107-000103	31STKAUGER-2FT	Auger - 2' depth	686.00
8	00107-000104	31STKAUGER-3FT	Auger - 3' depth	884.00
9	00107-000105	31STKAUGER-4FT	Auger - 4' depth	914.00
10	00107-000100	31STKANTENNA4MIP68	Antenna Cable, 13.1ft (4m) IP68	108.00
11	00107-000101	31STKANTENNABASE	Antenna with Base, 7dB	103.00
12	00107-000123	31STKPROGRAMCABLE	Programming Cable, Drill & Drop USB	245.00
13	-	31STKIRRIMAX12MO	IrriMAX Live, 12-month Probe Subscription	214.00
4, 13	00107-000122	31STKRENEWALPKG	Renewal Package (Battery, Data, Software)	564.00
15	00107-000126	31STKPCABLESDI12	Sentek Programming Cable, SDI-12	272.00
2, 6, 3	00107-000127	31STKDDINSTALLKIT	Sentek DD Installer Kit (Plastic Tripod, Augers. & Extraction Tool)	3,780.00

SINGLETNET

COMPATIBLE
WITH NETBEAT

SINGLETNET

Key	Item Number	Model Number	Description	Price Each
1	-	-	Requires NMC Pro/DC Controller, including RTU license key and RS232 or RS485 communication card	-
2	00035-001760	31SCSCWOPW	SingleNet Host, for use with NMC Pro/DC controller, requires 12VDC 2A power supply	3,208.00
2a	77100-050320	31DCPOWER12V2A	SingleNet Host Power Supply, 115VAC to 12VDC 2A, Wall Plug, Screw Terminal, No Wire	80.00
2b	00035-008350	31SCRS	SingleNet Host card, for use with NMC Pro/DC controller, requires enclosure and 12VDC 2A power supply	2,799.00
2c	00035-014780	31POLENETCABLE	PoleNet USB RJ45 Programming Cable	184.00
3	00107-008300	31SCLPM	SingleNet Host Lightning Suppression Module	1,279.00
4	00107-007980	31SC0016C-1000	SingleNet RTU Cable, 1000' spool, ½" PE Conduit	2,758.00
	00107-007990	31SC0016C-2500	SingleNet RTU Cable, 2500' spool, ½" PE Conduit	6,887.00
5	00107-007960	31SC0016CLTC	SingleNet RTU Cable Liquid Tight Connector	23.00
6	74340-014900	31SCRTU2	SingleNet RTU, 2 DC latching outputs, 2 digital inputs	1,028.00
	74340-015000	31SCRTU4	SingleNet RTU, 4 DC latching outputs, 4 digital inputs	1,477.00
	74340-015400	31SCRTU2PL	SingleNet RTU with Lightning Protection, 2 DC latching outputs, 2 digital inputs	1,360.00
	74340-015500	31SCRTU4PL	SingleNet RTU with Lightning Protection, 4 DC latching outputs, 2 digital inputs	1,732.00
6a	00035-008150	31SRTU2LAT2D	SingleNet RTU card, 2 DC latching outputs, 2 digital inputs, requires enclosure	729.00
6b	00035-008200	31SCRTULP	SingleNet RTU Lightning Protection card, no enclosure	370.00
6c	74340-016000	31SCEMPTYBOX	SingleNet RTU box, metal backplate, empty	191.00
	35500-003260	31SCRTUBRKT1	SingleNet RTU bracket (not pictured)	49.00
7	-	-	DC latching outputs, see page 19	-

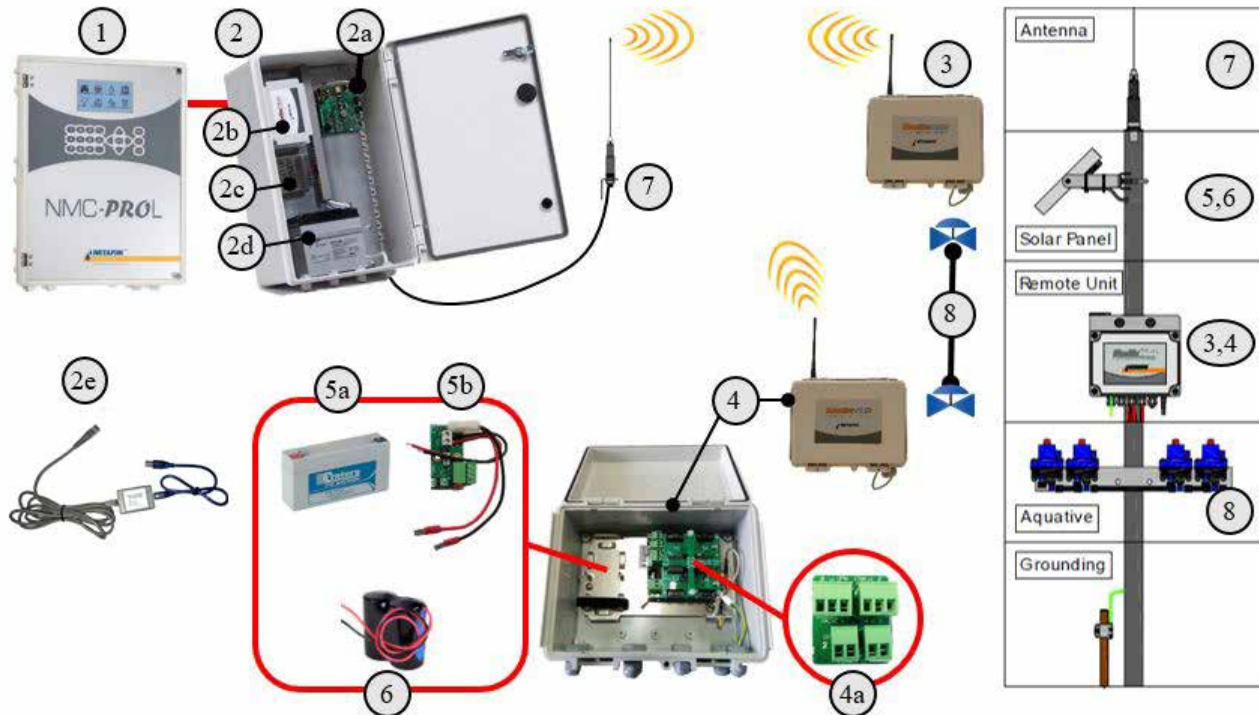


**COMPATIBLE
WITH NETBEAT**

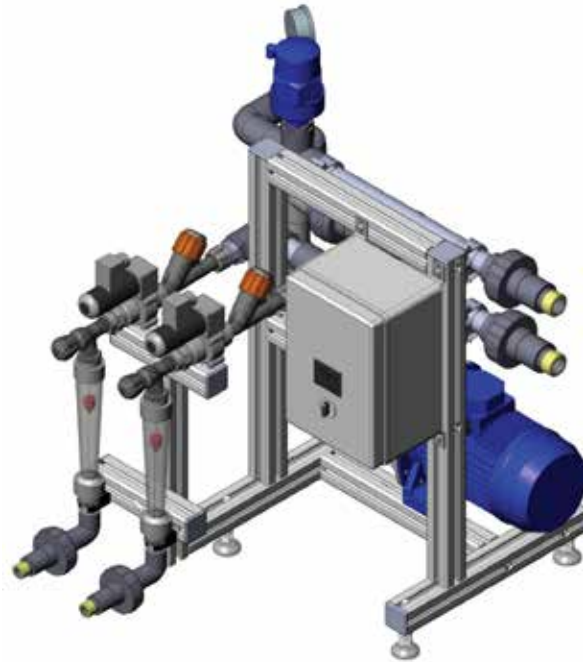
RADIONET

RADIONET

Key	Item Number	Model Number	Description	Price Each
1	-	-	Requires NMC Pro/DC Controller, including RTU license key and RS232 or RS485 communication card	
2	74360-007600	31RNHBKIT	RadioNet Host Kit, for use with NMC Pro/DC controller, includes host base, battery, battery charger, antenna with 33' cable, PoleNet programming cable, screwdriver, mounting hardware	8,996.00
2a	74330-012000	31RNHOST	RadioNet Host, for use with NMC Pro/DC controllers	3,530.00
2b	74330-012100	31RNBASE	RadioNet Base Radio, 450 to 470 MHz, 100mW	2,099.00
2c	74330-003010	31RN3BATCHARGER	RadioNet Host Battery Charger, 110VAC to 12VDC	235.00
2d	00107-008101	31RNBATT12VDC	Rechargeable Battery, 12VDC 24AH SLA	360.00
2e	00035-014780	31POLENETCABLE	PoleNet USB RJ45 Programming Cable	184.00
3	74330-012195	31RNRTU2X2	RadioNet 2x2 RTU, 2 latching outputs, 2 digital inputs, not expandable, cannot act as a repeater	993.00
4	74330-012200	31RNRTU	RadioNet Expandable RTU, 1 latching output, 2 digital inputs, 4 expansion slots, expandable to 9 latching outputs and 10 digital inputs, limit 4 per expandable RTU	1,521.00
4a	74330-013140	31RNEXPCARD	RadioNet RTU Expansions Card, 2 latching outputs, 2 digital inputs, limit 4 per expandable RTU	171.00
4b	74330-012230	31RNDCP	R-Net DCP RTU 1XAI 3XDI Exclude Cap Card	1,355.00
4c	74370-003300	31RNDCPAIEXP	R-Net DCP Expansion Card 2 X AI	376.00
4d	00035-013150	31RNSERIALEXPCARD	R-Net SERIAL EXP CARD RS232/485/SDI12	209.00
4e	74330-012250	31RNDFMEXPCARD	NetaCap Probe I/F Kit Cable and 3.5v reg	137.00
4f	74330-012240	31RNRTUCAP	R-Net DCP Capacitor Card	333.00
5	74330-005760	31RNSOLARPAN3W	RadioNet Solar Panel Kit, 9v 3w, includes solar panel, mounting bracket, charging regulator, requires rechargeable battery	369.00
5a	74330-003025	31RNRECHARBATT6V	RadioNet RTU Rechargeable Battery, 6VDC SLA, requires solar panel kit	94.00
5b	74330-002960	31RNSOLCHGREG	RadioNet solar panel charging regulator	174.00
6	74330-010200	31RTLITHBATT	RadioNet RTU Lithium Metal Battery pack, 7.2VDC 8.5 AH, non-rechargeable	125.00
7	74330-005020	31RNANTG10FT	Antenna with 10' cable	254.00
	74330-005060	31RNANG19FT	Antenna with 19' cable	298.00
	74330-005120	31RNANTG33FT	Antenna with 33' cable	338.00
8	-	-	DC latching outputs, see page 19	



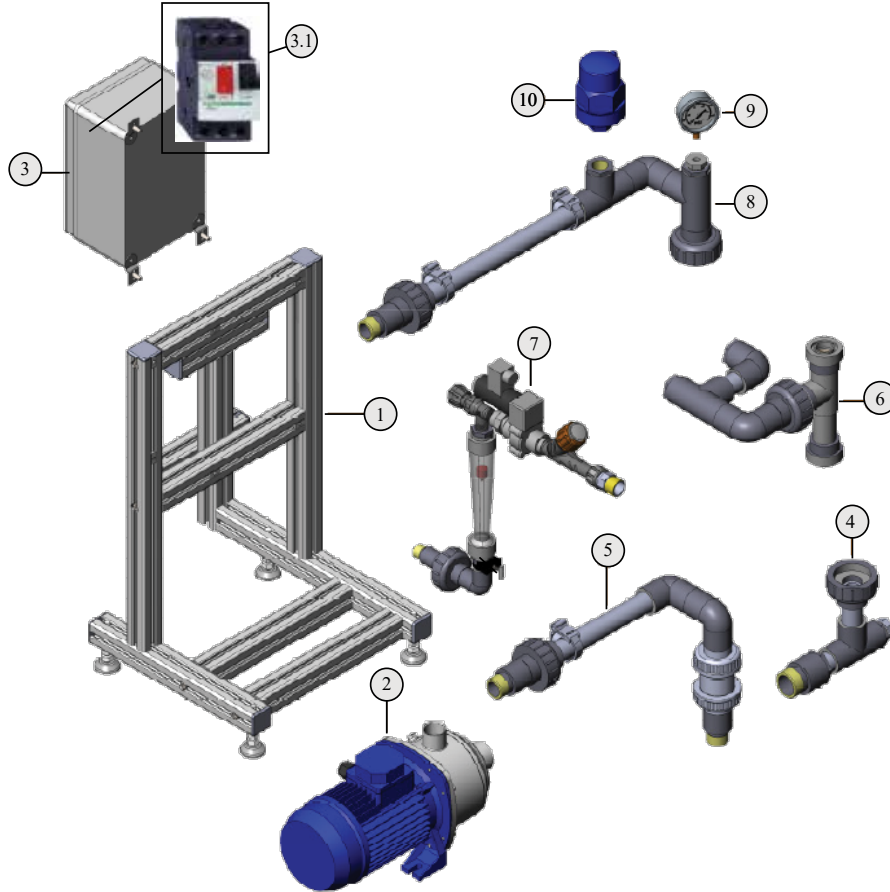
FERTIONE PLUS



FERTIONE PLUS

Item Number	Model Number	Description	Price Each
33250-000600	31FTO+50PSI	FertiOne Plus Low Pressure: suitable for mainlines with operating pressure between 29 and 58 psi; includes 2 fertilizer/diluted acid channels at 158 GPH, 440VAC three phase booster pump (MTX5-2 60Hz 0.95 kW 1.28 HP) electrical control box with manual starter, Manual-Off-Auto selector switch, SCH 80 NPT PVC fittings	5,258.00
33250-000601	31FTO+80PSI	FertiOne Plus High Pressure: suitable for mainlines with operating pressure between 58 and 87 psi; includes 2 fertilizer/diluted acid channels at 158 GPH, 440VAC three phase booster pump (MTX5-3 60Hz 1.35 kW 1.81 HP) electrical control box with manual starter, Manual-Off-Auto selector switch, SCH 80 NPT PVC fittings	5,337.00
33250-000603	31FTO+50PSI1PH	FertiOne Plus Low Pressure Single Phase: suitable for mainlines with operating pressure between 29 and 58 psi; includes 2 fertilizer/diluted acid channels at 158 GPH, 220VAC single phase booster pump (MTX5-2 60Hz 0.9 kW 1.2 HP), electrical control box with manual starter, contactor, Manual-Off-Auto selector switch, SCH 80 NPT PVC fittings	5,224.00
33250-000602	31FTO+80PSI1PH	FertiOne Plus High Pressure Single Phase: suitable for mainlines with operating pressure between 58 and 87 psi; includes 2 fertilizer/diluted acid channels at 158 GPH, 220VAC single phase booster pump (MTX5-3 60Hz 1.3 kW 1.8 HP), electrical control box with manual starter, contactor, Manual-Off-Auto selector switch, SCH 80 NPT PVC fittings	5,337.00

FERTIONE PLUS



FERTIONE PLUS SPARE PARTS

Key	Item Number	Model Number	Description	Price Each
1	45000-040720	-	FTOUS Aluminum Frame	416.00
2	77800-025525	31FTO+PUMPMXT5-2	Pump MTX 5-2T6 3x220/440 60 Hz	895.00
	77800-025515	31FTO+PUMPMXT5-3	Pump MTX 5-3T6 3x220/440 60 Hz	1,028.00
	77800-025520	31FKPUMPE52T6	Pump MTX 5-2T6/0.9M 1x220 6.3A 60 Hz	986.00
	77800-023250	31FKPUMPE53T6	Pump MTX 5-3T6/1.3M 1x220 7.7A 60 Hz	1,183.00
3	77210-003350	-	FTOUS Switchbox MTX 5-2T6 3X440V 60 Hz	Call for Quote
	77210-003360	-	FTOUS Switchbox MTX 5-3T6 3X440V 60 Hz	Call for Quote
	77210-003370	-	FTOUS Switchbox MTX 1X220V 6.3-10A 0.9-1.3KW	Call for Quote
3.1	77120-003350	-	Overload 1.6-2.5 A for FertiOne, GV2ME01, MTX 5-2 3x440 2.2A	134.00
	77120-003360	-	Overload 2.5-4 A for FertiOne, GV2ME08, MTX 5-2 3x440 2.9A	134.00
	77100-011935	-	Overload 4-6.3 A for FertiOne, GV2ME10, MTX 5-2 3x220 4A, MTX 5-3 3x220 5.3A	134.00
4	33241-000699	-	FTOUS Inlet to Dosing Booster Set	415.00
5	33241-000704	-	FTOUS Dosing Booster Outlet	170.00
6	33241-000698	-	FTOUS Suction Manifold Set	868.00
7	33241-000705	31FTO+DOSCHNVERT	FTOUS Assembled Dosing Channel 160 GPH SCH80	746.00
8	33241-000697	-	FTOUS Inlet to Venturi Set	501.00
9	77540-003400	-	Pressure Gauge 250 GLZ 145 psi 1/4" BSP	24.00
10	70561-003730	65ARIS075-PP	Air Valve 3/4" DG-010 NPT	178.00
	77540-008470	31FTO+DOSVLVS12	Dosing Valve FIP S12 24VAC 50/60H Z 3/8"	328.00
	76420-007955	31FTO+CHKVLV	Line Check Valve 3/4" *3/4" EPDM	68.00
	76400-011376	31FTO+NEEDLEVLV	Needle Valve 1/2" High Flow	43.00
	77540-007590	31FTO+ROTOMETER	STUBBE Rotometer DFM 185 16-160 GPH ASTM	155.00

FERTIKIT



FERTIKIT 3GP SP NPT

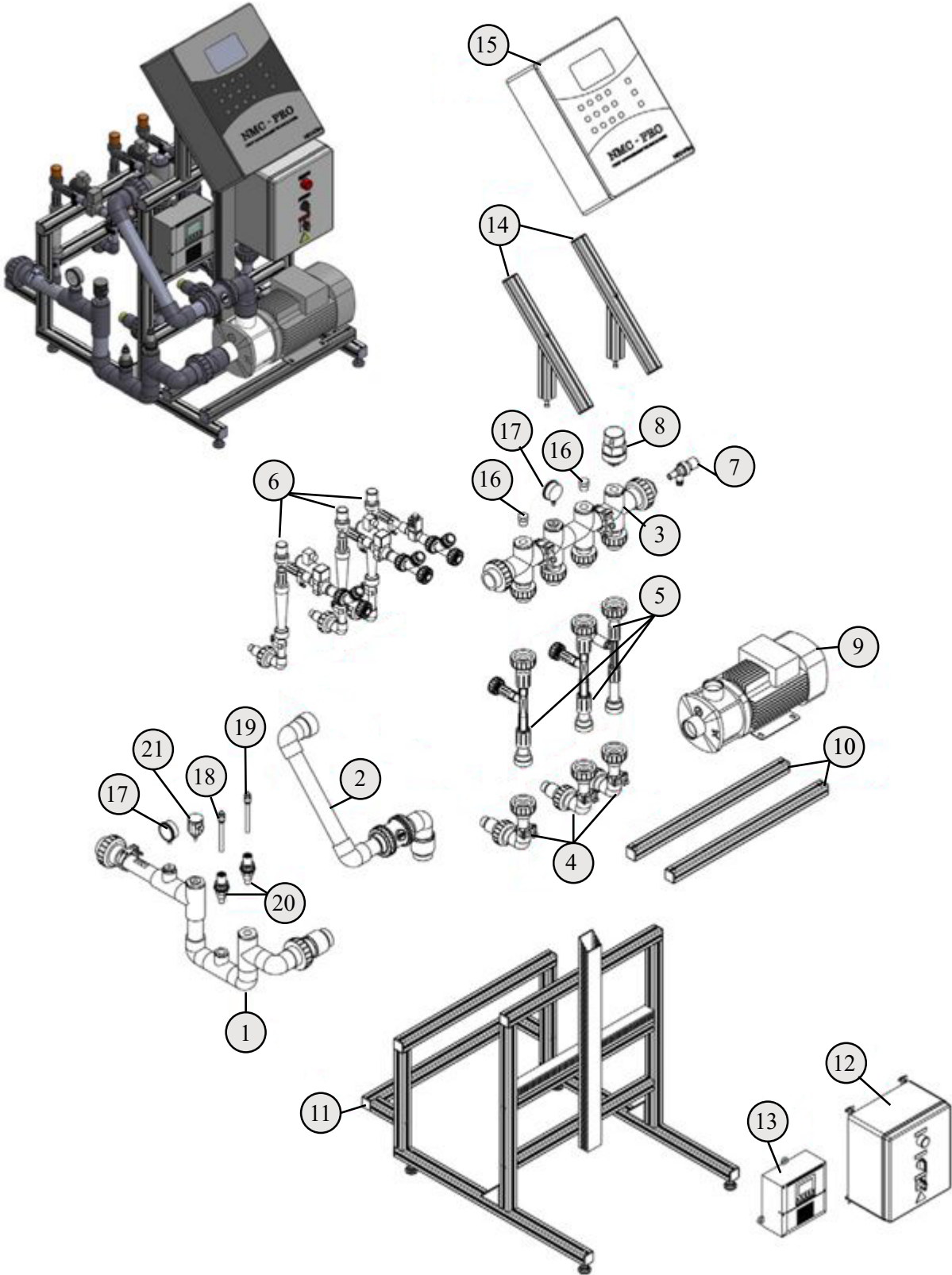
Item Number	Model Number	Description	Price Each
33200-049000	31FKS2F351ACPNPTAR	<p>FertiKit 3G SP NPT Low Flow, includes 4 dosing channel slots, 2 Fertilizer Dosing Channels at 35 GPH, 1 Acid Dosing Channel at 13 GPH, and 1 expandable dosing channel slot (for a 13 or 35 GPH dosing channel), 220VAC single phase booster pump (MTX5-3 60Hz), electrical control box with disconnect, pump breaker, and Hand-Off-Auto selector switch, SCH 80 NPT PVC fittings.</p> <p>EC/pH Monitoring Kit, includes 4G Monitor (24VAC, wall mount), 1 EC sensor, 1 pH sensor, calibration fluid packets (5 each of pH 7.0, pH 4.0, EC 1.41), PVC unions.</p> <p>NMC Pro Irrigation Controller, 115VAC power supply, 80VA 24VAC transformer, includes 16 24VAC outputs (5 used by FertiKit, 11 free), 8 digital inputs (1 used by FertiKit, 7 free), 11 analog inputs (2 used by EC/pH Monitoring Kit, 9 free), data plug backup key, 6 expansion slots, double door enclosure.</p> <p>NMC Air+ Kit for the NMC Pro or Junior controller, includes NMC Air+ combobox, Verizon cellular modem, 115/220V AC power supply, NMC Pro RS485 communication card, 1-year license, endosure.</p>	21,819.00
33200-050030	31FKS2F901ACPNPTAR	<p>FertiKit 3G SP NPT High Flow, includes 4 dosing channel slots, 2 Fertilizer Dosing Channels at 90 GPH, 1 Acid Dosing Channel at 13 GPH, and 1 expandable dosing channel slot (for a 13, 35, or 90 GPH dosing channel), 440VAC three phase booster pump (CM15-2), electrical control box with disconnect, pump breaker, and Hand-Off-Auto selector switch, SCH 80 NPT PVC fittings.</p> <p>EC/pH Monitoring Kit, includes 4G Monitor (24VAC, wall mount), 1 EC sensor, 1 pH sensor, calibration fluid packets (5 each of pH 7.0, pH 4.0, EC 1.41), PVC unions.</p> <p>NMC Pro Irrigation Controller, 115VAC power supply, 80VA 24VAC transformer, includes 16 24VAC outputs (5 used by FertiKit, 11 free), 8 digital inputs (1 used by FertiKit, 7 free), 11 analog inputs (2 used by EC/pH Monitoring Kit, 9 free), data plug backup key, 6 expansion slots, double door enclosure.</p> <p>NMC Air+ Kit for the NMC Pro or Junior controller, includes NMC Air+ combobox, Verizon cellular modem, 115/220V AC power supply, NMC Pro RS485 communication card, 1-year license, endosure.</p>	23,598.00

FERTIKIT 3G SP NPT EXPANSION OPTIONS

Item Number	Model Number	Description	Price Each
33241-009210	31FKNPT13GPHCHN	FertiKit 3G SP NPT Acid Dosing Channel 13 GPH, complete, Baccara Solenoid, SCH80	1,216.00
33241-009200	31FKNPT35GPHCHN	FertiKit 3G SP NPT Fertilizer Dosing Channel 35 GPH, complete, FIP S12 Solenoid, SCH80	1,218.00
33241-009220	31FKNPT90GPHCHN	FertiKit 3G SP NPT Fertilizer Dosing Channel 90 GPH, complete, FIP S12 Solenoid, SCH80	1,368.00

FERTIKIT

FERTIKIT 3G SP NPT



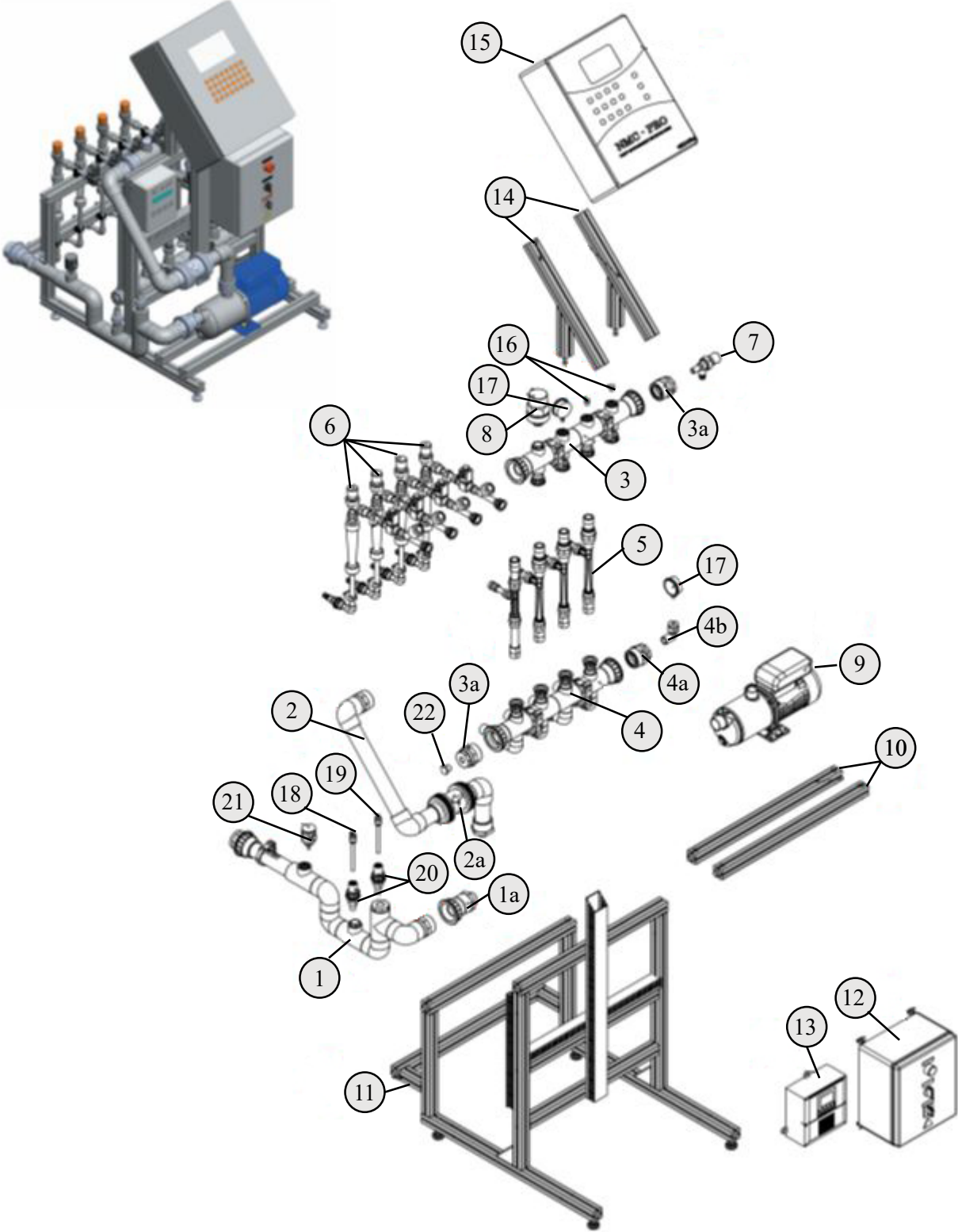
FERTIKIT

FERTIKIT 3G SP NPT SPARE PARTS

Key	Item Number	Model Number	Description	Price Each
1	33241-009040	31FKNPTINMTX53	FertiKit 3G SP NPT Inlet to MTX5-3 60Hz pump, SCH80	386.00
	33241-009030	31FKNPTINCM152	FertiKit 3G SP NPT Inlet to CM15-2 60Hz pump, SCH80	401.00
2	33241-009060	31FKNPTOUTMTX53	FertiKit 3G SP NPT Outlet from MTX5-3 60Hz pump, SCH80	355.00
	33241-009050	31FKNPTOUTCM152	FertiKit 3G SP NPT Outlet from CM15-2 60Hz pump, SCH80	386.00
3	33241-000002	31FKNPTENTOUT	FertiKit 3G SP NPT Upper manifold, SCH80	708.00
4	33241-009070	31FKNPTVENTOUT	FertiKit 3G SP NPT Venturi outlet, 1" MIPT SCH80	160.00
5	33241-009110	31FK3SNPTVENT13GPH	FertiKit 3G SP NPT Venturi, PVDF (Viton), 13 GPH, SCH80	258.00
	33241-009100	31FK3SNPTVENT40GPH	FertiKit 3G SP NPT Venturi, polypropylene, 40 GPH, SCH80	180.00
	33241-009090	31FK3SNPTVENT90GPH	FertiKit 3G SP NPT Venturi, polypropylene, 90 GPH, SCH80	255.00
6	33241-009210	31FKNPT13GPHCHN	FertiKit 3G SP NPT Acid dosing channel 13 GPH, complete, Baccara solenoid, SCH80	1,216.00
6	33241-009200	31FKNPT35GPHCHN	FertiKit 3G SP NPT Fertilizer dosing channel 35 GPH, complete, FIP S12 solenoid, SCH80	1,218.00
		31FK3SNPTVERT40GPH	FertiKit 3G SP NPT Fertilizer dosing channel, vertical part, 4-40 GPH, SCH80	267.00
		31FK3SNPTHZNFS12	FertiKit 3G SP NPT Fertilizer dosing channel, horizontal part, FIP S12 solenoid, SCH80	468.00
6	33241-009220	31FKNPT90GPHCHN	FertiKit 3G SP NPT Fertilizer dosing channel, complete, FIP S12 solenoid, SCH80	1,368.00
		31FK3SNPTVERT90GPH	FertiKit 3G SP NPT Fertilizer dosing channel, vertical part, 10-90 GPH, SCH80	263.00
		31FK3SNPTHZNFS12	FertiKit 3G SP NPT Fertilizer dosing channel, horizontal part, FIP S12 solenoid, SCH80	468.00
7	76400-011375	31FKNDLEVLVORNG	FertiKit 3G SP NPT Sampling valve	43.00
8	70561-003730	65ARIS075-PP	Continuous air vent, 3/4" MIPT (DG-010)	178.00
9	77800-023250	31FKPUMPE53T6	MTX5-3 60Hz 220VAC 7.7A Single phase pump, 1.3kW	1,183.00
	77800-002996	31FKPUMPCM15-2	CM15-2 60Hz 220VAC 14.8A / 440VAC 7.2A Three phase pump, 4kW	2,775.00
10	45000-008759	31FK3ALMFRMPUMP	Aluminum frame set for pump	181.00
			Aluminum frame (not available as a spare part)	
12	33220-001300	31FKNPTSWBDMTRX	Pump switchboard for MTX5-3	1,886.00
	77100-013640	31FKLUCBC12B	Pump switchboard contactor for MTX5-3	410.00
	33220-001450	31FKNPTSWBDCM15	Pump switchboard for CM15-2	1,759.00
	77100-013620	31FKLUCBC18B	Pump switchboard contactor for CM15-2	371.00
13	74340-003580	31ECPH4G24ACWL	EC/pH 4G Monitor, 24vAC, Wall Mount, requires EC and pH sensor	974.00
14	45000-008757	31FK3ALMFRMNMCPRO	Aluminum frame set for NMC Pro controller	388.00
			NMC Pro controller	
16	77400-027100	31PLUG.75	Plug, 3/4" MIPT SCH80	4.40
17	77540-003400	31FKPRESGAUGE145P	Pressure gauge, 145 psi (10 bar), 1/4" BSP male	24.00
18	45000-006692	31PHSENS4GBNC	pH sensor, JUMO 12mm, glass, BNC connector	345.00
19	45000-006705	31ECSSENSABB4G	EC & temperature sensor, JUMO 12mm, bare wire	638.00
20	33140-008500	31SNSUNION	EC/pH sensor union set, 3/4" MIPT	95.00
21	77800-002180	31FKPRESSWITCH	Pressure switch, 14 to 45 psi (1 to 3 bar), 1/4" BSP male	230.00
	77800-000019	31FKEMTXSEALKIT	Ebara Matrix 5 Seal Kit	110.00
	77800-025566	31FKEMTXSCREWKIT	Ebara Matrix 5 Drain Tank Screw Kit	34.00

FERTIKIT

FERTIKIT 3G SP METRIC



FERTIKIT

FERTIKIT 3G SP METRIC SPARE PARTS

Key	Item Number	Model Number	Description	Price Each
1	33240-025000	-	FertiKit 3G SP Inlet	230.00
1a	33240-005670	31FKPUMPEOUTKIT	Pump inlet & outlet for MTX5-3	146.00
	33240-002666	31FK3BPADP2	Pump inlet for CM15-2	73.00
2	33240-005670	31FKPUMPEOUTKIT	Pump inlet & outlet for MTX5-3	146.00
	33240-000018	31FK3BPACM15-2OUT	Pump outlet for CM15-2	57.00
2a	77300-025045	31FK3CHCKVLV50	FertiKit 3G check valve, 50mm	99.00
3	33240-002100	31FKIT3GMANIF	FertiKit 3G SP Upper manifold	380.00
3a	33240-002251	31FK3PVCRED50-05	Reducer, DN50 x 1/2"	50.00
4	33220-002110	31FK3GSPLOWERMANIF	FertiKit 3G SP Lower manifold (with separation discs)	457.00
4a	33240-002252	31FK3PVCRED50-75	Reducer, DN50 x 3/4"	50.00
4b	33240-004100	31FK3ELBOW	Elbow for gauge	30.00
5	33240-003200	31FK3SVENT13GPH	Venturi for Concentrated Acid, 13 GPH	280.00
	33240-002300	31FK3SVENT35GPH	Venturi for Fertilizer, 35 GPH	131.00
	33240-002320	31FK3SVENT65GPH	Venturi for Fertilizer, 65 GPH	321.00
6	33230-002000	31FK3GDCH13GPHAB	FertiKit 3G Acid Channel 13 GPH Complete (Baccara Solenoid)	1,000.00
	33230-001550	31FK3GDCH40GPHF	FertiKit 3G Dosing Channel 35 GPH Complete (FIP S12 Solenoid)	1,044.00
	33230-001670	31FK3GDCH95GPHF	FertiKit 3G Dosing Channel 95 GPH Complete (FIP S12 Solenoid)	1,170.00
	33240-006010	31FK3GDCH95GPHVNCV	NFXSP- Dosing Channel 400L No Check Valve	761.00
6a	33230-004150	31BURKETKITMTRC	FertiKit 3G SP Acid dosing channel, horizontal part, Burkert solenoid, metric	1,843.00
7	76400-011375	31FKNDEVLVORNG	FertiKit 3G SP NPT Sampling valve	43.00
8	70561-003730	65ARIS075-PP	Continuous air vent, 3/4" MIPT (DG-010)	178.00
9	77800-023250	31FKPUMPE53T6	MTX5-3 60Hz 220VAC 7.7A Single phase pump, 1.3kW	1,183.00
	77800-002996	31FKPUMPCM15-2	CM15-2 60Hz 220VAC 14.8A / 440VAC 7.2A Three phase pump, 4kW	2,775.00
10	45000-008759	31FK3ALMFRMPUMP	Aluminum frame set for pump Aluminum frame (not available as a spare part)	181.00
12	33220-001300	31FKNPTSWBDMTRX	Pump switchboard for MTX5-3	1,886.00
	77100-013640	31FKLUCBC12B	Pump switchboard contactor for MTX5-3	410.00
	33220-001450	31FKNPTSWBDCM15	Pump switchboard for CM15-2	1,759.00
	77100-013620	31FKLUCBC18B	Pump switchboard contactor for CM15-2	371.00
13	74340-003580	31ECPH4G24ACWL	EC/pH 4G Monitor, 24vAC, Wall Mount, requires EC and pH sensor	974.00
14	45000-008757	31FK3ALMFRMNMCPRO	Aluminum frame set for NMC Pro controller	388.00
	45000-008758	31FK3ALMFRMNM CJR	Aluminum frame set for NMC Jr Pro controller	388.00
16	77300-016010	31PLUGDN16	Plug, DN16 (1/2") BSP	2.10
17	00110-001810	6809020-160	Pressure gauge, 1/4" MIPT, 0-160 psi	91.00
18	45000-006701	31PHSENSABB	pH sensor, JUMO 12mm, glass, bare wire	456.00
19	45000-006705	31ESENSABB4G	EC & temperature sensor, JUMO 12mm, bare wire	638.00
20	33120-008500	31SNSUNION	EC/pH sensor union set, 3/4" BSP	95.00
21	77800-002180	31FKPRESSWITCH	Pressure switch, 14 to 45 psi (1 to 3 bar), 1/4" BSP male	230.00
22	77400-027100	31PLUGDN8	Plug, DN8 (1/4") BSP	4.40

NETAFLEX 3G

SPARE PARTS &
CALIBRATION FLUIDS
INCLUDED

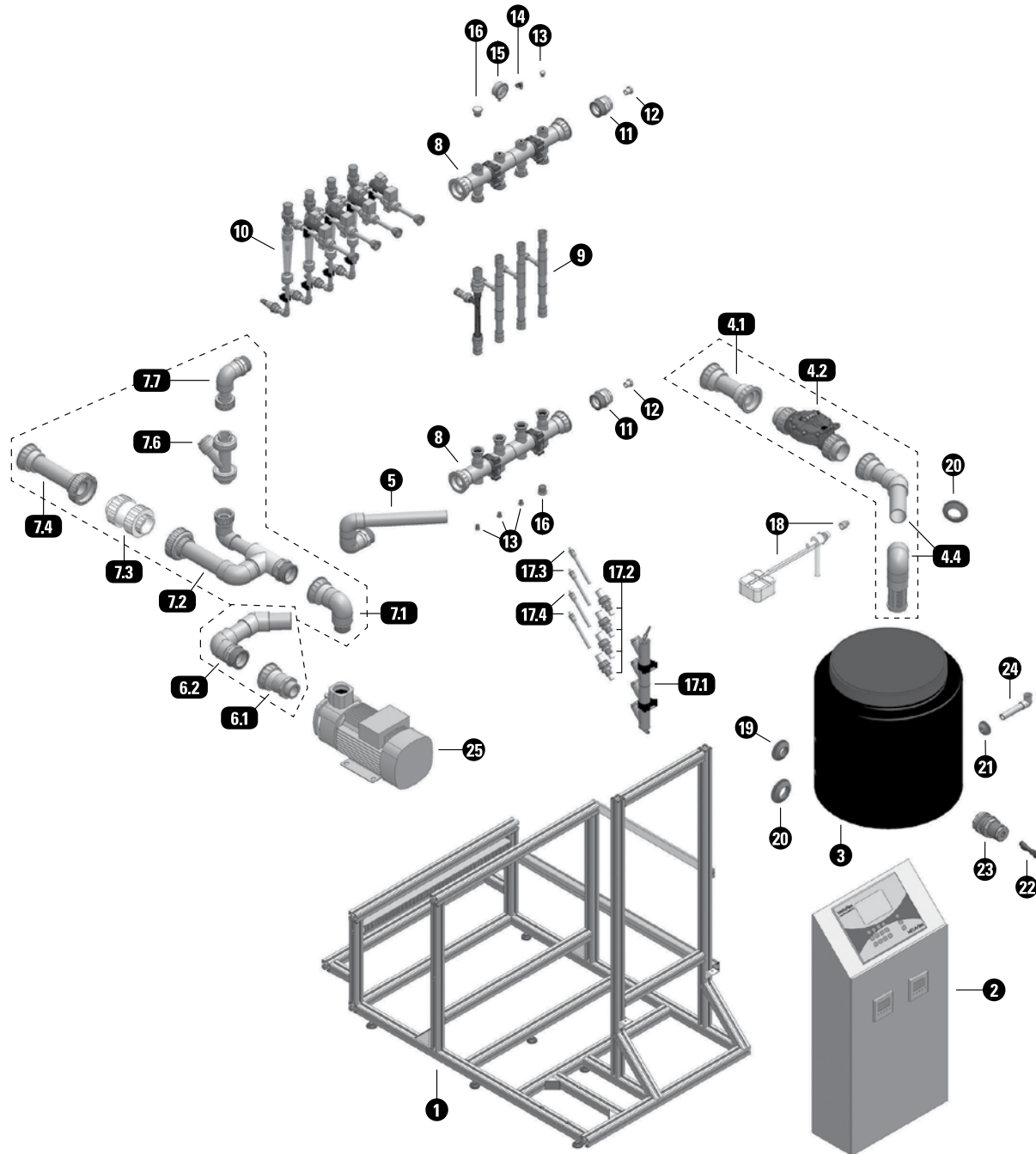


NETAFLEX 3G

Item Number	Model Number	Description	Price Each
33400-000012	31NF6F150CM15-2	<p>NetaFlex 3G: High Flow (up to 80 GPM): includes 6 fertilizer dosing channels at 150 l/h (35 GPH), can be used for diluted acid (see manual for limitations), 220VAC three phase booster pump (CM15-2), electrical control box with disconnect, pump breaker, and Hand-Off-Auto selector switch, metal enclosure</p> <p>EC/pH Monitoring Kit: includes 4G Monitor (24VAC, panel mount), 1 EC sensor, 1 pH sensor, calibration fluid packets (5 each of pH 7.0, pH 4.0, EC 1.41), PVC unions</p> <p>NMC Pro Irrigation Controller: 115VAC power supply, 250VA 24VAC transformer, includes 16 24VAC outputs (7 used by NetaFlex, 9 free), 8 digital inputs (1 used by NetaFlex, 7 free), 11 analog inputs (2 used by EC/pH Monitoring Kit, 9 free), data plug backup key, 6 expansion slots</p> <p>Spare Parts and Calibration Fluids: (1) 50 l/h dosing channel (low flow units) or (1) 150 l/h dosing channel (high flow), (1) single 50 l/h venturi and (1) dual 50 l/h venturi (low flow) or (1) single 150 l/h and (1) dual 150 l/h venturi (high flow), Seals for tanks, tank adaptor and overflow assembly, (1) pH sensor, (1) SS screen filter element, and (13) EC, (26) pH 4.0 and (26) pH 7.0 calibration fluid packets</p>	30,912.00
33400-000013	31NF6F50CM10-2	<p>NetaFlex 3G: Low Flow (up to 50 GPM): includes 6 fertilizer dosing channels at 50 l/h (13 GPH), can be used for diluted acid (see manual for limitations), 220VAC three phase booster pump (CM10-2), electrical control box with disconnect, pump breaker, and Hand-Off-Auto selector switch, metal enclosure</p> <p>EC/pH Monitoring Kit: includes 4G Monitor (24VAC, panel mount), 1 EC sensor, 1 pH sensor, calibration fluid packets (5 each of pH 7.0, pH 4.0, EC 1.41), PVC unions</p> <p>NMC Pro Irrigation Controller: 115VAC power supply, 250VA 24VAC transformer, includes 16 24VAC outputs (7 used by NetaFlex, 9 free), 8 digital inputs (1 used by NetaFlex, 7 free), 11 analog inputs (2 used by EC/pH Monitoring Kit, 9 free), data plug backup key, 6 expansion slots</p> <p>Spare Parts and Calibration Fluids: (1) 50 l/h dosing channel (low flow units) or (1) 150 l/h dosing channel (high flow), (1) single 50 l/h venturi and (1) dual 50 l/h venturi (low flow) or (1) single 150 l/h and (1) dual 150 l/h venturi (high flow), Seals for tanks, tank adaptor and overflow assembly, (1) pH sensor, (1) SS screen filter element, and (13) EC, (26) pH 4.0 and (26) pH 7.0 calibration fluid packets</p>	30,085.00

NETAFLEX 3G

NETAFLEX 3G PARTS

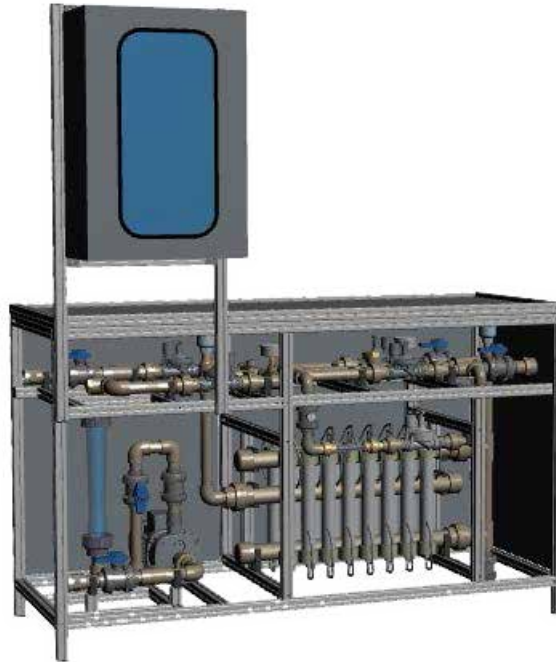


NETAFLEX 3G

NETAFLEX 3G SPARE PARTS

Key	Item Number	Model Number	Description	Price Each
1	-	-	Frame for NetaFlex 3G (not available as a spare part)	-
2	77100-013620	31FKLUCBC18B	Contractor for CM10-2 & 15-2 pump	371.00
3	77600-001986	31NFTANK200L	Water tank 200L-Blue 55cm diam. 114cm-high	Call
4	33240-006878	31NFINLET	NetaFlex Inlet Kit	578.00
4.1	33240-006660	31NFINLET2VLV	System Inlet (part of kit)	122.00
4.2	71600-035968	3161FL323PLNOFLOAT	Float valve (part of kit)	391.00
4.4	33240-006310	31NFINLETVLV2TANK	Diffuser kit (part of kit)	191.00
5	33240-006400	31NFMANTANKINLET	Lower manifold to tank adaptor	Call
6	33240-006881	31NFPUMPINC10-2	Tank to Pump Inlet Kit for Grundfos CM10-2	Call
	33240-006879	31NFPUMPINC15-2	Tank to Pump Inlet Kit for Grundfos CM15-2	Call
6.1	33240-006880	31NFPUMPOUTCM10-2	Pump Outlet for Grundfos CM10-2	Call
	33240-006877	31NFPUMPOUTCM15-2	Pump Outlet for Grundfos CM15-2	Call
7.3	77400-032600	31NFOUTLETCHKVLV	Check valve (part of kit)	163.00
7.4	33240-006875	31NFKVLVDCM10-2	Check valve for Grundfos CM10-2	
	33240-006872	31NFKVLVDCM15-2	Check valve for Grundfos CM15-2	
7.6	77540-007100	31NFSCREENFILTER	Screen Filter 100 Mesh	175.00
	77540-007110	31NFSCRELEMENTPVCU	Screen Filter Element 100 Mesh	26.00
	77540-007120	31SCRELEMENTSS	Screen Filter Element 240 Mesh	26.00
8	33240-002100	31FKIT3GMANIF	Upper / lower manifold	380.00
9	33240-003200	31FK3SVENT13GPH	Venturi PVDF-M50 (13 GPH)	280.00
	33240-003250	31FK3SVENT13GPHD	Venturi PVDF-M50 (13 GPH) Dual	290.00
	33240-002370	31FK3SVENT150GPH	Venturi PVC-N600 (158 GPH)	158.00
	33240-002375	31FK3SVENT150GPHD	Venturi PVC-N600 (158 GPH) Dual	170.00
10	33230-001950	31FK3GDCH15GPHA	FSA-CH-050L/H-S12-VITON-PVDF50	1,256.00
	33230-001570	31FK3GDCH35GPHV	FSA-CH-150L/H-S12-VITON-PP150	1,111.00
	33230-001680	31FK3GDCH95GPHV	FSA-CH-400L/H-S12-VITON-PP370	964.00
11	33240-002251	31FK3PVCRED50-05	Reducer 50mm - 1/2"	50.00
12	77300-016010	-	PVC threaded plug 1/2" - male	Call
13	77300-016000	-	Plug 1/4"	Call
14	76400-003503	55P4694804-B	Plastic Male 90° Elbow 8mm x 1/4" (10/bag)	59.40
15	00110-001810	6809020-160	Pressure Gauge 0-160 psi, 1/4"	91.00
16	77400-027100	31PLUGDN8	PVC threaded plug 3/4" - male	Call
17.1	33240-003050	31ECPHMANIFOLD	EC/pH manifold (single EC & pH)	187.00
17.2	33120-008500	31SNSUNION	Union adapter set for EC/pH sensor	95.00
17.3	45000-006705	31ESENSABB4G	EC+temp sensor jumo 12MM	638.00
17.4	45000-006692	31PHSENS4GBNC	PH sensor jumo 12mm glass w/bnc connect	345.00
18	75080-002900	31WLFLOAT.5	Water level float 1/2"	42.00
19	77600-014000	31NFTANKSEALFERT	Penetration seal for lower manifold to tank adaptor	28.00
20	77600-006550	31NFTANKSEALINOUT	Penetration seal for Tank Inlet/Outlet	28.00
21	77600-006510	31NFOVERFLOWSEAL	Penetration seal for Overflow assembly	28.00
22	77100-007930	31NFFLOWSWITCH	Low level switch	86.00
23	33240-006220	31NFFLOWSWITCHCASE	Low level switch casing	163.00
24	33240-006450	31NFOVERFLOW	Overflow assembly	Call
25	77800-027315	31FKPUMPCR45-1	Grundfos CR45-1 Pump, Three Phase 60Hz	9,444.00
	77800-003019	31FKPUMPCM10-2	Grundfos CM10-2 Pump, Three Phase 60Hz	1,923.00
	77800-002996	31FKPUMPCM15-2	Grundfos CM15-2 Pump, Three Phase 60Hz	2,775.00

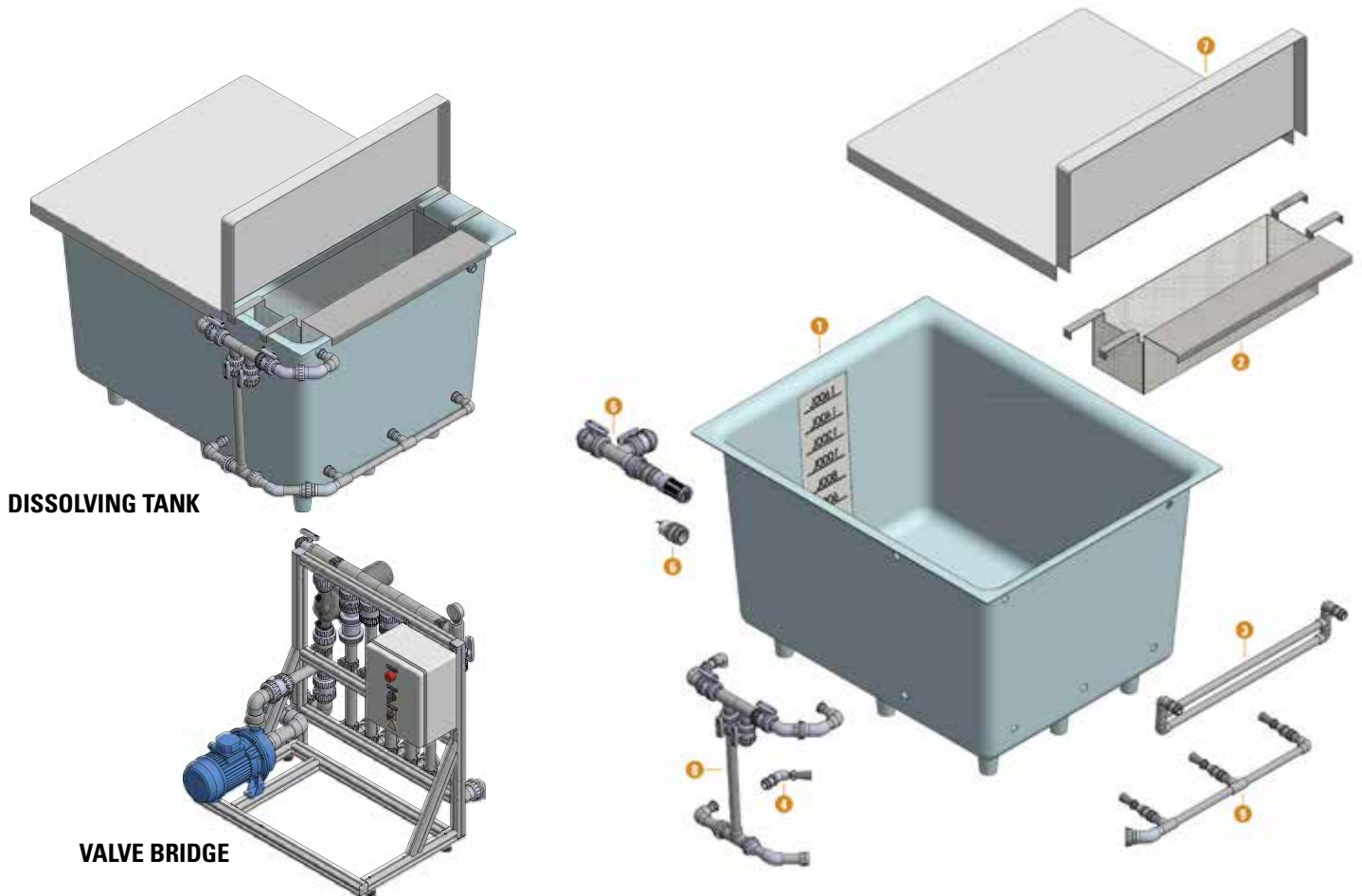
NUF RUNOFF RECYCLING



NUF® RUNOFF RECYCLING SYSTEM

Item Number	Model Number	Description	Price Each
70180-000100	31NUF8GPMUS	NUF 8 GPM US	44,126.00
70180-000101	31NUF20GPMUS	NUF 20 GPM US	75,705.00
72300-001410	31VDE63MM2INKIT	TRANS. KIT FOR MIX. VLV. 63 TO 2" GLUE	109.00
72300-001250	31VDEVK21-63	MIXING VALVE VDE VK21-63 24V90SEC 90DEG	4,730.00

NUTRISOLVE



DISSOLVING TANK

VALVE BRIDGE

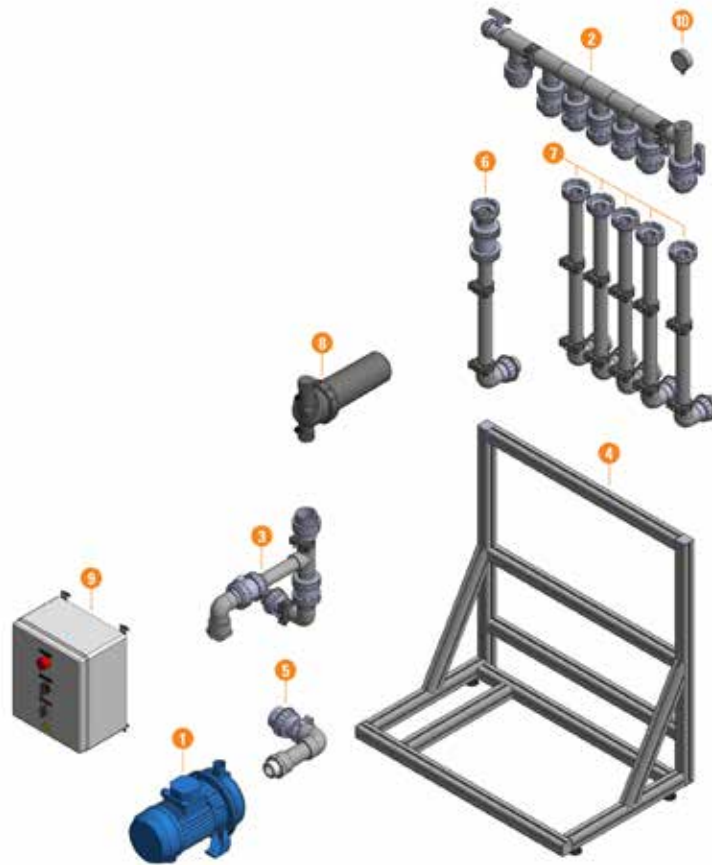
DISSOLVING TANK AND VALVE BRIDGE

Item Number	Model Number	Description	Price Each
33800-000001	31NSOLVEVALBRIDGE	Nutrisolve Valve Bridge 60Hz 1600L ASTM	7,870.00
33800-001052	31NSOLVEDISOLVTANK	NTS Dissolving Tank and Accessories ASTM	10,851.00

NUTRISOLVE DISSOLVING TANK SPARE PARTS

Key	Item Number	Model Number	Description	Price Each
1	77600-010350	31NSPOLYTANK1600L	Poly Tank, 1600 Liter with Legs, Drain and Level Indicator	2,961.00
2	45000-040201	31NSTANKBASKETSS	Stainless Steel basket for 1600 Liter Tank	1,971.00
3	33820-002100	31NSDISSOLVINGFLT	Dissolving Flute	60.00
4	33820-002120	31NSEDUCTORSET	Eductor Set	255.00
5	33220-006600	31NSLOWSWITCHASY	Low-level Switch Assembly	116.00
6	33820-003110	31NSTANKLOUT1600L	Tank Outlet	200.00
7	77600-012300	31NSTANKCOVER1600L	Cover for Poly Tank 1600 Liter with Door	752.00
8	33820-003120	31NSFILLMANIFOLD	Filling Manifold	83.00
9	33820-002110	31NSREAREDUCTMANIF	Rear Eductor Manifold	727.00

NUTRISOLVE



NUTRISOLVE VALVE BRIDGE SPARE PARTS

Key	Item Number	Model Number	Description	Price Each
1	77800-023260	31NSPUMPCDX200-206	Valve Bridge Pump, Single Phase 220V	1,193.00
2	33820-001020	31SVLVMANIFOLD	Manifold, Valve Bridge	225.00
3	33820-003140	31NSPMPOUTLT200-20	Pump Outlet CDX 200/20	174.00
4	45000-040000	31NSFRAMEVLVBRDG	Aluminum Frame for Valve Bridge	730.00
5	33820-003150	31NSPUMPINLET	Pump Inlet CDX 200/20	29.00
6	33820-003170	31NSRESHINLET	Pump Fresh Water Inlet	30.00
7	33820-003160	31NSSOLTANKOUTLET	Solution Tank Outlet	26.00
8	70640-003210	31NSSCRNFILTER1.5	Screen Filter, 1.5", 40 Mesh, Chemical-Resistant	213.00
9	77120-003010	31SSW1X220X1.5KW	Nutrisolve Switchboard 1 x 200 v 1.5 Kw	2,309.00
10	77540-003350	31NSPRESSGAUGE	Nutrisolve Pressure Gauge 250 glz 8 bar 1/4 bsp	23.00



NETAFIM USA
5470 E. HOME AVE.
FRESNO, CA 93727
CS 888 638 2346
WWW.NETAFIMUSA.COM