

FERTILIZER METERS

LIGHT-WEIGHT AND CORROSION RESISTANT METERS DELIVER A HIGH LEVEL OF ACCURACY



POLYPROPYLENE (PLASTIC) BODY



PVC BODY

PRODUCT ADVANTAGES

- Both meters are light-weight and deliver a high level of accuracy, $\pm 2\%$.
- Only one moving part, the impeller, is in contact with the liquid for minimum wear and the utmost reliability.
- Magnetically driven sealed register is guaranteed not to accumulate moisture or fog.
- Dry contact electrical output driven by a magnetic coupling that activates a reed switch creating a pulsed output for communicating with control and monitoring equipment.
- Corrosion resistant plastic components.
- PVC body is an angle type multi-jet meter. The multi-jet design assures an equally distributed load on the impeller minimizing wear and maintaining accuracy.
- No straight pipe installation requirements.

APPLICATIONS

- Fertilizer control in automated irrigation systems

SPECIFICATIONS - PLASTIC

- Size: 3/4"
- Maximum Working Pressure: 72.5 psi
- Maximum Liquid Temperature: 122° F
- Body Material: Polypropylene
- Connections: Threaded
- Pulse Output: 0.1 or 1.0

SPECIFICATIONS - PVC

- Size: 1"
- Maximum Working Pressure: 145 psi
- Maximum Liquid Temperature: 122° F
- Body Material: PVC
- Connections: Threaded
- Pulse Output: 1.0



PVC FERTILIZER METER TAMPER PROOF SEAL ENSURES UNAUTHORIZED REMOVAL AND/OR TAMPERING OF THE METER REGISTER

INDUSTRY'S LONGEST WARRANTY

We stand behind our meters with an unprecedented warranty - the industry's longest - three (3) years on the metering components (register and metering assembly) and five (5) years on the meter body.

All meters are individually tested, calibrated, and inspected to ensure they meet the highest quality standards and the testing documents are included with each meter.

3 **THREE YEAR WARRANTY**
Metering Components

5 **FIVE YEAR WARRANTY**
Meter Body

FERTILIZER METERS

REED SWITCH REGISTER

METER SIZE	REGISTER TOTALIZER	VOLUME UNIT	PULSE OUTPUT (GALLONS/PULSE)	POINTER 1	POINTER 2	POINTER 3
3/4"	GALLON	GALLON x 10	0.1	x 0.01 GALLON	x 0.1 GALLON	x 1.0 GALLON
3/4"	GALLON	GALLON x 10	1.0	x 0.01 GALLON	x 0.1 GALLON	x 1.0 GALLON
1"	GALLON	GALLON x 100	1.0	x 0.1 GALLON	x 1.0 GALLON	x 10 GALLON

STRAIGHT PIPE INSTALLATION REQUIREMENT O D X O D

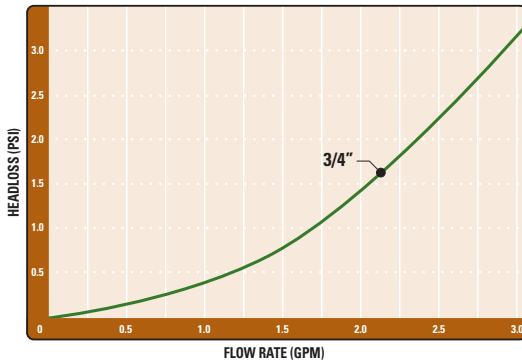
METER SIZE	UPSTREAM DISTANCE	DOWNSTREAM DISTANCE	METER LENGTH	TOTAL REQUIREMENT
3/4"	0"	0"	4 3/8"	4 3/8"
1"	0"	0"	6"	6"

INSTALLATION REQUIREMENT

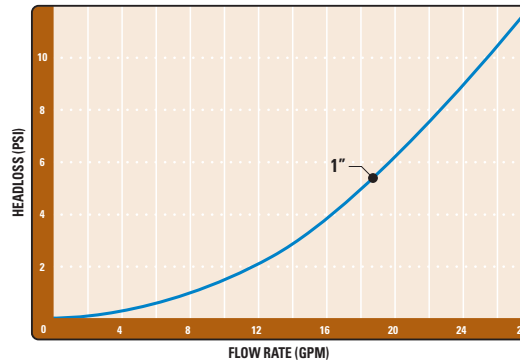
- Install in a horizontal position with dial face up



PLASTIC FERTILIZER METER HEADLOSS CHART



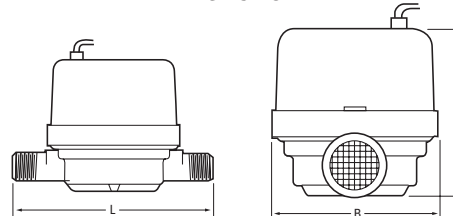
PVC FERTILIZER METER HEADLOSS CHART



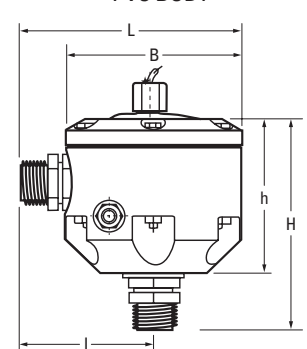
PERFORMANCE DATA

METER SIZE	MINIMUM FLOW RATE	NOMINAL FLOW RATE	MAXIMUM FLOW RATE
3/4"	0.3 GPM	1.7 GPM	2.2 GPM
1"	1.08 GPM	22 GPM	44 GPM

PLASTIC BODY



PVC BODY



DIMENSIONS & WEIGHT

METER SIZE	H HEIGHT	h HEIGHT	L LENGTH	l LENGTH	B WIDTH	WEIGHT (LBS.)
3/4"	3 1/8"	-	4 3/8"	-	3"	.6
1"	6"	4 1/2"	6"	3 1/2"	4 3/4"	1.9

ORDERING INFORMATION

ITEM NUMBER	MODEL NUMBER	METER SIZE	REGISTER TYPE	GALLONS PER PULSE
70261-011000	36FMPO.75	3/4"	REED SWITCH	0.1
70261-011030	36FMPO.751	3/4"	REED SWITCH	1.0
70261-011300	36FMPVE1	1"	REED SWITCH	1.0



NETAFIM USA
5470 E. HOME AVE.
FRESNO, CA 93727
CS 888 638 2346
www.netafimusa.com