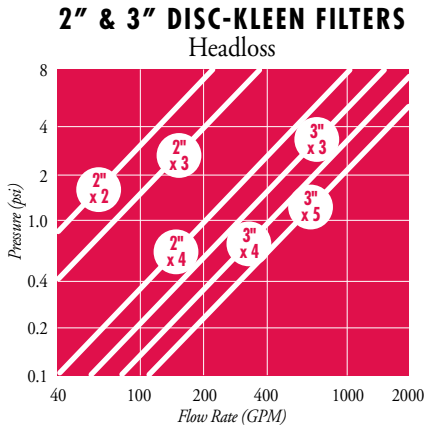




2" & 3" Disc-Kleen Filter Batteries

Fully Automatic Disc Filters For 50-800 GPM Flow Ranges



Product Advantages

- Quick Installation – factory assembled and tested, arriving on a pallet ready for hook-up and immediate operation.
- Less Maintenance – molded spine, chemically resistant and performs reliable backflush. Manual cleaning is practically eliminated.
- Filtration Grade Versatility – filtration discs can be changed quickly and easily from 40 mesh up to 200 mesh.
- Optimizes Irrigation – less backflush time means more uniform application of water in the field.
- System Flexibility – each Disc-Kleen Battery is capable of handling a wide operational flow range.
- Lasts Longer – manufactured from engineered synthetics to resist rust and corrosion from chemicals and weather.
- Standard with installed polypropylene drain manifold.

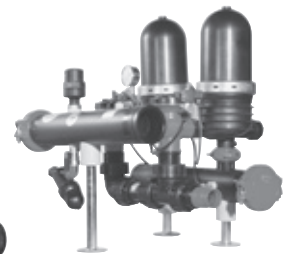
Filtration Process

As dirty water travels through a Disc-Kleen Filter, debris is captured along the walls and in the grooves of the channels in the filter element. During the backflush cycle, the valve changes position, the pressure in the outlet manifold loosens the discs automatically. A specially designed nozzle system inside the filter stack then sprays pressurized water against the loosened discs, spinning them clean quickly and efficiently. After backflushing, the stack of discs automatically compress to resume filtration.

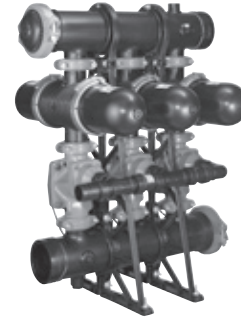
PART NUMBERS

Part Number	Size	No. of Filters	Manifold Size
26ASKPP2A2-XXX	2"	2	4" GR
26ASKPP2A3-XXX	2"	3	4" GR
26ASKPP2A4-XXX	2"	4	4" GR
26ASKPP3A3-XXX	3"	3	6" GR
26ASKPP3A4-XXX	3"	4	6" GR
26ASKPP3A5-XXX	3"	5	6" GR

Substitute XXX for proper mesh size. GR = Grooved.



**2" Disc-Kleen
Filter Battery**



**3" Disc-Kleen
Filter Battery**

Applications

- For surface water containing algae and other organic materials such as reservoirs, canals, rivers and waste water applications.
- For well water containing light sand (<3 ppm) and other contaminants.

Specifications

Includes installed drain manifold
 Inlet and outlet connections: Grooved
 Backflush valve flush port: 2" NIPT
 Maximum operating pressure: 140 psi
 Minimum backflush pressure required:
 40 psi downstream of filter during backflush
 Minimum backflush flow per spine: 35 GPM
 Minimum pH: 5
 Mesh sizes and color: 40 - Blue
 80 - Yellow
 120 - Red
 140 - Black
 200 - Brown
 280 - Green

Materials

Manifold: Polypropylene
 Filter Body: Glass Reinforced Polyamide
 Spine: Polypropylene
 O-Rings and Seals: EPDM



NETAFIM USA
 5470 E. Home Ave. • Fresno, CA 93727
 888.638.2346 • 559.453.6800
 FAX 800.695.4753
www.netafimusa.com

2" & 3" Disc-Kleen Filter Batteries Technical Information

2" x 2 FILTERS

WATER SOURCE MAXIMUM FLOW RATE (GPM)

Mesh size	80	120	140	200
Good	180	160	145	120
Average	160	150	130	90
Poor	130	120	90	65
Very Poor	80	70	60	40

2" x 3 FILTERS

WATER SOURCE MAXIMUM FLOW RATE (GPM)

Mesh size	80	120	140	200
Good	270	240	220	180
Average	240	225	195	135
Poor	195	180	135	95
Very Poor	120	105	90	60

2" x 4 FILTERS

WATER SOURCE MAXIMUM FLOW RATE (GPM)

Mesh size	80	120	140	200
Good	360	320	290	240
Average	320	300	260	180
Poor	260	240	180	130
Very Poor	160	140	120	80

3" x 3 FILTERS

WATER SOURCE MAXIMUM FLOW RATE (GPM)

Mesh size	80	120	140	200
Good	540	480	435	340
Average	480	450	390	270
Poor	380	340	270	180
Very Poor	240	210	180	120

3" x 4 FILTERS

WATER SOURCE MAXIMUM FLOW RATE (GPM)

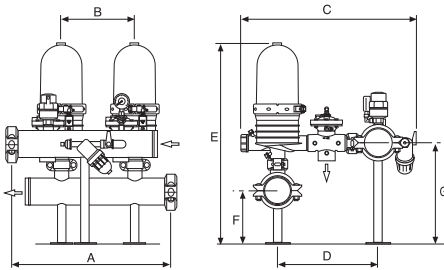
Mesh size	80	120	140	200
Good	720	640	580	480
Average	640	600	500	360
Poor	500	450	340	260
Very Poor	320	280	240	160

3" x 5 FILTERS

WATER SOURCE MAXIMUM FLOW RATE (GPM)

Mesh size	80	120	140	200
Good	800	800	725	600
Average	800	750	600	450
Poor	650	525	400	300
Very Poor	400	350	300	200

IMPORTANT NOTE: We have categorized water quality as a guideline for filtration requirements. Be aware all water quality categories shown above are general. Your water quality may vary. If your water contains more than two parts per million of sand, a sand separator is recommended. If in doubt, consult an authorized Netafim USA dealer.

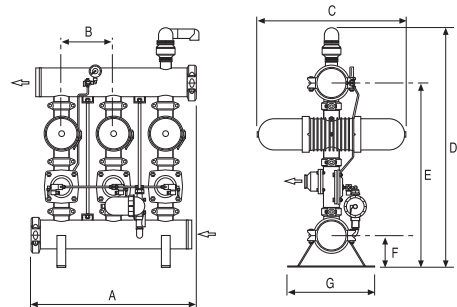


2" DISC-KLEEN FILTER BATTERY DIMENSIONS

	A	B	C	D	E	F	G	Weight	Amount of Backflush Water
2 FILTERS	27 3/4"	11 13/16"	25 7/8"	16 5/16"	30 29/32"	7 9/32"	14 3/4"	174 lbs	18 gallons
3 FILTERS	39 9/16"	11 13/16"	26 1/32"	16 5/16"	30 29/32"	7 9/32"	14 3/4"	220 lbs	27 gallons
4 FILTERS	51 3/8"	11 13/16"	26 1/32"	16 5/16"	30 29/32"	7 9/32"	14 3/4"	266 lbs	36 gallons

3" DISC-KLEEN FILTER BATTERY DIMENSIONS

	A	B	C	D	E	F	G	Weight	Amount of Backflush Water
3 FILTERS	37 1/4"	9 3/4"	34 1/16"	50 3/4"	41 1/4"	7 1/4"	22"	352 lbs	54 gallons
4 FILTERS	47 1/4"	9 3/4"	34 1/16"	50 3/4"	41 1/4"	7 1/4"	22"	407 lbs	72 gallons
5 FILTERS	59 1/16"	9 3/4"	34 1/16"	50 3/4"	41 1/4"	7 1/4"	22"	467 lbs	90 gallons



Netafim USA - Delivering Total System Solutions for Agriculture

- Dripplines • Sprinklers • Filters • Valves • Air Vents • Flow Meters • Crop Management Technologies



For more information call your Authorized Netafim USA Distributor or call Netafim USA Customer Service at (888) 638-2346.