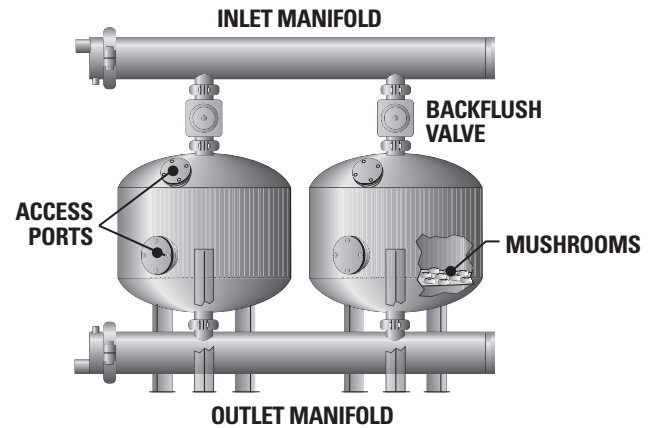


# EPOXY COATED STEEL MEDIA FILTERS

**EFFICIENT, DURABLE AND DEPENDABLE SAND MEDIA FILTRATION**



## PRODUCT ADVANTAGES

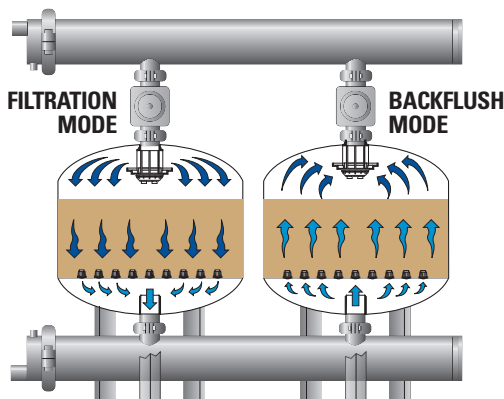
- Simplistic design with few moving parts prevents sticking and sleeving.
- Double chambered filters allow for efficient filtration and backflush uniformity.
- Each mushroom produces equal pressure during backflushing cleaning the entire sand media bed.
- Multiple mushrooms provide four times more open flow area ensuring uniform water collection and backflush.
- Rust and maintenance free system with large top and bottom access ports for adding or removing sand.

## APPLICATIONS

- Excellent for high pressure applications
- Primary filter for water from open reservoirs and recycled water
- Filtration of water contaminated with algae and other organic materials

## SPECIFICATIONS

- Maximum Operating Pressure: 120 psi
- Minimum Backflush Pressure Required: 30 psi downstream of filter during backflush
- Backflushing Flow Rate:
  - 16" Filter Battery - 25 GPM
  - 20" Filter Battery - 35 GPM
  - 24" Filter Battery - 60 GPM
  - 30" Filter Battery - 85 GPM
  - 36" Filter Battery - 100 GPM
  - 48" Filter Battery - 210 GPM



## DESCRIPTION OF OPERATION

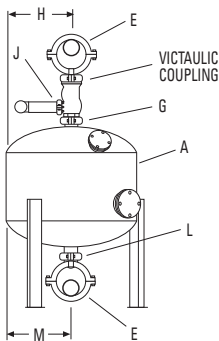
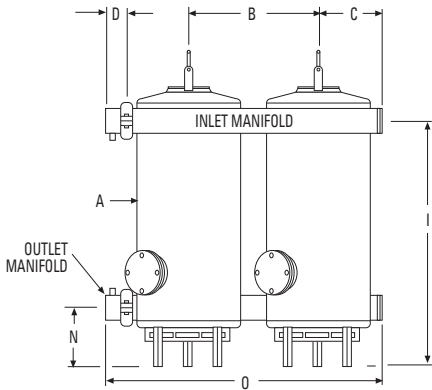
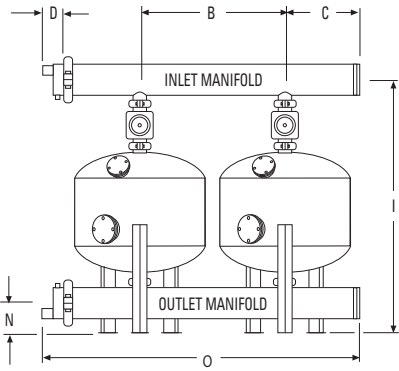
Mushrooms effectively cover the bottom of the sand media bed. During backflush, water is forced in reverse through every mushroom with equal pressure, fluidizing and efficiently cleaning the entire sand media bed. When backflushing is complete, unfiltered water is cleaned as it through a new filter every time.

## SPECIFICATIONS

TANK SIZE	FILTRATION AREA	MEDIA REQUIRED	TANK WEIGHT
16"	1.40 SQ. FT.	170 LBS.	105 LBS.
20"	2.15 SQ. FT.	250 LBS.	140 LBS.
24"	3.14 SQ. FT.	360 LBS.	200 LBS.
30"	4.90 SQ. FT.	500 LBS.	300 LBS.
36"	7.00 SQ. FT.	800 LBS.	440 LBS.
48"	12.50 SQ. FT.	1,200 LBS.	730 LBS.

MEDIA REQUIRED refers to Crushed Silica Sand

# EPOXY COATED STEEL MEDIA FILTERS



## TWO TANK SYSTEM SPECIFICATIONS

KEY	DESCRIPTION	16"	20"	24"	30"	36"	48"
A	TANK DIAMETER	16"	20"	24"	30"	36"	48"
B	DISTANCE BETWEEN TANKS	24"	24"	32"	40"	40"	52"
C	DISTANCE TO MANIFOLD END	12"	12"	16"	20"	20"	26"
D	END CAP LENGTH	4"	4"	4"	4"	4"	4"
E	INLET/OUTLET MANIFOLD	4"	4"	4"	4"	6"	8"
G	INLET PORT FITTING	2" FPT	2" FPT	2" FPT	3" VIC	3" VIC	4" VIC
H	INLET MANIFOLD LOCATION	24"	26"	28"	14.80"	17.68"	23.62"
I	INLET MANIFOLD HEIGHT	29"	31"	37.25"	65.10"	68.25"	74.87"
J	BACKFLUSH PORT FITTING	2" FPT	2" FPT	2" FPT	3"	2" FPT	4" VIC
L	OUTLET PORT SIZE	2" VIC	2" VIC	2" VIC	3" VIC	3" VIC	4" VIC
M	OUTLET MANIFOLD LOCATION	14"	16"	18"	14.80"	18"	24"
N	OUTLET MANIFOLD HEIGHT	7"	7"	10.25"	9"	9.50"	11"
O	TOTAL LENGTH	52"	52"	68"	68"	84"	108"
P	TOTAL WEIGHT	310 LBS.	380 LBS.	490 LBS.	765 LBS.	1,045 LBS.	1,795 LBS.

## ORDERING - TANK ONLY

ITEM NUMBER	MODEL NUMBER	TANK SIZE
70021-001760	23MF16C	16"
70021-001910	23MF20C	20"
70021-001960	23MF24C	24"
70021-002000	23MF30	30"
70021-002200	23MF36G	36"
70021-002300	23MF48G	48"

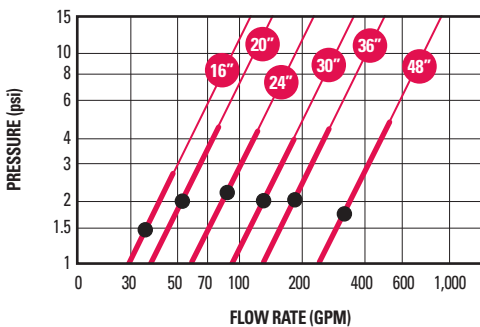
## ORDERING INFORMATION

ITEM NUMBER	MODEL NUMBER	# FILTERS/SIZE
70021-050000	23MFBS1602	2 - 16"
70021-050050	23MFBS2002	2 - 20"
70021-050100	23MFBS2003	3 - 20"
70021-050150	23MFBS2402	2 - 24"
70021-050200	23MFBS2403	3 - 24"
70021-050300	23MFBS3002P	2 - 30"
70021-050350	23MFBS3003P	3 - 30"
70021-050420	23MFBS3602P	2 - 36"
70021-050450	23MFBS3603	3 - 36"
70021-050900	23MFBS4802	2 - 48"
70021-051000	23MFBS4803	3 - 48"
70021-051100	23MFBS4804	4 - 48"
70021-051189	23MFBS4804	4 - 48"
70021-051190	23MFBS4805	5 - 48"
70021-051200	23MFBS4806	6 - 48"
70021-051262	23MFBS4808	8 - 48"

## FLOW RANGE (GPM)

# FILTERS/SIZE	FLOW RANGE (GPM)
2 - 16"	40 - 70
2 - 20"	80 - 120
3 - 20"	120 - 180
2 - 24"	80 - 160
3 - 24"	160 - 240
2 - 30"	185 - 265
3 - 30"	280 - 400
2 - 36"	175 - 350
3 - 36"	350 - 525
2 - 48"	400 - 600
3 - 48"	600 - 900
4 - 48"	800 - 1,200
5 - 48"	1,000 - 1,500
6 - 48"	1,200 - 1,800
8 - 48"	1,600 - 2,400

## HEADLOSS (FLOW VS. PRESSURE)



● AVERAGE POINT - HEADLOSS / FLOW RATE



**NETAFIM USA**  
5470 E. HOME AVE.  
FRESNO, CA 93727  
CS 888 638 2346  
F 800 695 4753  
www.netafimusa.com