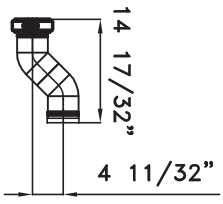


REF. 63 19/32"

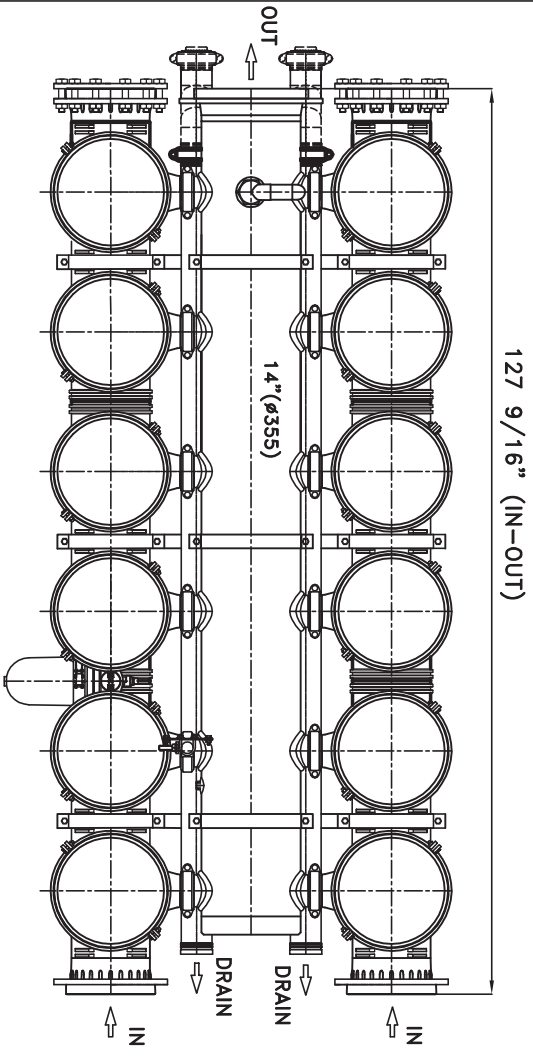
REF. 133 7/16"


* OPTION

Please NOTE -
Whenever Outlet manifold flanges is 12" and above -
In the event of -
Switching the standard Outlet of the drain manifold (180°) -
The above part is a must!



Cat. No:2253 0630



| | | | | | |
|--|------|---|---|--------------------------------|---|
| | | THIS DRAWING CANCEL DARWING FROM 06.02.06 | | | |
| MODIFIC. | DATE | DESCRIPTION | | | SIGN. |
|  CS 888 638 2346 www.netafimusa.com | | PROJECT | 12*4" S.K. "GALAXY" FILTERS PLASTIC BATTERY | | PAGE <u>1</u> OF <u>6</u> |
| | | TITLE | ASSEMBLY DRAWING | | CATALOGUE No: 4663E1412A2 2254 1231 |
| PATH BATERIES\4INCH\GALAXY | | FILE CODE | NAME | DATE | SIGNATURE |
| PLASLITE\PLASTIC\USA | | 4663E1412A2 | IRINA | 02.07.06 | IRINA |
| | | NAME | DATE | FILE CODE DRAWING OF MANIFOLD: | BACKUP: |
| DRAWN | | NIKOLAY | 02.07.06 | 6673 1412A00009,6120 0388, | DISK-31 |
| CHECKED | | ROY | 02.07.06 | 6673 0406VO DR | DRAWER N: |
| APPROVED | | | | PALET-345 (5201 5848) | 3115 |