

2" & 3" Disc-Kleen Filters



Proven depth filtration technology optimizes irrigation and saves water



APPLICATIONS

- For surface water containing algae and other organic materials such as reservoirs, canals, rivers and wastewater applications
- Residential and multi-family developments
- Commercial landscapes, institutional parks, sports fields
- Golf courses

SPECIFICATIONS

- Backflush valve flush port: 2" MPT
- Maximum operating water pressure: 140 psi
- Minimum backflush pressure required: 40 psi downstream of filter during backflush
- Minimum backflush flow rate:
 - 2" Filter: 35 GPM
 - 3" Filter: 70 GPM
- Minimum allowable pH: 5
- Inlet/outlet: 4" grooved - 2" Disc-Kleen
6" grooved - 3" Disc-Kleen
- Drain manifold: 2" grooved outlet connection

Mesh Sizes and Color

Mesh	Micron	Mesh Color
80	200	Yellow
120	130	Red
140	100	Black

MATERIALS

- Manifold: Polypropylene
- Filter Body: Glass reinforced polyamide
- Discs: Polypropylene
- O-Rings and Seals: EPDM
- Seals: Nitrilo rubber, EPDM

FEATURES & BENEFITS

Proven depth filtration

Filters through the entire depth of the disc ring, not just at the surface (as screen filters do).

Made of non-corrosive materials

Prevents rusting and corrosion from chemicals and weather.

Quick Installation

Factory assembled and tested. Delivered ready for hook-up and immediate operation.

Small footprint

Saves valuable space.

Less backflush time required

Optimizes irrigation scheduling for uniform watering.

Backflush controllers included and available in AC (standard) or DC models

All AC models use 110VAC power.

DC models:

- 2", 2 Unit uses 2-9VDC lithium batteries
- All other sizes use 12VDC power source (not supplied by Netafim USA)

2" & 3" Disc-Kleen Filter

Water Quality Maximum Flow Rate (GPM)

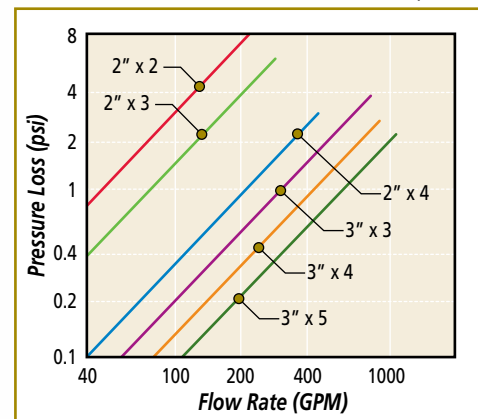
Mesh Color →	Yellow	Red	Black
Mesh Size →	80	120	140
2" x 2 Filter			
Good	180	160	145
Average	160	150	130
Poor	130	120	90
Very Poor	80	70	60
2" x 3 Filter			
Good	270	240	220
Average	240	225	195
Poor	195	180	135
Very Poor	120	105	90
2" x 4 Filter			
Good	360	320	290
Average	320	300	260
Poor	260	240	180
Very Poor	160	140	120
3" x 3 Filter			
Good	540	480	435
Average	480	450	390
Poor	380	340	270
Very Poor	240	210	180
3" x 4 Filter			
Good	720	640	580
Average	640	600	500
Poor	500	450	340
Very Poor	320	280	240
3" x 5 Filter			
Good	800	800	725
Average	800	750	600
Poor	650	525	400
Very Poor	400	350	300

Water Quality

- **Good Water Quality:** Municipal water supply or well water from a clean aquifer with no sand, iron or manganese.
- **Average Water Quality*:** Wells with small amounts of sand (< 2 ppm) or clean surface water which includes lakes, ponds, reservoirs and canals.
- **Poor Water Quality*:** Well water from a poor quality aquifer (> 2 ppm) or surface water in hot climates with increased biological growth and no chemical treatment which includes lakes, ponds, reservoirs and canals.
- **Very Poor Water Quality*:** Well water with greater than 10 ppm of sand including rivers, muddy canals, lakes and ponds with severe run off deposits and raw municipal wastewater.

* Water with > 3 ppm of sand will require a pre-filter to reduce the sand load.

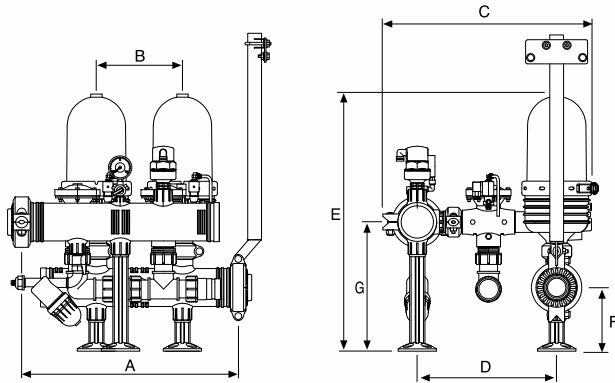
2" & 3" Disc-Kleen Filter Flow Rate vs. Pressure Loss* (psi)



* When the filter is in a clean state.

2" & 3" Disc-Kleen Filter Flow Rate vs. Pressure Loss (psi)

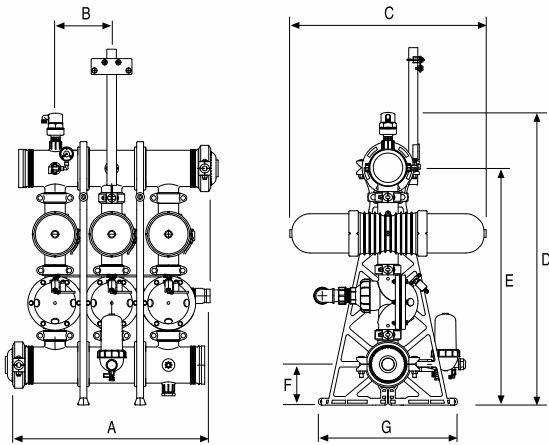
Flow Rate (GPM)	40	80	120	160	200	300	400	500	600	700	800
Pressure Loss (psi)											
2" 2-Unit	0.9	2.5	3.5	5							
2" 3-Unit	0.4	1.2	1.8	3	4	6					
2" 4-Unit			0.5	0.75	1	1.5	2.5				
3" 3-Unit					0.6	1	1.7	2			
3" 4-Unit						0.7	1	1.3	1.6	1.8	
3" 5-Unit							0.6	0.8	1	1.2	1.5



2" Disc-Kleen Filters Dimensions

No. of Filters	A	B	C	D	E	F	G	Weight	Amt. of Backflush
2	20 7/16"	10"	27"	16"	36 1/4"	7 9/32"	14 3/4"	174 lbs.	24 gal.
3	30 9/32"	10"	27"	16"	36 1/4"	7 9/32"	14 3/4"	220 lbs.	36 gal.
4	40 1/8"	10"	27"	16"	36 1/4"	7 9/32"	14 3/4"	266 lbs.	48 gal.

Dimensions do not include controller and control mount.



3" Disc-Kleen Filter Dimensions

No. of Filters	A	B	C	D	E	F	G	Weight	Amt. of Backflush
3	32 9/32"	9 27/32"	34 1/16"	50 13/16"	41 7/32"	7 3/32"	22"	352 lbs.	70 gal.
4	42 1/8"	9 27/32"	34 1/16"	50 13/16"	41 7/32"	7 3/32"	22"	407 lbs.	94 gal.
5	52"	9 27/32"	34 1/16"	50 13/16"	41 7/32"	7 3/32"	22"	467 lbs.	117 gal.

Dimensions do not include controller and control mount.



Backflush controller functions by digital pressure differential gauge and/or time.

2" & 3" Disc-Kleen ORDERING INFORMATION

Disc-Kleen Ordering Information

Number of Filters	Mesh	Mesh Color	Model Number*
2" Disc-Kleen			
2	80	Yellow	DFA202 - 080AC
	120	Red	DFA202 - 120AC
	140	Black	DFA202 - 140AC
3	80	Yellow	DFA203 - 080AC
	120	Red	DFA203 - 120AC
	140	Black	DFA203 - 140AC
4	80	Yellow	DFA204 - 080AC
	120	Red	DFA204 - 120AC
	140	Black	DFA204 - 140AC
3" Disc-Kleen			
3	80	Yellow	DFA303 - 080AC
	120	Red	DFA303 - 120AC
	140	Black	DFA303 - 140AC
4	80	Yellow	DFA304 - 080AC
	120	Red	DFA304 - 120AC
	140	Black	DFA304 - 140AC
5	80	Yellow	DFA305 - 080AC
	120	Red	DFA305 - 120AC
	140	Black	DFA305 - 140AC

2" Disc-Kleen with 4" Grooved Manifold.

3" Disc-Kleen with 6" Grooved Manifold.

DC Models available upon request.

* Filter includes backflush controller (110 Volt/AC power).



NETAFIM USA
 5470 E. Home Ave.
 Fresno, CA 93727
 CS 888 638 2346
 F 800 695 4753
www.netafimusa.com