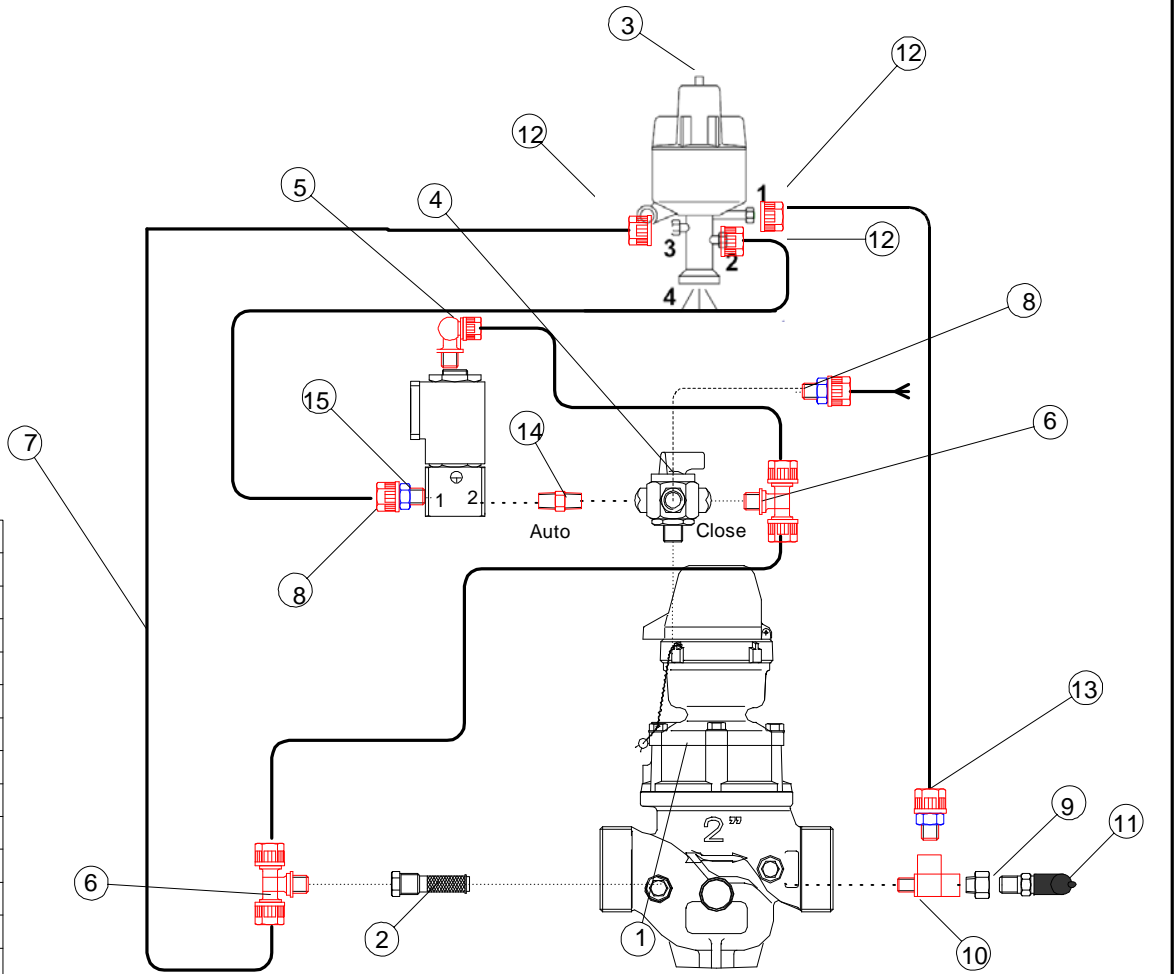


LHMxxTG	LHMxxTG-PRMEL

Variable Part No.	Finished Goods Part No.
-------------------	-------------------------

1	1	LHM1.5,2TG	1.5"2" HYDRO METER FLANGED GLOBE
2	1	61SF25SB	BRASS FINGER FILTER
3	1	36PIL29-117-GRY	BASIC PLASTIC PRESSURE REDUCING PLOT
4	1	62SV21/8M	3-WAY VALVE 1/8" X 1/8" MALE
5	1	55P4694802	PLASIC MALE 90-ELBOW 8MM X 1/8"
6	2	55P4724802	PLASTIC MALE BRANCH-TEE 8M X 1/8"
7	5	15CONT-8-I	PE CONTROL TUBE 8MM
8	2	55P4684802	PLASTIC MALE CONNECTOR 8MM X 1/8"
9	1	55B209P42	BRASS BUSHING 1/4" X 1/8" F
10	1	55B2225T4	BRASS STREET TEE 1/4" X 1/4"
11	1	61APS1/8	SHRADER VALVE
12	3	3624235309	PILOT FITTING X 8MM TUBNG
13	1	55P4684804	PLASTIC MALE CONNECTOR 8MM X 1/4"
14	1	55B216P2	BRASS HEX NIPPLE 1/8"
15	1	36SOLNO-024	SOLENOID 3-WAY 24 VAC N.O.



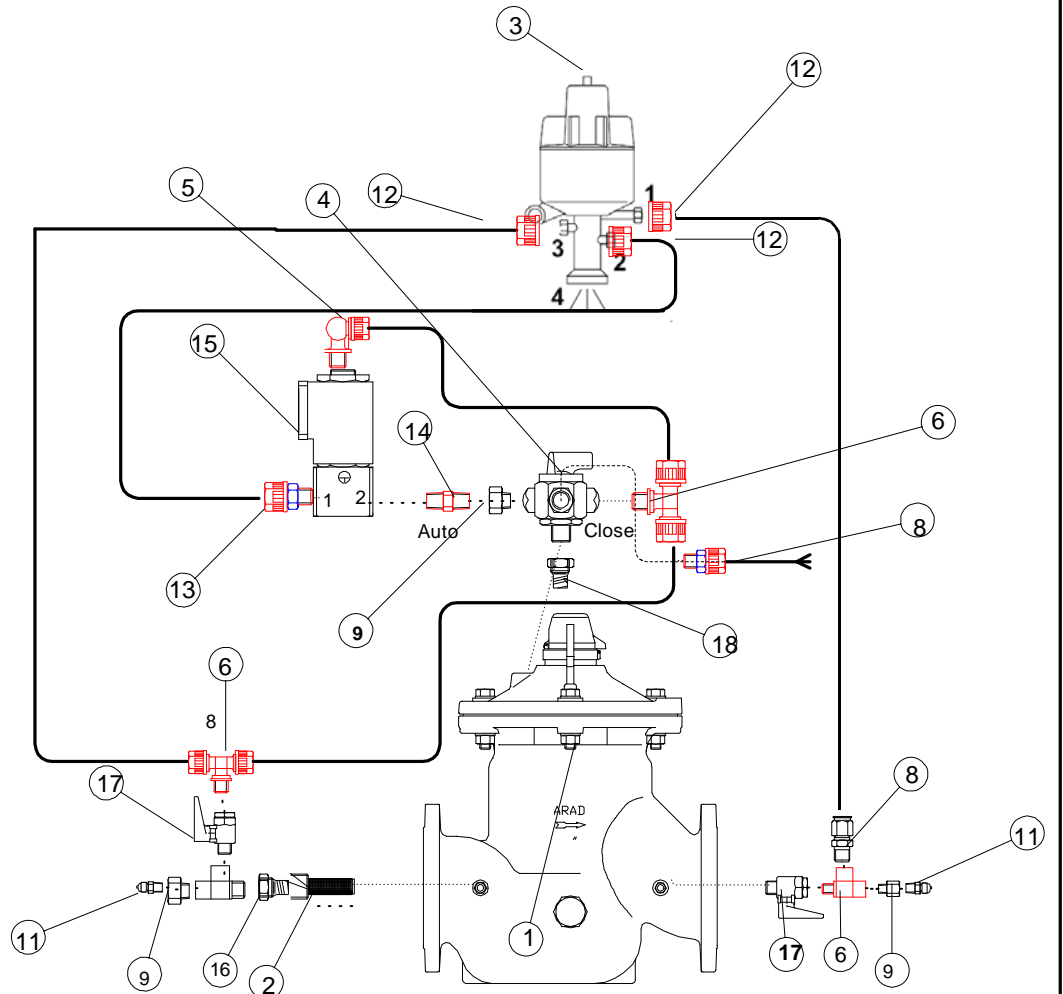
Item	QTY	Component Part No.	Description
------	-----	--------------------	-------------

Scale: 1=1	Material: ASTM 1020	
Units: English [metric]	Engr:	
Quantity: 1	Date: 4/21/08	5470 E Home Ave. Fresno, CA 93727
Surface Finish: N/A		Phone: (559) 253-258 Fax: (559) 454-839
Heat Treatment: N/A		Approved: PC
Tolerances:		1.5", 2" HYDRO METER GLOBE, Pressure Reducing Electric NC 8mm tubing
		Part Number: LHMxxTG-PRMEL-NC rev 0

LHMxxFG	LHMxxFG-PRMEL

Variable Part No.	Finished Goods Part No.
-------------------	-------------------------

1	1	LHM6,8fG	6",8" HYDRO METER FLANGED GLOBE
2	1	61SF25LB	IN-LINE FILTER BRS LONG 1/4"
3	1	36PIL29-117-GRY	BASIC PLASTIC PRESSURE REDUCING PLOT
4	1	62SV41/4M	3-WAY VALVE 1/4" X 1/4" MALE
5	1	55P4694802	PLASIC MALE 90-ELBOW 8MM X 1/8"
6	2	55P4714804	PLASTIC MALE BRANCH-TEE 8M X 1/4"
7	5	15CONT-8-I	PE CONTROL TUBE 8MM
8	2	55P4684804	PLASTIC MALE CONNECTOR 8MM X 1/4"
9	3	55B209P42	BRASS BUSHING 1/4" X 1/8" F
10	2	55B2225T4	BRASS STREET TEE 1/4" X 1/4"
11	2	61APS1/8	SHRADER VALVE
12	3	3624235309	PILOT FITTING X 8MM TUBNG
13	1	55P4684802	PLASTIC MALE CONNECTOR 8MM X 1/8"
14	1	55B216P2	BRASS HEX NIPPLE 1/8"
15	1	36SOLNO-024	SOLENOID 3-WAY 24 VAC N.O.
16	1	55B222P44	BRASS ADAPTER 1/4"F X 1/4"M
17	2	62SBV25	BALL VALVE BRASS 1/4"
18	1	55B222P42	BRASS ADAPTER 1/4"F X 1/8"M



Scale: 1=1	Material: ASTM 1020	
Units: English [metric]	Engr:	
Quantity: 1	Date: 4/21/08	5470 E Home Ave. Fresno, CA 93727
Surface Finish: N/A		Phone: (559) 253-258 Fax: (559) 454-839
Heat Treatment: N/A		Approved: PC
Tolerances:		6", 8" HYDRO METER GLOBE, Pressure Reducing Electric NC 8mm tubing
		Part Number: LHMxxFG-PRMEL-NC rev 0

Item	QTY	Component Part No.	Description
------	-----	--------------------	-------------