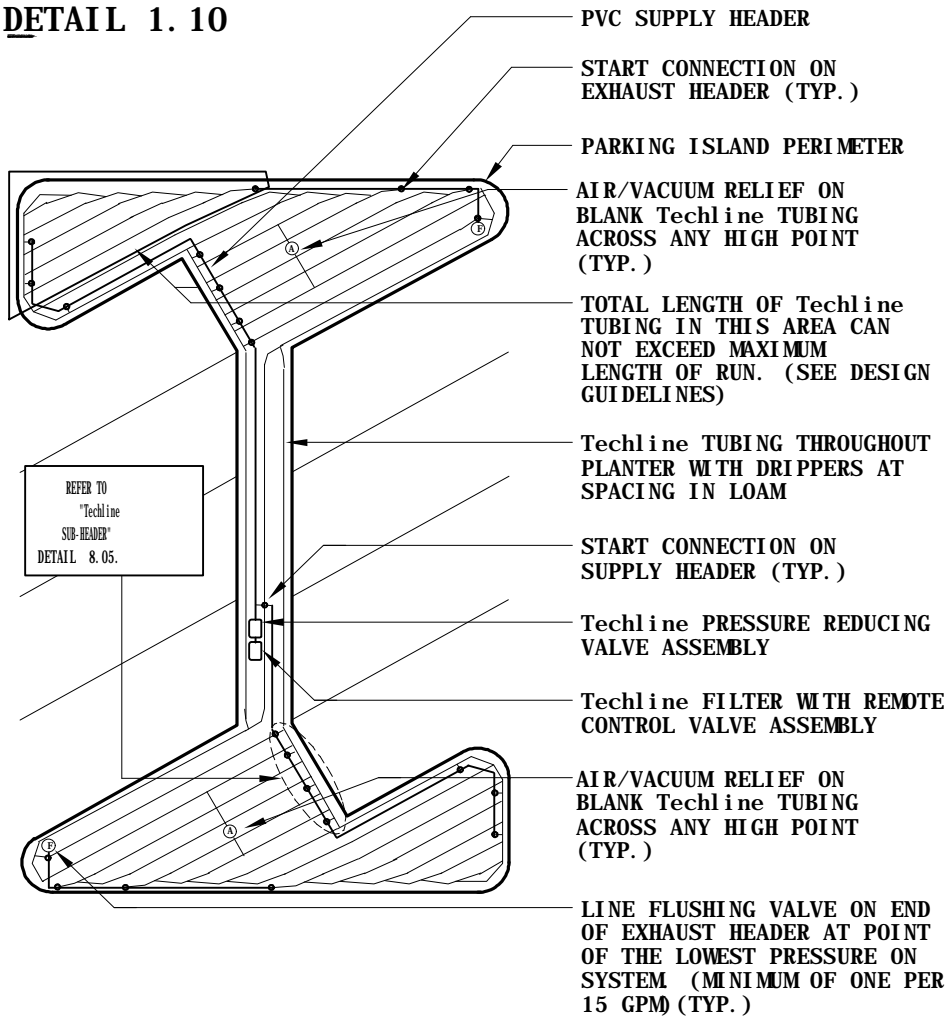
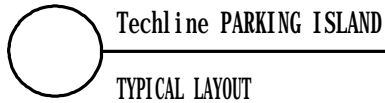


DETAIL 1. 10



REFER TO
"Techline
SUB-HEADER"
DETAIL 8.05.



DETAIL - NO SCALE

**"PARKING LOT ISLAND" Layout
Option 2**