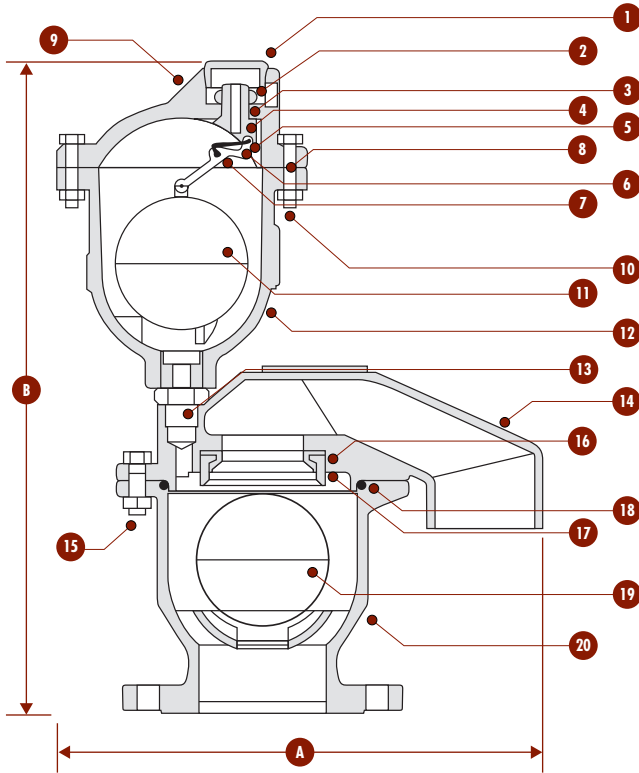


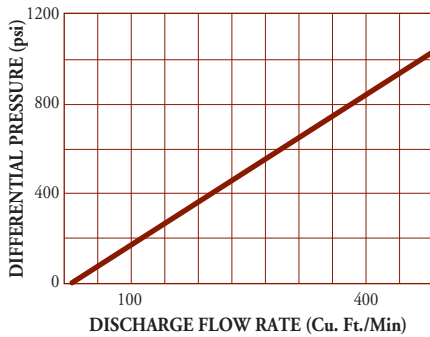
2" to 6" Continuous Acting Air Vent for Gold Mines Specifications



Parts List and Specifications

No.	Part	Material
1.	Plastic Cover	Polypropylene
2.	Nut	Stainless Steel 316
3.	O-Ring	BUNA-N
4.	Nozzle	Acetal
5.	Pin	Stainless Steel 316
6.	Rolling Seal	Rubber E.P.D.M.
7.	Lever Seal	Acetal
8.	O-Ring	BUNA-N
9.	Cover	Sphero Nodular, ASTM A-536 60-40-18
10.	Bolt and Nut	Stainless Steel 316
11.	Float	Stainless Steel 316
12.	Body	Sphero Nodular, ASTM A-536 60-40-18
13.	Adapter	Stainless Steel 316
14.	Cover	Steel DIN-ST37
15.	Bolt and Nut	Stainless Steel 316
16.	Nozzle Seat	Stainless Steel 316
17.	Nozzle Seal	Natural and Synthetic Rubber
18.	O-Ring	BUNA-N
19.	Float	Stainless Steel 316
20.	Body	Cast Iron ASTM A-48 CL.20B Sphero Nodular, ASTM A-536 60-40-18
	Basket (2")	Polypropylene

AUTOMATIC AIR Discharge Chart



DIMENSIONS AND WEIGHTS

Nominal Size	Dimensions (in.)		Weight (lbs.)	Orifice Area (Kin Valve (Sq. In.)*)	Outlet (Female Threaded)
	A	B			
2"	13	17 7/8	66.12	1.23	1 1/2"
3"	13 1/32	19 15/32	66.12	2.8	1 1/2"
4"	15 1/8	20 15/64	85.95	5.14	1 1/2"
6"	22 11/16	28 23/32	5	27.376	1 1/2"

*Automatic Valve Orifice Area: 0.0232 sq. in. for all valves.
Flanges are available in ANSI standards.

Netafim USA - Delivering Total System Solutions for Mining

• Dripperlines • Filters • Valves • Air Vents • Sprinklers • Flow Meters



For more information call Netafim USA
Customer Service at (888) 638-2346.