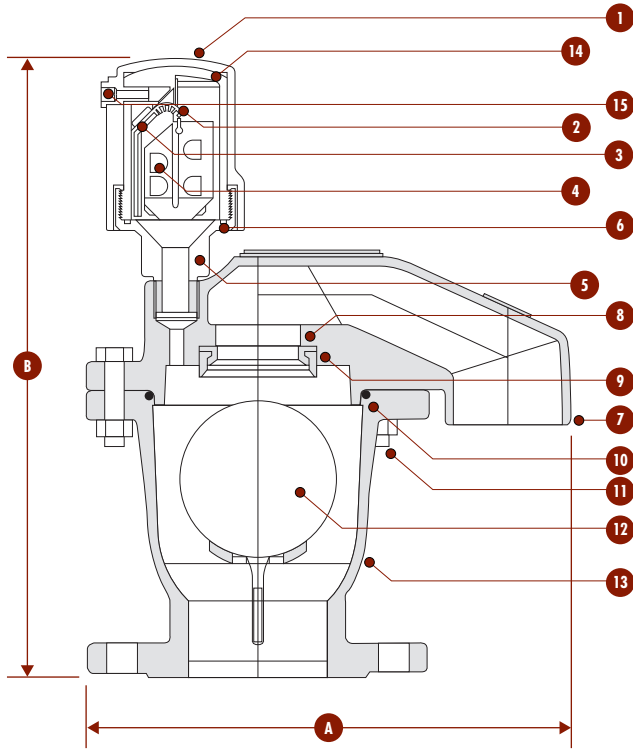


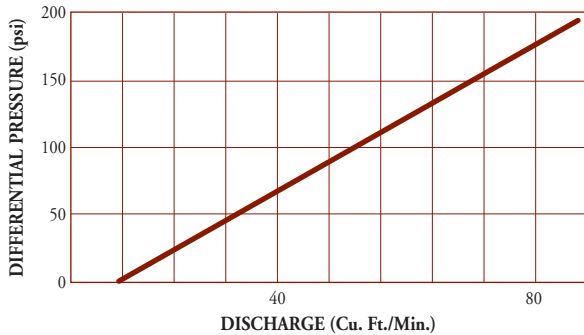
2" to 6" Combination Air Vent for Gold Mines Specifications



Parts List and Specifications

No.	Part	Material
1.	Body (230 psi)	Cast Iron ASTM A-48 CL.20B
2.	Rolling Seal	Rubber E.P.D.M.
3.	Clamping Stem	Reinforced Nylon
4.	Float	Foamed Polypropylene
5.	Base	Stainless Steel 316
6.	O-Ring	BUNA-N
7.	Cover	Cast Iron ASTM A-48 CL.20B
7.	Cover	Sphero Nodular ASTM A-536 60-40-18
8.	Nozzle Seat	Stainless Steel 316
9.	Nozzle Seal	Natural and Synthetic Rubber
10.	O-Ring	BUNA-N
11.	Bolt and Nut	Stainless Steel 316
12.	Float (2" -3", 6")	Stainless Steel 316
13.	Body (230 psi)	Cast Iron ASTM A-48 CL.20B
13.	Body (360 psi)	Sphero Nodular ASTM A-536 60-40-18
14.	Sleeve	Reinforced Nylon
15.	Threaded Outlet Basket in 2"	Stainless Steel 316 Polypropylene

AUTOMATIC AIR Discharge Chart



DIMENSIONS AND WEIGHTS

Nominal Size	Dimensions (in.)		Weight (lbs.)	Orifice Area Kin Valve (Sq. In.*)	Drainage Outlet	
	A	B			Internal	External
2" Threaded	6 13/16	13 13/32	20.7	1.23	1.5 BSB**	-
2" Flanged	6 13/16	13 5/8	26.4	1.23	1.5 BSB**	-
3"	11 9/32	14 1/2	40.5	2.8	2 1/2	2 15/16
4"	13 15/16	15 15/32	58.2	5.14	3 5/32	3 25/32
6"	21 25/32	21 15/16	171.0	27.37	4 29/32	5 17/32

*Automatic Valve Orifice Area: 0.00186 sq. in. for 65D050C2-6, 0.00140 sq. in. for 65D0522-6.

**Threaded.

Netafim USA - Delivering Total System Solutions for Mining

• Dripperlines • Filters • Valves • Air Vents • Sprinklers • Flow Meters



For more information call Netafim USA
Customer Service at (888) 638-2346.