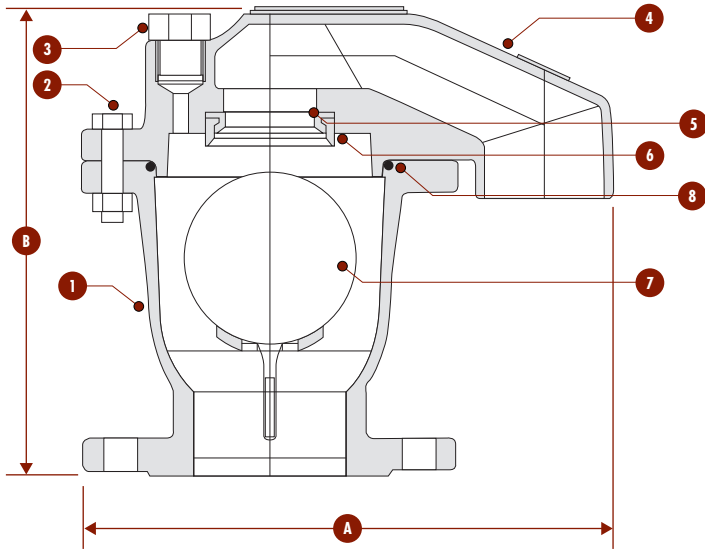


2" to 6" Air Vent for Gold and Copper Mines Specifications



Parts List and Specifications

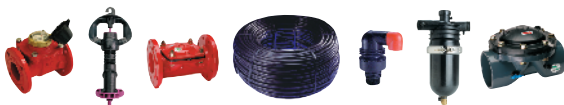
No.	Part	Material
1.	Body (230 psi) Body (360 psi) Body (580 psi)	Cast Iron ASTM A-48 CL.35B Stainless Steel 316 Cast Ductile ASTM A-536 60-40-18
2.	Bolt and Nut	Stainless Steel 316
3.	Plug	Stainless Steel 316
4.	Cover (230 psi) Cover (360 psi) Cover (580 psi)	Cast Iron ASTM A-48 CL.35B Stainless Steel 316 Cast Ductile ASTM A-536 60-40-18
5.	Nozzle Seat	Stainless Steel 316
6.	Nozzle Seal	Natural and Synthetic Rubber
7.	Float (2" - 3", 6" - 8")	Stainless Steel 316
8.	O-Ring Basket in 2"	BUNA-N Polypropylene

DIMENSIONS AND WEIGHTS

Nominal Size	Dimensions (in.)		Weight 230 psi	Weight 360 psi	Weight 580 psi	Orifice Area (Sq. In.*)
	A	B				
2" Threaded	5 7/32	8 15/16	7.49 lbs.	-	-	1.23
2" Flanged	6 5/16	9 5/16	18.95 lbs.	39.7 lbs.	41.9 lbs.	1.23
3"	11 9/32	9 27/32	38.6 lbs.	38.6 lbs.	72.7 lbs.	2.8
4"	13 15/64	10 23/32	59.6 lbs.	59.6 lbs.	105.8 lbs.	5.1
6"	21 3/4	20 7/8	187.3 lbs.	187.3 lbs.	235.8 lbs.	27.4

Netafim USA - Delivering Total System Solutions for Mining

• Dripperlines • Filters • Valves • Air Vents • Sprinklers • Flow Meters



For more information call Netafim USA
Customer Service at (888) 638-2346.