

3/4" MANUAL DISC FILTER WITH SHUT-OFF VALVE

INSTALLATION, OPERATION & MAINTENANCE INSTRUCTIONS

FEATURES

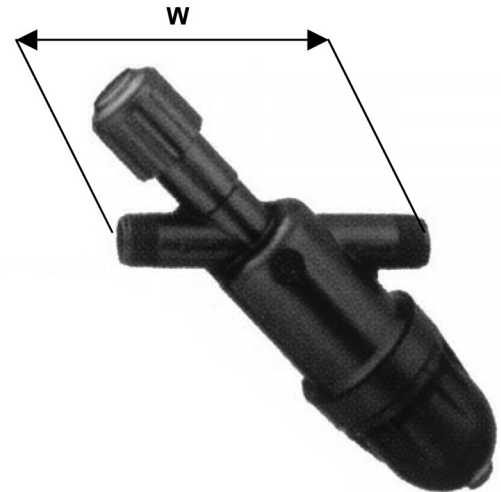
- All plastic filter with two 3/4" male connections.
- Filter element consists of grooved discs, mounted on a spine, forming a cylindrical filter element. The discs are compressed together by a spring located at the bottom of the filter cover.
- Screw-on filter cover.
- Resistant to chemicals and liquid fertilizers.
- Available filtration grades: 040, 080, 120, and 140.

TECHNICAL DATA

| | |
|---------------------------|-------------|
| FLOW RANGE | 1 - 12 GPM |
| MAXIMUM PRESSURE | 140 psi |
| FILTERING SURFACE AREA | 25 sq. in. |
| FILTERING VOLUME | 5.8 cu. in. |
| LENGTH | 7 22/32" |
| WIDTH | 7 22/32" |
| WEIGHT | .9 lbs. |
| DISTANCE BETWEEN ENDS (W) | 6 6/32" |
| INLET/OUTLET DIAMETER | 3/4" Male |
| MAXIMUM TEMPERATURE | 158° F |
| pH | 4-13 |

MESH/MICRON

| MESH | MICRON | DISC COLOR |
|------|--------|------------|
| 040 | 400 | Blue |
| 080 | 200 | Yellow |
| 120 | 130 | Red |
| 140 | 115 | Black |



INSTALLATION

1. Use Teflon tape on filter threads - Do Not Use Pipe Dope.
2. Ensure correct inlet/outlet direction.
3. When connecting filter to pipe, do not overtighten.
4. Ensure correct alignment and no undue stress is exerted on the filter body.

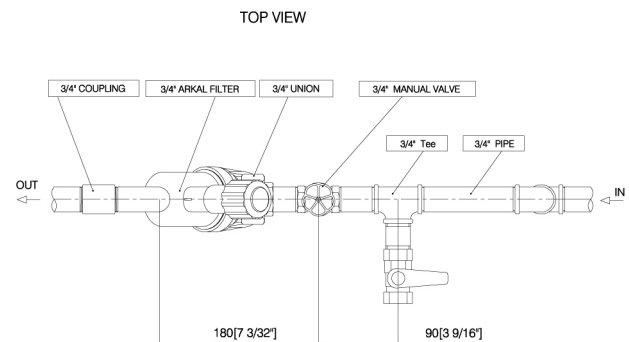
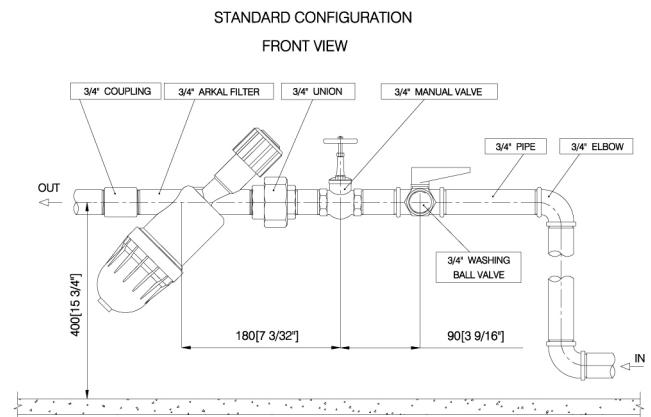
MAINTENANCE AND CLEANING

DISMANTLING

1. Ensure there is no pressure in the pipeline by closing the filter valve - an integral feature of this filter.
2. Unscrew cover at bottom of filter.
3. Pull out entire filter element.

CLEANING

1. Move tightening ring to end of spine and flush discs with pressurized water.
2. If discs are not clean after flushing with water:
 - a. If the discs have an accumulation of algae in the grooves, soak the discs and spine in a small bucket of Clorox bleach for one hour and then reflush with fresh water.
 - b. If the discs have an accumulation of iron in the grooves, soak the discs and spine in a small bucket of 10% Muriatic Acid for one hour and then reflush with fresh water. Muriatic Acid can be purchased at any pool supply store.



MAINTENANCE AND CLEANING

ASSEMBLY

1. Verify that spring is in place inside the filter cover.
2. Insert filter element and make sure it is seated correctly.
3. Replace cover.
4. Tighten filter cover securely. Do not overtighten.

WINTERIZATION

Drain all the water from the filter to avoid cracking due to freezing.

PARTS BREAKDOWN - 3/4" FILTER WITH VALVE

| KEY | MODEL NUMBER | DESCRIPTION | MATERIALS |
|-----|--------------|-----------------------|-----------|
| 1 | SEE #7 | VALVE COVER | PC |
| 2 | SEE #7 | FILTAP RETAINING RING | ACETAL |
| 3 | SEE #7 | VALVE STEM | PP |
| 4 | SEE #7 | TAP O RING | EPDM |
| 5 | SEE #7 | FILTER BODY | PB.T |
| 6 | SEE #7 | COVER O RING | NR |
| 7 | 25AP2301121 | FILTER BODY COMPLETE | - |
| 8 | 25AP530130 | COMPRESSION SPRING | SS |
| 9 | 25AP23013 | FILTER COVER | PB.T |
| 10 | 25AP46-*** | RING SET WITH SPINE | PP |

Substitute *** for proper mesh size.

MATERIALS KEY

| CODE | MATERIAL |
|--------|---------------------------|
| PB.T | POLYBUTYLEN TEREPHTHALATE |
| SS | STAINLESS STEEL |
| PP | POLYPROPYLENE |
| PC | POLYCARBONATE |
| EPDM | ETH. PROPY. RUBBER |
| NR | NITRILE RUBBER |
| ACETAL | ACETAL RUBBER |

