

3" TWIN LITE MANUAL DISC FILTER

INSTALLATION, OPERATION & MAINTENANCE INSTRUCTIONS

FEATURES

- Reinforced polypropylene filter with 3" removable flange connections. Removable flange converts to grooved connections.
- Filter element consists of grooved discs, mounted on a spine, forming a cylindrical filter element.
- Clamp-on plastic filter cover.
- Resistant to chemicals and liquid fertilizers.
- Available filtration grades: 040, 080, 120, 140 and 200.



TECHNICAL DATA	
FLOW RANGE	80 - 220 GPM
MAXIMUM PRESSURE	115 psi
FILTERING SURFACE AREA	294.5 sq. in.
FILTERING VOLUME	174 cu. in.
LENGTH	28 3/4"
WIDTH	9 14/32"
WEIGHT	17 lbs.
DISTANCE BETWEEN ENDS	12 19/32"
INLET/OUTLET DIAMETER	3" Flanged
MAXIMUM TEMPERATURE	140° F
pH	2 - 13

MESH/MICRON		
MESH	MICRON	DISC COLOR
040	400	Blue
080	200	Yellow
120	130	Red
140	115	Black
200	55	Green

INSTALLATION

1. Ensure correct inlet/outlet direction.
2. When connecting filter to pipe, do not overtighten.

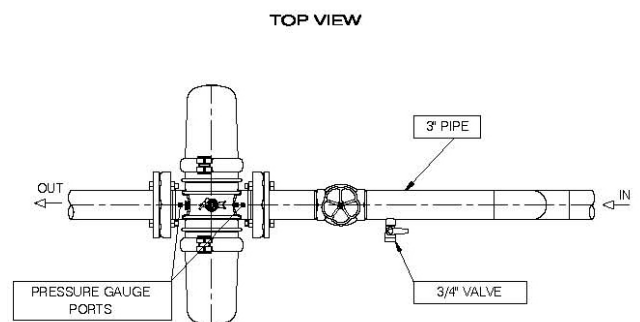
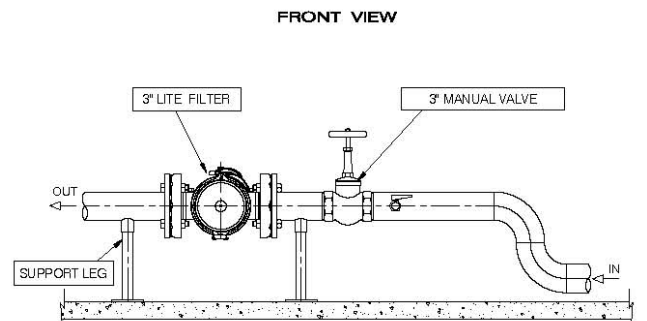
MAINTENANCE AND CLEANING

DISMANTLING

1. Ensure system is turned off and no pressure remains in the pipeline or the filter
2. Release pressure through drainage ball valve.
3. Open clamp and remove filter cover from filter body.
4. Unscrew and remove the entire filter element.
5. Proceed with cleaning.

CLEANING

1. Flush discs with pressurized water.
2. If discs are not clean after flushing with water:
 - a. If the discs have an accumulation of algae in the grooves, soak the discs and spine in a small bucket of Clorox bleach for one hour and then reflush with fresh water.
 - b. If the discs have an accumulation of iron in the grooves, soak the discs and spine in a small bucket of 10% Muriatic Acid for one hour and then reflush with fresh water. Muriatic Acid can be purchased at any pool supply store.



MAINTENANCE AND CLEANING

ASSEMBLY

1. If previously removed, assemble rings on spine and turn butterfly nut clockwise to tighten.
2. Insert filter element and make sure it is seated correctly.
3. Turn clockwise to tighten the filter element.
4. Replace filter cover.
5. Close safety catch on the clamp, place clamp on closing edge and close the safety catch.

WINTERIZATION

Drain all the water from the filter to avoid cracking due to freezing.

PARTS BREAKDOWN - 3" TWIN LITE FILTER			
KEY	MODEL NUMBER	DESCRIPTION	MATERIALS
1	25AP25010202	FILTER COVER	PP
2	25A50032361	O-RING 2-361	EPDM
3	25AP22530235RA	PLASTIC CLAMP	R.PA
4	25AP21261-***	RING SET ONLY	PP
5	25AP50060004	GAUGE PORT SEAL	EPDM
6	25AP25110103	GAUGE PORT NUT	R.PP
7	25AP50540212	1/2" TAP (BALL VALVE)	BRASS
8	25AP22325013	BODY AND FLANGES	-
9	25AP2510325	RING FLANGE	R.PA
10	25AP25070308	CONE FLANGE	POM
11	25AP50052013	3" GASKET	EPDM
12	25AP22530325	FLANGE COMPLETE	-

Substitute *** for proper mesh size.

MATERIALS KEY	
CODE	MATERIAL
POM	ACETAL
PP	POLYPROPYLENE
R.PP	REINFORCED POLYPROPYLENE
R.PA	REINFORCED POLYAMIDE
EPDM	ETH. PROPY. RUBBER

