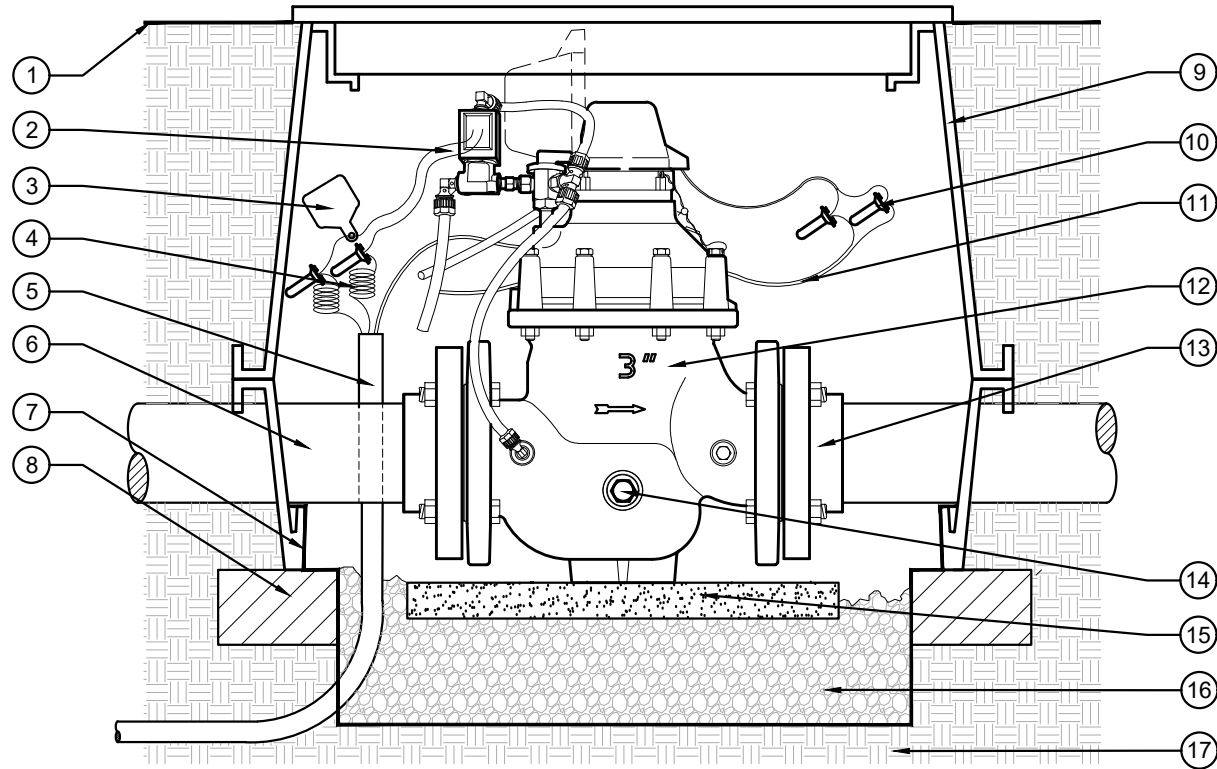


LIMITATIONS:

ALLOWING FOR A WIDE VARIETY OF APPLICATIONS AND CONDITIONS, NETAFIM IRRIGATION INC. IS NOT RESPONSIBLE FOR CORRECTNESS OR APPLICABILITY TO PURPOSE OR COMPATIBILITY TO ANY SITE OR JOB CONDITION. WARRANTY FOR SUITABILITY IS NOT GIVEN OR IMPLIED. MODIFICATIONS FOR SPECIFIC PURPOSES MAY BE NECESSARY AND ARE THE SPECIFIERS' RESPONSIBILITY. THE USE OF THESE DETAILS SHALL NOT BE RESTRICTED AND PUBLICATION THEREOF IS NOT LIMITED TO ANY PURPOSE. REPRODUCTION, PUBLICATION AND REUSE BY ANY METHOD IN WHOLE OR PART IS FULLY AUTHORIZED. OWNERSHIP IS RETAINED BY NETAFIM IRRIGATION INC. VISUAL CONTACT WITH THESE DETAILS SHALL CONSTITUTE PRIMA FACIE EVIDENCE OF THE ACCEPTANCE OF THESE RESTRICTIONS.



### LEGEND

- |  |  |
|--|--|
| 1. FINISH GRADE.   | 10. WATERPROOF WIRE CONNECTORS (3M DBY/DBR).                               |
| 2. MASTER VALVE WIRES FROM SOLENOID (INCLUDED).  | 11. SHIELDED FLOW SENSOR WIRES TO CONTROLLER (PER CONTROLLER SPECS).       |
| 3. VALVE I.D. TAG WITH "MV" PRINTED ON IT.   | 12. NETAFIM HYDROMETER, REFER TO LEGEND FOR MODEL NUMBER.                  |
| 4. PAIR OF WIRES, COLOR CODED DIFFERENT THAN OTHER VALVES. REFER TO CONTROLLER SPECS.                          | 13. FLANGE SCH 80 SPIGOR - SIZE PER VALVE AND MAINLINE PIPING (2 REQUIRED) |
| 5. 1 1/2" SCH 40 CONDUIT FROM CONTROLLER PER SPECS PULL BOXES EVERY 200' AND ON EACH SIDE OF HARDSCAPES AREA.. | 14. DRAINAGE NUT FOR WINTERIZATION (INCLUDED).                             |
| 6. PVC MAINLINE PIPING PER IRRIGATION LEGEND. (PLAN SIZE)  | 15. CONCRETE PAVER SUPPORT BLOCK.  |
| 7. FILTER FABRIC PER SPECS.  | 16. COMPACTED 3/4" WASHED GRAVEL. 12" THICK MIN.                           |
| 8. BRICK SUPPORT. (4 TOTAL/ 1 @ EA CORNER)   | 17. COMPACTED NATIVE SOIL.   |
| 9. JUMBO VALVE BOX WITH EXTENSION(S) PER SPECS. HEAT BRAND "MV-FS" ON LID IN 2" HIGH BLOCK LETTERS.            |  |

### NOTES TO DESIGNER:

1. NO STRAIGHT PIPE UPSTREAM AND DOWNSTREAM OF HYDROMETER IS REQUIRED.
2. RECOMMEND INSTALLING AIR/ VACUUM RELIEF VALVE PRIOR TO METER, EVERY 1500 FEET AND AT END OF RUNS. INSTALL AS INDICATED PER NETAFIM DETAIL D274.
3. THE INSTALLATION OF AN ISOLATION VALVE UPSTREAM OF THE HYDROMETER IS RECOMMENDED.
4. ALL THREADED CONNECTIONS SHALL RECEIVE TEFLON TAPE PER TAPE MANUFACTURERS RECOMMENDATIONS.

00

## HYDROMETER 3" FLG MANUAL ELECTRIC

NOT TO SCALE

NETAFIM

DETAIL - IH30A