

PLASTIC BACKWASH FILTER VALVE – DOUBLE CHAMBER

350 Series; Size 2”*2”

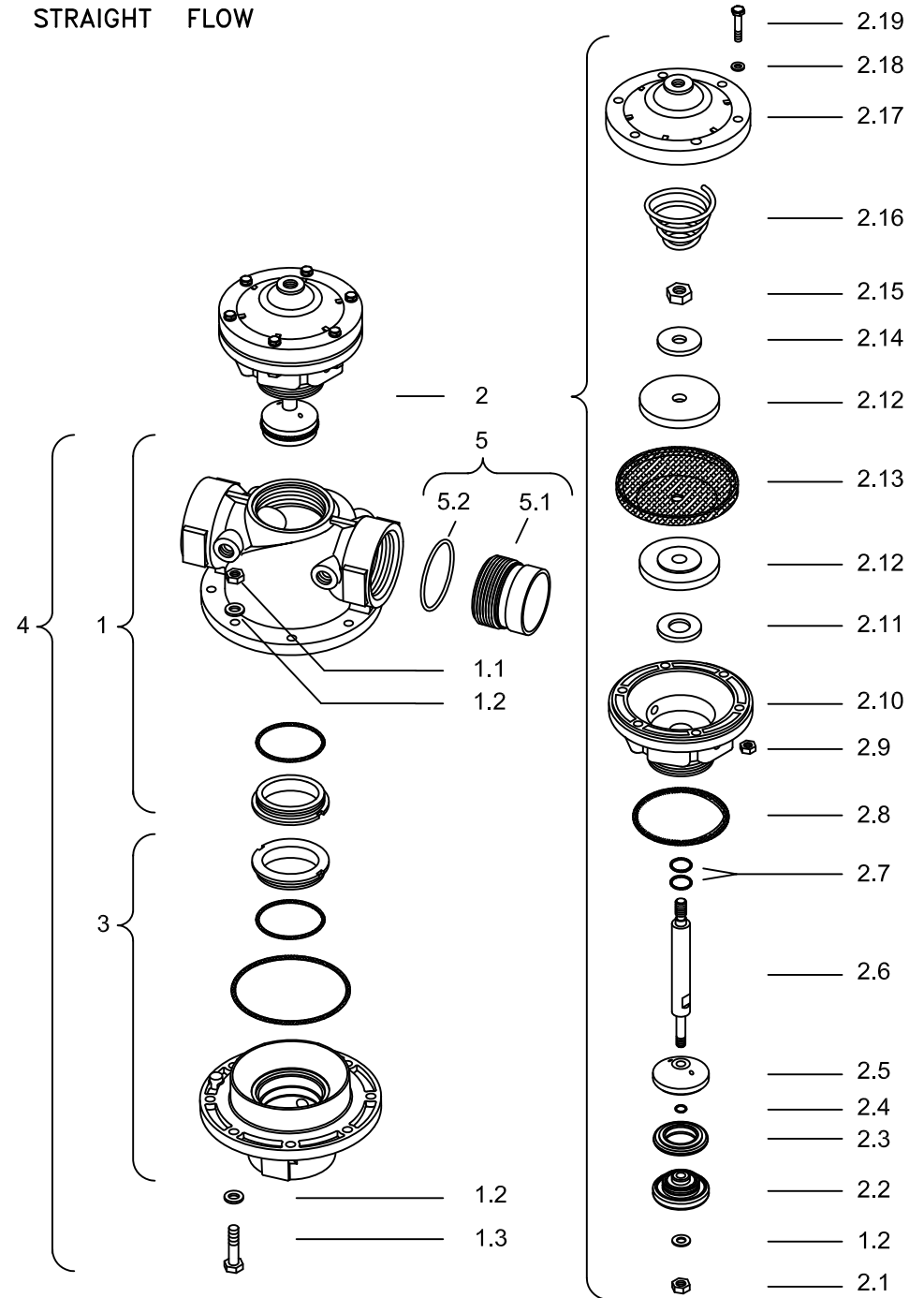
Netafim Cat. No: 71000-012780 STRAIGHT FLOW

PARTS LIST

No:	NETAFIM Cat. No.:	ARKAL Cat. No.:	PARS DESCRIPTION	MATERIALS
1.	71020-006380	5062 0224 01	BODY	R.P.A.
1.1		5062 1237 114	NUT	AISI 316
1.2		5062 1231 05	WASHER	M8 DIN 125A ZNC
1.3		5062 0224 13	BOLT	AISI 316
2.	71020-006355	5062 0224 02	ACTUATOR ASSEMBLY	
2.1		5062 0224 21	NUT	AISI 316
2.2	71020-003305	5062 0224 23	PLUG'S WASHER	ACETAL
2.3	71020-003315	5062 0224 24	SEAL	N.B.R.
2.4	71020-005515	5062 3222 102	"O" RING	N.B.R.
2.5		5062 0224 26	PLUG	ACETAL
2.6		5062 0224 27	SHAFT	AISI 303
2.7	71020-003800	5062 1237 110	"O" RING	N.B.R.
2.8	71020-006050	5062 0022 208	"O" RING	N.B.R.
2.9		5062 0022 207	NUT	AISI 316
2.10		5062 3222 109	SEPARATION PARTITION	R.P.A.
2.11	71020-006072	5062 0022 205	SPRING WASHER	BRASS
2.12		5062 0224 213	DISK	BRASS
2.13	71020-006350	5062 3222 111	DIAPHRAGM	NR-AL52
2.14		5062 0224 215	STOPPER DISK	PVC-U
2.15		5062 3222 113	NUT	AISI 316
2.16	71020-006075	5062 3222 115	SPRING	AISI 302
2.17	71020-003303	5062 3222 116	GREY COVER	R.P.A.
2.18		5062 3222 117	WASHER	AEGP 316
2.19		5062 3222 114	BOLT	ANSI 316
3.		5062 0224 03	ASSEMBLY LOWER ADAPTER	
4.	71020-006366	5062 0224 04	ASSEMBLY BODY	
5.	70040-001030	2253 0508	ADAPTER ASSEMBLY	
5.1		2530 0508	ADAPTER	R.P.A.
5.2	71680-014300	5060 1211 406	"O" RING	NBR

MATERIALS:

- R.P.A. - REINFORCED POLYAMIDE
- M8 DIN 931 ZNC - STEEL
- M8 DIN 125A ZNC - STEEL
- N.B.R. - NITRILE RUBBER
- AISI 316 - STAINLESS STEEL
- AISI 304 - STAINLESS STEEL
- M8 DIN 125A ZNC - STEEL
- M6 DIN 934 ZNC - STEEL
- NBR - NITRIL RUBBER



07.05.06