

LANDSCAPE & TURF

**LOW VOLUME
CONTROL ZONE**

**HIGH FLOW 1½"
WITH DISC FILTER**

SPECIFICATION GUIDE



WITH CONTROL VALVE



WITH NO CONTROL VALVE

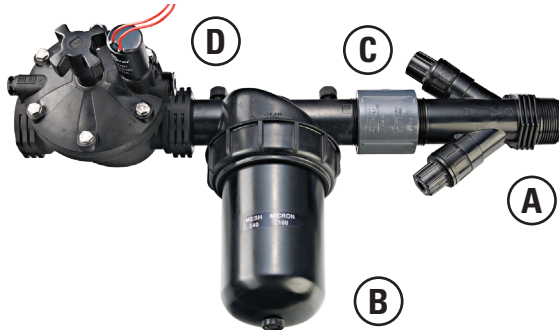
LOW VOLUME CONTROL ZONE - HIGH FLOW 1 1/2", DISC FILTER

HIGH FLOW 1 1/2" WITH CONTROL VALVE

Model Number: LVCZ-150
Item Number: 76601-005340

TECHNICAL SPECIFICATIONS

LENGTH: 21 1/2"
HEIGHT: 10 1/4"
WIDTH: 4 3/4"
WEIGHT: 5.3 lbs.

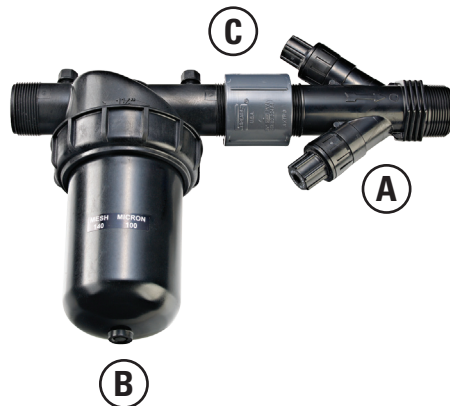


HIGH FLOW 1 1/2" WITHOUT CONTROL VALVE

Model Number: LVCZ-150-NV
Item Number: 76601-005345

TECHNICAL SPECIFICATIONS

LENGTH: 15"
HEIGHT: 10 1/4"
WIDTH: 4 3/4"
WEIGHT: 3.3 lbs.



(A) IN-LINE HIGH FLOW PRESSURE REGULATOR

Model Number: PRV15045V2K
Item Number: 00135-000570

- Flow range: 11 - 35 GPM
- Maximum pressure: 145 psi
- Provides constant outlet pressure

(B) DISC FILTER

Model Number: DF150-140
Item Number: 00135-000110

- Mesh: 140
- Flow range: 10 - 35 GPM
- Filtration area: 49 sq. in.
- Low friction loss
- Non-collapsing multiple disc ring design
- Extra large filtration capacity means less frequent cleaning

(C) PVC BUSHING

- 1 1/2" FPT x 1 1/2" FPT

(D) SERIES 80 CONTROL VALVE

Model Number: LVET1.5GH2
Item Number: 00135-001015

- Flow range: 0.25 - 110 GPM
- Maximum operating pressure: 150 psi

Solenoid

- 24 VAC, 0.220 A inrush current
- 0.095 A holding current

NOTE:

Ensure Control Zone Kit is installed with the Control Valve upstream.