

FERTIONE™ PLUS

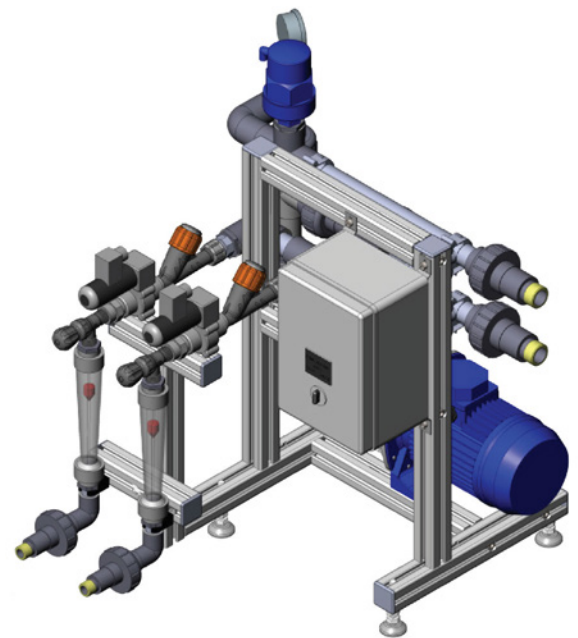
THE PERFECT NUTRIGATION SOLUTION FOR TWO CHANNEL FERTILIZER/ACID DOSING

A PLUG-AND-PLAY TWO CHANNEL FERTILIZER/ACID DOSING UNIT FOR PRECISE NUTRIGATION™

The FertiOne Plus is a fully configurable, simple to operate two channel fertilizer/acid dosing unit. It's the perfect solution for open field sights fitted with electricity where injection of up to two fertilizer solutions is needed. It ensures the highest efficiency and can be connected to any external 24VAC controller.

FEATURES & BENEFITS

- A cost-effective Nutrigation™ system for soil applications with minimal investment.
- Efficient use of water, fertilizers and energy.
- Venturi operation principle - few moving parts.
- Fits into an existing irrigation system and it's easy to install and maintain.
- Precise Nutrigation™ based on high accuracy dosing channels.
- Made from high quality components and PVC NPT Schedule 80 with an aluminum, corrosion-resistant frame and adjustable legs.
- Visual flow meters and adjustable needle valves provide accurate dosing control.
- Connection to an NMC Controller or other 24VAC controllers allows advanced Nutrigation control.
- Easy to install and maintain.



APPLICATIONS

- Open Field Crops and Orchards

TECHNICAL SPECIFICATIONS

- Supports up to 80 psi mainline pressure
- 2 dosing channels up to 158 GPH
- 24VAC electric dosing channels with manual override
- 440VAC three phase pump with onboard motor protection and 24VAC remote start relay
- For other technical specifications, contact Netafim USA

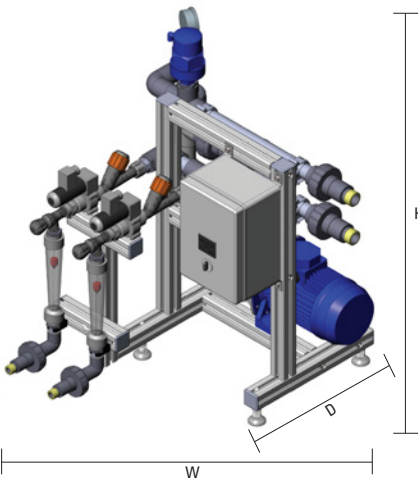
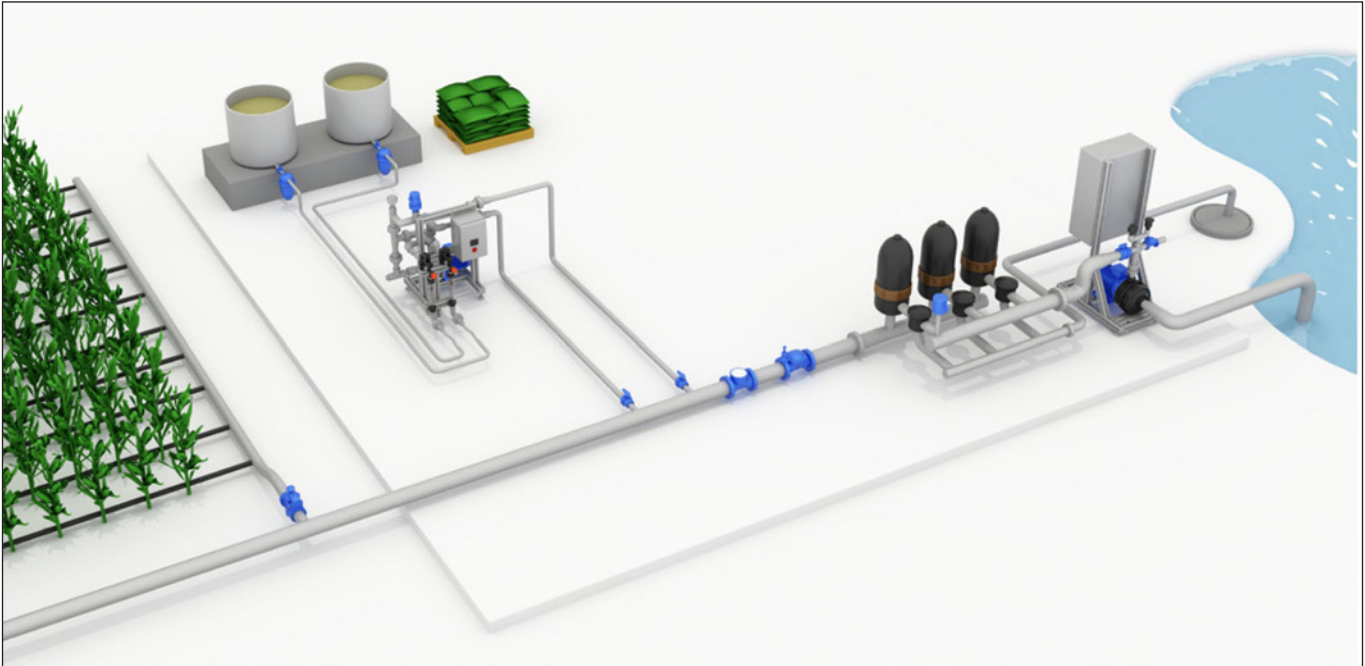
INCLUDED COMPONENTS

- Two Venturi operated dosing channels
- Quick action 24VAC dosing valve
- Pressure gauge
- Stainless steel dosing booster
- Continuous acting air vent
- Check valve
- Dosing booster switchbox with motor protection
- Visual flow meters with adjustable needle valves
- High-quality components and schedule 80 PVC piping
- Aluminum, corrosion-resistant frame with adjustable legs

FERTIONE PLUS

TYPICAL INSTALLATION OVERVIEW

The drawing represents the infrastructure suitable for a FertiOne Plus.



ORDERING INFORMATION

ITEM NUMBER	DESCRIPTION
33250-000600	FERTIONE PLUS LOW PRESSURE: SUITABLE FOR MAINLINES WITH OPERATING PRESSURE BETWEEN 29 AND 58 PSI; INCLUDES 2 FERTILIZER/DILUTED ACID CHANNELS AT 158 GPH, 440VAC THREE PHASE BOOSTER PUMP (MTX5-2 60HZ 0.95 KW 1.28 HP) ELECTRICAL CONTROL BOX WITH MANUAL STARTER, 24VAC MAGNETIC CONTACTOR, MANUAL-OFF-AUTO SELECTOR SWITCH, SCH 80 NPT PVC FITTINGS
33250-000601	FERTIONE PLUS HIGH PRESSURE: SUITABLE FOR MAINLINES WITH OPERATING PRESSURE BETWEEN 58 AND 87 PSI; INCLUDES 2 FERTILIZER/DILUTED ACID CHANNELS AT 158 GPH, 440VAC THREE PHASE BOOSTER PUMP (MTX5-3 60HZ 1.35 KW 1.81 HP) ELECTRICAL CONTROL BOX WITH MANUAL STARTER, 24VAC MAGNETIC CONTACTOR, MANUAL-OFF-AUTO SELECTOR SWITCH, SCH 80 NPT PVC FITTINGS

DIMENSIONS AND WEIGHT

W	D	H	WEIGHT
24"	25.9"	29.8"	59.5 LBS.

POWER CONSUMPTION

MAX. PRESSURE	VOLTAGE	AMPS	KILOWATTS	HORSEPOWER
50 PSI	440VAC 3 PHASE	2.2 - 2.2	0.95	1.28
80 PSI		3.3 - 2.9	1.35	1.81

NOTE: PUMPS CAN BE REWIRED TO 220VAC, 3 PHASE



NETAFIM USA
 5470 E. HOME AVE.
 FRESNO, CA 93727
 CS 888 638 2346
 www.netafimusa.com