

# FILTERS



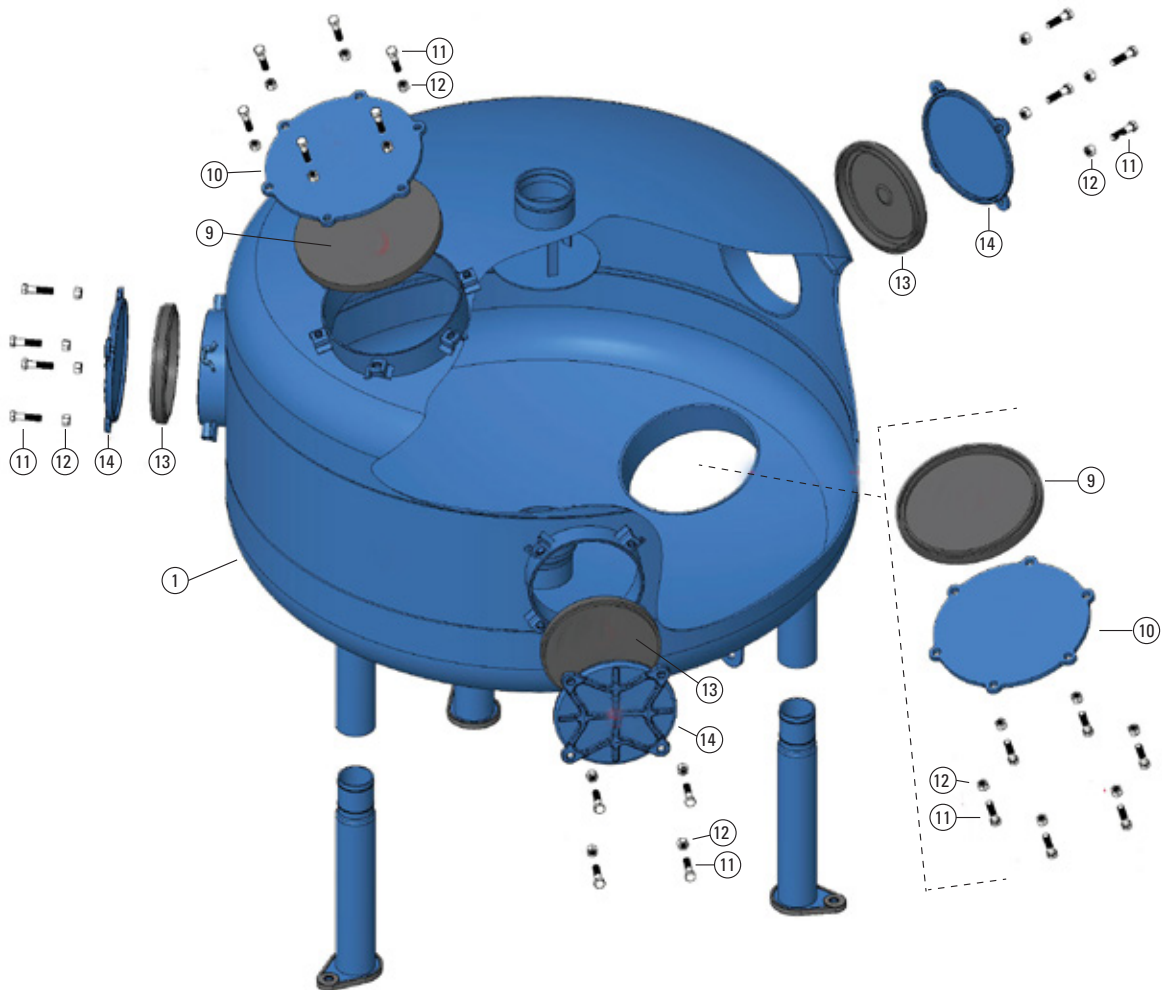
## SANDSTORM™ SINGLE CHAMBER STEEL MEDIA FILTER BATTERIES - Blue Color

Item Number	Model Number	No. of Filters-Size	Flow Range (GPM)	Configuration	Price Each
71950-001620	2SMFSBS3002AAC	2 - 30"	??	Straight	8,316.00
71950-001820	2SMFSBS3602AAC	2 - 36"	??	Straight	10,268.00
71950-002001	2SMFSBS4802AAC	2 - 48"	??	Straight	17,229.00
71950-001630	2SMFSBS3003AAC	3 - 30"	??	Straight	11,941.00
71950-001830	2SMFSBS3603AAC	3 - 36"	??	Straight	14,401.00
71950-002100	2SMFSBS4803AAC	3 - 48"	??	Straight	24,500.00
71950-001640	2SMFSBS3004AAC	4 - 30"	??	Straight	15,121.00
71950-001840	2SMFSBS3604AAC	4 - 36"	??	Straight	18,323.00
71950-002200	2SMFSBS4804AAC	4 - 48"	??	Straight	30,058.00
71950-002210	2SMFSBT4804AAC	4 - 48"	??	Tee	31,099.00
71950-002315	2SMFSBS4805AAC	5 - 48"	??	Straight	36,811.00
71950-002310	2SMFSBT4805AAC	5 - 48"	??	Tee	37,852.00
71950-002400	2SMFSBT4806AAC	6 - 48"	??	Tee	45,106.00
71950-002410	2SMFSBH4806AAC	6 - 48"	??	H	49,339.00
-	2SMFSBT4807AAC	7 - 48"	??	Tee	52,213.00
-	2SMFSBH4807AAC	7 - 48"	??	H	56,446.00
71950-002601	2SMFSBT4808AAC	8 - 48"	??	Tee	57,525.00
71950-002611	2SMFSBH4808AAC	8 - 48"	??	H	62,386.00
-	2SMFSBT4810AAC	10 - 48"	??	Tee	70,340.00
71950-002800	2SMFSBH4810AAC	10 - 48"	??	H	75,201.00

## SANDSTORM™ SINGLE CHAMBER STEEL MEDIA FILTER TANKS - Blue Color

Item Number	Model Number	Tank Size	Sand Required	In/Out	Price Each
71910-001602	2SMFSB30GR	30"	595 lbs.	3" Grooved	1,264.00
71910-001603	2SMFSB36GR	36"	772 lbs.	3" Grooved	1,658.00
71910-001604	2SMFSB48GR	48"	1,488 lbs.	4" Grooved	2,544.00

# FILTERS

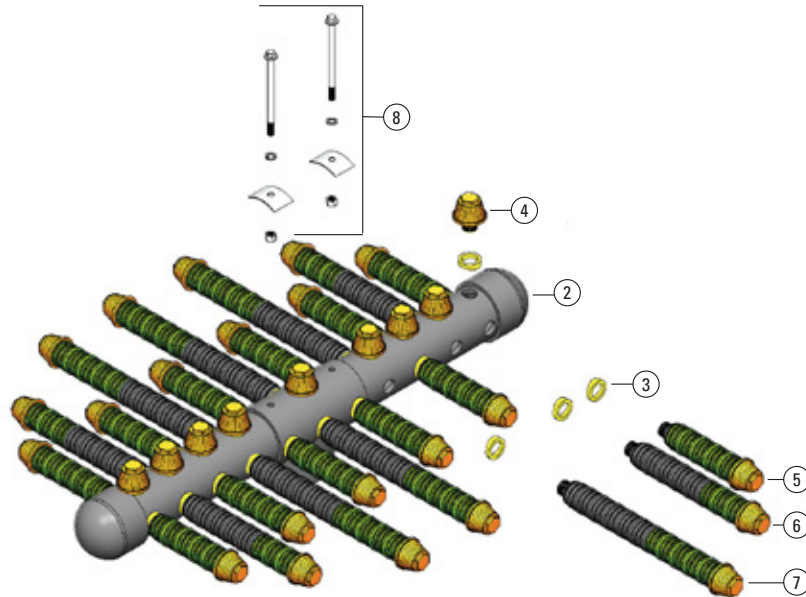


## SANDSTORM SINGLE CHAMBER METAL MEDIA FILTER BATTERY PARTS

Model Numbers 2SMFSB - Blue Color

Key	Item Number	Model Number	Description	Price Each
1	-	-	Filter Body (not available as a spare part)	-
9	71915-000107	2SMCOVERGASKET8	Top and Bottom Service Cover Gasket 8" (30")	21.00
	71915-000121	-	Top and Bottom Service Cover Gasket 10" (36" and 48")	Call for Quote
10	71915-000113	2SMSERCVRPLATE8	Top and Bottom Service Cover 8" (30")	23.00
	71915-000122	-	Top and Bottom Service Cover 10" (36" and 48")	Call for Quote
11	71915-000114	-	Bolt M12X50	Call for Quote
12	71915-000115	-	Nut M12	Call for Quote
13	71915-000107	2SMCOVERGASKET8	Service Cover Gasket 8"	21.00
14	71915-000113	2SMSERCVRPLATE8	Service Cover 8"	23.00

# FILTERS



## SANDSTORM SINGLE CHAMBER METAL MEDIA FILTER BATTERY PARTS

Model Numbers 2SMFSB - Blue Color

Key	Item Number	Model Number	Description	Price Each
2	71915-000124	-	Underdrain Collector (30")	Call for Quote
	71915-000125	-	Underdrain Collector (36")	Call for Quote
	71915-000126	-	Underdrain Collector (48")	Call for Quote
3	71915-000128	-	Plastic Washer	Call for Quote
4	71915-000127	2SMMUSHROOM	Mushroom Diffuser	4.70
5	71915-000131	-	Underdrain Element S (All Sizes)	Call for Quote
6	71915-000132	-	Underdrain Element M (36" and 48")	Call for Quote
7	71915-000133	-	Underdrain Element L (48")	Call for Quote
8	71915-000210	-	Underdrain Screw Set	Call for Quote

Inlet/Outlet Manifold - 1 Outlet



Backflush Manifold - 1 Outlet



Inlet/Outlet Manifold - 2 Outlets



Backflush Manifold - 2 Outlets



## SANDSTORM - MANIFOLDS

Item Number	Model Number	Description	Price Each
71910-001701	2SM6X1X330-36	6" Inlet/Outlet Manifold, 1 outlet, 3" size (30" and 36")	131.00
71910-001710	2SM6X2X330-36	6" Inlet/Outlet Manifold, 2 outlets, 3" size (30" and 36")	255.00
71910-001700	2SM3X1X30-36BF	3" Backflush Manifold, 1 outlet, 2" size (30" and 36")	76.00
71910-001709	2SM3X2X33036BF	3" Backflush Manifold, 2 outlets, 2" size (30" and 36")	156.00
71910-001704	2SM8X1X448	8" Inlet/Outlet Manifold, 1 outlet, 4" size (48")	201.00
71910-001713	2SM8X2X448	8" Inlet/Outlet Manifold, 2 outlets, 4" size (48")	381.00
71910-001703	2SM4X1X348BF	4" Backflush Manifold, 1 outlet, 3" size (48")	108.00
71910-001712	2SM4X2X348BF	4" Backflush Manifold, 2 outlets, 3" size (48")	215.00

# FILTERS

## SANDSTORM - INLET/OUTLET MANIFOLD END CAPS

Item Number	Model Number	Description	Price Each
71910-001800	2SMCAP4/3X1NPT	4" Inlet/Outlet End Cap, Female Threaded 3 x 1"	39.00
71910-001802	2SMCAP6	6" Inlet/Outlet End Cap, Female Threaded 2 x 2" and 1 x 1"	50.00
71910-001804	2SMCAP8	8" Inlet/Outlet End Cap, Female Threaded 2 x 2" and 1 x 1"	55.00
71910-001821	-	10" Inlet/Outlet End Cap, Female Threaded 2 x 2" and 1 x 1"	Call for Quote



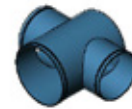
## SANDSTORM - BACKFLUSH MANIFOLD END CAPS

Item Number	Model Number	Description	Price Each
71910-001791	2SMCAP3	3" Backflush End Cap	24.00
71910-001792	2SMCAP4	4" Backflush End Cap	36.00



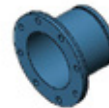
## SANDSTORM - MANIFOLD T FITTINGS

Item Number	Model Number	Description	Price Each
71910-001801	-	8" T Fitting, 2 x 6" Outlets	Call for Quote
71910-001803	-	10" T Fitting, 2 x 6" Outlets	Call for Quote
71910-001805	-	10" T Fitting, 2 x 8" Outlets	Call for Quote
71910-001820	-	14" T Fitting, 2 x 10" Outlets	Call for Quote



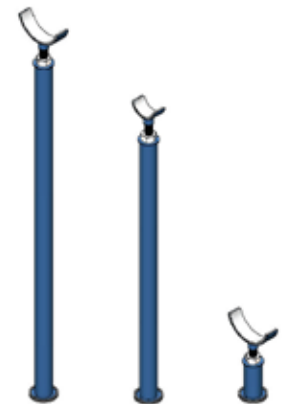
## SANDSTORM - MANIFOLD COUPLING ADAPTERS

Item Number	Model Number	Description	Price Each
71910-002003	2SMFL/VIC3	3" Flange-Groove Coupling	52.00
71910-002006	2SMFL/VIC4	4" Flange-Groove Coupling	60.00
71910-002009	2SMFL/VIC6	6" Flange-Groove Coupling	97.00
71910-002012	2SMFL/VIC8	8" Flange-Groove Coupling	122.00
71910-002015	2SMFL/VIC10	10" Flange-Groove Coupling	252.00



## SANDSTORM - MANIFOLD SUPPORT STANDS

Item Number	Model Number	Description	Price Each
71910-001965	2SMSTAND6-1700	Inlet Manifold Stand 6" x 67" (36")	87.00
71910-001908	2SMSTAND6-150	Outlet Manifold, Straight Systems, Stand 6" x 6" (30")	24.00
71910-001893	2SMSTAND3-1500	Backflush Manifold Stand 3" x 60" (36")	67.00
71910-001965	2SMSTAND6-1700	Inlet Manifold Stand 6" x 67" (36")	87.00
71910-001909	2SMSTAND6-200	Outlet Manifold, Straight Systems, Stand 6" x 8" (36")	25.00
71910-001893	2SMSTAND3-1500	Backflush Manifold Stand 3" x 60" (36")	67.00
71910-001971	2SMSTAND8-1700	Inlet Manifold Stand 8" x 67" (48")	93.00
71910-001970	2SMSTAND8-100	Outlet Manifold, Straight Systems, Stand 8" x 4" (48")	24.00
71910-001952	2SMSTAND4-1400	Backflush Manifold Stand 4" x 55" (48")	63.00



## SANDSTORM - CONTROL KIT

Item Number	Model Number	Description	Price Each
37090-009610	2SMCONTROLKIT	1" Control Kit NPT Connection	250.00

