

OCTAVE® ULTRASONIC WATER METER

**PRECISE MEASUREMENT
OF FLOW RATE**

HIGHLY ACCURATE ULTRASONIC WATER METER WITH NO MOVING PARTS

PRODUCT ADVANTAGES

- Double-beam ultrasonic sensors provide highly accurate flow data and reliable operation.
- No impeller or moving parts in the flow path provides for unrestricted, low pressure loss flows.
- Reduced maintenance of wear-prone parts commonly found in other meters.
- Flow ranges from < 1 GPM to 5,500 GPM.
- Multi-line readout screen provides complete flow and volume information along with:
 - Leak detection
 - Flow direction
 - Output mode
 - Battery level
 - Alarms and errors
 - Active communication mode
- Vacuum sealed and tamper proof IP68 register provides durability and long-term performance.
- Lithium batteries provide a 10 year life expectancy.
- Each meter has a unique, unalterable bar-coded serial number for identification.
- Standard registers are programmed to log and display both forward and reverse flow. Physically reversing the meter will not decrease the forward flow totalizer.
- Each meter ships with a certificate verifying flow accuracy with a $\pm 1.5\%$ accuracy for nominal flow rates.



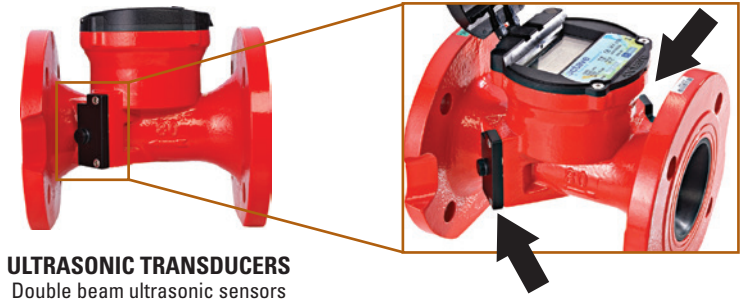
SPECIFICATIONS

- Sizes: 2", 3", 4", 6", 8", 10" and 12"
- Body: Epoxy-coated cast iron with flange inlet and outlet
- Maximum Working pressure: 230 psi
- Fluid Temperature Range: 32° to 122° F (0.1° to 50° C)
- Connection: Flanges ANSI ISO for AWWA connection standard
- Power Source: 2 'D' Size non-replaceable Lithium batteries
- Environmental Protection: IP-68, Ambient operation temperature for display: -13 to 131° F (-25° to 55° C)
- Display Units: Multi-line, programmable 9 digit LCD display
- Output (optional): Programmable single/dual open collector pulse output or externally powered 4-20 mA loop

OCTAVE® WATER METER

HOW OCTAVE WORKS

The Octave's measurement method is based on an ultrasonic, transit-time, dual-beam sensors that determines the length of time it takes an ultrasonic wave to travel the distance between the two sensors located in the meter's body. The sensors function as both sender and receiver, each one alternating these functions so that the ultrasonic wave travels both with and against the direction of the flow. Because the ultrasonic wave travels slower against the flow than with the flow, the time difference of the two waves allows the meter to determine the flow rate.



OCTAVE PROGRAMMING AND DIGITAL DISPLAY

Multi-line digital LCD readout display provides immediate reporting and visual indicators for critical conditions. The 9 digit display is easy to read at a glance.

Each Octave Meter will be pre-programmed before shipment for an instantaneous flow rate in Gallons per Minute (GPM) and the specified user's requirements for:

- Volume Totalizer Units (Gallons or Acre Feet)
- Output Resolution for Optional Pulsed Output

NOTE: Programming software is not available to the end user. Once the meter is programmed by Netafim prior to shipment, it can only be reset by Netafim.

When changing between totalizer options (US Gallons to Acre Feet), the totalizer memory can not be reset so vital data will not be lost.



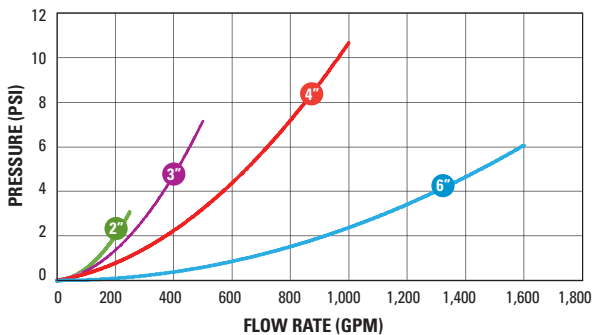
8 178428.00 m³ ft³
GAL
AF

8 102 m³/h
L/s GPM

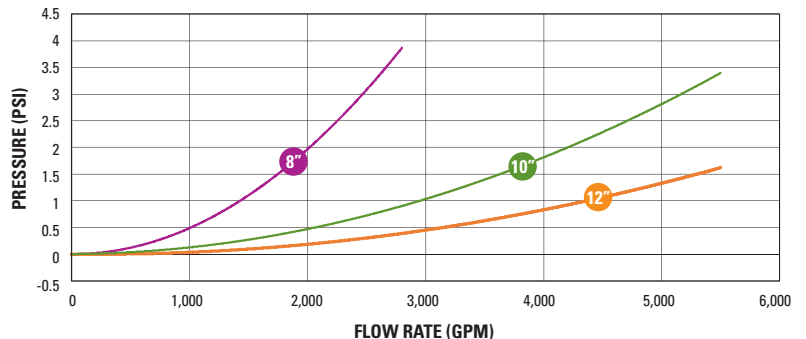
Out 1 4-20mA
Out 2

GAL	VOLUME UNITS	↑ ↓	FLOW DIRECTION
GPM	FLOW RATE UNITS	⚠	ALARM/ERROR
🔊	LEAK DETECTOR	📶	OUTPUT MODE
🔋	BATTERY LEVEL		

HEADLOSS CURVE - 2", 3", 4" AND 6"



HEADLOSS CURVE - 8", 10" AND 12"



PERFORMANCE DATA

SIZE	EXTENDED LOW FLOW @ ± 5% (GPM)	NOMINAL FLOW RANGE @ ± 1.5% (GPM)	SAFE MAX. FLOW RATE (GPM)	HEADLOSS @ MAX. FLOW RATE (PSI)
2"	0.25	1 - 250	250	3.1
3"	0.50	1 - 400	400	6.9
4"	0.75	1 - 650	650	10.25
6"	2.00	3 - 1,500	1,500	6.05
8"	3.50	4.5 - 3,000	3,000	3.95
10"	8.80	14 - 5,500	5,500	1.75
12"	8.80	14 - 5,500	5,500	3.4



OCTAVE'S UNRESTRICTED FLOW PATH

OCTAVE ORDERING GUIDELINES

Standard Features:

- Flow Rate Units: Gallons per Minute (G.P.M.)
- Flow Display: Forward and Reverse Volumes

Options for all Octave Water Meters:

- Pulsed Output Module - Specify the output resolution in U.S. Gallons or Acre Feet
- 4-20 mA Output Module (requires an externally powered loop)

The following Programming Options are available by special order only:

- Volume Units: m³ and ft³
- Flow Rate Units: m³/h and L/s
- Flow Display Totalizer: Forward Flow Only and Net Flow (forward flow minus reverse flow)
- Acre Feet per Pulse Output: 1, 10, 100 and 1,000

ORDERING INFORMATION

360CT

SIZE	REGISTER	OUTPUT
2" = 02	GALLONS = GAL	NO OUTPUT (METER DISPLAY ONLY) = NO
3" = 03		0.1 GALLONS PER PULSE = 0.1
4" = 04		1.0 GALLONS PER PULSE = 1.0
6" = 06		10 GALLONS PER PULSE = 10
8" = 08		100 GALLONS PER PULSE = 100
10" = 10		1000 GALLONS PER PULSE = 1000
12" = 12		ANALOG OUTPUT 420mA = 420
	ACRE FEET = AF	NO OUTPUT (METER DISPLAY ONLY) = NO
		0.0001 AF PER PULSE (OR 32.6 GAL PER PULSE) = 0.0001
		0.001 AF PER PULSE (OR 326 GAL PER PULSE) = 0.001
		0.01 AF PER PULSE (OR 3,259 GAL PER PULSE) = 0.01
		0.1 AF PER PULSE (OR 32,585 GAL PER PULSE) = 0.1
		ANALOG OUTPUT 420mA = 420

ORDERING EXAMPLE - GALLONS:

360CT04GAL0.1

4" Octave Water Meter, Volume in Gallons, Flow Rate in Gallons per Minute, Pulse Output 0.1 Gallons per Pulse

ORDERING EXAMPLE - ACRE FEET:

360CT10AF.0001

10" Octave Water Meter, Volume in Acre Feet, Flow Rate in Gallons per Minute, Pulse Output 0.0001 Acre Feet per Pulse (32.6 Gallons per Pulse)

NOTE: 1 AF = 325,851 Gallons



OCTAVE WITH OPTIONAL PULSED OUTPUT

OCTAVE® WATER METER

INSTALLATION GUIDELINES

The following examples are recommendations for achieving top performance.

- Two (2) diameters of straight pipe are required when installing a 90° elbow before or after the meter. (See Figure 1)
- Two (2) diameters of straight pipe are required when installing the meter upstream or downstream of a valve, tee connection or other source of significant turbulence. (See Figures 2 and 3)
- NOTE:** The installation of the meter upstream of a pump or large valve is not recommended due to potential cavitation issues.
- Five (5) diameters of straight pipe downstream of a pump (before the meter) and Two (2) diameters of straight pipe downstream of the meter are required. (See Figure 4)
- NOTE:** When the meter is downstream of the pump, Netafim recommends additional straight pipe to ensure accurate measurements.
- Meter can be installed horizontally or vertically with the water flowing up. It is not recommended for installation where the direction of flow is below the horizontal plane. (See Figure 5)
- To eliminate air in the pipeline and maintain accuracy, use of and proper placement of Air Vents is required. We recommend a Combination Air/Vacuum Release Air Vent or the Pro Air Vent.
- Recommended Air Vent placement: 3" and 4" meters place air vent 12" to 18" before the meter; 6" and 8" meters place the air vent 18" to 24" before the meter; 10" and 12" meters place the air vent 30" to 36" before the meter.
- Installing a Check Valve downstream of the meter creates back pressure to aid in the meter filling with water.

INSTALLATION EXAMPLES

The following illustrations are meter installation examples with Air Vent placement.

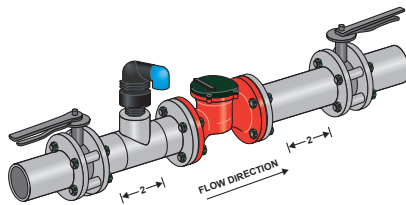
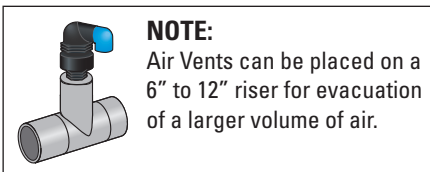


FIGURE 2
(2) PIPE DIAMETERS
BEFORE & AFTER METER

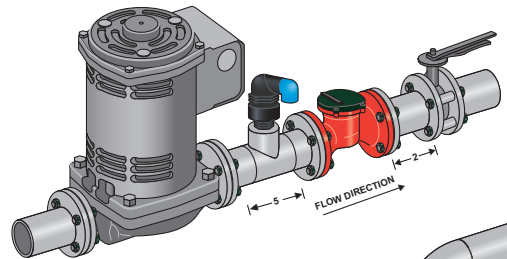


FIGURE 4
(5) PIPE DIAMETERS AFTER
PUMP (BEFORE METER) & (2)
PIPE DIAMETERS AFTER METER

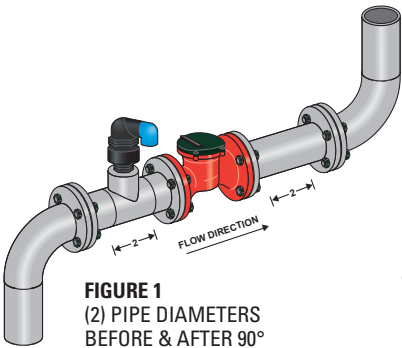


FIGURE 1
(2) PIPE DIAMETERS
BEFORE & AFTER 90°
ELBOWS

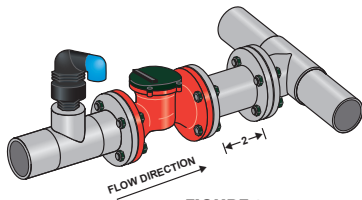


FIGURE 3
(2) PIPE DIAMETERS
BEFORE TEE CONNECTION

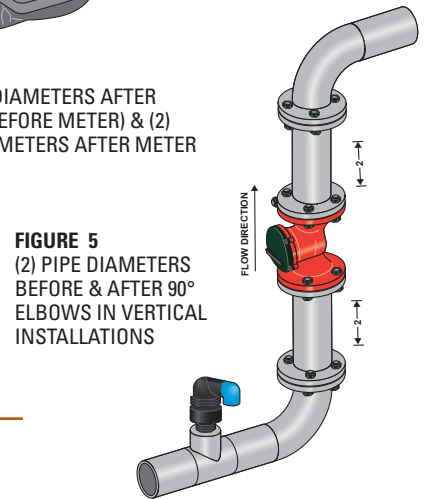
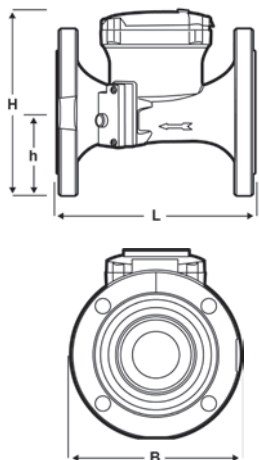


FIGURE 5
(2) PIPE DIAMETERS
BEFORE & AFTER 90°
ELBOWS IN VERTICAL
INSTALLATIONS



DIMENSIONS & WEIGHT

SIZE	LENGTH (L)	WIDTH (B)	HEIGHT (H)	HEIGHT (h)	WEIGHT
2"	7.9"	6.5"	7.5"	1.6"	19.8 LBS.
3"	8.9"	7.9"	8.3"	3.5"	28.7 LBS.
4"	9.8"	8.7"	8.8"	4.1"	33.1 LBS.
6"	11.8"	11.2"	11.1"	5.5"	70.5 LBS.
8"	13.8"	13.4"	13.1"	6.5"	99 LBS.
10"	17.7"	15.9"	15.9"	8.0"	150 LBS.
12"	19.7"	19.2"	19.3"	9.6"	216 LBS.



NETAFIM USA
5470 E. HOME AVE.
FRESNO, CA 93727
CS 888 638 2346
www.netafimusa.com