

# AGRICULTURE PRICE LIST

**EFFECTIVE SEPTEMBER 15, 2022**

Updated April 23, 2024



Precision  
Agriculture



# CATEGORY CODES

| <b>Netafim Pricing Category Codes</b> | <b>Description</b>                                   |
|---------------------------------------|--|
| A                                     | Typhoon & Aries TWD                                  |
| B                                     | DripNet PC TWD                                       |
| C                                     | Uniram HWD   |
| E                                     | Online Drippers                                      |
| F                                     | Streamline TWD                                       |
| I                                     | Fittings   |
| J                                     | Aries HWD  |
| M                                     | Poly Tubing  |
| N                                     | Filters, Sand Media, Valves, Air Vents, Water Meters |
| O                                     | DripNet PC HWD                                       |
| V                                     | FlexNet  |

\*All category codes will be denoted near the item price listing as follows:

(A) (B) (C) (E) (F) (I) (J) (M) (N) (O) (V)

Please Note: We have added a category code (i.e. letter designation) near each product listing in the price list. This letter code identifies the product category. To request your multiplier by category code, please contact your Netafim Sales Representative.

# TABLE OF CONTENTS

|   |                     |
|---|---------------------|
| <a href="#">Category Codes</a>                      | <a href="#">2</a>   |
| <a href="#">Ordering Information</a>                | <a href="#">4</a>   |
| <a href="#">Terms and Conditions</a>                | <a href="#">5</a>   |
| <a href="#">Product Warranty</a>                    | <a href="#">11</a>  |
| <a href="#">Irrigation Consumer Bill of Rights</a>  | <a href="#">14</a>  |
| <a href="#">Thinwall Driplines</a>                  | <a href="#">15</a>  |
| <a href="#">Heavywall Driplines</a>                 | <a href="#">37</a>  |
| <a href="#">Fittings &amp; Connectors</a>           | <a href="#">47</a>  |
| <a href="#">On-Line Drippers</a>                    | <a href="#">57</a>  |
| <a href="#">Pipe &amp; Tubing</a>                   | <a href="#">61</a>  |
| <a href="#">Sprinklers</a>                          | <a href="#">71</a>  |
| <a href="#">Filters</a>                             | <a href="#">81</a>  |
| <a href="#">Valves</a>                              | <a href="#">115</a> |
| <a href="#">Air Vents &amp; Pressure Regulators</a> | <a href="#">133</a> |
| <a href="#">Water Meters</a>                        | <a href="#">139</a> |

# ORDERING INFORMATION

Netafim USA appreciates your business, and we maintain a policy of continued product improvement. For any ordering or pricing questions, contact our Customer Service Representatives at:

**NETAFIM USA CUSTOMER SERVICE**  
**888-638-2346 (888-NETAFIM)      ORDERS FAX 800-695-4753      SUPPORT FAX 866-253-2550**  
**INTERNET ORDERS: [netafimorders@process.esker.net](mailto:netafimorders@process.esker.net)**  
**GENERAL CUSTOMER SERVICE E-MAIL: [us.customerservice@netafim.com](mailto:us.customerservice@netafim.com)**  
**5:00 AM - 5:00 PM PST**  
**PRICES AND SPECIFICATIONS ARE SUBJECT TO CHANGE WITHOUT PRIOR NOTICE.**

## ORDERING GUIDELINES

The Netafim Dealer Portal is the most convenient way to place orders and obtain order status information. The Checkout page of the Netafim Dealer Portal will guide you to enter all required fields. Using the portal provides a greater chance of order accuracy. An accurate order is generally easier and quicker to process.

Use the following guidelines when placing an order by Fax or E-Mail with Netafim USA to ensure all the necessary information is provided.

1. Company Name and Netafim Account Number
2. Name of Person Placing Order and Phone Number
3. Shipping Information  
Name of Company or Individual Job Name or Reference (optional)  
Address (no PO Boxes)      Contact Name and Phone Number (optional for parcels) City, State, Zip Code
4. Purchase Order Number
5. Requested Ship Date  
If the required ship date is not known, provide an approximate date. In the absence of a delivery time set forth in the order confirmation, or subsequently provided by Netafim USA, the delivery date will be within ninety (90) days of the order confirmation. If you have requested a ship date, we will make every effort to target that date and time. If a specific date is given, the order will ship automatically, and you will not receive a call prior to pulling/packing/loading. For truck loads, the driver will call for an appointment. Please let us know if we are required to hold the order until we are notified to ship. Any changes to the original ship date must be communicated to Netafim Customer Service 48 hours prior to shipping. NOTE: Held orders are subject to restrictions and/ or may incur extra fees.
6. Ship Method  
If no preferences are specified, the order will ship best method at Netafim's discretion.
7. Netafim Item or Model Number for Products Needed  
Use the correct item or model number and do not use a number with a different description. Consult the Netafim Dealer Portal or your price list for the appropriate number or call Customer Service for assistance.
8. Specials or Price Quotes  
If any specials or price quotes apply to the order, include this information on the purchase order, or in the appropriate field of the shopping cart of the Netafim Dealer Portal. Special requests can also be added to the order comments section of the Netafim Dealer Portal.
9. Ship Order Complete  
Indicate if the order is to ship complete. If not indicated on the order, ship-complete will be the preferred order fulfillment method, but at Netafim's discretion, partial shipments are allowed.
10. Combining Orders  
If order is to be combined with other orders for shipping, indicate the other order numbers.

## ADDITIONAL GUIDELINES FOR TRUCKLOAD ORDERS

1. Ship to Address or Nearest City  
Is a delivery map required? If yes, map is required 24 hours prior to loading.
2. Provide Requested Delivery Date and Time of Arrival for Delivery Site
3. Provide Contact Name and Phone Number

# TERMS AND CONDITIONS

These Terms and Conditions (“Terms”) shall apply to the sale of all products supplied (“Products”) by Netafim Irrigation Inc. (“Netafim USA”) to a purchaser (the “Buyer”). These Terms shall govern such sale of Products and together with the Freight Terms, the product warranty, and Netafim USA’s written order acknowledgement and/or Netafim USA’s invoice (together, the “Commercial Documents”) shall constitute the entire Agreement (“Agreement”) between the Parties for the purpose of such sale. Any additional, different, or conflicting terms are hereby rejected, unless otherwise agreed in a signed contract by Netafim USA.

## PRICING

All prices shown are recommended retail prices. Wholesale prices are net prices discounted from list prices. All prices are subject to change without notice. No prices are firm until Netafim USA sends Buyer an order acknowledgement or invoice. Notwithstanding the preceding sentence, Netafim USA reserves the right to re-price Products to the then-current price when Products ship if any of the following apply: (1) Buyer schedules delivery of the Products more than 90 days from the date the initial order acknowledgement is sent to the Buyer by Netafim USA, (2) Buyer is notified by Netafim USA that the products are available for delivery on or before the originally requested shipping date and does not take delivery of the Products within 15 days of the originally requested shipping date, (3), Buyer does not take delivery within 15 days of the date the Buyer is notified by Netafim USA that the Products are available for delivery, if that date is after the requested shipping date, or (4) a Force Majeure Event substantially increases the cost or decreases the availability of a Product or a material input for that Product. Prices do not include taxes, freight or handling, or other surcharges. If appropriate, such charges will be billed separately on the invoice.

## PRODUCT CLASSIFICATION

Netafim USA’s Agriculture Price List represents our most commonly ordered Products as well as some reference to options, which may be available. If you have a product requirement for something you do not see listed, please call Customer Service for availability, price, and delivery times.

## PAYMENT TERMS

All invoices are payable in United States Dollars at net thirty (30) days from the date of invoice, unless otherwise agreed in writing. All past due balances will be assessed a monthly finance charge of eight-tenths of one percent (0.8%), or the highest amount allowed by law, whichever is less. All Payments made by the Buyer under these Terms shall be made in full without any deduction, set-off or counterclaim whatsoever. Any check or remittance received from or for the account of Buyer may be accepted and applied by Netafim USA against any debt owed by Buyer to Netafim USA without prejudice to or the discharge of the remainder of such indebtedness of any condition, provision, statement, legend, or notation appearing on or referring to or accompanying such check or remittance. Netafim USA will not accept any payment less than the entire debt as accord and satisfaction of such indebtedness except upon Netafim USA’s signed, written agreement.

## ACCOUNT STATUS

All orders are subject to credit review. Order processing and/or shipments may be held until Buyer’s account is current.

## MINIMUM ORDER

The minimum order amount for standard (stocked) products is one hundred dollars (\$100). A twenty-dollar (\$20) per order charge will be assessed on all Product orders less than the one hundred dollar (\$100) minimum. Non-standard items such as extruded products with special flows or pricing, or Products with unusual features, may have different minimum order requirements. See the price list for order minimums.

## SPECIAL ORDERS

We will work with you on any Special Order, Make-to-Order, or Custom requests. In the case of Special Orders or Custom requests, prices and delivery will be quoted, and the order will not be eligible for cancellation or return. Also, Special Orders or Custom requested products, manufactured or ordered to “non- standard” specifications, at Netafim USA’s discretion, may be shipped immediately upon availability. If accepted by Netafim USA, an order for Make-to-Order Products will not be produced until Buyer has provided a delivery date and shipping location to Netafim USA. Once the Product is manufactured, Buyer must authorize shipment of the Product within 15 days from the date originally requested for shipment. Returns of Make-to-Order Products are handled as listed below.

# TERMS AND CONDITIONS

## ORDER CANCELLATIONS

Buyer may not cancel an order unless such cancellation is expressly agreed to in writing by Netafim USA. Netafim USA has no obligation to cancel an order for Non-Standard, Make-to-Order, Custom or Special-Order Products after the Products have been manufactured, or received from a vendor, or a non-cancellable purchase commitment has been entered into with a vendor. If Netafim USA, at its sole discretion, agrees to cancel such an order, upon cancellation the Buyer may be charged 50% or more of the order value based on how saleable the Products are.

## PRODUCT CHANGES

Netafim USA reserves the right to redesign, alter, or modify its Products at any time, without notice. Any catalog, design manual, price sheets, and/or other written material are subject to withdrawal or change at any time without prior notice. Possession of the current catalog or price sheets does not constitute an offer to sell.

## PRODUCT INSTALLATION

Unless otherwise agreed by Netafim USA, Netafim USA does not provide advice or assistance in the installation of the Products by the Buyer or any third party.

## BAGGED PRODUCTS

Netafim USA has a number of Products that are packaged and sold in bagged or case quantities. Bagged parts are designated by placing a “-B” at the end of the product number. The quantities have been developed to provide the best value for the most standard quantities ordered and are intended for sale in the quantities listed. Order quantities will be rounded up to the nearest bag or case quantity at Netafim USA’s discretion. Buyer can verify part numbers and quantities being ordered by using the Netafim USA Dealer Portal or the Netafim USA price list. Netafim USA shall not be held liable for the impact of Buyer mistakes in order quantities due to incorrect part numbers or quantities not matching bagged or case quantities.

## REEL DEPOSITS

When requested by the Buyer, heavy wall irrigation tubing may be provided to the Buyer on Metal Reels. The Metal Reels are approximately 8 feet in diameter and of hub and spoke construction. The reels will be loaned to the Buyer to facilitate the bulk transportation and installation of the irrigation tubing. A seven hundred dollar (\$700) deposit per reel will be applied to cover the cost of each reel. The reel must be returned in good condition for the deposit to be credited back to the Buyer. Damaged reels will not be accepted for credit. Buyer will be responsible for return freight. Reels must be returned within 120 days to receive credit.

## ACCEPTANCE

The Buyer acknowledges its responsibility for inspecting all Products shipped by Netafim USA to determine whether said Products are in conformity with Buyer’s order, including whether all Products listed on the packing list have been shipped and whether the shipment contains any damaged Products. The Buyer agrees that fourteen (14) days from receipt of each shipment is a reasonable time in which to perform the inspection and notify Netafim USA of any nonconformity. If Netafim USA has not received a written notice of nonconformity within fourteen (14) days of the Buyer’s receipt of the shipment, the Buyer hereby agrees that the Products shall be deemed to be accepted by the Buyer, as that term is defined by the California Commercial Code. To avoid any doubt, the Buyer’s right to reject the shipment will be terminated. Also, if a written notice of nonconformity is not received within fourteen (14) days of the Buyer’s receipt of the shipment, Netafim USA will be relieved of any obligation concerning the shipment, other than warranty obligations, and the Buyer will pay for the shipment in full. The Buyer shall bear the complete cost of the inspection in all circumstances. The Buyer agrees that Netafim USA will have an opportunity to cure any nonconforming shipment. The Buyer further agrees that, in the event that a notice of nonconformity is received by Netafim USA, the time for Netafim USA’s performance under the Agreement will be extended for a reasonable time to allow Netafim USA to tender conforming Products or make reasonable repairs.

## RETURNS – STANDARD PRODUCTS

No Products may be returned without Netafim USA’s written consent and authorization. Requests to return Products must be made within 120 days of receipt of shipment from Netafim USA and reference the Netafim USA invoice number. Any approved return must be accompanied by a return goods authorization (RGA) issued by Netafim USA,

# TERMS AND CONDITIONS

clearly marked on the exterior of the parcel, and shipped freight prepaid within 30 days of the RGA issue date. All Products must be new, in original packaging, and in salable condition. All approved returns may be subject to a restocking fee. Buyer will bear the costs of return freight. Any shipment not meeting these criteria will not be accepted. The intent to return Products does not relieve the Buyer of the obligation to pay for the Products per the terms of the original invoice. Credit will be given only after the authorized return is received and accepted at Netafim USA.

## **RETURNS – NON-STANDARD PRODUCTS**

Non-Standard, Make-to-Order, Custom or Special-Order Products may not be eligible for return. Netafim USA may, at its sole discretion, deny the return of such non-standard products. If Netafim USA agrees to the return of such Products, the Products must be new, in original packaging, and in a saleable condition. The repurchase price offered for the return may be discounted 50% or more, based on how saleable the Products are. The intent to return Products does not relieve the Buyer of the obligation to pay for the Products per the terms of the original invoice. Credit will be given after the authorized return is received and accepted by Netafim USA.

## **RETURN OF DEFECTIVE PRODUCTS**

Netafim USA will be responsible for the return shipping of Products that are defective upon arrival, other than Products damaged in transport by the carrier. A Notice of Defect must be received by Netafim USA within fourteen (14) days of Buyer's receipt of said Products. The Buyer agrees that failure to give a Notice of Defect within such time is a waiver of any defect. Prior approval from the Buyer's District Sales Manager and an RGA must accompany all returns. Credit will not be given until the Product has been received by Netafim USA and approved for warranty.

## **PARTIAL SHIPMENTS/COMPLETE SHIPMENTS**

Netafim USA's goal is to ship Buyer orders complete and within the requested delivery time. Netafim USA may ship orders from any available warehouse, to meet requested delivery dates, unless otherwise specified by the Buyer. Partial shipments may be made at the request of the Buyer, at the sole discretion of Netafim USA. On orders where partial shipments are requested by the Buyer, Netafim USA at its discretion may ship and backorder open items on the order. Netafim may charge additional shipping and handling costs to Buyer incurred by partial shipments of an order.

## **DELIVERY PERFORMANCE**

Netafim USA will use commercially reasonable efforts to meet the delivery dates, specifications, and quantities set forth in an order acknowledgement. Netafim USA will not be liable for nonconformity, losses, damages, or delays suffered by the Buyer or any third party for any failure to meet the delivery dates, specifications, and quantities. If Netafim USA cannot meet the delivery date, it will notify the Buyer and use reasonable endeavors to make delivery within a reasonable time. Buyer must accept delivery and pay the Price thereof irrespective of such delay. In the absence of a delivery time set forth in the order acknowledgement, or subsequently provided by Netafim USA, the delivery date will be within ninety (90) days of the order acknowledgement.

## **STANDARD FREIGHT TERMS**

FOB Origin, per the Uniform Commercial Code (UCC) definition. Standard shipping method is Netafim USA's choice of carrier, shipped prepaid and added to the Buyer invoice. Shipments will be made within a one hundred fifty (150) mile radius of an authorized Buyer's store.

## **FREIGHT POLICY**

In consideration for the Buyer placing orders that meet minimum thresholds, as defined in the Freight Policy Statements (see FREIGHT CHARGES below), Netafim USA will provide freight allowances that may completely or partially reimburse the cost of freight. Unless otherwise agreed, the allowances will be applied against the cost of Transportation. For the purposes of this policy, "Transportation" is defined as the cost of basic freight plus fuel surcharges, using preferred carriers, with standard trucks (closed box trailer without lift gate), standard loading methods, and no accessorial charges, i.e., Best Method Transportation. Buyer requests for non-standard Transportation that results in additional costs, may be invoiced to the Buyer. Accessorial Services (non-standard services such as Lift Gates, Pallet Jacks, Driver Assist, etc.) may be charged separately on the invoice. If non-standard Transportation or Accessorial Services are billed to the Buyer, "Freight Free" shall mean that Transportation costs only will be fully reimbursed.

# TERMS AND CONDITIONS

## **FREIGHT CHARGES**

Netafim USA's method for charging freight, including freight allowances and order thresholds, will be communicated separately to Buyers in separate Freight Policy Statements.

## **FREIGHT DAMAGES**

The Buyer acknowledges that risk of loss during transport is on the Buyer. Netafim USA is not liable for damage or loss occurring during shipment. Claims for such damages must be filed with the freight carrier directly. Freight damage and obvious box or pallet count shortages must be noted on the bill of lading at the time of goods receipt. Failure to do so will forfeit any remedy for such claims.

## **EXPORT COMPLIANCE**

The "Products" sold or distributed by Netafim USA (i.e., commodities, technology, or software) when exported from the United States are subject to the Export Administration Regulations ("EAR") administered by the U.S. Department of Commerce. Buyer hereby certifies that it understands its obligations to comply with U.S. export controls and trade sanctions. These include the EAR and the laws and regulations implemented by the U.S. Department of the Treasury, Office of Foreign Assets Control ("OFAC"). Buyer agrees to obtain any necessary authorization to transfer the Products outside the U.S. (and to non-U.S. persons within the U.S.) including to any (i) country/territory, (ii) end-user (i.e., individual or entity), or (iii) end-use subject to U.S. trade/economic sanctions under the EAR or by OFAC. Diversion of the Products by foreign persons contrary to U.S. law is prohibited.

## **FORCE MAJEURE**

Except for any obligation of the Buyer to pay any money due to Netafim USA, neither party will be liable for any delay or failure to perform any obligation hereunder caused by a Force Majeure Event. The Party claiming the Force Majeure Event will (A) promptly notify the other Party in writing of the Force Majeure Event and its likely duration, and (B) will take reasonable steps to overcome the delay or stoppage. "Force Majeure Event" means an event, condition, or circumstance beyond a party's reasonable control including, without limitation: industrial disputes, strikes, lockouts, accident, breakdown, import or export restrictions, acts of God, fire, inclement weather, earthquake, epidemic, or pandemic (including COVID-19 or similar), acts or threats or terrorism, war, criminal acts (including but not limited to cybercrimes), failure of public infrastructure, or other similar circumstances.

## **INTELLECTUAL PROPERTY**

The Buyer acknowledges that any and all Intellectual Property associated with the Products is exclusively owned by Netafim USA or its affiliates. The Buyer shall not take any action that will impair the ownership and rights of Netafim USA in and to the Intellectual Property. Buyer undertakes that it will not obliterate, remove, conceal, or modify any Intellectual Property appearing on or in any Products, nor will it append any additional marks thereto. The Buyer shall not copy, modify, publish, transmit, transfer, sell, reproduce, create derivative works from, distribute, perform, display, or in any way exploit any of the Intellectual Property. The Buyer may not use Seller's name, logos or trademarks or any other Intellectual Property on any website. "Intellectual Property" shall mean for the purposes herein any patent, copyright, industrial design, trademark, tradename or other industrial or intellectual property right in respect of the Products and applications for any of the foregoing.

## **CHANGE OF CONTROL OR OWNERSHIP**

Prior to the occurrence of a Change of Control event, the Buyer shall notify Netafim USA in writing at least 14 days prior to the occurrence of such Change of Control. In the event of a Change of Control in Buyer, Netafim USA may, at its sole discretion, terminate the engagement with the Buyer under the Agreement. "Change of Control" means, with respect to the Buyer (i) any merger or consolidation with or into any other entity or any other similar transaction, whether in a single transaction or a series of related transactions, (ii) a transaction or series of related transactions in which 50% or more of Buyer's voting power is transferred to any person or entity, or (iii) the sale or transfer of all or substantial amount of the Buyer's assets.



# TERMS AND CONDITIONS

## COMPLIANCE WITH LAWS, ANTI-CORRUPTION AND BRIBERY

Buyer further represents and warrants to Netafim USA that:

- a. It will conduct itself in accordance with all applicable laws and regulations in carrying out his duties under these Terms.
- b. It and its applicable stakeholders, including, inter alia, any owner, shareholder (direct or beneficial), officer, director, employee, agent, third party representative, subcontractor, contractor, or other individual with any direct or indirect beneficial interest, shall comply with Anti-Corruption Laws (defined below) and shall not cause Netafim USA, its subsidiaries or affiliates to be in violation of any Anti-Corruption Law. "Anti-Corruption Laws" mean collectively all applicable foreign and domestic anti-bribery and anti-corruption laws, regulations, orders, judicial decisions, conventions and international financial institution rules regarding domestic or international corruption, bribery, ethical business conduct, money laundering, political contributions, gifts and gratuities, or lawful expenses to public officials and private persons, agency relationships, commissions, lobbying, books and records, and financial controls.
- c. Neither it nor any of its affiliates or representatives have, directly or indirectly, taken any action that would cause them to be in violation of any Anti-Corruption Laws.
- d. It, its owners, directors, employees and its agents, have not and will not pay, offer, or promise to pay any money, financial benefit or thing of value to any government, or party official, candidate or employee at any level, including employees of state owned or controlled enterprises ("Government Officials") (i) for the purpose of influencing any act or decision of such person or party in order to obtain or retain business, or to direct business to any person; or (ii) with regards to Government Officials and/or private individuals, induce that person to or reward that person not to perform its functions in connection with that person's employment or engagement.
- e. The Buyer represents and warrants that no owner, shareholder (direct or beneficial), officer, director, employee, agent, third party representative, subcontractor, contractor, or other individual with any direct or indirect beneficial interest in Buyer (collectively, "Interested Persons"), is a Public Official or Entity. A "Public Official or Entity" means (i) an officer, employee, agent, contractor or representative of any government or military, including, but not limited to, a customs official; (ii) any department, agency, corporate entity, instrumentality or political subdivision of any government or military; (iii) any person or commercial entity acting in an official capacity for or on behalf of any government or military; (iv) any candidate for political office, any political party or any official of a political party. Buyer shall notify Netafim USA immediately if it learns at any time that (i) an Interested Person becomes a Public Official or Entity, or (ii) a Public Official or Entity acquires an ownership, voting, or economic interest in Buyer.
- f. It is neither a governmental entity, agency, or instrumentality, nor is it owned by a governmental entity, agency, or instrumentality; and no owner, shareholder (direct or beneficial), officer, director, employee, agent, third party representative, subcontractor, contractor, or other individual with any direct or indirect beneficial interest in Buyer is a foreign Public Official or Entity.
- g. In the event of a breach of the obligations contained in this clause, the sale under these Terms is void.
- h. The Buyer (a) is not a Sanctioned Person, (b) has not, in the past five (5) years engaged in, has any plan or commitment to engage in, direct or indirect dealings with any Sanctioned Person or in any Sanctioned Country, or (c) has in the past five (5) years violated, or engaged in any conduct sanctionable under, any Sanctions Law, nor been the subject of an investigation or allegation of such a violation or sanctionable conduct. The Buyer shall conduct itself in accordance with Sanction Laws for the performance of its obligations under these Terms.
- i. Definitions
  - i. "Sanctioned Person" means, at any time, (a) any person listed in any sanctions-related list of designated persons maintained by the Office of Foreign Assets Control of the U.S. Department of the Treasury, the U.S. Department of State, or by the United Nations Security Council, the European Union or any European Union member state, (b) any person operating, organized or resident in a Sanctioned Country or (c) any person owned or controlled by any such person or persons described in the foregoing clauses (a) or (b).
  - j. "Sanctioned Country" means at any time, a country or territory which is the subject or target of any economic or financial sanctions or trade embargoes.
  - k. "Sanction Laws" means laws and executive orders of the United States of America, the United Nations Security Council, the European Union the United Kingdom, and the applicable laws of the jurisdictions under which the Buyer operates, imposing economic or financial sanctions or trade embargoes, and regulations implementing such laws and executive orders.

# TERMS AND CONDITIONS

## **NOTICES**

Notices or other communications provided for in these Terms shall be in writing and shall be delivered, given or otherwise provided (i) by hand, in which case, will be effective upon delivery, (ii) email, in which case, on the date sent if sent during normal business hours of the recipient, and on the next business day if sent after normal business hours of the recipient, or (iii) by overnight delivery by an internationally recognized courier service, prepaid for next day delivery, in which case, it will be effective two (2) business days after being deposited with such courier service.

## **NO WAIVER OF NETAFIM USA'S RIGHTS**

Neither Netafim USA's failure or delay to exercise any power or privilege under these Terms or failure to insist upon strict compliance by the Buyer with any obligation herein, nor any custom or practice of Netafim USA or Buyer shall constitute any waiver of any of Netafim USA's rights hereunder. Waiver by Netafim USA of any default of the Buyer must be in writing and shall not affect or impair Netafim USA's rights in respect of any subsequent or future default.

## **ASSIGNMENT**

Buyer shall not assign any of its rights or obligations hereunder to any other entity, without the Seller's prior written consent. These Terms shall inure to the benefit of the Parties hereto and their permitted successors and assigns.

## **SEVERABILITY**

If anything in these Terms shall be held unenforceable, illegal, or void by a court of competent jurisdiction then it shall be severed, and the rest of these Terms shall remain in full force to the extent possible.

## **GOVERNING LAWS AND JURISDICTION**

These Terms shall be governed by the laws of the State of California. The parties submit to the exclusive venue and jurisdiction of the state and federal courts of Fresno County, California.

# PRODUCT WARRANTY

## NETAFIM USA'S LIMITED WARRANTY/LIMITATION OF BUYER'S REMEDIES

### (A) BASIC MANUFACTURER'S LIMITED WARRANTY

Except as to products described in Subsections (B), (C), (D), (E), (F), (G), (H) and (I), products sold and/or manufactured by Netafim Irrigation, Inc. (Netafim USA) are warranted to be free from original defects in material and workmanship for a period of one (1) year from the date of delivery to the buyer unless (a) otherwise specified by and subject to the terms and conditions of any Warranty Supplements pertaining to specific products or, (b) expressly disclaimed in writing by Netafim USA. Within the warranty period, Netafim USA at its sole discretion shall have the option to repair or replace part or all of a defective product, or refund part or all of the original purchase price, if any part proves to be defective in material or workmanship after return of such product at Buyer's expense and after such return has been authorized in writing by Netafim USA. THIS BASIC MANUFACTURER'S LIMITED WARRANTY IS SUBJECT TO THE TERMS AND PROVISIONS IN SUBSECTION (i), (LIMITATION OF REMEDIES AND DISCLAIMER OF WARRANTIES) SET FORTH BELOW IN THE EVENT OF ANY INCONSISTENCY BETWEEN SUBSECTION (A) AND SUBSECTION (i) OF THIS PRODUCT WARRANTY, THE PROVISIONS OF SUBSECTION (i) SHALL PREVAIL.

### (B) DRIPPERS

Drippers are warranted to be free from original defects in materials and workmanship for a period of five (5) years. NetBow is warranted to be free from original defects in materials and workmanship for a period of two (2) years.

### (C) HEAVYWALL DRIPLINES AND BLANK POLYETHYLENE TUBING

Heavywall driplines and blank polyethylene tubing are warranted to be free from original defects in materials and workmanship for a period of seven (7) years and ten (10) years for environmental stress cracking. This warranty shall apply only to products with a wall thickness of 35 mil or greater.

### (D) FLEXIBLE PIPE AND OVAL TUBE

FlexNet flexible pipe is warranted for three (3) years. Oval tube: 42 psi (pro-rated) is warranted for seven (7) years and 21 or 29 psi (pro-rated) is warranted for two (2) years.

#### 42 psi

| Within 3 Years | Within 4 Years | Within 5 Years | Within 6 Years | Within 7 Years |
|----------------|----------------|----------------|----------------|----------------|
| 100%           | 80%            | 60%            | 40%            | 20%            |

#### 21 or 29 psi

| Within 1 Year | Within 2 Years |
|---------------|----------------|
| 100%          | 50%            |

### (E) THINWALL DRIPLINES

Warranted to be free from original defects in materials and workmanship as follows:  
5, 6 and 8 mil dripline - 1 year; 10, 13, 15, 18, 25 mil, 1 1/8 and 1 3/8 dripline - 2 years

### (F) FILTERS

Disc filters are warranted to be free from original defects in materials and workmanship for a period of five (5) years. This warranty specifically excludes gaskets, seals and o-rings, which are subject to the basic one (1) year warranty. Steel screen filters, Sandstorm filters and Screenguard filters are warranted for five (5) years.

# PRODUCT WARRANTY

## (G) VALVES AND WATER METERS

Valve and water meter bodies are warranted to be free from original defects in materials and workmanship for a period of five (5) years. Water meter metering components (register, electrical output, and metering assembly) are warranted for three (3) years. Valve and Hydrometer diaphragms are warranted for a period of two (2) years. This warranty specifically excludes pilots, pilot accessories, relays, solenoids, solenoid components/fittings, which are subject to the basic one (1) year warranty.

Octave water meters are warranted to be free from original defects in materials and workmanship for a period up to five (5) years. If the meter encounters a problem, Netafim USA will choose to cover the cost of repair or replacement based on a five (5) year pro-rated schedule as follows:

|                             |                            |
|-----------------------------|----------------------------|
| Year 0 through Year 2: 100% | Year 2 through Year 3: 75% |
| Year 3 through Year 4: 50%  | Year 4 through Year 5: 25% |

All Octave water meters must be installed with a Netafim branded Combination Air/Vacuum or Continuous Acting Air Vents to qualify for the five (5) year pro-rated product warranty.

## (H) AIR VENTS

Nylon air vent bodies are warranted to be free from original defects in materials and workmanship for a period of five (5) years. Polypropylene air vent bodies are warranted for two (2) years. This warranty specifically excludes internal seals, gaskets or o-rings which are subject to the basic one (1) year warranty.

## (I) SPRINKLERS

MegaNet Sprinklers are warranted to be free from original defects in material and workmanship for a period of one (1) year. Under a special extended warranty, SuperNet Sprinklers, Spray Jets and NetJet Spray Jets are warranted for a period of five (5) years. Buyer's remedy shall be limited to and pro-rated as follows:

### APPLICABLE REMEDY FROM DATE OF PURCHASE

| Within 1 Year | Within 2 Years | Within 3 Years | Within 4 Years | Within 5 Years |
|---------------|----------------|----------------|----------------|----------------|
| 100%          | 80%            | 60%            | 40%            | 20%            |

## (i) LIMITATION OF REMEDIES AND DISCLAIMER OF WARRANTIES

EXCEPT AS EXPRESSLY PROVIDED HEREIN, ALL WARRANTIES EXPRESSED OR IMPLIED, INCLUDING ANY IMPLIED WARRANTY OF MERCHANTABILITY OR FITNESS FOR A PARTICULAR PURPOSE OR USE, ARE HEREBY EXCLUDED AND DISCLAIMED.

THE REMEDIES PROVIDED HEREIN SHALL BE THE EXCLUSIVE AND SOLE REMEDY OF THE BUYER. NO OTHER EXPRESS WARRANTY IS GIVEN AND NO AFFIRMATION BY NETAFIM USA, BY WORDS OR ACTION, WILL CONSTITUTE A WARRANTY. NO OTHER EXPRESS WARRANTY NOR ANY OTHER REMEDY SHALL BE AVAILABLE TO THE BUYER AND NETAFIM USA SHALL NOT BE RESPONSIBLE OR LIABLE FOR ANY DAMAGES, INCLUDING ANY LOSS OF PROFIT, LOST SAVINGS, LOSS OF SALES, OR OTHER DIRECT, INDIRECT, INCIDENTAL, SPECIAL OR CONSEQUENTIAL DAMAGES, INJURY OR DAMAGES TO ANY PERSON OR PROPERTY ARISING OUT OF THE USE OR INABILITY TO USE THE PRODUCTS OR THE BREACH OF ANY EXPRESS WARRANTY, EVEN IF NETAFIM USA HAS BEEN ADVISED OF THE POSSIBILITY OF THOSE DAMAGES OR CLAIMS. NETAFIM USA SHALL NOT BE RESPONSIBLE FOR THE AFORESAID DAMAGES, CLAIMS OR LOSSES DUE TO LATE DELIVERY OR DELIVERY OR NON-DELIVER, OR OTHERWISE. THERE ARE NO WARRANTIES WHICH EXTEND BEYOND THE DESCRIPTION AS SET FORTH HEREIN. IF NETAFIM USA SHALL FURNISH TECHNICAL ADVICE OR ASSISTANCE WITH RESPECT TO THE PRODUCTS SOLD HEREUNDER, IT SHALL BE GIVEN WITHOUT CHARGE TO BUYER AND SHALL BE GIVEN AND ACCEPTED AT BUYER'S SOLE RISK WITHOUT ANY EXPRESS OR IMPLIED WARRANTY AND NETAFIM USA SHALL NOT BE RESPONSIBLE OR LIABLE FOR THE ADVICE OR THE RESULTS THEREOF BUYER ASSUMES ALL RISK AND LIABILITY RESULTING FROM USE OF THE PRODUCT PURCHASED.

# PRODUCT WARRANTY

## PRODUCT WARRANTIES

| Product Description                            | Warranty Length |
|--|-----------------|
| <b>AIR VENTS</b>                               |                 |
| Nylon Bodies                                   | 5 Years         |
| Polypropylene Bodies                           | 2 Years         |
| Gaskets, Seals, O-Rings                        | 1 Year          |
| <b>DISC FILTERS</b>                            | 5 Years         |
| Gaskets, Seals, O-Rings                        | 1 Year          |
| <b>DRIPPERS</b>                                | 5 Years         |
| NetBow   | 2 Years         |
| <b>WATER METERS</b>                            |                 |
| Metering Component                             | 3 Years         |
| Bodies   | 5 Years         |
| Octave (Pro-Rated Schedule Applies)            | 5 Years         |
| <b>HEAVYWALL DRIPLINES</b>                     |                 |
| Manufacturer's Defects                         |                 |
| Uniram, Uniram XRS, Aries, DripNet PC          | 7 Years         |
| Environmental Stress Cracking (35 mil/greater) |                 |
| Uniram, Uniram XRS, Aries, DripNet PC          | 10 Years        |
| <b>HEAVYWALL FITTINGS</b>                      | 1 Year          |
| <b>SPRINKLERS &amp; SPRAY JETS</b>             |                 |
| (Pro-Rated Schedule Applies)                   | 5 Years         |
| Sprinkler Components                           | 5 Years         |
| MegaNet  | 1 Year          |
| <b>STEEL SAND MEDIA FILTERS (Body Only)</b>    | 5 Years         |
| Sand Media Filter Component                    | 1 Year          |
| <b>STEEL SCREEN FILTERS (Body Only)</b>        | 5 Years         |
| Screen Filter Component                        | 1 Year          |
| <b>SCAN-KLEEN SCREEN FILTERS</b>               | 1 Year          |
| <b>POLYETHYLENE TUBING</b>                     |                 |
| Manufacturer's Defects                         | 7 Years         |
| Environmental Stress Cracking (35 mil/greater) | 10 Years        |
| <b>FLEXNET FLEXIBLE PIPE</b>                   | 3 Years         |
| <b>OVAL TUBE</b>                               |                 |
| 42 psi pro-rated                               | 7 Years         |
| 21 or 29 psi pro-rated                         | 2 Years         |
| <b>PRESSURE REGULATORS</b>                     | 1 Year          |
| <b>THINWALL DRIPLINES</b>                      |                 |
| 5, 6 or 8 mil Streamline X 630/875             | 1 Year          |
| 8 mil Typhoon Plus (all)                       | 1 Year          |
| 10 mil Streamline X 630/875                    | 2 Years         |
| 10, 13 or 15 mil Typhoon Plus 630/875          | 2 Years         |
| 13 or 15 mil Aries 638/875                     | 2 Years         |
| 13 or 15 mil Aries and Typhoon Plus 990        | 2 Years         |
| Aries and Typhoon Plus 1 1/8 and 1 3/8         | 2 Years         |
| DripNet PC                                     | 2 Years         |
| Splicer  | 1 Year          |
| <b>THINWALL FITTINGS</b>                       | 1 Year          |
| <b>VALVES</b>                                  |                 |
| Bodies   | 5 Years         |
| Diaphragms                                     | 2 Years         |
| <b>ALL PRODUCTS NOT LISTED</b>                 | 1 Year          |

# IRRIGATION CONSUMER BILL OF RIGHTS

## AGRICULTURE

**Note:** This supplements various bills written for specific irrigation methods. Discuss these items with your irrigation dealer before purchasing your irrigation system. The discussion will help you to make wiser selections of design options and to appreciate the obligations of both yourself and the dealer in creating your irrigation system.

### Designer Qualifications

- What are the dealer credentials (formal training, references, designer certification by the Irrigation Association, contractor's license, and/or professional agricultural engineer registration)?

### Design Features

- What is the life expectancy of system components?
- What safety features have been included?
- What are the options for future upgrades?
- What is the recommended list of spare parts?

### Specific Operation/Design Parameters

- What will be the distribution uniformity of the whole field when brand new?
- Does the system provide climate control?
- Water requirements?
  - What are the peak daily needs (acre-inches) for a normal year?
  - What is the system delivery capacity in 24 hours (acre-inches)?
  - What is the anticipated amount of water to be used per year (acre-feet)?
  - If the field has plants with different spacings, ages or varieties, what is the recommended procedure to provide the appropriate amount of water per acre per week to each block?
- Energy consumption
  - Is it possible to pump all water during off-peak hours?
  - What are the pump and motor/engine efficiencies?
  - Are you provided with a pump curve showing the GPM and pressure?
  - What is the sensitivity of pump flow rates to well water level changes?
  - What is the energy cost per acre-foot?



### Filtration

- Is filtration necessary, and if so, what type is provided?

### Chemical Injection

- Are locally required backflow prevention and safety devices provided?
- What is the capacity of the injector, in gallons per hour?
- Can the equipment inject both fertilizers and other chemicals?

### Flow Meter

- Does it measure both flow rate (GPM) and/or volume (acre-feet) applied?
- Does installation follow the manufacturer's recommendations with regard to lengths of straight pipe, pipe diameter and straightening vanes?

### Pressure, Air and Flushing

- Are there adequate continuous air vents, vacuum relief valves and flushout?
- What are the number, type and size of pressure relief valves?
- Is the pressure rating of all system components sufficiently high for the anticipated water temperature, surge pressure and normal pressures?

### Warranties

- Who provides equipment installation, start-up and adjustments?
- What are the warranties on individual components and "system" design performance?
- Who is providing warranties and what do the warranties cover and exclude?
- Are the providers financially capable of standing behind their warranties?
- What is the availability of replacement parts?
- Is a packet provided containing manufacturer's literature, warranties and operation instructions for the system?
- Is the irrigation dealer a "full service" dealer?



# THINWALL DRIPLINES



|  |    |
|--|----|
| Quick Selection Guide for Commonly Sold Products ..... | 16 |
| Streamline™ X 630 Series .....                         | 18 |
| Streamline™ X 875 Series .....                         | 19 |
| Streamline™ X EZ (*Formerly Streamline X ReGen).....   | 20 |
| PioneerLine™ PC and X.....                             | 20 |
| Typhoon™ Plus 638 Series .....                         | 21 |
| Typhoon™ Plus 875 Series .....                         | 23 |
| Typhoon™ Plus 990 Series .....                         | 25 |
| Typhoon™ Plus 1 1/8 Series .....                       | 26 |
| Typhoon™ Plus 1 3/8 Series .....                       | 26 |
| Aries™ 638 Series .....                                | 27 |
| Aries™ 875 Series .....                                | 28 |
| Aries™ 990 Series .....                                | 29 |
| Aries™ 1 1/8 Series .....                              | 30 |
| Aries™ 1 3/8 Series .....                              | 30 |
| DripNet PC™ 636 Series                                 |    |
| Non-Anti Siphon .....                                  | 31 |
| With Anti-Siphon .....                                 | 32 |
| DripNet PC™ 875 Series                                 |    |
| Non-Anti Siphon .....                                  | 33 |
| With Anti-Siphon .....                                 | 34 |
| DripNet PC™ 990 Series                                 |    |
| With Anti-Siphon .....                                 | 35 |

TWD = Thinwall Dripline  
MIPT = Male Pipe Thread

PE = Polyethylene Tubing  
FIPT = Female Pipe Thread

# THINWALL DRIPLINES

## QUICK SELECTION GUIDE FOR COMMONLY SOLD THINWALL DRIPLINES (MADE TO STOCK - MTS) NOT SUBJECT TO MINIMUM ORDER QUANTITY REQUIREMENTS (MOQ)

Netafim USA has a wide selection of thinwall driplines to fit numerous applications. Some driplines are stocking items which are not subject to minimum order quantity requirements and the following charts list those driplines.

### THINWALL REELS PER PALLET

| Product      | Series                    | Reels Per Pallet |
|--------------|---------------------------|------------------|
| Streamline X | 630, 875                  | 16               |
| Typhoon Plus | 630, 820, 875, 990, 1 1/8 | 16               |
| Typhoon Plus | 1 3/8                     | 12               |
| Aries        | 630, 875, 990             | 16               |
| Aries        | 1 1/8, 1 3/8              | 12               |
| DripNet PC   | 636, 876, 990             | 12               |

### STREAMLINE™ X 630 SERIES

With Flap Outlet Protection



(F)

| Model Number                                  | Description         | Flow Rate (GPH) | Reel Length | Weight per Reel | Weight per Pallet | Price Per 1,000' | Price Per Reel |
|---|---------------------|-----------------|-------------|-----------------|-------------------|------------------|----------------|
| <b>5 Mil Wall Thickness - 0.638" Diameter</b> |                     |                 |             |                 |                   |                  |                |
| SLXF63805.16-12                               | 12" dripper spacing | 0.16            | 13,000'     | 58 lbs.         | 973 lbs.          | Call for Quote   |                |
| SLXF63805.2-12                                | 12" dripper spacing | 0.24            | 13,000'     | 58 lbs.         | 973 lbs.          |                  |                |
| <b>6 Mil Wall Thickness - 0.638" Diameter</b> |                     |                 |             |                 |                   |                  |                |
| SLXF63806.2-08                                | 08" dripper spacing | 0.24            | 10,500'     | 59 lbs.         | 989 lbs.          | Call for Quote   |                |
| SLXF63806.16-08                               | 08" dripper spacing | 0.16            | 10,500'     | 59 lbs.         | 989 lbs.          |                  |                |
| SLXF63806.16-12                               | 12" dripper spacing | 0.16            | 11,500'     | 63 lbs.         | 1,053 lbs.        |                  |                |
| SLXF63806.2-12                                | 12" dripper spacing | 0.24            | 11,500'     | 63 lbs.         | 1,053 lbs.        |                  |                |
| <b>8 Mil Wall Thickness - 0.638" Diameter</b> |                     |                 |             |                 |                   |                  |                |
| SLXF63808.16-08                               | 08" dripper spacing | 0.16            | 8,000'      | 54 lbs.         | 909 lbs.          | Call for Quote   |                |
| SLXF63808.2-08                                | 08" dripper spacing | 0.24            | 8,000'      | 54 lbs.         | 909 lbs.          |                  |                |
| SLXF63808.16-12                               | 12" dripper spacing | 0.16            | 9,000'      | 61 lbs.         | 1,021 lbs.        |                  |                |
| SLXF63808.2-12                                | 12" dripper spacing | 0.24            | 9,000'      | 61 lbs.         | 1,021 lbs.        |                  |                |
| SLXF63808.4-12                                | 12" dripper spacing | 0.36            | 9,000'      | 61 lbs.         | 1,021 lbs.        |                  |                |
| SLXF63808.2-18                                | 18" dripper spacing | 0.24            | 9,000'      | 61 lbs.         | 1,021 lbs.        |                  |                |
| SLXF63810.2-12                                | 12" dripper spacing | 0.24            | 5,500'      | 65 lbs.         | 1,085 lbs.        |                  |                |

### STREAMLINE™ X 630 SERIES

Without Flap Outlet Protection

(F)

**NEW**

| Model Number   | Description   | Flow Rate (GPH) | Reel Length | Weight per Reel | Weight per Pallet | Price Per 1,000' | Price Per Reel |
|----------------|---|-----------------|-------------|-----------------|-------------------|------------------|----------------|
| SLX63806.07-08 | 6 Mil Wall Thickness - 0.638" Diameter<br>8" dripper spacing  | 0.07            | 10,500'     | 59 lbs.         | 989 lbs.          | Call for Quote   |                |
| SLX63808.2-12  | 8 Mil Wall Thickness - 0.638" Diameter<br>12" dripper spacing | 0.24            | 9,000'      | 61 lbs.         | 1,021 lbs.        |                  | Call for Quote |

- NOTE:** **MTS** (Made to Stock) - products are held in stock at Netafim USA warehouses and listed in the Quick Selection Guide for Commonly sold products.  
**MTO** (Made to Order) - considered products that are not MTS, in other words, not guaranteed to be in stock, and considered to be "Special Order" type products.  
**MOQ** (Minimum Order Quantity) - designated products are products that are MTO and are subject to a minimum coil quantity.



# THINWALL DRIPLINES

## QUICK SELECTION GUIDE FOR COMMONLY SOLD THINWALL DRIPLINES NOT SUBJECT TO MINIMUM ORDER QUANTITY REQUIREMENTS (MOQ)

### STREAMLINE™ X 875 SERIES

With Flap Outlet Protection



(F)

| Model Number                                   | Description         | Flow Rate (GPH) | Reel Length | Weight per Reel | Weight per Pallet | Price Per 1,000' | Price Per Reel |
|--|---------------------|-----------------|-------------|-----------------|-------------------|------------------|----------------|
| <b>6 Mil Wall Thickness - 0.875" Diameter</b>  |                     |                 |             |                 |                   |                  |                |
| SLXF87506.16-12                                | 12" dripper spacing | 0.16            | 8,000'      | 60 lbs.         | 1,005 lbs.        | Call for Quote   |                |
| SLXF87506.16-14                                | 14" dripper spacing | 0.16            | 8,000'      | 60 lbs.         | 1,005 lbs.        |                  |                |
| <b>8 Mil Wall Thickness - 0.875" Diameter</b>  |                     |                 |             |                 |                   |                  |                |
| SLXF87508.16-12                                | 12" dripper spacing | 0.16            | 6,000'      | 56 lbs.         | 941 lbs.          | Call for Quote   |                |
| SLXF87508.2-12                                 | 12" dripper spacing | 0.24            | 6,000'      | 56 lbs.         | 941 lbs.          |                  |                |
| <b>10 Mil Wall Thickness - 0.875" Diameter</b> |                     |                 |             |                 |                   |                  |                |
| SLXF87510.16-12                                | 12" dripper spacing | 0.16            | 5,500'      | 65 lbs.         | 1,085 lbs.        | Call for Quote   |                |

### STREAMLINE™ X 875 SERIES

Without Flap Outlet Protection

(F)



| Model Number                                  | Description        | Flow Rate (GPH) | Reel Length | Weight per Reel | Weight per Pallet | Price Per 1,000' | Price Per Reel |
|---|--------------------|-----------------|-------------|-----------------|-------------------|------------------|----------------|
| <b>6 Mil Wall Thickness - 0.638" Diameter</b> |                    |                 |             |                 |                   |                  |                |
| SLX87506.07-08                                | 8" dripper spacing | 0.07            | 8,000'      | 62 lbs.         | 992 lbs.          | Call for Quote   |                |
| <b>8 Mil Wall Thickness - 0.638" Diameter</b> |                    |                 |             |                 |                   |                  |                |
| SLX87508.07-08                                | 8" dripper spacing | 0.07            | 6,000'      | 58 lbs.         | 928 lbs.          | Call for Quote   |                |

### TYPHOON™ PLUS 875 SERIES

With Flap Outlet Protection



(A)

| Model Number                                   | Description         | Flow Rate (GPH) | Reel Length | Weight per Reel | Weight per Pallet | Price Per 1,000' | Price Per Reel |
|--|---------------------|-----------------|-------------|-----------------|-------------------|------------------|----------------|
| <b>13 Mil Wall Thickness - 0.875" Diameter</b> |                     |                 |             |                 |                   |                  |                |
| TPF87513.16-1240                               | 12" dripper spacing | 0.16            | 4,000'      | 66 lbs          | 1,101 lbs.        | Call for Quote   |                |
| TPF87513.16-1440                               | 14" dripper spacing | 0.16            | 4,000'      | 66 lbs          | 1,101 lbs.        |                  |                |

### TYPHOON™ PLUS 990 SERIES

With Flap Outlet Protection



(A)

| Model Number                                   | Description         | Flow Rate (GPH) | Reel Length | Weight per Reel | Weight per Pallet | Price Per 1,000' | Price Per Reel |
|--|---------------------|-----------------|-------------|-----------------|-------------------|------------------|----------------|
| <b>13 Mil Wall Thickness - 0.990" Diameter</b> |                     |                 |             |                 |                   |                  |                |
| TPF99013.16-14                                 | 14" dripper spacing | 0.16            | 3,300'      | 60 lbs.         | 1,005 lbs.        | Call for Quote   |                |

# THINWALL DRIPLINES



|             |                 |                |           |                 |
|-------------|-----------------|----------------|-----------|-----------------|
| <b>SLXF</b> | 638             | 08             | .16       | -12             |
|             | Inside Diameter | Wall Thickness | Flow Code | Dripper Spacing |

### ORDERING EXAMPLE

Streamline X 638, 8 mil wall thickness, 0.16 GPH flow rate, 12" dripper spacing

- Model Number: SLXF63808.16-12



### NOMINAL FLOW RATES

Based on 10 psi inlet

| Flow Rate (GPH) | Flow Code |
|-----------------|-----------|
| 0.07            | 07        |
| 0.16            | 16        |
| 0.24            | 2         |
| 0.36            | 4         |

Substitute Flow Code listed above

## STREAMLINE™ X 630 SERIES

Call Netafim USA Customer Service for delivery timelines



| Model Number                                   | Description         | Reel Length | Weight per Reel | Weight per Pallet | Price Per 1,000' | Price Per Reel |
|--|---------------------|-------------|-----------------|-------------------|------------------|----------------|
| <b>5 Mil Wall Thickness - 0.638" Diameter</b>  |                     |             |                 |                   |                  |                |
| SLXF63805.X-08                                 | 8" dripper spacing  | 13,000'     | 58 lbs.         | 973 lbs.          |                  |                |
| SLXF63805.X-09                                 | 9" dripper spacing  | 13,000'     | 58 lbs.         | 973 lbs.          |                  |                |
| SLXF63805.X-10                                 | 10" dripper spacing | 13,000'     | 58 lbs.         | 973 lbs.          |                  |                |
| SLXF63805.X-12                                 | 12" dripper spacing | 13,000'     | 58 lbs.         | 973 lbs.          | Call for Quote   |                |
| SLXF63805.X-14                                 | 14" dripper spacing | 13,000'     | 58 lbs.         | 973 lbs.          |                  |                |
| SLXF63805.X-16                                 | 16" dripper spacing | 13,000'     | 58 lbs.         | 973 lbs.          |                  |                |
| SLXF63805.X-18                                 | 18" dripper spacing | 13,000'     | 58 lbs.         | 973 lbs.          |                  |                |
| SLXF63805.X-24                                 | 24" dripper spacing | 13,000'     | 58 lbs.         | 973 lbs.          |                  |                |
| <b>6 Mil Wall Thickness - 0.638" Diameter</b>  |                     |             |                 |                   |                  |                |
| SLXF63806.X-08                                 | 8" dripper spacing  | 10,500'     | 59 lbs.         | 989 lbs.          |                  |                |
| SLXF63806.X-09                                 | 9" dripper spacing  | 10,500'     | 59 lbs.         | 989 lbs.          |                  |                |
| SLXF63806.X-10                                 | 10" dripper spacing | 11,500'     | 63 lbs.         | 1,053 lbs.        |                  |                |
| SLXF63806.X-12                                 | 12" dripper spacing | 11,500'     | 63 lbs.         | 1,053 lbs.        | Call for Quote   |                |
| SLXF63806.X-14                                 | 14" dripper spacing | 11,500'     | 63 lbs.         | 1,053 lbs.        |                  |                |
| SLXF63806.X-16                                 | 16" dripper spacing | 11,500'     | 63 lbs.         | 1,053 lbs.        |                  |                |
| SLXF63806.X-18                                 | 18" dripper spacing | 11,500'     | 63 lbs.         | 1,053 lbs.        |                  |                |
| SLXF63806.X-24                                 | 24" dripper spacing | 11,500'     | 63 lbs.         | 1,053 lbs.        |                  |                |
| <b>8 Mil Wall Thickness - 0.638" Diameter</b>  |                     |             |                 |                   |                  |                |
| SLXF63808.X-08                                 | 8" dripper spacing  | 8,000'      | 54 lbs.         | 909 lbs.          |                  |                |
| SLXF63808.X-09                                 | 9" dripper spacing  | 8,000'      | 54 lbs.         | 909 lbs.          |                  |                |
| SLXF63808.X-10                                 | 10" dripper spacing | 9,000'      | 61 lbs.         | 1,021 lbs.        |                  |                |
| SLXF63808.X-12                                 | 12" dripper spacing | 9,000'      | 61 lbs.         | 1,021 lbs.        | Call for Quote   |                |
| SLXF63808.X-14                                 | 14" dripper spacing | 9,000'      | 61 lbs.         | 1,021 lbs.        |                  |                |
| SLXF63808.X-16                                 | 16" dripper spacing | 9,000'      | 61 lbs.         | 1,021 lbs.        |                  |                |
| SLXF63808.X-18                                 | 18" dripper spacing | 9,000'      | 61 lbs.         | 1,021 lbs.        |                  |                |
| SLXF63808.X-24                                 | 24" dripper spacing | 9,000'      | 61 lbs.         | 1,021 lbs.        |                  |                |
| <b>10 Mil Wall Thickness - 0.638" Diameter</b> |                     |             |                 |                   |                  |                |
| SLXF63810.X-08                                 | 8" dripper spacing  | 7,500'      | 65 lbs.         | 1,085 lbs.        |                  |                |
| SLXF63810.X-09                                 | 9" dripper spacing  | 7,500'      | 65 lbs.         | 1,085 lbs.        |                  |                |
| SLXF63810.X-10                                 | 10" dripper spacing | 7,500'      | 65 lbs.         | 1,085 lbs.        |                  |                |
| SLXF63810.X-12                                 | 12" dripper spacing | 7,500'      | 65 lbs.         | 1,085 lbs.        | Call for Quote   |                |
| SLXF63810.X-14                                 | 14" dripper spacing | 7,500'      | 65 lbs.         | 1,085 lbs.        |                  |                |
| SLXF63810.X-16                                 | 16" dripper spacing | 7,500'      | 65 lbs.         | 1,085 lbs.        |                  |                |
| SLXF63810.X-18                                 | 18" dripper spacing | 7,500'      | 65 lbs.         | 1,085 lbs.        |                  |                |
| SLXF63810.X-24                                 | 24" dripper spacing | 7,500'      | 65 lbs.         | 1,085 lbs.        |                  |                |

NOTES: Streamline X is available with or without flap outlet protection. Flap recommended for subsurface row crop applications.

SLXF = Streamline X 630 Series with flap SLX = Streamline X 630 Series without flap  
For GPM per 100' pressure comparisons- refer to the Streamline X Technical Brochure.  
16 reels per pallet. Nominal pallet weight per pallet includes weight of pallet at 45 lbs.

# THINWALL DRIPLINES



|             |                 |                |           |                 |
|-------------|-----------------|----------------|-----------|-----------------|
| <b>SLXF</b> | 875             | 08             | .16       | -12             |
|             | Inside Diameter | Wall Thickness | Flow Code | Dripper Spacing |

## ORDERING EXAMPLE

Streamline X 875, 8 mil wall thickness, 0.16 GPH flow rate, 12" dripper spacing

- Model Number: SLXF87508.16-12

**NEW**

## NOMINAL FLOW RATES

Based on 10 psi inlet

| Flow Rate (GPH) | Flow Code |
|-----------------|-----------|
| 0.07            | 07        |
| 0.16            | 16        |
| 0.24            | 2         |
| 0.36            | 4         |

Substitute Flow Code listed above

## STREAMLINE™ X 875 SERIES

Call Netafim USA Customer Service for delivery timelines

(F)

| Model Number                                   | Description         | Reel Length | Weight per Reel | Weight per Pallet | Price Per 1,000' | Price Per Reel |
|--|---------------------|-------------|-----------------|-------------------|------------------|----------------|
| <b>6 Mil Wall Thickness - 0.875" Diameter</b>  |                     |             |                 |                   |                  |                |
| SLXF87506.X-08                                 | 8" dripper spacing  | 8,000'      | 60 lbs.         | 1,005 lbs.        |                  |                |
| SLXF87506.X-10                                 | 10" dripper spacing | 8,000'      | 60 lbs.         | 1,005 lbs.        |                  |                |
| SLXF87506.X-12                                 | 12" dripper spacing | 8,000'      | 60 lbs.         | 1,005 lbs.        | Call for Quote   |                |
| SLXF87506.X-14                                 | 14" dripper spacing | 8,000'      | 60 lbs.         | 1,005 lbs.        |                  |                |
| SLXF87506.X-16                                 | 16" dripper spacing | 8,000'      | 60 lbs.         | 1,005 lbs.        |                  |                |
| SLXF87506.X-18                                 | 18" dripper spacing | 8,000'      | 60 lbs.         | 1,005 lbs.        |                  |                |
| <b>8 Mil Wall Thickness - 0.875" Diameter</b>  |                     |             |                 |                   |                  |                |
| SLXF87508.X-08                                 | 8" dripper spacing  | 6,000'      | 56 lbs.         | 941 lbs.          |                  |                |
| SLXF87508.X-10                                 | 10" dripper spacing | 6,000'      | 56 lbs.         | 941 lbs.          |                  |                |
| SLXF87508.X-12                                 | 12" dripper spacing | 6,000'      | 56 lbs.         | 941 lbs.          | Call for Quote   |                |
| SLXF87508.X-14                                 | 14" dripper spacing | 6,000'      | 56 lbs.         | 941 lbs.          |                  |                |
| SLXF87508.X-16                                 | 16" dripper spacing | 6,000'      | 56 lbs.         | 941 lbs.          |                  |                |
| SLXF87508.X-18                                 | 18" dripper spacing | 6,000'      | 56 lbs.         | 941 lbs.          |                  |                |
| <b>10 Mil Wall Thickness - 0.875" Diameter</b> |                     |             |                 |                   |                  |                |
| SLXF87510.X-08                                 | 8" dripper spacing  | 5,000'      | 59 lbs.         | 989 lbs.          |                  |                |
| SLXF87510.X-10                                 | 10" dripper spacing | 5,000'      | 59 lbs.         | 989 lbs.          |                  |                |
| SLXF87510.X-12                                 | 12" dripper spacing | 5,500'      | 65 lbs.         | 1,085 lbs.        | Call for Quote   |                |
| SLXF87510.X-14                                 | 14" dripper spacing | 5,500'      | 65 lbs.         | 1,085 lbs.        |                  |                |
| SLXF87510.X-16                                 | 16" dripper spacing | 5,500'      | 65 lbs.         | 1,085 lbs.        |                  |                |
| SLXF87510.X-18                                 | 18" dripper spacing | 5,500'      | 65 lbs.         | 1,085 lbs.        |                  |                |

NOTES: Streamline X is available with or without flap outlet protection. Flap recommended for subsurface row crop applications.

SLXF = Streamline X 875 Series with flap SLX = Streamline X 875 Series without flap  
For GPM per 100' pressure comparisons- refer to the Streamline X Technical Brochure.  
32 reels per pallet. Nominal pallet weight per pallet includes weight of pallet at 45 lbs.

## MADE TO ORDER PRODUCTS

Products listed in this Price List and not identified on the Quick Selection Guide for Commonly Sold Thinwall Driplines. Minimum order requirement is two (2) pallets or (32) reels.

## CUSTOM PRODUCTS

Products not listed in this Price List. Call Netafim USA Customer Service for quote and delivery timelines. Minimum order requirement is two (2) pallets or (32) reels. No returns on Custom Products.

**NOTE:** **MTO** (Made to Order) - considered products that are not MTS, in other words, not guaranteed to be in stock, and considered to be "Special Order" type products.

**MOQ** (Minimum Order Quantity) - designated products are products that are MTO and are subject to a minimum coil quantity.

# THINWALL DRIPLINES

## STREAMLINE™ X EZ - 875 SERIES (\*\*FORMERLY STREAMLINE X REGEN)

Call Netafim USA Customer Service for delivery timelines

(F)

**NEW**

| Model Number               | Description         | Reel Length | Weight per Reel | Weight per Pallet | Price Per 1,000' | Price Per Reel |
|----------------------------|---------------------|-------------|-----------------|-------------------|------------------|----------------|
| <b>EZ, 0.875" Diameter</b> |                     |             |                 |                   |                  |                |
| SLX875EZ.07-08             | 8" dripper spacing  | 12,000'     | 77 lbs.         | 1,277 lbs.        |                  | Call for Quote |
| SLX875EZ.16-08             | 8" dripper spacing  | 12,000'     | 77 lbs.         | 1,277 lbs.        |                  |                |
| SLX875EZ.16-10             | 10" dripper spacing | 12,000'     | 76 lbs.         | 1,261 lbs.        |                  | Call for Quote |
| SLX875EZ.16-12             | 12" dripper spacing | 12,000'     | 75 lbs.         | 1,245 lbs.        |                  |                |
| SLX875EZ.2-08              | 8" dripper spacing  | 12,000'     | 77 lbs.         | 1,277 lbs.        |                  |                |
| SLX875EZ.2-10              | 10" dripper spacing | 12,000'     | 76 lbs.         | 1,261 lbs.        |                  | Call for Quote |
| SLX875EZ.2-12              | 12" dripper spacing | 12,000'     | 75 lbs.         | 1,245 lbs.        |                  |                |

### MADE TO ORDER PRODUCTS

Products listed in this Price List and not identified on the Quick Selection Guide for Commonly Sold Thinwall Driplines. Minimum order requirement is two (2) pallets or (32) reels.

### CUSTOM PRODUCTS

Products not listed in this Price List. Call Netafim USA Customer Service for quote and delivery timelines. Minimum order requirement is two (2) pallets or (32) reels. No returns on Custom Products.

**NOTE:** **MTO** (Made to Order) - considered products that are not MTS, in other words, not guaranteed to be in stock, and considered to be "Special Order" type products.

**MOQ** (Minimum Order Quantity) - designated products are products that are MTO and are subject to a minimum coil quantity.

## PIONEERLINE™ - PC AND X

Call Netafim USA Customer Service for delivery timelines

| Model Number                                | Description          | Reel Length | Weight per Reel | Weight per Pallet | Price Per 1,000' | Price Per Reel |
|---|----------------------|-------------|-----------------|-------------------|------------------|----------------|
| <b>PioneerLine PC 15 Mil Wall Thickness</b> |                      |             |                 |                   |                  |                |
| PLPCA63615.16-12                            | 636 015 0.16 GPH 12" | 3200'       | 44 lbs.         | 573 lbs.          |                  | Call for Quote |
| PLPCA87515.16-12                            | 875 015 0.16 GPH 12" | 2800'       | 53 lbs.         | 681 lbs.          |                  |                |
| <b>PioneerLine X 8 Mil Wall Thickness</b>   |                      |             |                 |                   |                  |                |
| PLXF63808.16-12                             | 638 008 0.16 GPH 12" | 9000'       | 61 lbs.         | 1021 lbs.         |                  |                |
| PLXF87508.16-12                             | 875 008 0.16 GPH 12" | 6000'       | 56 lbs.         | 941 lbs.          |                  |                |
| PLXF63810.16-12                             | 638 010 0.16 GPH 12" | 7500'       | 65 lbs.         | 1085 lbs.         |                  | Call for Quote |
| PLXF87510.16-12                             | 875 010 0.16 GPH 12" | 5500'       | 65 lbs.         | 1085 lbs.         |                  |                |
| PLXF63808.2-12                              | 638 008 0.20 GPH 12" | 9000'       | 61 lbs.         | 1021 lbs.         |                  |                |



# THINWALL DRIPLINES



|               |                |           |                 |
|---------------|----------------|-----------|-----------------|
| <b>TPF638</b> | 08             | .16       | -18             |
|               | Wall Thickness | Flow Code | Dripper Spacing |

## ORDERING EXAMPLE

Typhoon Plus 638, 8 mil wall thickness, 0.16 GPH flow rate, 18" dripper spacing

- Model Number: TPF6388.16-18

## NOMINAL FLOW RATES

Based on 10 psi inlet

| Flow Rate (GPH) | Flow Code |
|-----------------|-----------|
| 0.11            | .10       |
| 0.16            | .16       |
| 0.22            | .2        |
| 0.36            | .4        |
| 0.49            | .5        |

Substitute Flow Code listed above for X in the Model Number.

## TYPHOON™ PLUS 638 SERIES

Call Netafim USA Customer Service for delivery timelines

(A)

| Model Number                                   | Description         | Reel Length | Weight per Reel | Weight per Pallet | Price Per 1,000' | Price Per Reel |
|--|---------------------|-------------|-----------------|-------------------|------------------|----------------|
| <b>8 Mil Wall Thickness - 0.638" Diameter</b>  |                     |             |                 |                   |                  |                |
| TPF63808.X-08                                  | 8" dripper spacing  | 8,000'      | 59 lbs.         | 989 lbs.          | Call for Quote   |                |
| TPF63808.X-10                                  | 10" dripper spacing | 8,000'      | 59 lbs.         | 989 lbs.          |                  |                |
| TPF63808.X-12                                  | 12" dripper spacing | 8,200'      | 60 lbs.         | 1,005 lbs.        |                  |                |
| TPF63808.X-14                                  | 14" dripper spacing | 8,200'      | 60 lbs.         | 1,005 lbs.        |                  |                |
| TPF63808.X-16                                  | 16" dripper spacing | 8,200'      | 60 lbs.         | 1,005 lbs.        |                  |                |
| TPF63808.X-18                                  | 18" dripper spacing | 8,200'      | 60 lbs.         | 1,005 lbs.        |                  |                |
| TPF63808.X-24                                  | 24" dripper spacing | 8,200'      | 60 lbs.         | 1,005 lbs.        |                  |                |
| <b>10 Mil Wall Thickness - 0.638" Diameter</b> |                     |             |                 |                   |                  |                |
| TPF63810.X-8                                   | 8" dripper spacing  | 6,300'      | 58 lbs.         | 957 lbs.          | Call for Quote   |                |
| TPF63810.X-10                                  | 10" dripper spacing | 6,300'      | 58 lbs.         | 957 lbs.          |                  |                |
| TPF63810.X-12                                  | 12" dripper spacing | 6,600'      | 59 lbs.         | 989 lbs.          |                  |                |
| TPF63810.X-14                                  | 14" dripper spacing | 6,600'      | 59 lbs.         | 989 lbs.          |                  |                |
| TPF63810.X-16                                  | 16" dripper spacing | 6,600'      | 59 lbs.         | 989 lbs.          |                  |                |
| TPF63810.X-18                                  | 18" dripper spacing | 6,600'      | 59 lbs.         | 989 lbs.          |                  |                |
| TPF63810.X-24                                  | 24" dripper spacing | 6,600'      | 59 lbs.         | 989 lbs.          |                  |                |
| TPF63810.X-36                                  | 36" dripper spacing | 6,600'      | 59 lbs.         | 989 lbs.          |                  |                |
| <b>13 Mil Wall Thickness - 0.638" Diameter</b> |                     |             |                 |                   |                  |                |
| TPF63813.X-8                                   | 8" dripper spacing  | 5,000'      | 58 lbs.         | 973 lbs.          | Call for Quote   |                |
| TPF63813.X-10                                  | 10" dripper spacing | 5,000'      | 58 lbs.         | 973 lbs.          |                  |                |
| TPF63813.X-12                                  | 12" dripper spacing | 5,300'      | 58 lbs.         | 973 lbs.          |                  |                |
| TPF63813.X-14                                  | 14" dripper spacing | 5,300'      | 58 lbs.         | 973 lbs.          |                  |                |
| TPF63813.X-16                                  | 16" dripper spacing | 5,300'      | 58 lbs.         | 973 lbs.          |                  |                |
| TPF63813.X-18                                  | 18" dripper spacing | 5,300'      | 58 lbs.         | 973 lbs.          |                  |                |
| TPF63813.X-20                                  | 20" dripper spacing | 5,300'      | 58 lbs.         | 973 lbs.          |                  |                |
| TPF63813.X-24                                  | 24" dripper spacing | 5,300'      | 58 lbs.         | 973 lbs.          |                  |                |
| TPF63813.X-27                                  | 27" dripper spacing | 5,300'      | 58 lbs.         | 973 lbs.          |                  |                |
| TPF63813.X-30                                  | 30" dripper spacing | 5,300'      | 58 lbs.         | 973 lbs.          |                  |                |
| TPF63813.X-36                                  | 36" dripper spacing | 5,300'      | 58 lbs.         | 973 lbs.          |                  |                |

NOTES: Typhoon Plus is available with or without flap outlet protection. Flap recommended for subsurface row crop applications.

TPF = Typhoon Plus 638 Series with flap TP = Typhoon Plus 638 Series without flap  
For GPM per 100' pressure comparisons- refer to the Typhoon Plus Technical Brochure.  
16 reels per pallet. Nominal pallet weight per pallet includes weight of pallet at 45 lbs.

## MADE TO ORDER PRODUCTS

Products listed in this Price List and not identified on the Quick Selection Guide for Commonly Sold Thinwall Driplines. Minimum order requirement is two (2) pallets or (32) reels.

## CUSTOM PRODUCTS

Products not listed in this Price List. Call Netafim USA Customer Service for quote and delivery timelines. Minimum order requirement is two (2) pallet or (32) reels. No returns on Custom Products.

# THINWALL DRIPLINES

## TYPHOON™ PLUS 638 SERIES

Call Netafim USA Customer Service for delivery timelines

(A)

| Model Number                                   | Description         | Reel Length | Weight per Reel | Weight per Pallet | Price Per 1,000' | Price Per Reel |
|--|---------------------|-------------|-----------------|-------------------|------------------|----------------|
| <b>15 Mil Wall Thickness - 0.638" Diameter</b> |                     |             |                 |                   |                  |                |
| TPF63815.X-8                                   | 8" dripper spacing  | 4,000'      | 58 lbs.         | 973 lbs.          |                  |                |
| TPF63815.X-10                                  | 10" dripper spacing | 4,000'      | 58 lbs.         | 973 lbs.          |                  |                |
| TPF63815.X-12                                  | 12" dripper spacing | 4,300'      | 57 lbs.         | 957 lbs.          |                  |                |
| TPF63815.X-14                                  | 14" dripper spacing | 4,300'      | 57 lbs.         | 957 lbs.          |                  |                |
| TPF63815.X-16                                  | 16" dripper spacing | 4,300'      | 57 lbs.         | 957 lbs.          | Call for Quote   |                |
| TPF63815.X-18                                  | 18" dripper spacing | 4,300'      | 57 lbs.         | 957 lbs.          |                  |                |
| TPF63815.X-20                                  | 20" dripper spacing | 4,300'      | 57 lbs.         | 957 lbs.          |                  |                |
| TPF63815.X-24                                  | 24" dripper spacing | 4,300'      | 57 lbs.         | 957 lbs.          |                  |                |
| TPF63815.X-27                                  | 27" dripper spacing | 4,300'      | 57 lbs.         | 957 lbs.          |                  |                |
| TPF63815.X-30                                  | 30" dripper spacing | 4,300'      | 57 lbs.         | 957 lbs.          |                  |                |

NOTES: Typhoon Plus is available with or without flap outlet protection. Flap recommended for subsurface row crop applications.

TPF = Typhoon Plus 638 Series with flap TP = Typhoon Plus 638 Series without flap

For GPM per 100' pressure comparisons- refer to the Typhoon Plus Technical Brochure.

16 reels per pallet. Nominal pallet weight per pallet includes weight of pallet at 45 lbs.

### MADE TO ORDER PRODUCTS

Products listed in this Price List and not identified on the Quick Selection Guide for Commonly Sold Thinwall Driplines. Minimum order requirement is two (2) pallets or (32) reels.

### CUSTOM PRODUCTS

Products not listed in this Price List. Call Netafim USA Customer Service for quote and delivery timelines.

Minimum order requirement is two (2) pallets or (32) reels. No returns on Custom Products.

**NOTE:** **MTO** (Made to Order) - considered products that are not MTS, in other words, not guaranteed to be in stock, and considered to be "Special Order" type products.

**MOQ** (Minimum Order Quantity) - designated products are products that are MTO and are subject to a minimum coil quantity.

# THINWALL DRIPLINES



**TPF875**

|                |           |                 |
|----------------|-----------|-----------------|
| 10             | .16       | -18             |
| Wall Thickness | Flow Code | Dripper Spacing |

**ORDERING EXAMPLE**

Typhoon Plus 875, 10 mil wall thickness, 0.16 GPH flow rate, 18" dripper spacing

- Model Number: TPF87510.16-18

**NOMINAL FLOW RATES**

Based on 10 psi inlet

| Flow Rate (GPH) | Flow Code |
|-----------------|-----------|
| 0.11            | .10       |
| 0.16            | .16       |
| 0.22            | .2        |
| 0.36            | .4        |
| 0.49            | .5        |

Substitute Flow Code listed above for X in the Model Number.

**TYPHOON™ PLUS 875 SERIES**

Call Netafim USA Customer Service for delivery timelines

(A)

| Model Number                                   | Description         | Reel Length | Weight per Reel | Weight per Pallet | Price Per 1,000' | Price Per Reel |
|--|---------------------|-------------|-----------------|-------------------|------------------|----------------|
| <b>8 Mil Wall Thickness - 0.875" Diameter</b>  |                     |             |                 |                   |                  |                |
| TPF87508.X-08                                  | 8" dripper spacing  | 6,000'      | 59 lbs.         | 989 lbs.          |                  |                |
| TPF87508.X-10                                  | 10" dripper spacing | 6,000'      | 59 lbs.         | 989 lbs.          |                  |                |
| TPF87508.X-12                                  | 12" dripper spacing | 6,200'      | 61 lbs.         | 1,021 lbs.        |                  |                |
| TPF87508.X-14                                  | 14" dripper spacing | 6,200'      | 61 lbs.         | 1,021 lbs.        | Call for Quote   |                |
| TPF87508.X-16                                  | 16" dripper spacing | 6,200'      | 61 lbs.         | 1,021 lbs.        |                  |                |
| TPF87508.X-18                                  | 18" dripper spacing | 6,200'      | 61 lbs.         | 1,021 lbs.        |                  |                |
| TPF87508.X-24                                  | 24" dripper spacing | 6,200'      | 61 lbs.         | 1,021 lbs.        |                  |                |
| <b>10 Mil Wall Thickness - 0.875" Diameter</b> |                     |             |                 |                   |                  |                |
| TPF87510.X-8                                   | 8" dripper spacing  | 4,600'      | 57 lbs.         | 957 lbs.          |                  |                |
| TPF87510.X-10                                  | 10" dripper spacing | 4,600'      | 57 lbs.         | 957 lbs.          |                  |                |
| TPF87510.X-12                                  | 12" dripper spacing | 5,000'      | 60 lbs.         | 1,005 lbs.        |                  |                |
| TPF87510.X-14                                  | 14" dripper spacing | 5,000'      | 60 lbs.         | 1,005 lbs.        | Call for Quote   |                |
| TPF87510.X-16                                  | 16" dripper spacing | 5,000'      | 60 lbs.         | 1,005 lbs.        |                  |                |
| TPF87510.X-18                                  | 18" dripper spacing | 5,000'      | 60 lbs.         | 1,005 lbs.        |                  |                |
| TPF87510.X-24                                  | 24" dripper spacing | 5,000'      | 60 lbs.         | 1,005 lbs.        |                  |                |
| TPF87510.X-36                                  | 36" dripper spacing | 5,000'      | 60 lbs.         | 1,005 lbs.        |                  |                |
| <b>13 Mil Wall Thickness - 0.875" Diameter</b> |                     |             |                 |                   |                  |                |
| TPF87513.X-8                                   | 8" dripper spacing  | 3,600'      | 59 lbs.         | 989 lbs.          |                  |                |
| TPF87513.X-10                                  | 10" dripper spacing | 3,600'      | 59 lbs.         | 989 lbs.          |                  |                |
| TPF87513.X-12                                  | 12" dripper spacing | 3,600'      | 60 lbs.         | 1,005 lbs.        |                  |                |
| TPF87513.X-14                                  | 14" dripper spacing | 3,600'      | 60 lbs.         | 1,005 lbs.        |                  |                |
| TPF87513.X-16                                  | 16" dripper spacing | 3,600'      | 60 lbs.         | 1,005 lbs.        |                  |                |
| TPF87513.X-18                                  | 18" dripper spacing | 3,600'      | 60 lbs.         | 1,005 lbs.        | Call for Quote   |                |
| TPF87513.X-20                                  | 20" dripper spacing | 3,600'      | 60 lbs.         | 1,005 lbs.        |                  |                |
| TPF87513.X-24                                  | 24" dripper spacing | 3,600'      | 60 lbs.         | 1,005 lbs.        |                  |                |
| TPF87513.X-27                                  | 27" dripper spacing | 3,600'      | 60 lbs.         | 1,005 lbs.        |                  |                |
| TPF87513.X-30                                  | 30" dripper spacing | 3,600'      | 60 lbs.         | 1,005 lbs.        |                  |                |
| TPF87513.X-36                                  | 36" dripper spacing | 3,600'      | 60 lbs.         | 1,005 lbs.        |                  |                |

NOTES: Typhoon Plus is available with or without flap outlet protection. Flap recommended for subsurface row crop applications.

TPF = Typhoon Plus 875 Series with flap TP = Typhoon Plus 875 Series without flap  
 For GPM per 100' pressure comparisons- refer to the Typhoon Plus Technical Brochure.  
 16 reels per pallet. Nominal pallet weight per pallet includes weight of pallet at 45 lbs.

**MADE TO ORDER PRODUCTS**

Products listed in this Price List and not identified on the Quick Selection Guide for Commonly Sold Thinwall Driplines. Minimum order requirement is two (2) pallets or (32) reels.

**CUSTOM PRODUCTS**

Products not listed in this Price List. Call Netafim USA Customer Service for quote and delivery timelines. Minimum order requirement is two (2) pallets or (32) reels. No returns on Custom Products.



# THINWALL DRIPLINES

## TYPHOON™ PLUS 875 SERIES

Call Netafim USA Customer Service for delivery timelines

(A)

| Model Number                                   | Description         | Reel Length | Weight per Reel | Weight per Pallet | Price Per 1,000' | Price Per Reel |
|--|---------------------|-------------|-----------------|-------------------|------------------|----------------|
| <b>15 Mil Wall Thickness - 0.875" Diameter</b> |                     |             |                 |                   |                  |                |
| TPF87515.X-8                                   | 8" dripper spacing  | 3,300'      | 61 lbs.         | 1,021 lbs.        |                  |                |
| TPF87515.X-10                                  | 10" dripper spacing | 3,300'      | 61 lbs.         | 1,021 lbs.        |                  |                |
| TPF87515.X-12                                  | 12" dripper spacing | 3,300'      | 60 lbs.         | 1,005 lbs.        |                  |                |
| TPF87515.X-14                                  | 14" dripper spacing | 3,300'      | 60 lbs.         | 1,005 lbs.        |                  |                |
| TPF87515.X-16                                  | 16" dripper spacing | 3,300'      | 60 lbs.         | 1,005 lbs.        | Call for Quote   |                |
| TPF87515.X-18                                  | 18" dripper spacing | 3,300'      | 60 lbs.         | 1,005 lbs.        |                  |                |
| TPF87515.X-20                                  | 20" dripper spacing | 3,300'      | 60 lbs.         | 1,005 lbs.        |                  |                |
| TPF87515.X-24                                  | 24" dripper spacing | 3,300'      | 60 lbs.         | 1,005 lbs.        |                  |                |
| TPF87515.X-27                                  | 27" dripper spacing | 3,300'      | 60 lbs.         | 1,005 lbs.        |                  |                |
| TPF87515.X-30                                  | 30" dripper spacing | 3,300'      | 60 lbs.         | 1,005 lbs.        |                  |                |

NOTES: Typhoon Plus is available with or without flap outlet protection. Flap recommended for subsurface row crop applications.

TPF = Typhoon Plus 875 Series with flap TP = Typhoon Plus 875 Series without flap  
For GPM per 100' pressure comparisons- refer to the Typhoon Plus Technical Brochure.  
16 reels per pallet. Nominal pallet weight per pallet includes weight of pallet at 45 lbs.

### MADE TO ORDER PRODUCTS

Products listed in this Price List and not identified on the Quick Selection Guide for Commonly Sold Thinwall Driplines. Minimum order requirement is two (2) pallets or (32) reels.

### CUSTOM PRODUCTS

Products not listed in this Price List. Call Netafim USA Customer Service for quote and delivery timelines. Minimum order requirement is two (2) pallets or (32) reels. No returns on Custom Products.

**NOTE:** **MTO** (Made to Order) - considered products that are not MTS, in other words, not guaranteed to be in stock, and considered to be "Special Order" type products.

**MOQ** (Minimum Order Quantity) - designated products are products that are MTO and are subject to a minimum coil quantity.



# THINWALL DRIPLINES



|               |                |           |                 |
|---------------|----------------|-----------|-----------------|
| <b>TPF990</b> | 13             | .16       | -18             |
|               | Wall Thickness | Flow Code | Dripper Spacing |

### ORDERING EXAMPLE

Typhoon Plus 990, 13 mil wall thickness, 0.16 GPH flow rate, 18" dripper spacing

- Model Number: TPF99013.16-18

### NOMINAL FLOW RATES

Based on 10 psi inlet

| Flow Rate (GPH) | Flow Code |
|-----------------|-----------|
| 0.11            | .10       |
| 0.16            | .16       |
| 0.22            | .2        |
| 0.36            | .4        |
| 0.49            | .5        |

Substitute Flow Code listed above for **X** in the Model Number.

## TYPHOON™ PLUS 990 SERIES

Call Netafim USA Customer Service for delivery timelines



| Model Number                                   | Description         | Reel Length | Weight per Reel | Weight per Pallet | Price Per 1,000' | Price Per Reel |
|--|---------------------|-------------|-----------------|-------------------|------------------|----------------|
| <b>13 Mil Wall Thickness - 0.990" Diameter</b> |                     |             |                 |                   |                  |                |
| TPF99013.X-12                                  | 12" dripper spacing | 3,300'      | 60 lbs.         | 1,005 lbs.        | Call for Quote   |                |
| TPF99013.X-14                                  | 14" dripper spacing | 3,300'      | 60 lbs.         | 1,005 lbs.        |                  |                |
| TPF99013.X-16                                  | 16" dripper spacing | 3,300'      | 60 lbs.         | 1,005 lbs.        |                  |                |
| TPF99013.X-18                                  | 18" dripper spacing | 3,300'      | 60 lbs.         | 1,005 lbs.        |                  |                |
| TPF99013.X-20                                  | 20" dripper spacing | 3,300'      | 60 lbs.         | 1,005 lbs.        |                  |                |
| TPF99013.X-24                                  | 24" dripper spacing | 3,300'      | 60 lbs.         | 1,005 lbs.        |                  |                |
| TPF99013.X-36                                  | 36" dripper spacing | 3,300'      | 60 lbs.         | 1,005 lbs.        |                  |                |
| <b>15 Mil Wall Thickness - 0.990" Diameter</b> |                     |             |                 |                   |                  |                |
| TPF99015.X-12                                  | 12" dripper spacing | 3,000'      | 60 lbs.         | 1,005 lbs.        | Call for Quote   |                |
| TPF99015.X-14                                  | 14" dripper spacing | 3,000'      | 60 lbs.         | 1,005 lbs.        |                  |                |
| TPF99015.X-16                                  | 16" dripper spacing | 3,000'      | 60 lbs.         | 1,005 lbs.        |                  |                |
| TPF99015.X-18                                  | 18" dripper spacing | 3,000'      | 60 lbs.         | 1,005 lbs.        |                  |                |
| TPF99015.X-20                                  | 20" dripper spacing | 3,000'      | 60 lbs.         | 1,005 lbs.        |                  |                |
| TPF99015.X-24                                  | 24" dripper spacing | 3,000'      | 60 lbs.         | 1,005 lbs.        |                  |                |
| TPF99015.X-36                                  | 36" dripper spacing | 3,000'      | 60 lbs.         | 1,005 lbs.        |                  |                |

NOTES: Typhoon Plus is available with or without flap outlet protection. Flap recommended for subsurface row crop applications.

TPF = Typhoon Plus 990 Series with flap TP = Typhoon Plus 990 Series without flap

For GPM per 100' pressure comparisons- refer to the Typhoon Plus Technical Brochure.

16 reels per pallet. Nominal pallet weight per pallet includes weight of pallet at 45 lbs.

### MADE TO ORDER PRODUCTS

Products listed in this Price List and not identified on the Quick Selection Guide for Commonly Sold Thinwall Driplines. Minimum order requirement is two (2) pallets or (32) reels.

### CUSTOM PRODUCTS

Products not listed in this Price List. Call Netafim USA Customer Service for quote and delivery timelines.

Minimum order requirement is two (2) pallets or (32) reels. No returns on Custom Products.

**NOTE:** **MTO** (Made to Order) - considered products that are not MTS, in other words, not guaranteed to be in stock, and considered to be "Special Order" type products.

**MOQ** (Minimum Order Quantity) - designated products are products that are MTO and are subject to a minimum coil quantity.

# THINWALL DRIPLINES



**TPF113**  
OR  
**TPF138**

|                |           |                 |
|----------------|-----------|-----------------|
| 15             | .16       | -24             |
| Wall Thickness | Flow Code | Dripper Spacing |

## ORDERING EXAMPLE

Typhoon Plus 1 1/8 or 1 3/8, 15 mil wall thickness, 0.16 GPH flow rate, 24" dripper spacing

- Model Number: TPF11315.16-24 or
- Model Number: TPF13815.16-24

## NOMINAL FLOW RATES

Based on 10 psi inlet

| Flow Rate (GPH) | Flow Code |
|-----------------|-----------|
| 0.11            | .10       |
| 0.16            | .16       |
| 0.22            | .2        |
| 0.36            | .4        |
| 0.49            | .5        |

Substitute Flow Code listed above for **X** in the Model Number.

## TYPHOON™ PLUS 1 1/8 SERIES

Call Netafim USA Customer Service for delivery timelines

(A)

| Model Number                                   | Description         | Reel Length | Weight per Reel | Weight per Pallet | Price Per 1,000' | Price Per Reel |
|--|---------------------|-------------|-----------------|-------------------|------------------|----------------|
| <b>13 Mil Wall Thickness - 1.125" Diameter</b> |                     |             |                 |                   |                  |                |
| TPF11313.X-12                                  | 12" dripper spacing | 3,300'      | 58 lbs.         | 973 lbs.          |                  |                |
| TPF11313.X-14                                  | 14" dripper spacing | 3,300'      | 58 lbs.         | 973 lbs.          |                  |                |
| TPF11313.X-16                                  | 16" dripper spacing | 3,300'      | 58 lbs.         | 973 lbs.          |                  |                |
| TPF11313.X-18                                  | 18" dripper spacing | 3,300'      | 58 lbs.         | 973 lbs.          |                  | Call for Quote |
| TPF11313.X-20                                  | 20" dripper spacing | 3,300'      | 58 lbs.         | 973 lbs.          |                  |                |
| TPF11313.X-24                                  | 24" dripper spacing | 3,300'      | 58 lbs.         | 973 lbs.          |                  |                |
| TPF11313.X-36                                  | 36" dripper spacing | 3,300'      | 58 lbs.         | 973 lbs.          |                  |                |
| <b>15 Mil Wall Thickness - 1.125" Diameter</b> |                     |             |                 |                   |                  |                |
| TPF11315.X-12                                  | 12" dripper spacing | 2,700'      | 64 lbs.         | 1,069 lbs.        |                  |                |
| TPF11315.X-14                                  | 14" dripper spacing | 2,700'      | 64 lbs.         | 1,069 lbs.        |                  |                |
| TPF11315.X-16                                  | 16" dripper spacing | 2,700'      | 64 lbs.         | 1,069 lbs.        |                  | Call for Quote |
| TPF11315.X-18                                  | 18" dripper spacing | 2,700'      | 64 lbs.         | 1,069 lbs.        |                  |                |
| TPF11315.X-20                                  | 20" dripper spacing | 2,700'      | 64 lbs.         | 1,069 lbs.        |                  |                |
| TPF11315.X-24                                  | 24" dripper spacing | 2,700'      | 64 lbs.         | 1,069 lbs.        |                  |                |

## TYPHOON™ PLUS 1 3/8" SERIES

Call Netafim USA Customer Service for delivery timelines

(A)

| Model Number                                   | Description         | Reel Length | Weight per Reel | Weight per Pallet | Price Per 1,000' | Price Per Reel |
|--|---------------------|-------------|-----------------|-------------------|------------------|----------------|
| <b>15 Mil Wall Thickness - 1.375" Diameter</b> |                     |             |                 |                   |                  |                |
| TPF13815.X-12                                  | 12" dripper spacing | 2,700'      | 77 lbs.         | 969 lbs.          |                  |                |
| TPF13815.X-14                                  | 14" dripper spacing | 2,700'      | 77 lbs.         | 969 lbs.          |                  | Call for Quote |
| TPF13815.X-24                                  | 24" dripper spacing | 2,700'      | 77 lbs.         | 969 lbs.          |                  |                |

NOTES: Typhoon Plus is available with or without flap outlet protection. Flap recommended for subsurface row crop applications.  
 TPF = Typhoon Plus 1 1/8" and 1 3/8" Series with flap TP = Typhoon Plus 1 1/8" and 1 3/8" Series without flap  
 For GPM per 100' pressure comparisons- refer to the Typhoon Plus Technical Brochure.  
 Typhoon 1 1/8" - 16 reels per pallet. Typhoon Plus 1 3/8" - 12 reels per pallet.  
 Nominal pallet weight per pallet includes weight of pallet at 45 lbs.

### MADE TO ORDER PRODUCTS

Products listed in this Price List and not identified on the Quick Selection Guide for Commonly Sold Thinwall Driplines. Minimum order requirement is two (2) pallets or (24 or 32) reels.

### CUSTOM PRODUCTS

Products not listed in this Price List. Call Netafim USA Customer Service for quote and delivery timelines. Minimum order requirement is two (2) pallets or (24 or 32) reels. No returns on Custom Products.

# THINWALL DRIPLINES



|               |                |           |                 |
|---------------|----------------|-----------|-----------------|
| <b>ARF638</b> | 13             | .18       | -18             |
|               | Wall Thickness | Flow Code | Dripper Spacing |

### ORDERING EXAMPLE

Aries 638, 13 mil wall thickness, 0.18 GPH flow rate, 18" dripper spacing

- Model Number: ARF63813.18-18

### NOMINAL FLOW RATES

Based on 10 psi inlet

| Flow Rate (GPH) | Flow Code |
|-----------------|-----------|
| 0.11            | .1        |
| 0.18            | .18       |
| 0.21            | .2        |
| 0.30            | .3        |
| 0.41            | .4        |
| 0.62            | .6        |

Substitute Flow Code listed above for **X** in the Model Number.

## ARIES™ 638 SERIES

Call Netafim USA Customer Service for delivery timelines

(A)

| Model Number                                   | Description         | Reel Length | Weight per Reel | Weight per Pallet | Price Per 1,000' | Price Per Reel |
|--|---------------------|-------------|-----------------|-------------------|------------------|----------------|
| <b>13 Mil Wall Thickness - 0.638" Diameter</b> |                     |             |                 |                   |                  |                |
| ARF63813.X-12                                  | 12" dripper spacing | 3,600'      | 47 lbs.         | 797 lbs.          | Call for Quote   |                |
| ARF63813.X-14                                  | 14" dripper spacing | 3,600'      | 47 lbs.         | 797 lbs.          |                  |                |
| ARF63813.X-16                                  | 16" dripper spacing | 3,600'      | 47 lbs.         | 797 lbs.          |                  |                |
| ARF63813.X-18                                  | 18" dripper spacing | 3,600'      | 47 lbs.         | 797 lbs.          |                  |                |
| ARF63813.X-20                                  | 20" dripper spacing | 3,600'      | 47 lbs.         | 797 lbs.          |                  |                |
| ARF63813.X-24                                  | 24" dripper spacing | 3,600'      | 47 lbs.         | 797 lbs.          |                  |                |
| ARF63813.X-27                                  | 27" dripper spacing | 3,600'      | 47 lbs.         | 797 lbs.          |                  |                |
| ARF63813.X-30                                  | 30" dripper spacing | 3,600'      | 47 lbs.         | 797 lbs.          |                  |                |
| ARF63813.X-36                                  | 36" dripper spacing | 3,600'      | 47 lbs.         | 797 lbs.          |                  |                |
| <b>15 Mil Wall Thickness - 0.638" Diameter</b> |                     |             |                 |                   |                  |                |
| ARF63815.X-12                                  | 12" dripper spacing | 3,300'      | 47 lbs.         | 797 lbs.          | Call for Quote   |                |
| ARF63815.X-14                                  | 14" dripper spacing | 3,300'      | 47 lbs.         | 797 lbs.          |                  |                |
| ARF63815.X-16                                  | 16" dripper spacing | 3,300'      | 47 lbs.         | 797 lbs.          |                  |                |
| ARF63815.X-18                                  | 18" dripper spacing | 3,300'      | 47 lbs.         | 797 lbs.          |                  |                |
| ARF63815.X-20                                  | 20" dripper spacing | 3,300'      | 47 lbs.         | 797 lbs.          |                  |                |
| ARF63815.X-24                                  | 24" dripper spacing | 3,300'      | 47 lbs.         | 797 lbs.          |                  |                |
| ARF63815.X-27                                  | 27" dripper spacing | 3,300'      | 47 lbs.         | 797 lbs.          |                  |                |
| ARF63815.X-30                                  | 30" dripper spacing | 3,300'      | 47 lbs.         | 797 lbs.          |                  |                |
| ARF63815.X-36                                  | 36" dripper spacing | 3,300'      | 47 lbs.         | 797 lbs.          |                  |                |

NOTES: Aries is available with or without flap outlet protection. Flap recommended for subsurface row crop applications.

ARF = Aries 638 Series with flap AR = Aries 638 Series without flap

For GPM per 100' pressure comparisons- refer to the Aries Technical Brochure.

16 reels per pallet. Nominal pallet weight per pallet includes weight of pallet at 45 lbs.

### MADE TO ORDER PRODUCTS

Products listed in this Price List and not identified on the Quick Selection Guide for Commonly Sold Thinwall Driplines. Minimum order requirement is two (2) pallets or (32) reels.

### CUSTOM PRODUCTS

Products not listed in this Price List. Call Netafim USA Customer Service for quote and delivery timelines. Minimum order requirement is two (2) pallets or (32) reels. No returns on Custom Products.

**NOTE:** **MTO** (Made to Order) - considered products that are not MTS, in other words, not guaranteed to be in stock, and considered to be "Special Order" type products.

**MOQ** (Minimum Order Quantity) - designated products are products that are MTO and are subject to a minimum coil quantity.

# THINWALL DRIPLINES



|               |                |           |                 |
|---------------|----------------|-----------|-----------------|
| <b>ARF875</b> | 15             | .2        | -18             |
|               | Wall Thickness | Flow Code | Dripper Spacing |

### ORDERING EXAMPLE

Aries 875, 15 mil wall thickness, 0.21 GPH flow rate, 18" dripper spacing

- Model Number: ARF87515.2-18

### NOMINAL FLOW RATES

Based on 10 psi inlet

| Flow Rate (GPH) | Flow Code |
|-----------------|-----------|
| 0.11            | .1        |
| 0.18            | .18       |
| 0.21            | .2        |
| 0.30            | .3        |
| 0.41            | .4        |
| 0.62            | .6        |

Substitute Flow Code listed above for **X** in the Model Number.

## ARIES™ 875 SERIES

Call Netafim USA Customer Service for delivery timelines

(A)

| Model Number                                   | Description         | Reel Length | Weight per Reel | Weight per Pallet | Price Per 1,000' | Price Per Reel |
|--|---------------------|-------------|-----------------|-------------------|------------------|----------------|
| <b>13 Mil Wall Thickness - 0.875" Diameter</b> |                     |             |                 |                   |                  |                |
| ARF87513.X-12                                  | 12" dripper spacing | 3,000'      | 51 lbs.         | 861 lbs.          | Call for Quote   |                |
| ARF87513.X-14                                  | 14" dripper spacing | 3,000'      | 51 lbs.         | 861 lbs.          |                  |                |
| ARF87513.X-16                                  | 16" dripper spacing | 3,000'      | 51 lbs.         | 861 lbs.          |                  |                |
| ARF87513.X-18                                  | 18" dripper spacing | 3,000'      | 51 lbs.         | 861 lbs.          |                  |                |
| ARF87513.X-20                                  | 20" dripper spacing | 3,000'      | 51 lbs.         | 861 lbs.          |                  |                |
| ARF87513.X-24                                  | 24" dripper spacing | 3,000'      | 51 lbs.         | 861 lbs.          |                  |                |
| ARF87513.X-27                                  | 27" dripper spacing | 3,000'      | 51 lbs.         | 861 lbs.          |                  |                |
| ARF87513.X-30                                  | 30" dripper spacing | 3,000'      | 51 lbs.         | 861 lbs.          |                  |                |
| ARF87513.X-36                                  | 36" dripper spacing | 3,000'      | 51 lbs.         | 861 lbs.          |                  |                |
| <b>15 Mil Wall Thickness - 0.875" Diameter</b> |                     |             |                 |                   |                  |                |
| ARF87515.X-12                                  | 12" dripper spacing | 2,700'      | 51 lbs.         | 861 lbs.          | Call for Quote   |                |
| ARF87515.X-14                                  | 14" dripper spacing | 2,700'      | 51 lbs.         | 861 lbs.          |                  |                |
| ARF87515.X-16                                  | 16" dripper spacing | 2,700'      | 51 lbs.         | 861 lbs.          |                  |                |
| ARF87515.X-18                                  | 18" dripper spacing | 2,700'      | 51 lbs.         | 861 lbs.          |                  |                |
| ARF87515.X-20                                  | 20" dripper spacing | 2,700'      | 51 lbs.         | 861 lbs.          |                  |                |
| ARF87515.X-24                                  | 24" dripper spacing | 2,700'      | 51 lbs.         | 861 lbs.          |                  |                |
| ARF87515.X-27                                  | 27" dripper spacing | 2,700'      | 51 lbs.         | 861 lbs.          |                  |                |
| ARF87515.X-30                                  | 30" dripper spacing | 2,700'      | 51 lbs.         | 861 lbs.          |                  |                |
| ARF87515.X-36                                  | 36" dripper spacing | 2,700'      | 51 lbs.         | 861 lbs.          |                  |                |

NOTES: Aries is available with or without flap outlet protection. Flap recommended for subsurface row crop applications.

ARF = Aries 875 Series with flap AR = Aries 875 Series without flap

For GPM per 100' pressure comparisons- refer to the Aries Technical Brochure.

16 reels per pallet. Nominal pallet weight per pallet includes weight of pallet at 45 lbs.

### MADE TO ORDER PRODUCTS

Products listed in this Price List and not identified on the Quick Selection Guide for Commonly Sold Thinwall Driplines. Minimum order requirement is two (2) pallets or (32) reels.

### CUSTOM PRODUCTS

Products not listed in this Price List. Call Netafim USA Customer Service for quote and delivery timelines.

Minimum order requirement is two (2) pallets or (32) reels. No returns on Custom Products.

**NOTE:** **MTO** (Made to Order) - considered products that are not MTS, in other words, not guaranteed to be in stock, and considered to be "Special Order" type products.

**MOQ** (Minimum Order Quantity) - designated products are products that are MTO and are subject to a minimum coil quantity.

# THINWALL DRIPLINES



|               |                |           |                 |
|---------------|----------------|-----------|-----------------|
| <b>ARF990</b> | 13             | .18       | -18             |
|               | Wall Thickness | Flow Code | Dripper Spacing |

## ORDERING EXAMPLE

Aries 990, 13 mil wall thickness, 0.18 GPH flow rate, 18" dripper spacing

- Model Number: ARF99013.18-18

## NOMINAL FLOW RATES

Based on 10 psi inlet

| Flow Rate (GPH) | Flow Code |
|-----------------|-----------|
| 0.11            | .1        |
| 0.18            | .18       |
| 0.21            | .2        |
| 0.30            | .3        |
| 0.41            | .4        |
| 0.62            | .6        |

Substitute Flow Code listed above for **X** in the Model Number.

## ARIES™ 990 SERIES

Call Netafim USA Customer Service for delivery timelines

(A)

| Model Number                                   | Description         | Reel Length | Weight per Reel | Weight per Pallet | Price Per 1,000' | Price Per Reel |
|--|---------------------|-------------|-----------------|-------------------|------------------|----------------|
| <b>13 Mil Wall Thickness - 0.990" Diameter</b> |                     |             |                 |                   |                  |                |
| ARF99013.X-12                                  | 12" dripper spacing | 3,000'      | 52 lbs.         | 877 lbs.          | Call for Quote   |                |
| ARF99013.X-14                                  | 14" dripper spacing | 3,000'      | 52 lbs.         | 877 lbs.          |                  |                |
| ARF99013.X-16                                  | 16" dripper spacing | 3,000'      | 52 lbs.         | 877 lbs.          |                  |                |
| ARF99013.X-18                                  | 18" dripper spacing | 3,000'      | 52 lbs.         | 877 lbs.          |                  |                |
| ARF99013.X-20                                  | 20" dripper spacing | 3,000'      | 52 lbs.         | 877 lbs.          |                  |                |
| ARF99013.X-24                                  | 24" dripper spacing | 3,000'      | 52 lbs.         | 877 lbs.          |                  |                |
| ARF99013.X-27                                  | 27" dripper spacing | 3,000'      | 52 lbs.         | 877 lbs.          |                  |                |
| ARF99013.X-30                                  | 30" dripper spacing | 3,000'      | 52 lbs.         | 877 lbs.          |                  |                |
| ARF99013.X-36                                  | 36" dripper spacing | 3,000'      | 52 lbs.         | 877 lbs.          |                  |                |
| <b>15 Mil Wall Thickness - 0.990" Diameter</b> |                     |             |                 |                   |                  |                |
| ARF99015.X-12                                  | 12" dripper spacing | 2,700'      | 48 lbs.         | 813 lbs.          | Call for Quote   |                |
| ARF99015.X-14                                  | 14" dripper spacing | 2,700'      | 48 lbs.         | 813 lbs.          |                  |                |
| ARF99015.X-16                                  | 16" dripper spacing | 2,700'      | 48 lbs.         | 813 lbs.          |                  |                |
| ARF99015.X-18                                  | 18" dripper spacing | 2,700'      | 48 lbs.         | 813 lbs.          |                  |                |
| ARF99015.X-20                                  | 20" dripper spacing | 2,700'      | 48 lbs.         | 813 lbs.          |                  |                |
| ARF99015.X-24                                  | 24" dripper spacing | 2,700'      | 48 lbs.         | 813 lbs.          |                  |                |
| ARF99015.X-27                                  | 27" dripper spacing | 2,700'      | 48 lbs.         | 813 lbs.          |                  |                |
| ARF99015.X-30                                  | 30" dripper spacing | 2,700'      | 48 lbs.         | 813 lbs.          |                  |                |
| ARF99015.X-36                                  | 36" dripper spacing | 2,700'      | 48 lbs.         | 813 lbs.          |                  |                |

NOTES: Aries is available with or without flap outlet protection. Flap recommended for subsurface row crop applications.

ARF = Aries 990 Series with flap AR = Aries 990 Series without flap

For GPM per 100' pressure comparisons- refer to the Aries Technical Brochure.

16 reels per pallet. Nominal pallet weight per pallet includes weight of pallet at 45 lbs.

## MADE TO ORDER PRODUCTS

Products listed in this Price List and not identified on the Quick Selection Guide for Commonly Sold Thinwall Driplines. Minimum order requirement is two (2) pallets or (32) reels.

## CUSTOM PRODUCTS

Products not listed in this Price List. Call Netafim USA Customer Service for quote and delivery timelines.

Minimum order requirement is two (2) pallets or (32) reels. No returns on Custom Products.

**NOTE:** **MTO** (Made to Order) - considered products that are not MTS, in other words, not guaranteed to be in stock, and considered to be "Special Order" type products.

**MOQ** (Minimum Order Quantity) - designated products are products that are MTO and are subject to a minimum coil quantity.

# THINWALL DRIPLINES



|                                      |                   |              |                    |
|--------------------------------------|-------------------|--------------|--------------------|
| <b>ARF113</b><br>OR<br><b>ARF138</b> | 15                | .3           | -24                |
|                                      | Wall<br>Thickness | Flow<br>Code | Dripper<br>Spacing |

## ORDERING EXAMPLE

Aries 1 1/8 or 1 3/8, 15 mil wall thickness, 0.30 GPH flow rate, 24" dripper spacing

- Model Number: ARF11315.3-24 or
- Model Number: ARF13815.3-24

## NOMINAL FLOW RATES

Based on 10 psi inlet

| Flow Rate (GPH) | Flow Code |
|-----------------|-----------|
| 0.11            | .1        |
| 0.18            | .18       |
| 0.21            | .2        |
| 0.30            | .3        |
| 0.41            | .4        |
| 0.62            | .6        |

Substitute Flow Code listed above for **X** in the Model Number.

## ARIES™ 1 1/8" SERIES

Call Netafim USA Customer Service for delivery timelines (A)

| Model Number                                   | Description         | Reel Length | Weight per Reel | Weight per Pallet | Price Per 1,000' | Price Per Reel |
|--|---------------------|-------------|-----------------|-------------------|------------------|----------------|
| <b>15 Mil Wall Thickness - 1.125" Diameter</b> |                     |             |                 |                   |                  |                |
| ARF11315.X-12                                  | 12" dripper spacing | 2,300'      | 52 lbs.         | 669 lbs.          |                  |                |
| ARF11315.X-14                                  | 14" dripper spacing | 2,300'      | 52 lbs.         | 669 lbs.          |                  |                |
| ARF11315.X-16                                  | 16" dripper spacing | 2,300'      | 52 lbs.         | 669 lbs.          |                  |                |
| ARF11315.X-18                                  | 18" dripper spacing | 2,300'      | 52 lbs.         | 669 lbs.          |                  |                |
| ARF11315.X-20                                  | 20" dripper spacing | 2,300'      | 52 lbs.         | 669 lbs.          | Call for Quote   |                |
| ARF11315.X-24                                  | 24" dripper spacing | 2,300'      | 51 lbs.         | 669 lbs.          |                  |                |
| ARF11315.X-27                                  | 27" dripper spacing | 2,300'      | 52 lbs.         | 669 lbs.          |                  |                |
| ARF11315.X-30                                  | 30" dripper spacing | 2,300'      | 52 lbs.         | 669 lbs.          |                  |                |
| ARF11315.X-36                                  | 36" dripper spacing | 2,300'      | 52 lbs.         | 669 lbs.          |                  |                |

## ARIES™ 1 3/8" SERIES

Call Netafim USA Customer Service for delivery timelines (A)

| Model Number                                   | Description         | Reel Length | Weight per Reel | Weight per Pallet | Price Per 1,000' | Price Per Reel |
|--|---------------------|-------------|-----------------|-------------------|------------------|----------------|
| <b>15 Mil Wall Thickness - 1.375" Diameter</b> |                     |             |                 |                   |                  |                |
| ARF13815.X-12                                  | 12" dripper spacing | 2,700'      | 71 lbs.         | 897 lbs.          |                  |                |
| ARF13815.X-14                                  | 14" dripper spacing | 2,700'      | 71 lbs.         | 897 lbs.          |                  |                |
| ARF13815.X-16                                  | 16" dripper spacing | 2,700'      | 71 lbs.         | 897 lbs.          |                  |                |
| ARF13815.X-18                                  | 18" dripper spacing | 2,700'      | 71 lbs.         | 897 lbs.          |                  |                |
| ARF13815.X-20                                  | 20" dripper spacing | 2,700'      | 71 lbs.         | 897 lbs.          | Call for Quote   |                |
| ARF13815.X-24                                  | 24" dripper spacing | 2,700'      | 71 lbs.         | 897 lbs.          |                  |                |
| ARF13815.X-27                                  | 27" dripper spacing | 2,700'      | 71 lbs.         | 897 lbs.          |                  |                |
| ARF13815.X-30                                  | 30" dripper spacing | 2,700'      | 71 lbs.         | 897 lbs.          |                  |                |
| ARF13815.X-36                                  | 36" dripper spacing | 2,700'      | 71 lbs.         | 897 lbs.          |                  |                |

NOTES: Aries is available with or without flap outlet protection. Flap recommended for subsurface row crop applications.

ARF = Aries 1 1/8" or 1 3/8" Series with flap AR = Aries 1 1/8" or 1 3/8" Series without flap

For GPM per 100' pressure comparisons- refer to the Aries Technical Brochure.

12 reels per pallet. Nominal pallet weight per pallet includes weight of pallet at 45 lbs.

## MADE TO ORDER PRODUCTS

Products listed in this Price List and not identified on the Quick Selection Guide for Commonly Sold Thinwall Driplines. Minimum order requirement is two (2) pallets or (24) reels.

## CUSTOM PRODUCTS

Products not listed in this Price List. Call Netafim USA Customer Service for quote and delivery timelines.

Minimum order requirement is two (2) pallets or (24) reels. No returns on Custom Products.



# THINWALL DRIPLINES



|   |                            |                           |                      |                            |
|---|----------------------------|---------------------------|----------------------|----------------------------|
| <b>06D, 06D,<br/>06DA<br/>OR<br/>06DA</b> | 636                        | 13                        | .16                  | -12                        |
|   | <b>Inside<br/>Diameter</b> | <b>Wall<br/>Thickness</b> | <b>Flow<br/>Code</b> | <b>Dripper<br/>Spacing</b> |

## ORDERING EXAMPLE

DripNet PC, .636" ID, 13 mil wall thickness, 0.16 GPH flow rate, 12" dripper spacing

- Model Number: 06D63613.16-12 (Non Anti-Siphon)
- Model Number: 06DA63613.16-12 (With Anti-Siphon)

## NOMINAL FLOW RATES

Pressure Range 6-36 psi

| Flow Rate (GPH) | Flow Code |
|-----------------|-----------|
| 0.16            | 16        |
| 0.26            | 26        |
| 0.32            | 32        |
| 0.42            | 42        |

Substitute Flow Code listed above for **X** in the Model Number.

## DRIPNET PC™ 636 SERIES NON ANTI-SIPHON

Call Netafim USA Customer Service for delivery timelines

(B)

| Model Number                                   | Description         | Reel Length | Weight per Reel | Weight per Pallet | Price Per 1,000' | Price Per Reel |
|--|---------------------|-------------|-----------------|-------------------|------------------|----------------|
| <b>13 Mil Wall Thickness - 0.636" Diameter</b> |                     |             |                 |                   |                  |                |
| 06D63613.X-12                                  | 12" dripper spacing | 4,000'      | 50 lbs.         | 645 lbs.          | Call for Quote   |                |
| 06D63613.X-14                                  | 14" dripper spacing | 4,000'      | 50 lbs.         | 645 lbs.          |                  |                |
| 06D63613.X-16                                  | 16" dripper spacing | 4,000'      | 50 lbs.         | 645 lbs.          |                  |                |
| 06D63613.X-18                                  | 18" dripper spacing | 4,000'      | 50 lbs.         | 645 lbs.          |                  |                |
| 06D63613.X-24                                  | 24" dripper spacing | 4,000'      | 50 lbs.         | 645 lbs.          |                  |                |
| 06D63613.X-27                                  | 27" dripper spacing | 4,000'      | 50 lbs.         | 645 lbs.          |                  |                |
| 06D63613.X-30                                  | 30" dripper spacing | 4,000'      | 50 lbs.         | 645 lbs.          |                  |                |
| 06D63613.X-36                                  | 36" dripper spacing | 4,000'      | 50 lbs.         | 645 lbs.          |                  |                |
| <b>15 Mil Wall Thickness - 0.636" Diameter</b> |                     |             |                 |                   |                  |                |
| 06D63615.X-12                                  | 12" dripper spacing | 3,600'      | 50 lbs.         | 645 lbs.          | Call for Quote   |                |
| 06D63615.X-14                                  | 14" dripper spacing | 3,600'      | 50 lbs.         | 645 lbs.          |                  |                |
| 06D63615.X-16                                  | 16" dripper spacing | 3,600'      | 50 lbs.         | 645 lbs.          |                  |                |
| 06D63615.X-18                                  | 18" dripper spacing | 3,600'      | 50 lbs.         | 645 lbs.          |                  |                |
| 06D63615.X-24                                  | 24" dripper spacing | 3,600'      | 50 lbs.         | 645 lbs.          |                  |                |
| 06D63615.X-27                                  | 27" dripper spacing | 3,600'      | 50 lbs.         | 645 lbs.          |                  |                |
| 06D63615.X-30                                  | 30" dripper spacing | 3,600'      | 50 lbs.         | 645 lbs.          |                  |                |
| 06D63615.X-36                                  | 36" dripper spacing | 3,600'      | 50 lbs.         | 645 lbs.          |                  |                |
| <b>25 Mil Wall Thickness - 0.636" Diameter</b> |                     |             |                 |                   |                  |                |
| 06D63625.X-12                                  | 12" dripper spacing | 2,600'      | 55 lbs.         | 705 lbs.          | Call for Quote   |                |
| 06D63625.X-14                                  | 14" dripper spacing | 2,600'      | 55 lbs.         | 705 lbs.          |                  |                |
| 06D63625.X-16                                  | 16" dripper spacing | 2,600'      | 55 lbs.         | 705 lbs.          |                  |                |
| 06D63625.X-18                                  | 18" dripper spacing | 2,600'      | 55 lbs.         | 705 lbs.          |                  |                |
| 06D63625.X-20                                  | 20" dripper spacing | 2,600'      | 55 lbs.         | 705 lbs.          |                  |                |
| 06D63625.X-24                                  | 24" dripper spacing | 2,600'      | 55 lbs.         | 705 lbs.          |                  |                |
| 06D63625.X-27                                  | 27" dripper spacing | 2,600'      | 55 lbs.         | 705 lbs.          |                  |                |
| 06D63625.X-30                                  | 30" dripper spacing | 2,600'      | 55 lbs.         | 705 lbs.          |                  |                |
| 06D63625.X-36                                  | 36" dripper spacing | 2,600'      | 55 lbs.         | 705 lbs.          |                  |                |

NOTES: DripNet PC 636 13 and 15 mil are standard with drilled outlet.  
 Anti-Siphon is recommended for subsurface row crop applications.  
 For GPM per 100' pressure comparisons- refer to the DripNet PC Technical Brochure.  
 12 reels per pallet. Nominal pallet weight per pallet includes weight of pallet at 45 lbs.

# THINWALL DRIPLINES

## DRIPNET PC™ 636 SERIES WITH ANTI-SIPHON

Call Netafim USA Customer Service for delivery timelines

ⓑ

| Model Number  | Description         | Reel Length | Weight per Reel | Weight per Pallet | Price Per 1,000' | Price Per Reel |
|---|---------------------|-------------|-----------------|-------------------|------------------|----------------|
| <b>13 Mil Wall Thickness - 0.636" Diameter</b>                  |                     |             |                 |                   |                  |                |
| 06DA63613.X-12  | 12" dripper spacing | 3,700'      | 47 lbs.         | 609 lbs.          |                  |                |
| 06DA63613.X-14  | 14" dripper spacing | 3,700'      | 47 lbs.         | 609 lbs.          |                  |                |
| 06DA63613.X-16  | 16" dripper spacing | 3,700'      | 47 lbs.         | 609 lbs.          |                  |                |
| 06DA63613.X-18  | 18" dripper spacing | 3,700'      | 47 lbs.         | 609 lbs.          |                  |                |
| 06DA63613.X-24  | 24" dripper spacing | 3,700'      | 47 lbs.         | 609 lbs.          |                  | Call for Quote |
| 06DA63613.X-27  | 27" dripper spacing | 3,700'      | 47 lbs.         | 609 lbs.          |                  |                |
| 06DA63613.X-30  | 30" dripper spacing | 3,700'      | 47 lbs.         | 609 lbs.          |                  |                |
| 06DA63613.X-36  | 36" dripper spacing | 3,700'      | 47 lbs.         | 609 lbs.          |                  |                |
| <b>15 Mil Wall Thickness - 0.636" Diameter</b>                  |                     |             |                 |                   |                  |                |
| 06DA63615.X-12  | 12" dripper spacing | 3,200'      | 44 lbs.         | 573 lbs.          |                  |                |
| 06DA63615.X-14  | 14" dripper spacing | 3,200'      | 44 lbs.         | 573 lbs.          |                  |                |
| 06DA63615.X-16  | 16" dripper spacing | 3,200'      | 44 lbs.         | 573 lbs.          |                  |                |
| 06DA63615.X-18  | 18" dripper spacing | 3,200'      | 44 lbs.         | 573 lbs.          |                  | Call for Quote |
| 06DA63615.X-24  | 24" dripper spacing | 3,200'      | 44 lbs.         | 573 lbs.          |                  |                |
| 06DA63615.X-27  | 27" dripper spacing | 3,200'      | 44 lbs.         | 573 lbs.          |                  |                |
| 06DA63615.X-30  | 30" dripper spacing | 3,200'      | 44 lbs.         | 573 lbs.          |                  |                |
| 06DA63615.X-36  | 36" dripper spacing | 3,200'      | 44 lbs.         | 573 lbs.          |                  |                |
| <b>25 Mil Wall Thickness - 0.636" Diameter (DRILLED OUTLET)</b> |                     |             |                 |                   |                  |                |
| 06DA63625.X-12  | 12" dripper spacing | 2,600'      | 54 lbs.         | 693 lbs.          |                  |                |
| 06DA63625.X-14  | 14" dripper spacing | 2,600'      | 54 lbs.         | 693 lbs.          |                  |                |
| 06DA63625.X-16  | 16" dripper spacing | 2,600'      | 54 lbs.         | 693 lbs.          |                  |                |
| 06DA63625.X-18  | 18" dripper spacing | 2,600'      | 54 lbs.         | 693 lbs.          |                  |                |
| 06DA63625.X-20  | 20" dripper spacing | 2,600'      | 54 lbs.         | 693 lbs.          |                  | Call for Quote |
| 06DA63625.X-24  | 24" dripper spacing | 2,600'      | 54 lbs.         | 693 lbs.          |                  |                |
| 06DA63625.X-27  | 27" dripper spacing | 2,600'      | 54 lbs.         | 693 lbs.          |                  |                |
| 06DA63625.X-30  | 30" dripper spacing | 2,600'      | 54 lbs.         | 693 lbs.          |                  |                |
| 06DA63625.X-36  | 36" dripper spacing | 2,600'      | 54 lbs.         | 693 lbs.          |                  |                |

NOTES: DripNet PC 636 13 and 15 mil are standard with drilled outlet.  
 Anti-Siphon is recommended for subsurface row crop applications.  
 For GPM per 100' pressure comparisons- refer to the DripNet PC Technical Brochure.  
 12 reels per pallet. Nominal pallet weight per pallet includes weight of pallet at 45 lbs.

### MADE TO ORDER PRODUCTS

Products listed in this Price List and not identified on the Quick Selection Guide for Commonly Sold Thinwall Driplines. Minimum order requirement is two (2) pallets or (24) reels.

### CUSTOM PRODUCTS

Products not listed in this Price List. Call Netafim USA Customer Service for quote and delivery timelines. Minimum order requirement is two (2) pallets or (24) reels. No returns on Custom Products.

**NOTE:** **MTO** (Made to Order) - considered products that are not MTS, in other words, not guaranteed to be in stock, and considered to be "Special Order" type products.  
**MOQ** (Minimum Order Quantity) - designated products are products that are MTO and are subject to a minimum coil quantity.



# THINWALL DRIPLINES



|   |                 |                |           |                 |
|---|-----------------|----------------|-----------|-----------------|
| <b>06D, 06D,<br/>06DA<br/>OR<br/>06DA</b> | 875             | 13             | .16       | -12             |
|   | Inside Diameter | Wall Thickness | Flow Code | Dripper Spacing |

### ORDERING EXAMPLE

DripNet PC, .875" ID, 13.5 mil wall thickness, 0.16 GPH flow rate, 12" dripper spacing

- Model Number: 06D87513.16-12 (Non Anti-Siphon)
- Model Number: 06DA87513.16-12 (With Anti-Siphon)

### NOMINAL FLOW RATES

Pressure Range 6-36 psi

| Flow Rate (GPH) | Flow Code |
|-----------------|-----------|
| 0.16            | 16        |
| 0.26            | 26        |
| 0.32            | 32        |
| 0.42            | 42        |

Substitute Flow Code listed above for **X** in the Model Number.

## DRIPNET PC™ 875 SERIES NON ANTI-SIPHON

Call Netafim USA Customer Service for delivery timelines

(B)

| Model Number                                   | Description         | Reel Length | Weight per Reel | Weight per Pallet | Price Per 1,000' | Price Per Reel |
|--|---------------------|-------------|-----------------|-------------------|------------------|----------------|
| <b>15 Mil Wall Thickness - 0.875" Diameter</b> |                     |             |                 |                   |                  |                |
| 06D87515.X-12                                  | 12" dripper spacing | 3,000'      | 56 lbs.         | 717 lbs.          | Call for Quote   |                |
| 06D87515.X-14                                  | 14" dripper spacing | 3,000'      | 56 lbs.         | 717 lbs.          |                  |                |
| 06D87515.X-16                                  | 16" dripper spacing | 3,000'      | 56 lbs.         | 717 lbs.          |                  |                |
| 06D87515.X-18                                  | 18" dripper spacing | 3,000'      | 56 lbs.         | 717 lbs.          |                  |                |
| 06D87515.X-24                                  | 24" dripper spacing | 3,000'      | 56 lbs.         | 717 lbs.          |                  |                |
| 06D87515.X-27                                  | 27" dripper spacing | 3,000'      | 56 lbs.         | 717 lbs.          |                  |                |
| 06D87515.X-30                                  | 30" dripper spacing | 3,000'      | 56 lbs.         | 717 lbs.          |                  |                |
| 06D87515.X-36                                  | 36" dripper spacing | 3,000'      | 56 lbs.         | 717 lbs.          |                  |                |
| <b>25 Mil Wall Thickness - 0.875" Diameter</b> |                     |             |                 |                   |                  |                |
| 06D87525.X-12                                  | 12" dripper spacing | 1,640'      | 49 lbs.         | 633 lbs.          | Call for Quote   |                |
| 06D87525.X-14                                  | 14" dripper spacing | 1,640'      | 49 lbs.         | 633 lbs.          |                  |                |
| 06D87525.X-16                                  | 16" dripper spacing | 1,640'      | 49 lbs.         | 633 lbs.          |                  |                |
| 06D87525.X-18                                  | 18" dripper spacing | 1,640'      | 49 lbs.         | 633 lbs.          |                  |                |
| 06D87525.X-20                                  | 20" dripper spacing | 1,640'      | 49 lbs.         | 633 lbs.          |                  |                |
| 06D87525.X-24                                  | 24" dripper spacing | 1,640'      | 49 lbs.         | 633 lbs.          |                  |                |
| 06D87525.X-27                                  | 27" dripper spacing | 1,640'      | 49 lbs.         | 633 lbs.          |                  |                |
| 06D87525.X-30                                  | 30" dripper spacing | 1,640'      | 49 lbs.         | 633 lbs.          |                  |                |
| 06D87525.X-36                                  | 36" dripper spacing | 1,640'      | 49 lbs.         | 633 lbs.          |                  |                |

NOTES: DripNet PC 875 13.5 and 15 mil are standard with drilled outlet.  
 Anti-Siphon is recommended for subsurface row crop applications.  
 For GPM per 100' pressure comparisons- refer to the DripNet PC Technical Brochure.  
 12 reels per pallet. Nominal pallet weight per pallet includes weight of pallet at 45 lbs.

# THINWALL DRIPLINES

## DRIPNET PC™ 875 SERIES WITH ANTI-SIPHON

Call Netafim USA Customer Service for delivery timelines

(B)

| Model Number                                   | Description         | Reel Length | Weight per Reel | Weight per Pallet | Price Per 1,000' | Price Per Reel |
|--|---------------------|-------------|-----------------|-------------------|------------------|----------------|
| <b>15 Mil Wall Thickness - 0.875" Diameter</b> |                     |             |                 |                   |                  |                |
| 06DA87515.X-12                                 | 12" dripper spacing | 2,800'      | 53 lbs.         | 681 lbs.          |                  |                |
| 06DA87515.X-14                                 | 14" dripper spacing | 2,800'      | 53 lbs.         | 681 lbs.          |                  |                |
| 06DA87515.X-16                                 | 16" dripper spacing | 2,800'      | 53 lbs.         | 681 lbs.          |                  |                |
| 06DA87515.X-18                                 | 18" dripper spacing | 2,800'      | 53 lbs.         | 681 lbs.          | Call for Quote   |                |
| 06DA87515.X-24                                 | 24" dripper spacing | 2,800'      | 53 lbs.         | 681 lbs.          |                  |                |
| 06DA87515.X-27                                 | 27" dripper spacing | 2,800'      | 53 lbs.         | 681 lbs.          |                  |                |
| 06DA87515.X-30                                 | 30" dripper spacing | 2,800'      | 53 lbs.         | 681 lbs.          |                  |                |
| 06DA87515.X-36                                 | 36" dripper spacing | 2,800'      | 53 lbs.         | 681 lbs.          |                  |                |
| <b>25 Mil Wall Thickness - 0.875" Diameter</b> |                     |             |                 |                   |                  |                |
| 06DA87525.X-12                                 | 12" dripper spacing | 1,640'      | 48 lbs.         | 621 lbs.          |                  |                |
| 06DA87525.X-14                                 | 14" dripper spacing | 1,640'      | 48 lbs.         | 621 lbs.          |                  |                |
| 06DA87525.X-16                                 | 16" dripper spacing | 1,640'      | 48 lbs.         | 621 lbs.          |                  |                |
| 06DA87525.X-18                                 | 18" dripper spacing | 1,640'      | 48 lbs.         | 621 lbs.          | Call for Quote   |                |
| 06DA87525.X-20                                 | 20" dripper spacing | 1,640'      | 48 lbs.         | 621 lbs.          |                  |                |
| 06DA87525.X-24                                 | 24" dripper spacing | 1,640'      | 48 lbs.         | 621 lbs.          |                  |                |
| 06DA87525.X-27                                 | 27" dripper spacing | 1,640'      | 48 lbs.         | 621 lbs.          |                  |                |
| 06DA87525.X-30                                 | 30" dripper spacing | 1,640'      | 48 lbs.         | 621 lbs.          |                  |                |
| 06DA87525.X-36                                 | 36" dripper spacing | 1,640'      | 48 lbs.         | 621 lbs.          |                  |                |

NOTES: DripNet PC 875 13.5 and 15 mil are standard with drilled outlet.  
 Anti-Siphon is recommended for subsurface row crop applications.  
 For GPM per 100' pressure comparisons- refer to the DripNet PC Technical Brochure.  
 12 reels per pallet. Nominal pallet weight per pallet includes weight of pallet at 45 lbs.

### MADE TO ORDER PRODUCTS

Products listed in this Price List and not identified on the Quick Selection Guide for Commonly Sold Thinwall Driplines. Minimum order requirement is two (2) pallets or (24) reels.

### CUSTOM PRODUCTS

Products not listed in this Price List. Call Netafim USA Customer Service for quote and delivery timelines. Minimum order requirement is two (2) pallets or (24) reels. No returns on Custom Products.

**NOTE:** **MTO** (Made to Order) - considered products that are not MTS, in other words, not guaranteed to be in stock, and considered to be "Special Order" type products.  
**MOQ** (Minimum Order Quantity) - designated products are products that are MTO and are subject to a minimum coil quantity.

# THINWALL DRIPLINES



|             |                 |                |           |                 |
|-------------|-----------------|----------------|-----------|-----------------|
| <b>06DA</b> | 990             | 18             | .42       | -12             |
|             | Inside Diameter | Wall Thickness | Flow Code | Dripper Spacing |

## ORDERING EXAMPLE

DripNet PC, .990" ID, 18 mil wall thickness, 0.42 GPH flow rate, 12" dripper spacing

- Model Number: 06DA99018.42-12 (With Anti-Siphon)

## NOMINAL FLOW RATES

Pressure Range 6-36 psi

| Flow Rate (GPH) | Flow Code |
|-----------------|-----------|
| 0.16            | 16        |
| 0.26            | 26        |
| 0.32            | 32        |
| 0.42            | 42        |

Substitute Flow Code listed above for **X** in the Model Number.

## DRIPNET PC™ 990 SERIES WITH ANTI-SIPHON

Call Netafim USA Customer Service for delivery timelines

| Model Number                                   | Description         | Reel Length | Weight per Reel | Weight per Pallet | Price Per 1,000' | Price Per Reel |
|--|---------------------|-------------|-----------------|-------------------|------------------|----------------|
| <b>18 Mil Wall Thickness - 0.990" Diameter</b> |                     |             |                 |                   |                  |                |
| 06DA99018.X-12                                 | 12" dripper spacing | 1,900'      |                 |                   |                  |                |
| 06DA99018.X-14                                 | 14" dripper spacing | 1,900'      |                 |                   |                  |                |
| 06DA99018.X-16                                 | 16" dripper spacing | 1,900'      |                 |                   |                  |                |
| 06DA99018.X-18                                 | 18" dripper spacing | 1,900'      | Call            | Call              | Call             | Call           |
| 06DA99018.X-20                                 | 20" dripper spacing | 1,900'      | for             | for               | for              | for            |
| 06DA99018.X-24                                 | 24" dripper spacing | 1,900'      | Info            | Info              | Quote            | Quote          |
| 06DA99018.X-27                                 | 27" dripper spacing | 1,900'      |                 |                   |                  |                |
| 06DA99018.X-30                                 | 30" dripper spacing | 1,900'      |                 |                   |                  |                |
| 06DA99018.X-36                                 | 36" dripper spacing | 1,900'      |                 |                   |                  |                |

NOTES: DripNet PC 990 18 mil is standard with hole outlet and Anti-Siphon feature. No flap outlet available. For GPM per 100' pressure comparisons- refer to the DripNet PC Technical Brochure. 12 reels per pallet. Nominal pallet weight per pallet includes weight of pallet at 45 lbs.

## MADE TO ORDER PRODUCTS

Products listed in this Price List and not identified on the Quick Selection Guide for Commonly Sold Thinwall Driplines. Minimum order requirement is two (2) pallets or (32) reels.

## CUSTOM PRODUCTS

Products not listed in this Price List. Call Netafim USA Customer Service for quote and delivery timelines. Minimum order requirement is two (2) pallets or (32) reels. No returns on Custom Products.

**NOTE:** **MTO** (Made to Order) - considered products that are not MTS, in other words, not guaranteed to be in stock, and considered to be "Special Order" type products.

**MOQ** (Minimum Order Quantity) - designated products are products that are MTO and are subject to a minimum coil quantity.

# THINWALL DRIPLINES



# HEAVYWALL DRIPLINES

|  |    |
|--|----|
| Quick Selection Guide for Commonly Sold Products ..... | 39 |
| Uniram Pressure Compensating .....                     | 40 |
| Uniram XRS .....                                       | 41 |
| DripNet PC™ Pressure Compensating .....                | 42 |
| Aries™ Non-Pressure Compensating .....                 | 44 |
| Accessories .....                                      | 46 |

HWD = Heavywall Dripline  
 PE = Polyethylene Tubing  
 MIPT = Male Pipe Thread  
 FIPT = Female Pipe Thread

VineLine Vineyard Solution:  
 Pre-installed dripline ring not  
 recommended below the following  
 standard wall thickness:  
 16mm = 45 wall  
 17mm = 45 wall  
 18mm = 45 wall  
 20mm = 48 wall

# HEAVYWALL DRIPLINES

## QUICK SELECTION GUIDE FOR COMMONLY SOLD HEAVYWALL DRIPLINES NOT SUBJECT TO MINIMUM ORDER QUANTITY REQUIREMENTS (MOQ)

Netafim USA has a wide selection of heavywall driplines to fit numerous applications. Some driplines are stocking items which are not subject to minimum order quantity requirements and the following charts list those driplines.

### HEAVYWALL COILS PER PALLET

| Product    | Coils Per Pallet |
|------------|------------------|
| UniRam     | 20               |
| DripNet PC | 20               |
| Aries      | 20               |

### UNIRAM PRESSURE COMPENSATING



Ⓒ

| Model Number   | Description         | Flow Rate (GPH) | Coil Length | Weight per Coil | Price Per 1,000' or Coil |
|--|---------------------|-----------------|-------------|-----------------|--------------------------|
| <b>UNIRAM 570 - 17mm 45 mil Wall Thickness - 0.570" Diameter</b> |                     |                 |             |                 |                          |
| 08UR17.4-24  | 24" dripper spacing | 0.42            | 1,000'      | 36 lbs.         | Call for Quote           |
| <b>UNIRAM 620 - 18mm 45 mil Wall Thickness - 0.620" Diameter</b> |                     |                 |             |                 |                          |
| 08UR18.4-12  | 12" dripper spacing | 0.42            | 1,000'      | 39 lbs.         | Call for Quote           |
| 08UR18.5-15  | 15" dripper spacing | 0.53            | 1,000'      | 39 lbs.         |                          |
| 08UR18.5-18  | 18" dripper spacing | 0.53            | 1,000'      | 39 lbs.         |                          |
| 08UR18.4-24  | 24" dripper spacing | 0.42            | 1,000'      | 39 lbs.         |                          |
| 08UR18.5-24  | 24" dripper spacing | 0.53            | 1,000'      | 39 lbs.         |                          |
| 08UR18.5-30  | 30" dripper spacing | 0.53            | 1,000'      | 39 lbs.         |                          |
| 08UR18.5-36  | 36" dripper spacing | 0.53            | 1,000'      | 39 lbs.         |                          |
| 08UR18.6-36  | 36" dripper spacing | 0.61            | 1,000'      | 39 lbs.         |                          |
| 08UR1810-36  | 36" dripper spacing | 1.00            | 1,000'      | 39 lbs.         |                          |
| 08UR18.5-48  | 48" dripper spacing | 0.53            | 1,000'      | 39 lbs.         |                          |
| <b>UNIRAM 690 - 20mm 48 mil Wall Thickness - 0.690" Diameter</b> |                     |                 |             |                 |                          |
| 08UR20.4-24  | 24" dripper spacing | 0.42            | 1,000'      | 46 lbs.         | Call for Quote           |
| 08UR20.5-24  | 24" dripper spacing | 0.53            | 1,000'      | 46 lbs.         |                          |
| 08UR20.9-36  | 36" dripper spacing | 0.92            | 1,000'      | 46 lbs.         |                          |
| 08UR2010-36  | 36" dripper spacing | 1.00            | 1,000'      | 46 lbs.         |                          |

# HEAVYWALL DRIPLINES

**QUICK SELECTION GUIDE FOR COMMONLY SOLD HEAVYWALL DRIPLINES**  
 NOT SUBJECT TO MINIMUM ORDER QUANTITY REQUIREMENTS (MOQ)



## DRIPNET PC™ PRESSURE COMPENSATING (I)

| Model Number   | Description         | Flow Rate (GPH) | Coil Length | Weight per Coil | Price Per 1,000' or Coil |
|--|---------------------|-----------------|-------------|-----------------|--------------------------|
| <b>DRIPNET PC 570 - 17mm 45 mil Wall Thickness - 0.570" Diameter</b>               |                     |                 |             |                 |                          |
| 08D57045.6-24  | 24" dripper spacing | 0.61            | 1,000'      | 36 lbs.         | Call for Quote           |
| <b>DRIPNET PC 620 - 18mm 45 mil Wall Thickness - 0.620" Diameter</b>               |                     |                 |             |                 |                          |
| 08D62045.26-18   | 18" dripper spacing | 0.26            | 1,000'      | 39 lbs.         | Call for Quote           |
| 08D62045.42-18   | 18" dripper spacing | 0.42            | 1,000'      | 39 lbs.         |                          |
| 08D62045.53-18   | 18" dripper spacing | 0.53            | 1,000'      | 39 lbs.         |                          |
| 08D62045.42-24   | 24" dripper spacing | 0.42            | 1,000'      | 39 lbs.         |                          |
| 08D62045.53-24   | 24" dripper spacing | 0.53            | 1,000'      | 39 lbs.         |                          |
| 08D62045.6-24  | 24" dripper spacing | 0.61            | 1,000'      | 39 lbs.         |                          |
| 08D62045.42-30   | 30" dripper spacing | 0.42            | 1,000'      | 39 lbs.         |                          |
| 08D62045.53-30   | 30" dripper spacing | 0.53            | 1,000'      | 39 lbs.         |                          |
| 08D62045.53-36   | 36" dripper spacing | 0.53            | 1,000'      | 39 lbs.         |                          |
| 08D62045.53-42   | 42" dripper spacing | 0.53            | 1,000'      | 39 lbs.         |                          |
| <b>DRIPNET PC 620 - 18mm 45 mil Wall Thickness - 0.620" Diameter - ANTI SIPHON</b> |                     |                 |             |                 |                          |
| 08DA62045.53-24  | 24" dripper spacing | 0.53            | 1,000'      | 36 lbs.         |                          |
| <b>DRIPNET PC 690 - 20mm 48 mil Wall Thickness - 0.690" Diameter</b>               |                     |                 |             |                 |                          |
| 08D69048.42-24   | 24" dripper spacing | 0.42            | 1,000'      | 46 lbs.         | Call for Quote           |
| 08D69048.53-24   | 24" dripper spacing | 0.53            | 1,000'      | 46 lbs.         |                          |
| 08D69048.6-24  | 24" dripper spacing | 0.61            | 1,000'      | 46 lbs.         |                          |
| 08D69048.53-30   | 30" dripper spacing | 0.53            | 1,000'      | 46 lbs.         |                          |



## ARIES™ NON-PRESSURE COMPENSATING (J)

| Model Number  | Description         | Flow Rate (GPH) | Coil Length | Weight per Coil | Price Per 1,000' or Coil |
|---|---------------------|-----------------|-------------|-----------------|--------------------------|
| <b>ARIES 570 - 17mm 40 mil Wall Thickness - 0.570" Diameter</b> |                     |                 |             |                 |                          |
| AR5704010-12  | 12" dripper spacing | 1.0             | 1,000'      | 36 lbs.         | Call for Quote           |
| AR5704010-18  | 18" dripper spacing | 1.0             | 1,000'      | 36 lbs.         |                          |
| AR5704010-24  | 24" dripper spacing | 1.0             | 1,000'      | 36 lbs.         |                          |
| <b>ARIES 620 - 18mm 45 mil Wall Thickness - 0.620" Diameter</b> |                     |                 |             |                 |                          |
| AR6204505-24  | 24" dripper spacing | 0.5             | 1,000'      | 30 lbs.         | Call for Quote           |
| AR6204505-30  | 30" dripper spacing | 0.5             | 1,000'      | 30 lbs.         |                          |
| AR6204505-36  | 36" dripper spacing | 0.5             | 1,000'      | 30 lbs.         |                          |
| <b>ARIES 690 - 20mm 48 mil Wall Thickness - 0.690" Diameter</b> |                     |                 |             |                 |                          |
| AR6904805-24  | 24" dripper spacing | 0.5             | 1,000'      | 46 lbs.         | Call for Quote           |

# HEAVYWALL DRIPLINES



## NOMINAL FLOW RATES

| Flow Rate (GPH) | Flow Code |
|-----------------|-----------|
| 0.26            | .26       |
| 0.33            | .3        |
| 0.42            | .4        |
| 0.53            | .5        |
| 0.61            | .6        |
| 0.92            | .9        |
| 1.00            | 10        |

Substitute Flow Code listed above for X in the Model Number.

## UNIRAM ORDERING EXAMPLE

UniRam 0.620" (18 mm) inside diameter, 0.42 GPH flow rate, 24" dripper spacing

- Model Number: 08UR18.4-24
- Model Number with VineLine: 08VUR18.4-24



## VINELINE VINEYARD SOLUTION

## UNIRAM PRESSURE COMPENSATING MADE TO ORDER

Call Netafim USA Customer Service for delivery timelines



| Model Number                                   | Description            | Coil Length | Nominal Coil Weight | Price Per 1,000' or Coil | VineLine Price Per 1,000' or Coil |
|--|------------------------|-------------|---------------------|--------------------------|-----------------------------------|
| <b>UNIRAM 540 - 16 mm</b>                      |                        |             |                     |                          |                                   |
| <b>45 mil Wall Thickness - 0.540" Diameter</b> |                        |             |                     |                          |                                   |
| 08UR16X-24                                     | 24" Dripper Spacing    | 1,000'      | 34 lbs.             | Call for Quote           |                                   |
| 08UR16X-30                                     | 30" Dripper Spacing    | 1,000'      | 34 lbs.             |                          |                                   |
| 08UR16X-36                                     | 36" Dripper Spacing    | 1,000'      | 34 lbs.             |                          |                                   |
| 08UR16X-42.25                                  | 42.25" Dripper Spacing | 1,000'      | 34 lbs.             |                          |                                   |
| 08UR16X-48                                     | 48" Dripper Spacing    | 1,000'      | 34 lbs.             |                          |                                   |
| <b>UNIRAM 570 - 17 mm</b>                      |                        |             |                     |                          |                                   |
| <b>45 mil Wall Thickness - 0.570" Diameter</b> |                        |             |                     |                          |                                   |
| 08UR17X-24                                     | 24" Dripper Spacing    | 1,000'      | 36 lbs.             | Call for Quote           |                                   |
| 08UR17X-30                                     | 30" Dripper Spacing    | 1,000'      | 36 lbs.             |                          |                                   |
| 08UR17X-36                                     | 36" Dripper Spacing    | 1,000'      | 36 lbs.             |                          |                                   |
| 08UR17X-42.25                                  | 42.25" Dripper Spacing | 1,000'      | 36 lbs.             |                          |                                   |
| 08UR17X-48                                     | 48" Dripper Spacing    | 1,000'      | 36 lbs.             |                          |                                   |
| <b>UNIRAM 620 - 18 mm</b>                      |                        |             |                     |                          |                                   |
| <b>45 mil Wall Thickness - 0.620" Diameter</b> |                        |             |                     |                          |                                   |
| 08UR18X-24                                     | 24" Dripper Spacing    | 1,000'      | 39 lbs.             | Call for Quote           |                                   |
| 08UR18X-30                                     | 30" Dripper Spacing    | 1,000'      | 39 lbs.             |                          |                                   |
| 08UR18X-36                                     | 36" Dripper Spacing    | 1,000'      | 39 lbs.             |                          |                                   |
| 08UR18X-42.25                                  | 42.25" Dripper Spacing | 1,000'      | 39 lbs.             |                          |                                   |
| 08UR18X-48                                     | 48" Dripper Spacing    | 1,000'      | 39 lbs.             |                          |                                   |
| <b>UNIRAM 690 - 20 mm</b>                      |                        |             |                     |                          |                                   |
| <b>48 mil Wall Thickness - 0.690" Diameter</b> |                        |             |                     |                          |                                   |
| 08UR20X-24                                     | 24" Dripper Spacing    | 1,000'      | 46 lbs.             | Call for Quote           |                                   |
| 08UR20X-30                                     | 30" Dripper Spacing    | 1,000'      | 46 lbs.             |                          |                                   |
| 08UR20X-36                                     | 36" Dripper Spacing    | 1,000'      | 46 lbs.             |                          |                                   |
| 08UR20X-42.25                                  | 42.25" Dripper Spacing | 1,000'      | 46 lbs.             |                          |                                   |
| 08UR20X-48                                     | 48" Dripper Spacing    | 1,000'      | 46 lbs.             |                          |                                   |
| <b>UNIRAM 820</b>                              |                        |             |                     |                          |                                   |
| <b>60 mil Wall Thickness - 0.820" Diameter</b> |                        |             |                     |                          |                                   |
| 08UR82060X-24                                  | 24" Dripper Spacing    | 1,000'      | 68 lbs.             | Call for Quote           | Not Available with VineLine       |
| 08UR82060X-30                                  | 30" Dripper Spacing    | 1,000'      | 68 lbs.             |                          |                                   |
| 08UR82060X-36                                  | 36" Dripper Spacing    | 1,000'      | 68 lbs.             |                          |                                   |
| 08UR82060X-42.25                               | 42.25" Dripper Spacing | 1,000'      | 68 lbs.             |                          |                                   |
| 08UR82060X-48                                  | 48" Dripper Spacing    | 1,000'      | 68 lbs.             |                          |                                   |

Other dripper spacings available upon request. Also available on larger diameter reels.

**MADE TO STOCK ORDERS** - Products listed in this Price List and not identified on the Quick Selection Guide for Commonly Sold Heavywall Driplines. Minimum order requirement is two (2) pallets or (40) coils.

**CUSTOM ORDERS** - Products not listed in this Price List. Minimum order requirement two (2) pallets or (40) coils.



# HEAVYWALL DRIPLINES



## NOMINAL FLOW RATES

| Flow Rate (GPH) | Flow Code |
|-----------------|-----------|
| 0.42            | .4        |
| 0.61            | .6        |
| 0.92            | .9        |

Substitute Flow Code listed above for **X** in the Model Number.

## UNIRAM XRS PRESSURE COMPENSATING MADE TO ORDER

Call Netafim USA Customer Service for delivery timelines



| Model Number                                   | Description         | Coil Length | Nominal Coil Weight | Price Per 1,000' or Coil |
|--|---------------------|-------------|---------------------|--------------------------|
| <b>UNIRAM XRS 540 - 16 mm</b>                  |                     |             |                     |                          |
| <b>45 mil Wall Thickness - 0.540" Diameter</b> |                     |             |                     |                          |
| URXRS16.4-24                                   | 24" Dripper Spacing | 1,000'      | 26 lbs.             |                          |
| URXRS16.4-32                                   | 32" Dripper Spacing | 1,000'      | 26 lbs.             |                          |
| URXRS16.6-28                                   | 28" Dripper Spacing | 1,000'      | 26 lbs.             | Call for Quote           |
| URXRS16.6-36                                   | 36" Dripper Spacing | 1,000'      | 26 lbs.             |                          |
| URXRS16.9-32                                   | 32" Dripper Spacing | 1,000'      | 26 lbs.             |                          |
| URXRS16.9-36                                   | 32" Dripper Spacing | 1,000'      | 26 lbs.             |                          |
| <b>UNIRAM XRS 570 - 17 mm</b>                  |                     |             |                     |                          |
| <b>45 mil Wall Thickness - 0.570" Diameter</b> |                     |             |                     |                          |
| URXRS17.4-24                                   | 24" Dripper Spacing | 1,000'      | 36 lbs.             |                          |
| URXRS17.4-32                                   | 32" Dripper Spacing | 1,000'      | 36 lbs.             |                          |
| URXRS17.6-28                                   | 28" Dripper Spacing | 1,000'      | 36 lbs.             | Call for Quote           |
| URXRS17.6-36                                   | 36" Dripper Spacing | 1,000'      | 36 lbs.             |                          |
| URXRS17.9-32                                   | 32" Dripper Spacing | 1,000'      | 36 lbs.             |                          |
| URXRS17.9-36                                   | 36" Dripper Spacing | 1,000'      | 36 lbs.             |                          |
| <b>UNIRAM XRS 620 - 18 mm</b>                  |                     |             |                     |                          |
| <b>45 mil Wall Thickness - 0.620" Diameter</b> |                     |             |                     |                          |
| URXRS18.4-24                                   | 24" Dripper Spacing | 1,000'      | 39 lbs.             |                          |
| URXRS18.4-32                                   | 32" Dripper Spacing | 1,000'      | 39 lbs.             |                          |
| URXRS18.6-24                                   | 24" Dripper Spacing | 1,000'      | 39 lbs.             |                          |
| URXRS18.6-28                                   | 28" Dripper Spacing | 1,000'      | 39 lbs.             | Call for Quote           |
| URXRS18.6-32                                   | 32" Dripper Spacing | 1,000'      | 39 lbs.             |                          |
| URXRS18.6-36                                   | 36" Dripper Spacing | 1,000'      | 39 lbs.             |                          |
| URXRS18.9-32                                   | 32" Dripper Spacing | 1,000'      | 39 lbs.             |                          |
| URXRS18.9-36                                   | 36" Dripper Spacing | 1,000'      | 39 lbs.             |                          |
| <b>UNIRAM XRS 690 - 20 mm</b>                  |                     |             |                     |                          |
| <b>48 mil Wall Thickness - 0.690" Diameter</b> |                     |             |                     |                          |
| URXRS20.4-24                                   | 24" Dripper Spacing | 1,000'      | 46 lbs.             |                          |
| URXRS20.4-32                                   | 32" Dripper Spacing | 1,000'      | 46 lbs.             |                          |
| URXRS20.6-28                                   | 28" Dripper Spacing | 1,000'      | 46 lbs.             | Call for Quote           |
| URXRS20.6-36                                   | 36" Dripper Spacing | 1,000'      | 46 lbs.             |                          |
| URXRS20.9-32                                   | 32" Dripper Spacing | 1,000'      | 46 lbs.             |                          |
| URXRS20.9-36                                   | 36" Dripper Spacing | 1,000'      | 46 lbs.             |                          |
| <b>UNIRAM XRS 820</b>                          |                     |             |                     |                          |
| <b>60 mil Wall Thickness - 0.820" Diameter</b> |                     |             |                     |                          |
| URXRS82060.6-36                                | 36" Dripper Spacing | 1,000'      | 59 lbs.             | Call for Quote           |

# HEAVYWALL DRIPLINES



## NOMINAL FLOW RATES

| Flow Rate (GPH) | Flow Code |
|-----------------|-----------|
| 0.16            | .16       |
| 0.26            | .26       |
| 0.42            | .42       |
| 0.53            | .53       |
| 0.61            | .61       |
| 0.79            | .79       |
| 0.92            | .92       |

Substitute Flow Code listed above for **X** in the Model Number.

## DRIPNET PC ORDERING EXAMPLE

DripNet PC 0.620" (18 mm) inside diameter, 0.42 GPH flow rate, 24" dripper spacing

- Model Number: 08D620450.42-24
- Model Number with VineLine: 08VD620450.42-24



## VINELINE VINEYARD SOLUTION

## DRIPNET PC™ PRESSURE COMPENSATING MADE TO ORDER

Call Netafim USA Customer Service for delivery timelines

| Model Number                                   | Description            | Coil Length | Nominal Coil Weight | Price Per 1,000' or Coil | VineLine Price Per 1,000' or Coil |
|--|------------------------|-------------|---------------------|--------------------------|-----------------------------------|
| <b>DRIPNET PC 540 - 16 mm</b>                  |                        |             |                     |                          |                                   |
| <b>45 mil Wall Thickness - 0.540" Diameter</b> |                        |             |                     |                          |                                   |
| 08D54045X-24                                   | 24" Dripper Spacing    | 1,000'      | 34 lbs.             | Call for Quote           |                                   |
| 08D54045X-30                                   | 30" Dripper Spacing    | 1,000'      | 34 lbs.             |                          |                                   |
| 08D54045X-36                                   | 36" Dripper Spacing    | 1,000'      | 34 lbs.             |                          |                                   |
| 08D54045X-42.25                                | 42.25" Dripper Spacing | 1,000'      | 34 lbs.             |                          |                                   |
| 08D54045X-48                                   | 48" Dripper Spacing    | 1,000'      | 34 lbs.             |                          |                                   |
| <b>DRIPNET PC 570 - 17 mm</b>                  |                        |             |                     |                          |                                   |
| <b>45 mil Wall Thickness - 0.570" Diameter</b> |                        |             |                     |                          |                                   |
| 08D57045X-24                                   | 24" Dripper Spacing    | 1,000'      | 36 lbs.             | Call for Quote           |                                   |
| 08D57045X-30                                   | 30" Dripper Spacing    | 1,000'      | 36 lbs.             |                          |                                   |
| 08D57045X-36                                   | 36" Dripper Spacing    | 1,000'      | 36 lbs.             |                          |                                   |
| 08D57045X-42.25                                | 42.25" Dripper Spacing | 1,000'      | 36 lbs.             |                          |                                   |
| 08D57045X-48                                   | 48" Dripper Spacing    | 1,000'      | 36 lbs.             |                          |                                   |
| <b>DRIPNET PC 620 - 18 mm</b>                  |                        |             |                     |                          |                                   |
| <b>45 mil Wall Thickness - 0.620" Diameter</b> |                        |             |                     |                          |                                   |
| 08D62045X-24                                   | 24" Dripper Spacing    | 1,000'      | 39 lbs.             | Call for Quote           |                                   |
| 08D62045X-30                                   | 30" Dripper Spacing    | 1,000'      | 39 lbs.             |                          |                                   |
| 08D62045X-36                                   | 36" Dripper Spacing    | 1,000'      | 39 lbs.             |                          |                                   |
| 08D62045X-42.25                                | 42.25" Dripper Spacing | 1,000'      | 39 lbs.             |                          |                                   |
| 08D62045X-48                                   | 48" Dripper Spacing    | 1,000'      | 39 lbs.             |                          |                                   |
| <b>DRIPNET PC 690 - 20 mm</b>                  |                        |             |                     |                          |                                   |
| <b>48 mil Wall Thickness - 0.690" Diameter</b> |                        |             |                     |                          |                                   |
| 08D69048X-24                                   | 24" Dripper Spacing    | 1,000'      | 46 lbs.             | Call for Quote           |                                   |
| 08D69048X-30                                   | 30" Dripper Spacing    | 1,000'      | 46 lbs.             |                          |                                   |
| 08D69048X-36                                   | 36" Dripper Spacing    | 1,000'      | 46 lbs.             |                          |                                   |
| 08D69048X-42.25                                | 42.25" Dripper Spacing | 1,000'      | 46 lbs.             |                          |                                   |
| 08D69048X-48                                   | 48" Dripper Spacing    | 1,000'      | 46 lbs.             |                          |                                   |

Other dripper spacings available upon request.

**MADE TO STOCK ORDERS** - Products listed in this Price List and not identified on the Quick Selection Guide for Commonly Sold Heavywall Driplines. Minimum order requirement is two (2) pallets or (40) coils.

**CUSTOM ORDERS** - Products not listed in this Price List. Minimum order requirement two (2) pallets or (40) coils.

**NOTE:** **MOQ** (Minimum Order Quantity) - designated products are products that are MTO and are subject to a minimum coil quantity.

# HEAVYWALL DRIPLINES



## NOMINAL FLOW RATES

| Flow Rate (GPH) | Flow Code |
|-----------------|-----------|
| 0.16            | .16       |
| 0.26            | .26       |
| 0.42            | .42       |
| 0.53            | .53       |
| 0.61            | .61       |
| 0.79            | .79       |
| 0.92            | .92       |

### DRIPLINE PC ORDERING EXAMPLE

DripNet PC 0.820" inside diameter, 0.42 GPH flow rate, 24" dripper spacing  
Model Number: 08D82035.42-24

Substitute Flow Code listed above for X in the Model Number.

## DRIPLINE PC™ PRESSURE COMPENSATING MADE TO ORDER

Call Netafim USA Customer Service for delivery timelines



| Model Number                                   | Description            | Coil Length | Nominal Coil Weight | Price Per 1,000' or Coil | VineLine Price Per 1,000' or Coil |
|--|------------------------|-------------|---------------------|--------------------------|-----------------------------------|
| <b>DRIPLINE PC 820 *</b>                       |                        |             |                     |                          |                                   |
| <b>35 mil Wall Thickness - 0.820" Diameter</b> |                        |             |                     |                          |                                   |
| 08D82035X-24                                   | 24" Dripper Spacing    | 1,000'      | 39 lbs.             |                          |                                   |
| 08D82035X-30                                   | 30" Dripper Spacing    | 1,000'      | 39 lbs.             |                          | Not Available                     |
| 08D82035X-36                                   | 36" Dripper Spacing    | 1,000'      | 39 lbs.             | Call for Quote           | with                              |
| 08D82035X-42.25                                | 42.25" Dripper Spacing | 1,000'      | 39 lbs.             |                          | VineLine                          |
| 08D82035X-48                                   | 48" Dripper Spacing    | 1,000'      | 39 lbs.             |                          |                                   |
| <b>DRIPLINE PC 820</b>                         |                        |             |                     |                          |                                   |
| <b>60 mil Wall Thickness - 0.820" Diameter</b> |                        |             |                     |                          |                                   |
| 08D82060X-24                                   | 24" Dripper Spacing    | 1,000'      | 68 lbs.             |                          |                                   |
| 08D82060X-30                                   | 30" Dripper Spacing    | 1,000'      | 68 lbs.             |                          | Not Available                     |
| 08D82060X-36                                   | 36" Dripper Spacing    | 1,000'      | 68 lbs.             | Call for Quote           | with                              |
| 08D82060X-42.25                                | 42.25" Dripper Spacing | 1,000'      | 68 lbs.             |                          | VineLine                          |
| 08D82060X-48                                   | 48" Dripper Spacing    | 1,000'      | 68 lbs.             |                          |                                   |

Other dripper spacings available upon request.

**MADE TO STOCK ORDERS** - Products listed in this Price List and not identified on the Quick Selection Guide for Commonly Sold Heavywall Driplines. Minimum order requirement is two (2) pallets or (40) coils.

**CUSTOM ORDERS** - Products not listed in this Price List. Minimum order requirement two (2) pallets or (40) coils.

\* 35 mil wall thickness products in 1,000' coil length are shipped on cardboard reels.

**NOTE:** **MOQ** (Minimum Order Quantity) - designated products are products that are MTO and are subject to a minimum coil quantity.

# HEAVYWALL DRIPLINES



## NOMINAL FLOW RATES

| Flow Rate (GPH) | Flow Code |
|-----------------|-----------|
| 0.26            | 02        |
| 0.4             | 04        |
| 0.5             | 05        |
| 0.79            | 07        |
| 1.0             | 10        |

GPH based on 18 psi inlet pressure. Substitute Flow Code listed above for X in the Model Number.

## ARIES ORDERING EXAMPLE

Aries 0.620" (18 mm) inside diameter, 45 mil wall thickness, 0.5 GPH flow rate, 24" dripper spacing

- Model Number: AR62043505-24
- Model Number with VineLine: ARV6204505-24



VINELINE VINEYARD SOLUTION

## ARIES™ NON-PRESSURE COMPENSATING MADE TO ORDER

Call Netafim USA Customer Service for delivery timelines



| Model Number                                     | Description            | Coil Length | Nominal Coil Weight | Price Per 1,000' or Coil | VineLine Price Per 1,000' or Coil |
|--|------------------------|-------------|---------------------|--------------------------|-----------------------------------|
| <b>ARIES 540</b>                                 |                        |             |                     |                          |                                   |
| <b>35 mil Wall Thickness - 0.540" Diameter *</b> |                        |             |                     |                          |                                   |
| AR54035X-24                                      | 24" Dripper Spacing    | 1,000'      | 27 lbs.             |                          |                                   |
| AR54035X-30                                      | 30" Dripper Spacing    | 1,000'      | 27 lbs.             |                          | Not Available                     |
| AR54035X-36                                      | 36" Dripper Spacing    | 1,000'      | 27 lbs.             | Call for Quote           | with                              |
| AR54035X-42.25                                   | 42.25" Dripper Spacing | 1,000'      | 27 lbs.             |                          | VineLine                          |
| AR54035X-48                                      | 48" Dripper Spacing    | 1,000'      | 27 lbs.             |                          |                                   |
| <b>45 mil Wall Thickness- 0.540" Diameter</b>    |                        |             |                     |                          |                                   |
| AR54045X-24                                      | 24" Dripper Spacing    | 1,000'      | 34 lbs.             |                          |                                   |
| AR54045X-30                                      | 30" Dripper Spacing    | 1,000'      | 34 lbs.             |                          |                                   |
| AR54045X-36                                      | 36" Dripper Spacing    | 1,000'      | 34 lbs.             | Call for Quote           |                                   |
| AR54045X-42.25                                   | 42.25" Dripper Spacing | 1,000'      | 34 lbs.             |                          |                                   |
| AR54045X-48                                      | 48" Dripper Spacing    | 1,000'      | 34 lbs.             |                          |                                   |
| <b>ARIES 620</b>                                 |                        |             |                     |                          |                                   |
| <b>35 mil Wall Thickness- 0.620" Diameter *</b>  |                        |             |                     |                          |                                   |
| AR62035X-24                                      | 24" Dripper Spacing    | 1,000'      | 30 lbs.             |                          |                                   |
| AR62035X-30                                      | 30" Dripper Spacing    | 1,000'      | 30 lbs.             |                          |                                   |
| AR62035X-36                                      | 36" Dripper Spacing    | 1,000'      | 30 lbs.             | Call for Quote           |                                   |
| AR62035X-42.25                                   | 42.25" Dripper Spacing | 1,000'      | 30 lbs.             |                          |                                   |
| AR62035X-48                                      | 48" Dripper Spacing    | 1,000'      | 30 lbs.             |                          |                                   |
| <b>45 mil Wall Thickness- 0.620" Diameter</b>    |                        |             |                     |                          |                                   |
| AR62045X-24                                      | 24" Dripper Spacing    | 1,000'      | 39 lbs.             |                          |                                   |
| AR62045X-30                                      | 30" Dripper Spacing    | 1,000'      | 39 lbs.             |                          |                                   |
| AR62045X-36                                      | 36" Dripper Spacing    | 1,000'      | 39 lbs.             | Call for Quote           |                                   |
| AR62045X-42.25                                   | 42.25" Dripper Spacing | 1,000'      | 39 lbs.             |                          |                                   |
| AR62045X-48                                      | 48" Dripper Spacing    | 1,000'      | 39 lbs.             |                          |                                   |
| <b>ARIES 690</b>                                 |                        |             |                     |                          |                                   |
| <b>35 mil Wall Thickness- 0.690" Diameter *</b>  |                        |             |                     |                          |                                   |
| AR69035X-24                                      | 24" Dripper Spacing    | 1,000'      | 33 lbs.             |                          |                                   |
| AR69035X-30                                      | 30" Dripper Spacing    | 1,000'      | 33 lbs.             |                          | Not Available                     |
| AR69035X-36                                      | 36" Dripper Spacing    | 1,000'      | 33 lbs.             | Call for Quote           | with                              |
| AR69035X-42.25                                   | 42.25" Dripper Spacing | 1,000'      | 33 lbs.             |                          | VineLine                          |
| AR69035X-48                                      | 48" Dripper Spacing    | 1,000'      | 33 lbs.             |                          |                                   |

Other dripper spacings available upon request.

\* 35 mil wall thickness products in 1,000' coil length are shipped on cardboard reels.

# HEAVYWALL DRIPLINES



## NOMINAL FLOW RATES

| Flow Rate (GPH) | Flow Code |
|-----------------|-----------|
| 0.26            | 02        |
| 0.4             | 04        |
| 0.5             | 05        |
| 0.79            | 07        |
| 1.0             | 10        |

GPH based on 18 psi inlet pressure. Substitute Flow Code listed above for **X** in the Model Number.

## ARIES ORDERING EXAMPLE

Aries 0.690" (20 mm) inside diameter, 48 mil wall thickness, 0.5 GPH flow rate, 24" dripper spacing

- Model Number: AR6904805-24
- Model Number with VineLine: ARV6904805-24



VINELINE VINEYARD SOLUTION

## ARIES™ NON-PRESSURE COMPENSATING MADE TO ORDER

Call Netafim USA Customer Service for delivery timelines



| Model Number                                   | Description            | Coil Length | Nominal Coil Weight | Price Per 1,000' or Coil | VineLine Price Per 1,000' or Coil |
|--|------------------------|-------------|---------------------|--------------------------|-----------------------------------|
| <b>ARIES 690</b>                               |                        |             |                     |                          |                                   |
| <b>48 mil Wall Thickness - 0.690" Diameter</b> |                        |             |                     |                          |                                   |
| AR69048X-24                                    | 24" Dripper Spacing    | 1,000'      | 46 lbs.             |                          |                                   |
| AR69048X-30                                    | 30" Dripper Spacing    | 1,000'      | 46 lbs.             |                          |                                   |
| AR69048X-36                                    | 36" Dripper Spacing    | 1,000'      | 46 lbs.             | Call for Quote           |                                   |
| AR69048X-42.25                                 | 42.25" Dripper Spacing | 1,000'      | 46 lbs.             |                          |                                   |
| AR69048X-48                                    | 48" Dripper Spacing    | 1,000'      | 46 lbs.             |                          |                                   |
| <b>ARIES 820</b>                               |                        |             |                     |                          |                                   |
| <b>48 mil Wall Thickness - 0.820" Diameter</b> |                        |             |                     |                          |                                   |
| CUSTOM ORDER                                   |                        |             |                     | Call for Quote           |                                   |
| Manufactured on Cardboard Reels                |                        |             |                     |                          |                                   |

Other dripper spacings available upon request.

**MADE TO STOCK ORDERS** - Products listed in this Price List and not identified on the Quick Selection Guide for Commonly Sold Heavywall Driplines. Minimum order requirement is two (2) pallets or (40) coils.

**CUSTOM ORDERS** - Products not listed in this Price List. Minimum order requirement two (2) pallets or (40) coils.

**NOTE:** **MOQ** (Minimum Order Quantity) - designated products are products that are MTO and are subject to a minimum coil quantity.

# HEAVYWALL DRIPLINES



## ACCESSORIES

(L)

| Key | Item Number  | Model Number | Description                                  | Bag Qty | Price Bag |
|-----|--------------|--------------|--|---------|-----------|
| 1   | 32000-007920 | TLFV-1       | Automatic Flush Valve Insert Inlet with Ring | 1       | 24.00     |
| 2   | 32000-007860 | TL050MFV-1   | Automatic Flush Valve 1/2" MPT Inlet         | 1       | 24.00     |

## ACCESSORIES

(I)

| Key | Item Number  | Model Number | Description   | Bag Qty | Price Bag |
|-----|--------------|--------------|---|---------|-----------|
| 3   | 32000-003333 | H670780R-B   | VineLine Clip fits 0.670" (17 mm) or 0.690" (18 mm) Tube* | 250     | 30.25     |
|     | 32000-003376 | H790R-B      | VineLine Clip fits 0.790" (20 mm) Tube*                   | 250     | 30.25     |
| 4   | 32000-003450 | H670780CLP-B | Smart Clip fits 0.670" (17 mm) or 0.690" (18 mm) Tube**   | 250     | 41.75     |

\* Wire Sizes: 11 gauge - 0.0907" and/or 2.30 mm  
12 gauge - 0.0808" and/or 2.05 mm

\*\* Wire Sizes: 10 gauge - 0.1019" and/or 2.59 mm  
11 gauge - 0.0907" and/or 2.30 mm  
12 gauge - 0.0808" and/or 2.05 mm



# FITTINGS & CONNECTORS



Thinwall Dripline Twist-Lock Fittings

- Couplers ..... 48
- Start Connectors ..... 48
- Adapters ..... 48
- Male Adapters ..... 49
- Tee Adapters ..... 49
- Elbows ..... 49
- Tees ..... 49
- Line Ends ..... 49
- Automatic Flush Valves ..... 50

Thinwall Dripline Ring-Lock Fittings

- Couplers ..... 50
- Miscellaneous Supplies ..... 51

Heavywall Dripline/Polyethylene Twist-Lock Fittings

- Start Connectors ..... 52

Heavywall Dripline/Polyethylene Insert-Barb Fittings

- Couplers ..... 52
- Tees ..... 53
- Elbows ..... 53
- Adapters ..... 54
- Tee Adapters ..... 54
- Line Ends ..... 54
- Shut-off Valves ..... 55
- Miscellaneous Fittings ..... 55

HWD = Heavywall Dripline  
 PE = Polyethylene Tubing  
 FPT = Female Pipe Thread

TWD = Thinwall Dripline  
 MPT = Male Pipe Thread

**NOTE:** All Netafim fittings are designed for use only with Netafim Driplines - warranty is void when used with other manufacturer's driplines.

# FITTINGS & CONNECTORS

## FOR THINWALL DRIPLINES

### TWIST-LOCK

Fittings have longer length for easy installation and secure connections

## THINWALL FITTINGS SELECTION GUIDE

| Dripline Size | Acceptable Inside Diameter |
|---------------|----------------------------|
| 630 SERIES    | 0.638" - 5/8"              |
| 875 SERIES    | 0.875" - 7/8"              |
| 990 SERIES    | 0.990" - 1"                |



### TWIST-LOCK COUPLERS

Direct Connection from Thinwall (TWD) to Thinwall (TWD)

| Item Number  | Model Number | Description         | Quantity/Bag | Quantity/Case | Price Each | Price Bag |
|--------------|--------------|---------------------|--------------|---------------|------------|-----------|
| 32520-000011 | T630TLC-B    | 630 Series Coupler  | 50           | 500           | \$0.59     | \$29.50   |
| 32520-000021 | T875TLC-B    | 875 Series Coupler  | 50           | 300           | \$1.20     | \$60.00   |
| 32520-000031 | T990TLC-B    | 990 Series Coupler  | 40           | 200           | \$2.37     | \$94.80   |
| 32520-000041 | T1125TLC-B   | 1125 Series Coupler | 30           | 150           | \$3.13     | \$93.90   |



### TWIST-LOCK BARB ADAPTERS

Direct Connection from Oval Tubing to Thinwall (TWD)

| Item Number  | Model Number | Description   | Quantity/Bag | Quantity/Case | Price Each | Price Bag |
|--------------|--------------|---|--------------|---------------|------------|-----------|
| 32520-000651 | T630TL250B-B | 630 Series Connection from Oval (LDPE) Tube to Thinwall | 50           | 900           | \$0.63     | \$31.50   |
| 32520-000701 | T630TL400B-B | 630 Series Connection from Oval (LDPE) Tube to Thinwall | 50           | 800           | \$0.51     | \$25.50   |
| 32520-000431 | T630TL700B-B | 630 Series Connection from Oval (LDPE) Tube to Thinwall | 50           | 800           | \$1.63     | \$81.50   |
| 32520-000711 | T875TL400B-B | 875 Series Connection from Oval (LDPE) Tube to Thinwall | 50           | 500           | \$2.00     | \$100.00  |
| 32520-000441 | T875TL700B-B | 875 Series Connection from Oval (LDPE) Tube to Thinwall | 50           | 500           | \$1.37     | \$68.50   |

NOTE: Please reference page 51 for the required tools



### TWIST-LOCK LAYFLAT ADAPTERS

Direct Connection from Thinwall (TWD) to Layflat

| Item Number  | Model Number | Description                                      | Quantity/Bag | Quantity/Case | Price Each | Price Bag |
|--------------|--------------|--|--------------|---------------|------------|-----------|
| 32520-000671 | T630TLF-B    | 630 Series Connection Thinwall to Layflat (14mm) | 50           | 500           | \$1.09     | \$54.25   |
| 32520-000681 | T875TLF-B    | 875 Series Connection Thinwall to Layflat (14mm) | 50           | 400           | \$1.53     | \$76.50   |
| 32520-000691 | T875TLF19-B  | 875 Series Connection Thinwall to Layflat (19mm) | 50           | 300           | \$1.93     | \$96.50   |
| 32520-000621 | TLF75MPT     | 3/4" MPT to Layflat (14mm)                       | 50           | 600           | \$1.44     | \$72.00   |
| 32520-000631 | TLFPLUG      | Plug for Layflat (14mm)                          | 50           | 900           | \$1.30     | \$65.00   |
| 32520-000641 | TLFPLUG19    | Plug for Layflat (19mm)                          | 50           | 450           | \$1.75     | \$87.50   |

NOTE: Please reference page 51 for the required tools



### TWIST-LOCK MALE ADAPTERS

Direct Connection from Thinwall (TWD) to Male Pipe Thread MPT

| Item Number  | Model Number  | Description                                | Quantity/Bag | Quantity/Case | Price Each | Price Bag |
|--------------|---------------|--|--------------|---------------|------------|-----------|
| 32520-000061 | T630TLMA050-B | 630 Series Connection Thinwall to 1/2" MPT | 50           | 700           | \$1.00     | \$50.00   |
| 32520-000071 | T630TLMA075-B | 630 Series Connection Thinwall to 3/4" MPT | 50           | 500           | \$1.08     | \$54.00   |
| 32520-000081 | T875TLMA050-B | 875 Series Connection Thinwall to 1/2" MPT | 50           | 500           | \$1.37     | \$68.50   |
| 32520-000091 | T875TLMA075-B | 875 Series Connection Thinwall to 3/4" MPT | 50           | 400           | \$1.45     | \$72.50   |
| 32520-000101 | T990TLMA075-B | 990 Series Connection Thinwall to 3/4" MPT | 50           | 300           | \$1.69     | \$84.50   |



### TWIST-LOC MALE HOSE THREAD ADAPTERS

Direct Connection from Thinwall (TWD) to Male Thread MPT

| Item Number  | Model Number | Description  | Quantity/Bag | Quantity/Case | Price Each | Price Bag |
|--------------|--------------|--|--------------|---------------|------------|-----------|
| 32520-000451 | T630TLMHT-B  | 630 Series Connection Thinwall to Male Hose Thread | 50           | 500           | \$0.87     | \$43.50   |
| 32520-000461 | T875TLMHT-B  | 875 Series Connection Thinwall to Male Hose Thread | 50           | 400           | \$1.45     | \$72.50   |

### TWIST-LOC THREADED END CAP

Direct Connection from Thinwall (TWD) to Male Threaded End Cap

| Item Number  | Model Number | Description  | Quantity/Bag | Quantity/Case | Price Each | Price Bag |
|--------------|--------------|--|--------------|---------------|------------|-----------|
| 32520-000471 | T630TLCAP-B  | 630 Series Connection Thinwall to Threaded End Cap | 50           | 500           | \$1.41     | \$70.50   |
| 32520-000481 | T875TLCAP-B  | 875 Series Connection Thinwall to Threaded End Cap | 50           | 400           | \$1.89     | \$94.50   |



### TWIST-LOCK POLY HOSE INSERT ADAPTERS

Direct Connection from Thinwall (TWD) to Polyethylene (PE) Tubing

| Item Number  | Model Number  | Description                                   | Quantity/Bag | Quantity/Case | Price Each | Price Bag |
|--------------|---------------|---|--------------|---------------|------------|-----------|
| 32520-000341 | T630TLH540I-B | 630 Series Connection Thinwall to 16mm Insert | 50           | 700           | \$0.71     | \$35.50   |
| 32520-000341 | T630TLH690I-B | 630 Series Connection Thinwall to 20mm Insert | 50           | 600           | \$1.33     | \$66.50   |
| 32520-000341 | T875TLH540I-B | 875 Series Connection Thinwall to 16mm Insert | 50           | 500           | \$1.25     | \$62.50   |
| 32520-000341 | T875TLH690I-B | 875 Series Connection Thinwall to 20mm Insert | 50           | 450           | \$1.87     | \$93.50   |



# FITTINGS & CONNECTORS



## TWIST-LOCK FEMALE HOSE SWIVEL

Direct Connection from Thinwall (TWD) to Female Hose Swivel



| Item Number  | Model Number  | Description  | Quantity/Bag | Quantity/Case | Price Each | Price Bag |
|--------------|---------------|--|--------------|---------------|------------|-----------|
| 32520-000491 | T630TLFHSW-B  | 630 Series Connection Thinwall to Female Hose Swivel w/ Washer | 50           | 400           | \$2.05     | \$102.50  |
| 32520-000511 | T630TLFHSWS-B | 630 Series Connection Thinwall to Female Hose Swivel w/ Screen | 50           | 400           | \$2.42     | \$121.00  |
| 32520-000501 | T875TLFHSW-B  | 875 Series Connection Thinwall to Female Hose Swivel w/ Washer | 50           | 350           | \$3.31     | \$165.50  |
| 32520-000521 | T875TLFHSWS-B | 875 Series Connection Thinwall to Female Hose Swivel w/ Screen | 50           | 350           | \$3.68     | \$184.00  |



## TWIST-LOCK TEES

Direct Connection from Thinwall (TWD) to Thinwall (TWD)



| Item Number  | Model Number | Description  | Quantity/Bag | Quantity/Case | Price Each | Price Bag |
|--------------|--------------|--|--------------|---------------|------------|-----------|
| 32520-000221 | T630TLT3-B   | 630 Series Connection Thinwall to Thinwall to Thinwall | 50           | 250           | \$2.58     | \$129.00  |
| 32520-000231 | T875TLT3-B   | 875 Series Connection Thinwall to Thinwall to Thinwall | 50           | 150           | \$5.53     | \$276.50  |



## TWIST-LOCK TEE ADAPTERS

Direct Connection from Thinwall (TWD) to Thinwall (TWD)



| Item Number  | Model Number   | Description  | Quantity/Bag | Quantity/Case | Price Each | Price Bag |
|--------------|----------------|--|--------------|---------------|------------|-----------|
| 32520-000261 | T630TLTMA050-B | 630 Series Connection Thinwall to Thinwall to 1/2" MPT | 50           | 300           | \$1.37     | \$68.50   |
| 32520-000271 | T630TLTMA075-B | 630 Series Connection Thinwall to Thinwall to 3/4" MPT | 50           | 250           | \$1.77     | \$88.50   |
| 32520-000281 | T875TLTMA050-B | 875 Series Connection Thinwall to Thinwall to 1/2" MPT | 50           | 200           | \$1.87     | \$93.50   |
| 32520-000291 | T875TLTMA075-B | 875 Series Connection Thinwall to Thinwall to 3/4" MPT | 50           | 200           | \$2.27     | \$113.50  |



## TWIST-LOC SWIVEL TEES

Direct Connection from Thinwall (TWD) to Thinwall (TWD)



| Item Number  | Model Number | Description   | Quantity/Bag | Quantity/Case | Price Each | Price Bag |
|--------------|--------------|---|--------------|---------------|------------|-----------|
| 32520-000531 | T630TLFHSW-B | 630 Series Connection Thinwall to Thinwall to Female Hose Swivel w/Washer | 50           | 250           | \$3.22     | \$161.00  |
| 32520-000541 | T875TLFHSW-B | 875 Series Connection Thinwall to Thinwall to Female Hose Swivel w/Washer | 50           | 200           | \$4.64     | \$232.00  |



## TWIST-LOCK ELBOWS

Direct Connection from Thinwall (TWD) to Thinwall (TWD)



| Item Number  | Model Number | Description                                | Quantity/Bag | Quantity/Case | Price Each | Price Bag |
|--------------|--------------|--|--------------|---------------|------------|-----------|
| 32520-000131 | T630TLEL-B   | 630 Series Connection Thinwall to Thinwall | 50           | 400           | \$2.36     | \$118.00  |
| 32520-000141 | T875TLEL-B   | 875 Series Connection Thinwall to Thinwall | 50           | 250           | \$3.86     | \$193.00  |



## TWIST-LOCK ELBOWS ADAPTERS

Direct Connection from Thinwall (TWD) to MPT



| Item Number  | Model Number    | Description                                | Quantity/Bag | Quantity/Case | Price Each | Price Bag |
|--------------|-----------------|--|--------------|---------------|------------|-----------|
| 32520-000161 | T630TLELMA050-B | 630 Series Connection Thinwall to 1/2" MPT | 50           | 550           | \$1.18     | \$59.00   |
| 32520-000171 | T630TLELMA075-B | 630 Series Connection Thinwall to 3/4" MPT | 50           | 500           | \$1.58     | \$79.00   |
| 32520-000181 | T875TLELMA050-B | 875 Series Connection Thinwall to 1/2" MPT | 50           | 450           | \$1.47     | \$73.50   |
| 32520-000191 | T875TLELMA075-B | 875 Series Connection Thinwall to 3/4" MPT | 50           | 350           | \$1.87     | \$93.50   |



## TWIST-LOCK SWIVEL ELBOWS

Direct Connection from Thinwall (TWD) to Thinwall to Female Hose Swivel



| Item Number  | Model Number  | Description   | Quantity/Bag | Quantity/Case | Price Each | Price Bag |
|--------------|---------------|---|--------------|---------------|------------|-----------|
| 32520-000551 | T630TLELFSW-B | 630 Series Connection Thinwall to Female Hose Swivel w/Washer | 50           | -             | \$3.56     | \$178.00  |
| 32520-000561 | T875TLELFSW-B | 875 Series Connection Thinwall to Female Hose Swivel w/Washer | 50           | -             | \$4.36     | \$218.00  |



## TWIST-LOCK LINE ENDS

Line Ends



| Item Number  | Model Number | Description         | Quantity/Bag | Quantity/Case | Price Each | Price Bag |
|--------------|--------------|---------------------|--------------|---------------|------------|-----------|
| 32520-000381 | T630TLEP-B   | 630 Series Line End | 50           | 800           | \$0.54     | \$27.00   |
| 32520-000391 | T875TLEP-B   | 875 Series Line End | 50           | 550           | \$1.28     | \$64.00   |
| 32520-000401 | T990TLEP-B   | 990 Series Line End | 50           | 350           | \$1.28     | \$64.00   |

# FITTINGS & CONNECTORS

FOR THINWALL DRIPLINES

## THINWALL FITTINGS SELECTION GUIDE

### TWIST-LOCK VALVES

| Dripline Size | Acceptable Inside Diameter |
|---------------|----------------------------|
| 630 SERIES    | 0.638" - 5/8"              |
| 875 SERIES    | 0.875" - 7/8"              |
| 990 SERIES    | 0.990" - 1"                |



### TWIST-LOCK COUPLING VALVES

Coupling Valve



| Item Number  | Model Number | Description               | Quantity/Bag | Quantity/Case | Price Each | Price Bag |
|--------------|--------------|---------------------------|--------------|---------------|------------|-----------|
| 32540-000131 | T630TLVC-B   | 630 Series Coupling Valve | 50           | 250           | \$2.51     | \$125.50  |
| 32540-000141 | T875TLVC-B   | 875 Series Coupling Valve | 50           | 200           | \$2.75     | \$137.50  |



### TWIST-LOCK BARBED VALVES

Direct Connection from Thinwall (TWD) to Valve to Barb



| Item Number  | Model Number  | Description                                       | Quantity/Bag | Quantity/Case | Price Each | Price Bag |
|--------------|---------------|---|--------------|---------------|------------|-----------|
| 32540-000251 | T630TLV250B-B | 630 Series Connection Thinwall x Valve x 250 Barb | 50           | 350           | \$2.51     | \$125.50  |
| 32540-000701 | T630TLV400B-B | 630 Series Connection Thinwall x Valve x 400 Barb | 50           | 350           | \$2.51     | \$125.50  |
| 32540-000271 | T875TLV400B-B | 875 Series Connection Thinwall x Valve x 400 Barb | 50           | 250           | \$3.01     | \$150.50  |

**NOTE:** Please reference page 51 for the required tools

### TWIST-LOCK MALE THREADED VALVES

Direct Connection from Thinwall (TWD) to Valve to MPT



| Item Number  | Model Number   | Description                                       | Quantity/Bag | Quantity/Case | Price Each | Price Bag |
|--------------|----------------|---|--------------|---------------|------------|-----------|
| 32540-000151 | T630TLVMA050-B | 630 Series Connection Thinwall x Valve x 1/2" MPT | 50           | 350           | \$2.37     | \$118.50  |
| 32540-000171 | T875TLVMA050-B | 875 Series Connection Thinwall x Valve x 1/2" MPT | 50           | 300           | \$2.87     | \$143.50  |
| 32540-000161 | T630TLVMA075-B | 630 Series Connection Thinwall x Valve x 3/4" MPT | 50           | 300           | \$2.37     | \$118.50  |
| 32540-000181 | T875TLVMA075-B | 875 Series Connection Thinwall x Valve x 3/4" MPT | 50           | 250           | \$2.87     | \$143.50  |

### TWIST-LOCK LAYFLAT VALVES

Direct Connection from Thinwall (TWD) to Valve to Layflat



| Item Number  | Model Number | Description                                      | Quantity/Bag | Quantity/Case | Price Each | Price Bag |
|--------------|--------------|--|--------------|---------------|------------|-----------|
| 32540-000281 | T630TLVLF-B  | 630 Series Connection Thinwall x Valve x Layflat | 50           | 250           | \$2.91     | \$145.50  |
| 32540-000291 | T875TLVLF-B  | 875 Series Connection Thinwall x Valve x Layflat | 50           | 200           | \$5.66     | \$283.00  |

**NOTE:** Please reference page 51 for the required tools

### RING-LOCK



### RING-LOCK COUPLERS

Direct Connection from Thinwall (TWD) to Thinwall (TWD)



| Item Number  | Model Number | Description                 | Quantity/Bag | Quantity/Case | Price Each | Price Bag |
|--------------|--------------|-----------------------------|--------------|---------------|------------|-----------|
| 32500-016770 | T630RLC-B    | 630 Series Ring Loc Coupler | 100          |               | \$0.51     | \$51.00   |
| 32500-021320 | T875RLC-B    | 875 Series Ring Loc Coupler | 100          |               | \$1.04     | \$104.00  |

# FITTINGS & CONNECTORS

## MISCELLANEOUS SUPPLIES

①



### TIGHTENING TOOL

Tools and Accessories

| Item Number | Model Number | Description | Quantity/Bag                                 | Quantity/Case | Price Each | Price Bag |
|-------------|--------------|-------------|--|---------------|------------|-----------|
| 1           | 45000-003405 | PPS630      | Socket Tool to help tighten T630 TL Fittings | 1             |            | \$10.00   |
| 1           | 45000-003410 | PPS875      | Socket Tool to help tighten T875 TL Fittings | 1             |            | \$10.00   |

②



### GROMMETS

Tools and Accessories

| Item Number | Model Number | Description | Quantity/Bag                                      | Quantity/Case | Price Each | Price Bag      |
|-------------|--------------|-------------|---|---------------|------------|----------------|
| 2           | 00115-001602 | HGR0MM15-B  | 400 Series Grommet - 400 Barb Fittings and Valves | 50            |            | \$0.36 \$18.00 |

③



### DRILL BITS

Tools and Accessories

| Item Number | Model Number | Description | Quantity/Bag   | Quantity/Case | Price Each | Price Bag |
|-------------|--------------|-------------|--|---------------|------------|-----------|
| 3           | 45000-003130 | TDBIT15     | 15mm Drill Bit for installing 400 Series Model T Grommet | 1             |            | \$80.00   |

④



### LAYFLAT TOOLS

Tools and Accessories

| Item Number | Model Number | Description | Quantity/Bag                                | Quantity/Case | Price Each | Price Bag |
|-------------|--------------|-------------|---|---------------|------------|-----------|
| 4           | 45000-001540 | LFP-14      | Layflat Punch for 14mm hole                 | 1             |            | \$165.00  |
| 4           | 45000-001550 | LFP-19      | Layflat Punch for 19mm hole                 | 1             |            | \$230.00  |
| 5           | 45000-003415 | PPTH630     | T630 T-Handle Hex for 5/8" Layflat Fittings | 1             |            | \$14.00   |
| 5           | 45000-003420 | PPTH875     | T875 T-Handle Hex for 7/8" Layflat Fittings | 1             |            | \$17.00   |

⑤



### PUNCHES AND INSERTERS

Tools and Accessories

| Item Number | Model Number | Description | Quantity/Bag   | Quantity/Case | Price Each | Price Bag |
|-------------|--------------|-------------|--|---------------|------------|-----------|
| 6           | 45000-003425 | PPPUNCH-5   | Punch with Ejector 5mm Tip   | 1             |            | \$16.00   |
| 7           | 45000-003430 | PPPUNCH-7   | Punch with Ejector 7mm Tip   | 1             |            | \$22.00   |
| 7           | 45000-003435 | PPPUNCH-13  | Punch with Ejector 13mm Tip  | 1             |            | \$22.00   |
| 8           | 45000-003440 | PPPUNCH-IB  | Punch with Inserter Type B   | 1             |            | \$30.00   |
| 9           | 45000-003445 | PPPUNCH-IAS | Punch with Short Adjustable Tip and Inserter                       | 1             |            | \$72.00   |
| 9           | 45000-003450 | PPPUNCH-IAL | Punch with Long Adjustable Tip and Inserter                        | 1             |            | \$82.00   |
|             | 45000-003455 | PPHDL-NO    | Punch with Ejector wo Tip  | 1             |            | \$10.00   |
|             | 45000-003460 | PPTIP-5     | Replacement 5mm Tip for PP Punch Handle                            | 1             |            | \$8.00    |
|             | 45000-003465 | PPTIP-7     | Replacement 7mm Tip for PP Punch Handle                            | 1             |            | \$14.00   |
|             | 45000-003470 | PPTIP-13    | Replacement 13mm Tip for PP Punch Handle                           | 1             |            | \$14.00   |
|             | 45000-003475 | PPTIP-IB    | Replacement Inserter Tip for PP Punch Handle                       | 1             |            | \$22.00   |
| 10          | 45000-000014 | PPIAS       | Replacement Inserter Adjustable - Short (4in) for PP Punch Handle  | 1             |            | \$64.00   |
| 10          | 45000-000013 | PPIAL       | Replacement Inserter Adjustable - Long (5.5in) for PP Punch Handle | 1             |            | \$74.00   |

⑥



⑦



⑧



⑨



⑩



# FITTINGS & CONNECTORS

## FOR HEAVYWALL DRIPLINES

### TWIST-LOCK

Fittings have longer length for easy installation and secure connections

## HEAVYWALL FITTINGS SELECTION GUIDE

| Dripline Size | Acceptable Inside Diameter |   |        |
|---------------|----------------------------|---|--------|
| 16MM          | 0.520"                     | - | 0.540" |
| 17MM          | 0.570"                     | - | 0.600" |
| 18MM          | 0.620"                     | - | 0.640" |
| 20MM          | 0.680"                     | - | 0.700" |
| 25MM          | 0.82"                      | - | 0.86"  |



FROM PVC

### TWIST-LOCK START CONNECTORS

Direct Connection from PVC Submain to Heavywall/Polyethylene (HWD/PE)

| Item Number  | Model Number   | HWD Size | Quantity | Price Each |
|--------------|----------------|----------|----------|------------|
| 00115-001600 | H52034260160-B | 16MM     | 100      | 1.27       |
| 00115-002550 | H57034260180-B | 18MM     | 100      | 1.52       |
| 00115-003550 | H69034260200-B | 20MM     | 100      | 1.89       |

Requires 5/8" drill size (15.88mm)

### INSERT-BARB



16MM



17MM



18MM



20-25MM



REDUCING COUPLER

### INSERT-BARB COUPLERS

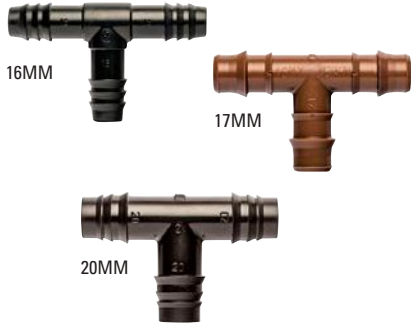
| Item Number  | Model Number | HWD Size | Quantity | Price Each |
|--|--------------|----------|----------|------------|
| Direct Connection from Heavywall/Polyethylene (HWD/PE) to (HWD/PE) |              |          |          |            |
| 32500-010720   | H520IC-B     | 16MM     | 50       | 0.59       |
| 00135-000830   | H540IC-B     | 17MM     | 50       | 0.61       |
| 32500-014215   | H620IC-B     | 18MM     | 100      | 0.74       |
| 32500-060030   | H690IC-B     | 20MM     | 100      | 1.00       |
| 32500-021530   | H820IC-B     | 25MM     | 100      | 1.43       |

#### Reducing Couplers

|              |              |              |     |      |
|--------------|--------------|--------------|-----|------|
| 32500-007930 | H680IRC520-B | 18MM TO 16MM | 100 | 1.14 |
| 32500-004330 | H690IRC540-B | 20MM TO 17MM | 100 | 1.10 |

# FITTINGS & CONNECTORS

## INSERT-BARB



### INSERT-BARB TEES

Direct Connection from Heavywall/Polyethylene (HWD/PE) to to (HWD/PE) to (HWD/PE) ⓘ

| Item Number  | Model Number | HWD Size | Quantity | Price Each |
|--------------|--------------|----------|----------|------------|
| 32500-011330 | H520IT3-B    | 16MM     | 100      | 1.15       |
| 00135-000880 | H540IT3-B    | 17MM     | 100      | 1.22       |
| 32500-008430 | H690IT3-B    | 20MM     | 100      | 1.49       |



### INSERT-BARB ELBOWS

Direct Connection from Heavywall/Polyethylene (HWD/PE) to (HWD/PE) ⓘ

| Item Number  | Model Number | HWD Size | Quantity | Price Each |
|--------------|--------------|----------|----------|------------|
| 32500-012530 | H520IE-B     | 16MM     | 100      | 0.99       |
| 00135-000855 | H540IE-B     | 17MM     | 100      | 1.12       |
| 32500-010020 | H690IE-B     | 20MM     | 50       | 1.32       |

# FITTINGS & CONNECTORS

## FOR HEAVYWALL DRIPLINES

### INSERT-BARB

### HEAVYWALL FITTINGS SELECTION GUIDE

| Dripline Size | Acceptable Inside Diameter |
|---------------|----------------------------|
| 16MM          | 0.520" - 0.540"            |
| 17MM          | 0.570" - 0.600"            |
| 18MM          | 0.620" - 0.640"            |
| 20MM          | 0.680" - 0.700"            |
| 25MM          | 0.82" - 0.86"              |



16MM - 25MM TO MALE PIPE THREAD



16MM, 20MM, 25MM TO PVC



17MM TO PVC

### INSERT-BARB ADAPTERS <sup>①</sup>

| Item Number  | Model Number | HWD Size | Quantity | Price Each |
|--|--------------|----------|----------|------------|
| Direct Connection from Heavywall/Polyethylene (HWD/PE) to Male Pipe Thread (MPT) |              |          |          |            |
| 32500-011020   | H520IMA075-B | 16MM     | 50       | 1.32       |
| 32500-004492   | H540IMA075-B | 17MM     | 50       | 1.46       |
| 32500-008220   | H690IMA075-B | 20MM     | 50       | 1.46       |
| 32500-014827   | H820IMA075-B | 25MM     | 50       | 1.69       |
| Direct Connection from Heavywall/Polyethylene (HWD/PE) to PVC <sup>1</sup>       |              |          |          |            |
| 32500-013720   | H520IAPVC-B  | 16MM     | 50       | 2.32       |
| 32500-006720   | H540IAPVC-B  | 17MM     | 50       | 2.60       |
| 32500-010330   | H680IAPVC-B  | 20MM     | 50       | 2.62       |
| 32500-018420   | H820IAPVC-B  | 25MM     | 50       | 2.81       |
| Direct Connection from Heavywall/Polyethylene (HWD/PE) to Polyethylene (PE)      |              |          |          |            |
| 32500-007120   | H540IAPE-B   | 16MM     | 50       | 1.55       |

<sup>1</sup> Requires 16.5mm drill bit/punch size



16MM TO FEMALE PIPE THREAD



20MM TO FEMALE PIPE THREAD

### INSERT-BARB TEE ADAPTERS <sup>①</sup>

Direct Connection from Heavywall/Polyethylene (HWD/PE) to (HWD/PE) to Female Pipe Thread (FPT)

| Item Number  | Model Number  | HWD Size | Quantity | Price Each |
|--------------|---------------|----------|----------|------------|
| 32500-004720 | H540ITFA075-B | 16MM     | 50       | 2.42       |
| 32500-008920 | H690ITFA075-B | 20MM     | 50       | 2.84       |



18MM



20MM

### INSERT-BARB LINE ENDS <sup>①</sup>

| Item Number  | Model Number | HWD Size | Quantity | Price Each |
|--------------|--------------|----------|----------|------------|
| 32500-013030 | H620FIG8-B   | 18MM     | 100      | 0.33       |
| 32500-014430 | H800FIG8-B   | 20MM     | 100      | 0.70       |

# FITTINGS & CONNECTORS

## INSERT-BARB



16MM - 20MM



25MM

### INSERT-BARB SHUT-OFF VALVES <sup>①</sup>

| Item Number  | Model Number | HWD Size | Quantity | Price Each |
|--------------|--------------|----------|----------|------------|
| 00005-008960 | 58ISV520     | 16MM     | 1        | 3.70       |
| 00005-008970 | 58ISV600     | 17MM     | 1        | 4.40       |
| 00005-008980 | 58ISV700     | 20MM     | 1        | 7.40       |
| 00005-008990 | 58ISV820     | 25MM     | 1        | 7.50       |



①



②



③

### MISCELLANEOUS FITTINGS <sup>①</sup>

| Key | Item Number  | Model Number | Description   | Quantity | Price Each |
|-----|--------------|--------------|---|----------|------------|
| 1   | 32000-006000 | HPLUG        | Plug fits 0.620" - 0.670" HWD & PE Outside Diameter | 1        | 0.19       |
| 2   | 32000-007015 | HGROMM690-B  | 20mm HWD & PE Grommet for PVC Adapter               | 50       | 0.74       |
|     | 00115-000650 | HGROMM820    | 25mm HWD & PE Grommet for PVC Adapter               | 1        | 2.00       |
| 3   | 45000-002750 | TDBIT16.5    | 16.5mm Drill Bit for HGROMM680                      | 1        | 41.00      |

# FITTINGS & CONNECTORS





## ON-LINE DRIPPERS

|  |    |
|--|----|
| Pressure Compensating Drippers (Non-CNL) .....                 | 58 |
| Woodpecker Pressure Compensating Drippers (Non-CNL) .....      | 58 |
| Woodpecker Pressure Compensating Dripper with Bug Cap .....    | 58 |
| Woodpecker Pressure Compensating Dripper (With CNL) .....      | 59 |
| Woodpecker Pressure Compensating Junior Dripper (With CNL) ... | 59 |
| Non-Pressure Compensating Button Drippers .....                | 60 |
| Woodpecker Non-Pressure Compensating Drippers .....            | 60 |
| Accessories .....  | 60 |

# ON-LINE DRIPPERS

## PRESSURE COMPENSATING DRIPPERS (PC) - NON CNL <sup>(E)</sup>

| Item Number  | Model Number | Nominal Flow (GPH) | Quantity Per Case | Quantity Per Bag | Price Each | Price Per Case or Bag | Price Per 1,000 |
|--------------|--------------|--------------------|-------------------|------------------|------------|-----------------------|-----------------|
| 21000-001051 | 01PC2        | 0.53               |                   |                  | 0.5411     | 1,352.75              | 541.10          |
| 21000-001151 | 01PC4        | 1.06               | 2,500             | -                | 0.5411     | 1,352.75              | 541.10          |
| 21000-001246 | 01PC8        | 2.25               |                   |                  | 0.5411     | 1,352.75              | 541.10          |
| 21000-001033 | 01PC2-B      | 0.53               |                   |                  | 0.6090     | 152.25                | 609.00          |
| 21000-001133 | 01PC4-B      | 1.06               | -                 | 250              | 0.6090     | 152.25                | 609.00          |
| 21000-001233 | 01PC8-B      | 2.25               |                   |                  | 0.6090     | 152.25                | 609.00          |



PC DRIPPER

NOTE: On-Line Drippers Sold in Bag or Case Quantities ONLY

## WOODPECKER PRESSURE COMPENSATING DRIPPERS (WPC) - NON CNL <sup>(E)</sup>

| Item Number  | Model Number | Nominal Flow (GPH) | Quantity Per Case | Quantity Per Bag | Price Each | Price Per Case or Bag | Price Per 1,000 |
|--------------|--------------|--------------------|-------------------|------------------|------------|-----------------------|-----------------|
| 21020-001051 | 01WPC2       | 0.53               |                   |                  | 0.5411     | 1,352.75              | 541.10          |
| 21020-001149 | 01WPC4       | 1.06               | 2,500             | -                | 0.5411     | 1,352.75              | 541.10          |
| 21020-001251 | 01WPC8       | 2.25               |                   |                  | 0.5411     | 1,352.75              | 541.10          |
| 21020-001033 | 01WPC2-B     | 0.53               |                   |                  | 0.6090     | 152.25                | 609.00          |
| 21020-001133 | 01WPC4-B     | 1.06               | -                 | 250              | 0.6090     | 152.25                | 609.00          |
| 21020-001235 | 01WPC8-B     | 2.25               |                   |                  | 0.6090     | 152.25                | 609.00          |



WPC DRIPPER

NOTE: On-Line Drippers Sold in Bag or Case Quantities ONLY

## WOODPECKER PRESSURE COMPENSATING DRIPPERS WITH BUG CAP (WPC) - NON CNL <sup>(E)</sup>

| Item Number  | Model Number | Nominal Flow (GPH) | Quantity Per Bag | Price Each | Price Per Case or Bag | Price Per 1,000 |
|--------------|--------------|--------------------|------------------|------------|-----------------------|-----------------|
| 21000-001340 | 01WPC24-B    | 6.0                | 250              | 0.7580     | 198.50                | 794.00          |



WPC WITH BUG CAP

NOTE: On-Line Drippers Sold in Bag or Case Quantities ONLY

### NOTES:

The WPC outlet requires an adapter (11WPCON) in order to use 0.125"/0.197" tubing (Model 15PVC53, 15FPE53 or 15FPEW53)  
 The WPCJ outlet fits 0.125"/0.197" tubing (Model 15PVC53 or 15FPE53).

# ON-LINE DRIPPERS

## WOODPECKER PRESSURE COMPENSATING DRIPPERS (WPC) - WITH CNL <sup>(E)</sup>

| Item Number  | Model Number | Nominal Flow (GPH) | Color Coded Inlet/Outlet | Quantity Per Case/Bag | Price Each | Price Per Case or Bag | Price Per 1,000 |
|--------------|--------------|--------------------|--------------------------|-----------------------|------------|-----------------------|-----------------|
| 21020-001061 | 01WPCLL2     | 0.53               | Red/Brown                |                       | 0.6091     | 1,522.75              | 609.10          |
| 21020-001156 | 01WPCLL4     | 1.06               | Black/Brown              | 2,500                 | 0.6091     | 1,522.75              | 609.10          |
| 21020-001201 | 01WPCLL8     | 2.25               | Green/Brown              |                       | 0.6091     | 1,522.75              | 609.10          |
| 21020-001138 | 01WPCLL2-B   | 0.53               | Red/Brown                |                       | 0.6820     | 170.50                | 682.00          |
| 21020-001136 | 01WPCLL4-B   | 1.06               | Black/Brown              | 250                   | 0.6820     | 170.50                | 682.00          |
| 21020-001137 | 01WPCLL8-B   | 2.25               | Green/Brown              |                       | 0.6820     | 170.50                | 682.00          |



WPC DRIPPER

**NOTE:** On-Line Drippers Sold in Bag or Case Quantities ONLY

## WOODPECKER PRESSURE COMPENSATING JUNIOR DRIPPERS (WPCJ) - WITH CNL <sup>(E)</sup>

| Item Number  | Model Number | Nominal Flow (GPH) | Color Coded Inlet/Outlet | Quantity Per Case/Bag | Price Each | Price Per Case or Bag | Price Per 1,000 |
|--------------|--------------|--------------------|--------------------------|-----------------------|------------|-----------------------|-----------------|
| 21520-001051 | 01WPCJL2     | 0.53               | Red/Black                |                       | 0.3890     | 5,057.00              | 389.00          |
| 21520-001460 | 01WPCJL4     | 1.06               | Gray/Black               |                       | 0.3890     | 5,057.00              | 389.00          |
| 21520-001660 | 01WPCJL8     | 2.11               | Green/Black              |                       | 0.3890     | 5,057.00              | 389.00          |
| 21520-001698 | 01WPCJL12    | 3.2                | Plum/Black               | 13,000                | 0.3890     | 5,057.00              | 389.00          |
| 21630-001540 | 01WPCJL25    | 6.6                | Orange/Gray              |                       | 0.3890     | 5,057.00              | 389.00          |
| 21630-001740 | 01WPCJL30    | 7.9                | Orange/Brown             |                       | 0.3890     | 5,057.00              | 389.00          |
| 21630-002140 | 01WPCJL40    | 10.6               | Orange/Blue              |                       | 0.3890     | 5,057.00              | 389.00          |
| 21520-001040 | 01WPCJL2-B   | 0.53               | Red/Black                |                       | 0.4440     | 111.00                | 444.00          |
| 21520-001440 | 01WPCJL4-B   | 1.06               | Gray/Black               |                       | 0.4440     | 111.00                | 444.00          |
| 21520-001640 | 01WPCJL8-B   | 2.11               | Green/Black              |                       | 0.4440     | 111.00                | 444.00          |
| 21520-001690 | 01WPCJL12-B  | 3.2                | Plum/Black               | 250                   | 0.4440     | 111.00                | 444.00          |
| 21630-001530 | 01WPCJL25-B  | 6.6                | Orange/Gray              |                       | 0.4440     | 111.00                | 444.00          |
| 21630-001730 | 01WPCJL30-B  | 7.9                | Orange/Brown             |                       | 0.4440     | 111.00                | 444.00          |
| 21630-002135 | 01WPCJL40-B  | 10.6               | Orange/Blue              |                       | 0.4440     | 111.00                | 444.00          |



WPCJ DRIPPER

**NOTE:** On-Line Drippers Sold in Bag or Case Quantities ONLY

### NOTES:

The WPC outlet requires an adapter (11WPCON) in order to use 0.125"/0.197" tubing (Model 15PVC53, 15FPE53 or 15FPEW53)  
The WPCJ outlet fits 0.125"/0.197" tubing (Model 15PVC53 or 15FPE53).

# ON-LINE DRIPPERS

## NON-PRESSURE COMPENSATING BUTTON DRIPPERS (BD) (E)

| Item Number  | Model Number | Nominal Flow (GPH) | Color Code | Quantity Per Case/Bag | Price Each | Price Per Case or Bag | Price Per 1,000 |
|--------------|--------------|--------------------|------------|-----------------------|------------|-----------------------|-----------------|
| 20000-001048 | 01BD2        | 0.5                | Red        |                       | 0.3292     | 3,292.00              | 329.20          |
| 20000-001250 | 01BD4        | 1.0                | Black      | 10,000                | 0.3292     | 3,292.00              | 329.20          |
| 20000-001350 | 01BD8        | 2.0                | Green      |                       | 0.3292     | 3,292.00              | 329.20          |
| 20000-001143 | 01BD2-B      | 0.5                | Red        |                       | 0.3680     | 92.00                 | 368.00          |
| 20000-001235 | 01BD4-B      | 1.0                | Black      | 250                   | 0.3680     | 92.00                 | 368.00          |
| 20000-001333 | 01BD8-B      | 2.0                | Green      |                       | 0.3680     | 92.00                 | 368.00          |



BD DRIPPER

**NOTE:** On-Line Drippers Sold in Bag or Case Quantities ONLY

## WOODPECKER NON-PRESSURE COMPENSATING DRIPPERS (WP) (E)

| Item Number  | Model Number | Nominal Flow (GPH) | Color Code | Quantity Per Case/Bag | Price Each | Price Per Case or Bag | Price Per 1,000 |
|--------------|--------------|--------------------|------------|-----------------------|------------|-----------------------|-----------------|
| 20020-001545 | 01WP2        | 0.5                | Red        |                       | 0.5037     | 4,785.15              | 503.70          |
| 20020-001650 | 01WP4        | 1.0                | Black      | 9,500                 | 0.5037     | 4,785.15              | 503.70          |
| 20020-001750 | 01WP8        | 2.0                | Green      |                       | 0.5037     | 4,785.15              | 503.70          |
| 20020-001535 | 01WP2-B      | 0.5                | Red        |                       | 0.5710     | 142.75                | 571.00          |
| 20020-001635 | 01WP4-B      | 1.0                | Black      | 250                   | 0.5710     | 142.75                | 571.00          |
| 20020-001735 | 01WP8-B      | 2.0                | Green      |                       | 0.5710     | 142.75                | 571.00          |



WP DRIPPER

The nominal flow rate in liters per hour is indicated on the cap:

2 = 0.53 GPH, 4 = 1.06 GPH and 8 = 2.11 GPH

The WP barbed outlet fits 0.160"/0.220" Flex tubing (Model 15016022).

**NOTE:** On-Line Drippers Sold in Bag or Case Quantities ONLY



1



2

## ACCESSORIES (E)

| Key | Item Number  | Model Number | Description                               | Price Each |
|-----|--------------|--------------|---|------------|
| 1   | 32000-001010 | 1107737-B    | Dual Goof Plug - 3 mm/7 mm (Bag of 10 ea) | 2.50       |
| 2   | 45000-001200 | 682901033    | Plastic Hole Punch - 0.125", 3 mm         | 32.00      |



# PIPE & TUBING

|  |    |
|--|----|
| Quick Selection Guide for Commonly Sold Products ..... | 62 |
| FlexNet™ Flexible Pipe .....                           | 63 |
| FlexNet™ High Pressure Flexible Pipe .....             | 64 |
| Polyethylene Tubing .....                              | 65 |
| Micro-Tubing .....                                     | 66 |
| Oval Tube .....  | 66 |
| Riser Line .....                                       | 66 |
| QFlex Riser .....                                      | 67 |
| FlexNet™ Fittings and Accessories .....                | 68 |
| FlexNet™ Start Connectors .....                        | 69 |
| Oval Tube Accessories .....                            | 69 |

# PIPE & TUBING

## QUICK SELECTION GUIDE FOR COMMONLY SOLD POLYETHYLENE AND OVAL TUBING NOT SUBJECT TO MINIMUM ORDER QUANTITY REQUIREMENTS (MOQ)

Netafim USA has a wide selection of polyethylene and oval tubing to fit numerous applications. Some products are stocking items which are not subject to minimum order quantity requirements and the following charts list those tubing options.

### POLYETHYLENE COILS PER PALLET

| Product                   | Coils Per Pallet |
|---------------------------|------------------|
| Black Polyethylene        | 20               |
| Bright White Polyethylene | 20               |

### POLYETHYLENE TUBING - BLACK <sup>(M)</sup>

| Model Number  | Nominal Inside Diameter | Nominal Outside Diameter | Nominal Wall Thickness | Coil Length | Price Per 1,000' |
|---------------|-------------------------|--------------------------|------------------------|-------------|------------------|
| 14037545      | 0.375"                  | 0.450"                   | 0.375"                 | 1,000'      | Call for Quote   |
| 14052062-01   | 0.520"                  | 0.620"                   | 0.050"                 | 100'        |                  |
| 14052062-05   | 0.520"                  | 0.620"                   | 0.050"                 | 500'        | Call for Quote   |
| 14052062      | 0.520"                  | 0.620"                   | 0.050"                 | 1,000'      |                  |
| 14057066-01   | 0.570"                  | 0.660"                   | 0.045"                 | 100'        |                  |
| 14057066-05   | 0.570"                  | 0.660"                   | 0.045"                 | 500'        | Call for Quote   |
| 14057066      | 0.570"                  | 0.660"                   | 0.045"                 | 1,000'      |                  |
| 14060070-01   | 0.600"                  | 0.700"                   | 0.050"                 | 100'        |                  |
| 14060070-05   | 0.600"                  | 0.700"                   | 0.050"                 | 500'        | Call for Quote   |
| 14006070      | 0.600"                  | 0.700"                   | 0.050"                 | 1,000'      |                  |
| 14061071-01   | 0.610"                  | 0.710"                   | 0.050"                 | 100'        | Call for Quote   |
| 14062071-01   | 0.620"                  | 0.710"                   | 0.045"                 | 100'        |                  |
| 14062071-05   | 0.620"                  | 0.710"                   | 0.045"                 | 500'        | Call for Quote   |
| 14062072      | 0.620"                  | 0.720"                   | 0.050"                 | 1,000'      |                  |
| 14069079      | 0.690"                  | 0.790"                   | 0.050"                 | 1,000'      | Call for Quote   |
| 14070080      | 0.700"                  | 0.800"                   | 0.050"                 | 1,000'      | Call for Quote   |
| 14072082      | 0.720"                  | 0.820"                   | 0.050"                 | 1,000'      | Call for Quote   |
| 14072083      | 0.720"                  | 0.830"                   | 0.055"                 | 1,000'      | Call for Quote   |
| 14072084      | 0.720"                  | 0.840"                   | 0.060"                 | 1,000'      | Call for Quote   |
| 14082093-1000 | 0.820"                  | 0.930"                   | 0.055"                 | 1,000'      | Call for Quote   |
| 14082094-01   | 0.820"                  | 0.940"                   | 0.060"                 | 100'        |                  |
| 14082094      | 0.820"                  | 0.940"                   | 0.060"                 | 500'        | Call for Quote   |
| 14082094-1000 | 0.820"                  | 0.940"                   | 0.060"                 | 1,000'      |                  |
| 14083094-01   | 0.830"                  | 0.940"                   | 0.055"                 | 510'        |                  |
| 14083094      | 0.830"                  | 0.940"                   | 0.055"                 | 500'        | Call for Quote   |
| 14083094-1000 | 0.830"                  | 0.940"                   | 0.055"                 | 1,000'      |                  |
| 14106120-01   | 1.06"                   | 1.200"                   | 0.070"                 | 100'        |                  |
| 14106120      | 1.06"                   | 1.200"                   | 0.070"                 | 500'        | Call for Quote   |
| 14106120-66   | 1.06"                   | 1.200"                   | 0.070"                 | 660'        |                  |

### OVAL TUBE <sup>(M)</sup>

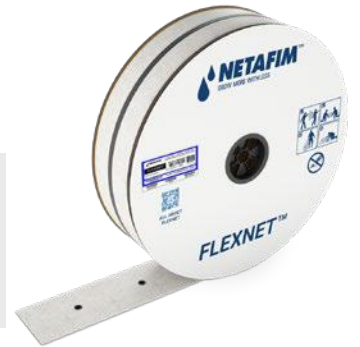
| Model Number  | Nominal Size | Pressure Rating (psi) | Coil Length | Nominal I.D. | Nominal O.D. | Price Per Coil |
|---------------|--------------|-----------------------|-------------|--------------|--------------|----------------|
| OT1.25-42-400 | 1.25"        | 42                    | 400'        | 1.365"       | 1.499"       | Call for Quote |
| OT1.50-21-600 | 1.50"        | 21                    | 600'        | 1.595"       | 1.675"       | Call for Quote |
| OT1.50-42-350 | 1.50"        | 42                    | 350'        | 1.595"       | 1.758"       |                |
| OT2.00-21-450 | 2.00"        | 21                    | 450'        | 2.052"       | 2.154"       | Call for Quote |
| OT2.00-42-250 | 2.00"        | 42                    | 250'        | 2.052"       | 2.261"       |                |
| OT3.00-21-200 | 3.00"        | 21                    | 200'        | 3.042"       | 3.188"       | Call for Quote |
| OT4.00-21-130 | 4.00"        | 21                    | 130'        | 3.996"       | 4.186"       | Call for Quote |

# PIPE & TUBING

## FLEXNET™ FLEXIBLE PIPE



| Item Number  | Model Number    | Nominal Size | Outlet Spacing | Coil Length | Weight Per Coil | Coils Per Pallet | Price Per Coil |
|--------------|-----------------|--------------|----------------|-------------|-----------------|------------------|----------------|
| 43003-005242 | 05FX02PIPE50-30 |              | 30"            |             |                 |                  | 978.00         |
| 43003-005342 | 05FX02PIPE50-36 |              | 36"            |             |                 |                  | 934.00         |
| 43003-005442 | 05FX02PIPE50-40 | 2"           | 40"            | 328'        | 33 lbs.         | 22               | 912.00         |
| 43003-005542 | 05FX02PIPE50-60 |              | 60"            |             |                 |                  | 847.00         |
| 43003-005642 | 05FX02PIPE50-72 |              | 72"            |             |                 |                  | 825.00         |
| 43003-005742 | 05FX02PIPE50-80 |              | 80"            |             |                 |                  | 814.00         |
| 43003-005942 | 05FX03PIPE50-30 |              | 30"            |             |                 |                  | 1,238.00       |
| 43003-006042 | 05FX03PIPE50-36 |              | 36"            |             |                 |                  | 1,194.00       |
| 43003-006242 | 05FX03PIPE50-40 | 3"           | 40"            | 328'        | 46 lbs.         | 14               | 1,172.00       |
| 43003-006342 | 05FX03PIPE50-60 |              | 60"            |             |                 |                  | 1,107.00       |
| 43003-006400 | 05FX03PIPE50-72 |              | 72"            |             |                 |                  | 1,085.00       |
| 43003-006442 | 05FX03PIPE50-80 |              | 80"            |             |                 |                  | 1,074.00       |
| 43003-006642 | 05FX04PIPE50-30 |              | 30"            |             |                 |                  | 1,381.00       |
| 43003-006672 | 05FX04PIPE50-36 |              | 36"            |             |                 |                  | 1,337.00       |
| 43003-006842 | 05FX04PIPE50-40 | 4"           | 40"            | 328'        | 60 lbs.         | 12               | 1,315.00       |
| 43003-006942 | 05FX04PIPE50-60 |              | 60"            |             |                 |                  | 1,250.00       |
| 43003-006962 | 05FX04PIPE50-72 |              | 72"            |             |                 |                  | 1,228.00       |
| 43003-007042 | 05FX04PIPE50-80 |              | 80"            |             |                 |                  | 1,217.00       |
| 43003-007342 | 05FX06PIPE50-30 |              | 30"            |             |                 |                  | 1,830.00       |
| 43003-007442 | 05FX06PIPE50-36 |              | 36"            |             |                 |                  | 1,786.00       |
| 43003-007642 | 05FX06PIPE50-40 | 6"           | 40"            | 328'        | 82 lbs.         | 6                | 1,764.00       |
| 43003-007742 | 05FX06PIPE50-60 |              | 60"            |             |                 |                  | 1,699.00       |
| 43003-007842 | 05FX06PIPE50-72 |              | 72"            |             |                 |                  | 1,677.00       |
| 43003-007942 | 05FX06PIPE50-80 |              | 80"            |             |                 |                  | 1,666.00       |
| 43003-008042 | 05FX08PIPE50-30 |              | 30"            |             |                 |                  | 2,640.00       |
| 43003-008057 | 05FX08PIPE50-36 |              | 36"            |             |                 |                  | 2,596.00       |
| 43003-008142 | 05FX08PIPE50-40 | 8"           | 40"            | 328'        | 108 lbs.        | 6                | 2,574.00       |
| 43003-008172 | 05FX08PIPE50-60 |              | 60"            |             |                 |                  | 2,509.00       |
| 43003-008182 | 05FX08PIPE50-72 |              | 72"            |             |                 |                  | 2,487.00       |
| 43003-008202 | 05FX08PIPE50-80 |              | 80"            |             |                 |                  | 2,476.00       |
| 43002-000179 | 05FX02          | 2"           |                |             | 31 lbs.         | 22               | 715.00         |
| 43002-000199 | 05FX03          | 3"           |                |             | 44 lbs.         | 14               | 975.00         |
| 43002-000205 | 05FX04          | 4"           | BLANK PIPE     | 328'        | 57 lbs.         | 12               | 1,118.00       |
| 43002-000222 | 05FX06          | 6"           |                |             | 79 lbs.         | 6                | 1,567.00       |
| 43002-000237 | 05FX08          | 8"           |                |             | 106 lbs.        | 6                | 2,377.00       |



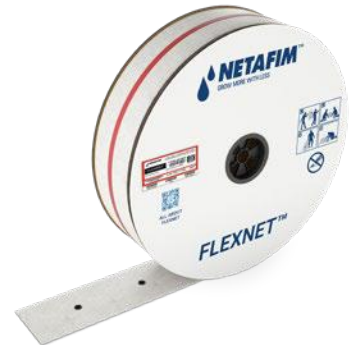
### CUSTOM PRODUCTS

Outlet spacings not listed above. Call Netafim USA Customer Service for quote and delivery timelines. Minimum order requirements and longer lead times apply. No returns on Custom Products.

# PIPE & TUBING

## FLEXNET™ HIGH PRESSURE FLEXIBLE PIPE

| Item Number  | Model Number       | Nominal Size | Outlet Spacing | Coil Length | Weight Per Coil | Coils Per Pallet | Price Per Coil |
|--------------|--------------------|--------------|----------------|-------------|-----------------|------------------|----------------|
| 43001-000110 | 05FXHP02PIPE50-20  |              | 20"            |             |                 |                  | 1,406.00       |
| 43001-000100 | -                  |              | 32"            |             |                 |                  | 958.00         |
| 43001-000056 | 05FXHP02PIPE50-120 | 2"           | 120"           | 328'        | 46 lbs.         | 22               | 1,078.00       |
| 43001-000048 | 05FXHP02PIPE50-192 |              | 192"           |             |                 |                  | 1,054.00       |
| 43001-000150 | 05FXHP02PIPE50-240 |              | 240"           |             |                 |                  | 1,077.00       |
| 43001-000053 | 05FXHP03PIPE50-72  |              | 72"            |             |                 |                  | 1,711.00       |
| 43001-000046 | 05FXHP04PIPE50-22  |              | 22"            |             |                 |                  | 2,355.00       |
| 43001-000041 | 05FXHP04PIPE50-24  | 3"           | 24"            | 328'        | 64 lbs.         | 14               | 2,326.00       |
| 43001-000051 | 05FXHP04PIPE50-34  |              | 34"            |             |                 |                  | 2,229.00       |
| 43001-001980 | 05FXHP04PIPE50-40  |              | 40"            |             |                 |                  | 2,194.00       |
| 43001-000045 | 05FXHP04PIPE50-60  |              | 60"            |             |                 |                  | 2,129.00       |
| 43001-000044 | 05FXHP04PIPE50-72  |              | 72"            |             |                 |                  | 2,107.00       |
| 43001-000038 | 05FXHP04PIPE50-80  |              | 80"            |             |                 |                  | 2,096.00       |
| 43001-000055 | 05FXHP04PIPE50-168 | 4"           | 168"           | 328'        | 84 lbs.         | 12               | 2,044.00       |
| 43001-000052 | 05FXHP04PIPE50-180 |              | 180"           |             |                 |                  | 2,041.00       |
| 43001-000042 | 05FXHP04PIPE50-295 |              | 295"           |             |                 |                  | 2,024.00       |
| 43001-000040 | 05FXHP04PIPE50-360 |              | 360"           |             |                 |                  | 2,019.00       |
| 43001-000037 | 05FXHP06PIPE50-20  |              | 20"            |             |                 |                  | 3,362.00       |
| 43001-000047 | 05FXHP06PIPE50-36  |              | 36"            |             |                 |                  | 3,187.00       |
| 43001-003802 | 05FXHP06PIPE50-40  | 6"           | 40"            | 328'        | 112 lbs.        | 6                | 3,165.00       |
| 43001-000043 | 05FXHP06PIPE50-72  |              | 72"            |             |                 |                  | 3,078.00       |
| 43001-000036 | 05FXHP06PIPE50-80  |              | 80"            |             |                 |                  | 3,067.00       |
| 43001-000050 | 05FXHP06PIPE50-300 |              | 300"           |             |                 |                  | 2,995.00       |
| 43001-000054 | 05FXHP08PIPE50-20  |              | 20"            |             |                 |                  | 4,279.00       |
| 43001-000039 | 05FXHP08PIPE50-36  | 8"           | 36"            | 328'        | 150 lbs.        | 6                | 4,104.00       |
| 43001-000049 | 05FXHP08PIPE50-300 |              | 300"           |             |                 |                  | 3,912.00       |
| 43000-000530 | 05FNHP02           | 2"           |                |             | 44 lbs.         | 22               | 1,012.00       |
| 43000-000560 | 05FNHP03           | 3"           | BLANK          |             | 62 lbs.         | 14               | 1,601.00       |
| 43000-000600 | 05FNHP04           | 4"           | PIPE           | 328'        | 80 lbs.         | 12               | 1,997.00       |
| 43000-000670 | -                  | 6"           |                |             | 110 lbs.        | 6                | 2,968.00       |
| 43000-000680 | 05FXHP08           | 8"           |                |             | 147 lbs.        | 6                | 3,885.00       |



### CUSTOM PRODUCTS

Outlet spacings not listed above. Call Netafim USA Customer Service for quote and delivery timelines. Minimum order requirements and longer lead times apply. No returns on Custom Products.



# PIPE & TUBING



## POLYETHYLENE TUBING - BLACK

(M)

| Item Number  | Model Number  | Nominal Inside Diameter | Nominal Outside Diameter | Nominal Wall Thickness | Max. Working Pressure | Nominal Diameter (mm) | Coil Length | Price Per 1,000' |
|--------------|---------------|-------------------------|--------------------------|------------------------|-----------------------|-----------------------|-------------|------------------|
| 19951-000171 | 14040049      | 0.400"                  | 0.490"                   | 0.045"                 | 75 psi                | 10.2 x 12.5           | 1,000'      | Call for Quote   |
| 40510-000025 | 14052062-05   | 0.520"                  | 0.620"                   | 0.050"                 | 55 psi                | 14.5 x 16.8           | 500'        | Call for Quote   |
| 40510-000003 | 14052062      | 0.520"                  | 0.620"                   | 0.050"                 | 66 psi                | 13.2 x 15.8           | 1,000'      |                  |
| 19951-000107 | 14057066      | 0.570"                  | 0.660"                   | 0.045"                 | 66 psi                | 13.2 x 15.8           | 1,000'      | Call for Quote   |
| 19951-000062 | 14057066-05   | 0.570"                  | 0.660"                   | 0.045"                 | 55 psi                | 14.5 x 16.8           | 500'        |                  |
| 19951-000014 | 14060070      | 0.600"                  | 0.700"                   | 0.050"                 | 58 psi                | 15.2 x 17.8           | 1,000'      | Call for Quote   |
| 40510-000036 | 14060070-05   | 0.600"                  | 0.700"                   | 0.050"                 | 58 psi                | 15.2 x 17.8           | 500'        |                  |
| 40510-000052 | 14062071      | 0.620"                  | 0.710"                   | 0.045"                 | 51 psi                | 15.8 x 18.0           | 1,000'      | Call for Quote   |
| 40510-000007 | 14062071-05   | 0.620"                  | 0.710"                   | 0.045"                 | 51 psi                | 15.8 x 18.0           | 500'        |                  |
| 19951-000327 | 14069079      | 0.690"                  | 0.790"                   | 0.050"                 | 51 psi                | 17.5 x 20.1           | 1,000'      | Call for Quote   |
| 40510-000010 | 14070080      | 0.700"                  | 0.800"                   | 0.050"                 | 50 psi                | 18.3 x 20.8           | 1,000'      | Call for Quote   |
| 40510-000012 | 14072082      | 0.720"                  | 0.820"                   | 0.050"                 | 49 psi                | 18.3 x 20.8           | 1,000'      | Call for Quote   |
| 19951-000019 | 14072083      | 0.720"                  | 0.830"                   | 0.055"                 | 53 psi                | 18.3 x 21.1           | 1,000'      | Call for Quote   |
| 19951-000020 | 14072084      | 0.720"                  | 0.840"                   | 0.060"                 | 58 psi                | 18.3 x 21.3           | 1,000'      | Call for Quote   |
| 40510-000016 | 14074084      | 0.740"                  | 0.840"                   | 0.050"                 | 48 psi                | 18.8 x 21.3           | 1,000'      | Call for Quote   |
| 19951-000178 | 14082093      | 0.820"                  | 0.930"                   | 0.055"                 | 47 psi                | 20.8 x 23.6           | 500'        | Call for Quote   |
| 40510-000067 | 14082093-1000 | 0.820"                  | 0.930"                   | 0.055"                 | 47 psi                | 20.8 x 23.6           | 1,000'      |                  |
| 40510-000018 | 14082094      | 0.820"                  | 0.940"                   | 0.060"                 | 51 psi                | 20.8 x 23.9           | 500'        | Call for Quote   |
| 19951-000026 | 14082094-1000 | 0.820"                  | 0.940"                   | 0.060"                 | 51 psi                | 20.8 x 23.9           | 1,000'      |                  |
| 40510-000019 | 14083094      | 0.830"                  | 0.940"                   | 0.055"                 | 46 psi                | 21.1 x 23.9           | 500'        | Call for Quote   |
| 19951-000027 | 14083094-1000 | 0.830"                  | 0.940"                   | 0.055"                 | 46 psi                | 21.1 x 23.9           | 1,000'      |                  |
| 40510-000020 | 14106120      | 1.060"                  | 1.200"                   | 0.070"                 | 47 psi                | 26.9 x 30.5           | 500'        | Call for Quote   |
| 19951-000206 | 14106120-25   | 1.060"                  | 1.200"                   | 0.070"                 | 44 psi                | 26.9 x 30.5           | 250'        |                  |

## POLYETHYLENE TUBING - MADE TO ORDER PRODUCTS

Products listed in this Price List and not identified on the Quick Selection Guide for Commonly Sold Polyethylene and Oval Tube. Minimum order requirement is two (2) pallets or (40) coils.

## POLYETHYLENE TUBING - CUSTOM PRODUCTS

Products not listed in this Price List. Minimum order requirement is two (2) pallets or (40) coils. Please call Netafim USA Customer Service for Quote and Delivery Timelines.

## POLYETHYLENE PRE-PUNCHED TUBING

Available on Polyethylene Tubing with Nominal Wall Thickness of 0.050".  
SPECIAL ORDER ONLY - Requires a minimum order requirement of two (2) pallets or (40) coils.  
Please call Netafim USA Customer Service for Quote and Delivery Timelines.

## POLYETHYLENE TUBING WITH PRE-INSTALLED VINELINE CLIPS

Available on select sizes of Polyethylene Tubing.  
SPECIAL ORDER ONLY - Requires a minimum order requirement of two (2) pallets or (40) coils.  
Please call Netafim USA Customer Service for Quote and Delivery Timelines.

## BRIGHT WHITE POLYETHYLENE TUBING - MADE TO ORDER

Requires a minimum order of one (1) pallet or (20) coils. Please call Netafim USA Customer Service for Quote and Delivery Timelines.

## BRIGHT WHITE POLYETHYLENE TUBING - CUSTOM PRODUCTS

Requires a minimum order of one (1) pallet or (20) coils. Please call Netafim USA Customer Service for Quote and Delivery Timelines.

# PIPE & TUBING

## MICRO-TUBING (M)

| Item Number  | Model Number | Nominal Inside Diameter | Nominal Outside Diameter | Coil Length | Price Per 1,000' | Price Per Coil |
|--------------|--------------|-------------------------|--------------------------|-------------|------------------|----------------|
| 40001-000700 | 15016022     | 0.160"                  | 0.220"                   | 1,000'      | 143.00           | 160.00         |
| 76301-000002 | 15PVC53      | 0.125"                  | 0.197"                   | 1,000'      | 142.50           | 160.00         |
| 40001-002000 | 15FPE53      | 0.125"                  | 0.197"                   | 3,000'      | 81.20            | 90.00          |



## OVAL TUBE (M)

| Item Number  | Model Number  | Nominal Size | Pressure Rating (psi) | Coil Length | Nominal I.D. | Nominal O.D. | Coil Weight | Price Per Coil |
|--------------|---------------|--------------|-----------------------|-------------|--------------|--------------|-------------|----------------|
| 19953-000174 | OT1.25-29-500 | 1.25"        | 29                    | 500'        | 1.365"       | 1.461"       | 43 lbs.     | Call for Quote |
| 19953-000175 | OT1.25-42-400 | 1.25"        | 42                    | 400'        | 1.365"       | 1.499"       | 49 lbs.     |                |
| 19953-000176 | OT1.50-21-600 | 1.50"        | 21                    | 600'        | 1.595"       | 1.675"       | 52 lbs.     | Call for Quote |
| 19953-000177 | OT1.50-42-350 | 1.50"        | 42                    | 350'        | 1.595"       | 1.758"       | 62 lbs.     |                |
| 19953-000178 | OT2.00-21-450 | 2.00"        | 21                    | 450'        | 2.052"       | 2.154"       | 62 lbs.     | Call for Quote |
| 19953-000179 | OT2.00-42-250 | 2.00"        | 42                    | 250'        | 2.052"       | 2.261"       | 70 lbs.     |                |
| 19953-000180 | OT2.50-21-350 | 2.50"        | 21                    | 350'        | 2.450"       | 2.567"       | 64 lbs.     | Call for Quote |
| 19953-000181 | OT3.00-21-200 | 3.00"        | 21                    | 200'        | 3.042"       | 3.188"       | 57 lbs.     | Call for Quote |
| 19953-000182 | OT4.00-21-130 | 4.00"        | 21                    | 130'        | 3.996"       | 4.186"       | 63 lbs.     | Call for Quote |

**NOTE:** 1.25", 1.50", 2.00" and 2.50" Oval Tube - 12 coils per pallet.  
3.00" and 4.00" Oval Tube - 20 coils per pallet.

**MADE TO STOCK ORDERS** - Products listed in this Price List and not identified on the Quick Selection Guide for Commonly Sold Polyethylene and Oval Tubing. Minimum order requirement is one (1) pallet or (12 or 20) coils.

**CUSTOM ORDERS** - Products not listed in this Price List. Minimum order requirement (1) pallet or (12 or 20) coils.

## RISER LINE (M)



| Item Number  | Model Number | Description                        | Use With        | Coil Length | Price Each |
|--------------|--------------|------------------------------------|-----------------|-------------|------------|
| 19951-000092 | 14051061-OD  | 0.510" x 0.610" O.D. PE Riser Line | .636"/.638" TWD | 1,000'      | Call       |
| 19951-000089 | 14070082-OD  | 0.700" x 0.820" O.D. PE Riser Line | .875" TWD       | 1,000'      | For        |
| 40510-000863 | 14082094-OD  | 0.820" x 0.940" O.D. PE Riser Line | .990" TWD       | 1,000'      | Quote      |

O.D. = Outside Diameter  
PE = Polyethylene Tubing  
TWD = Thinwall Dripline

# PIPE & TUBING

## QFLEX LP RISERS



| Item Number  | Model Number       | Description                            | Size            | Length | Size                 | Qty Per Box | Price Each | List Price |
|--------------|--------------------|--|-----------------|--------|----------------------|-------------|------------|------------|
| 32015-000220 | QFL50MXT630RL24-B  | QFLEX LP 050 MPT X T630 RL 24" 400/C   |                 | 24"    |                      | 400         | 4.12       | 1,648.00   |
| 32015-000221 | QFL50MXT630RL30-B  | QFLEX LP 050 MPT X T630 RL 30" 400/C   |                 | 30"    |                      | 400         | 4.58       | 1,831.00   |
| 32015-000222 | QFL50MXT630RL40-B  | QFLEX LP 050 MPT X T630 RL 40" 200/C   | 1/2" MPT        | 40"    | 5/8" Ring Loc        | 200         | 5.32       | 1,064.00   |
| 32015-000223 | QFL50MXT630RL48-B  | QFLEX LP 050 MPT X T630 RL 48" 200/C   |                 | 48"    |                      | 200         | 6.13       | 1,226.00   |
| 32015-000228 | QFL50MXT630TL24-B  | QFLEX LP 050 MPT X T630 TL 24" 300/C   |                 | 24"    |                      | 300         | 4.37       | 1,310.00   |
| 32015-000229 | QFL50MXT630TL30-B  | QFLEX LP 050 MPT X T630 TL 30" 300/C   | 1/2" MPT        | 30"    | 5/8" Twist Loc       | 300         | 4.82       | 1,447.00   |
| 32015-000230 | QFL50MXT630TL40-B  | QFLEX LP 050 MPT X T630 TL 40" 150/C   |                 | 40"    |                      | 150         | 5.57       | 835.00     |
| 32015-000231 | QFL50MXT630TL48-B  | QFLEX LP 050 MPT X T630 TL 48" 150/C   |                 | 48"    |                      | 150         | 6.37       | 956.00     |
| 32015-000232 | QFL50MXH520I24-B   | QFLEX LP 050 MPT X 16 INSERT 24" 400/C |                 | 24"    |                      | 400         | 3.62       | 1,448.00   |
| 32015-000233 | QFL50MXH520I30-B   | QFLEX LP 050 MPT X 16 INSERT 30" 400/C | 1/2" MPT        | 30"    | 16mm Barb            | 400         | 4.08       | 1,630.00   |
| 32015-000234 | QFL50MXH520I40-B   | QFLEX LP 050 MPT X 16 INSERT 40" 200/C |                 | 40"    |                      | 200         | 4.82       | 964.00     |
| 32015-000235 | QFL50MXH520I48-B   | QFLEX LP 050 MPT X 16 INSERT 48" 200/C |                 | 48"    |                      | 200         | 5.63       | 1,125.00   |
| 32015-000268 | QFLPVCXT630RL24-B  | QFLEX LP PVC X T630 RL 24" 400/C       |                 | 24"    |                      | 400         | 4.12       | 1,648.00   |
| 32015-000269 | QFLPVCXT630RL30-B  | QFLEX LP PVC X T630 RL 30" 400/C       | Barb w/ Grommet | 30"    | 5/8" Ring Loc        | 400         | 4.58       | 1,831.00   |
| 32015-000270 | QFLPVCXT630RL40-B  | QFLEX LP PVC X T630 RL 40" 200/C       |                 | 40"    |                      | 200         | 5.32       | 1,064.00   |
| 32015-000271 | QFLPVCXT630RL48-B  | QFLEX LP PVC X T630 RL 48" 200/C       |                 | 48"    |                      | 200         | 6.13       | 1,226.00   |
| 32015-000276 | QFLPVCXT630TL24-B  | QFLEX LP PVC X T630 TL 24" 300/C       |                 | 24"    |                      | 300         | 4.37       | 1,310.00   |
| 32015-000277 | QFLPVCXT630TL30-B  | QFLEX LP PVC X T630 TL 30" 300/C       |                 | 30"    |                      | 300         | 4.82       | 1,447.00   |
| 32015-000278 | QFLPVCXT630TL40-B  | QFLEX LP PVC X T630 TL 40" 150/C       | Barb w/ Grommet | 40"    | 5/8" Twist Loc       | 150         | 5.57       | 835.00     |
| 32015-000279 | QFLPVCXT630TL48-B  | QFLEX LP PVC X T630 TL 48" 150/C       |                 | 48"    |                      | 150         | 6.37       | 956.00     |
| 32015-000280 | QFLPVCXH520I24-B   | QFLEX LP PVC X 16 INSERT 24" 400/C     |                 | 24"    |                      | 400         | 3.62       | 1,448.00   |
| 32015-000281 | QFLPVCXH520I30-B   | QFLEX LP PVC X 16 INSERT 30" 400/C     | Barb w/ Grommet | 30"    | 16mm Barb            | 400         | 4.08       | 1,630.00   |
| 32015-000282 | QFLPVCXH520I40-B   | QFLEX LP PVC X 16 INSERT 40" 200/C     |                 | 40"    |                      | 200         | 4.82       | 964.00     |
| 32015-000283 | QFLPVCXH520I48-B   | QFLEX LP PVC X 16 INSERT 48" 200/C     |                 | 48"    |                      | 200         | 5.63       | 1,125.00   |
| 32015-000300 | QFL50MXT630TLV24-B | QFLEX LP 050 MPT X T630 TLV 24" 300/C  |                 | 24"    |                      | 300         | 6.37       | 1,910.00   |
| 32015-000301 | QFL50MXT630TLV30-B | QFLEX LP 050 MPT X T630 TLV 30" 300/C  |                 | 30"    |                      | 300         | 6.82       | 2,047.00   |
| 32015-000302 | QFL50MXT630TLV40-B | QFLEX LP 050 MPT X T630 TLV 40" 150/C  | 1/2" MPT        | 40"    | 5/8" Twist Loc Valve | 150         | 7.57       | 1,135.00   |
| 32015-000303 | QFL50MXT630TLV48-B | QFLEX LP 050 MPT X T630 TLV 48" 150/C  |                 | 48"    |                      | 150         | 8.37       | 1,256.00   |



## QFLEX HP RISERS

| Item Number  | Model Number      | Description                          | Size            | Length | Size           | Qty Per Box | Price Each | List Price |
|--------------|-------------------|--------------------------------------|-----------------|--------|----------------|-------------|------------|------------|
| 32010-002500 | QFH50MXT875RL-24B | QFLEX HP 050 MPT X T875 RL 24" 200/C |                 | 24"    |                | 200         | 5.38       | 1,076.00   |
| 32010-003020 | QFH50MXT875RL-30B | QFLEX HP 050 MPT X T875 RL 30" 200/C |                 | 30"    |                | 200         | 5.93       | 1,185.00   |
| 32010-002501 | QFH50MXT875RL-40B | QFLEX HP 050 MPT X T875 RL 40" 100/C | 1/2" MPT        | 40"    | 7/8" Ring Loc  | 100         | 6.83       | 683.00     |
| 32010-002502 | QFH50MXT875RL-48B | QFLEX HP 050 MPT X T875 RL 48" 100/C |                 | 48"    |                | 100         | 7.76       | 776.00     |
| 32010-002520 | QFH50MXT875TL-24B | QFLEX HP 050 MPT X T875 TL 24" 200/C |                 | 24"    |                | 200         | 6.18       | 1,236.00   |
| 32010-003021 | QFH50MXT875TL-30B | QFLEX HP 050 MPT X T875 TL 30" 200/C | 1/2" MPT        | 30"    | 7/8" Twist Loc | 200         | 6.73       | 1,345.00   |
| 32010-002521 | QFH50MXT875TL-40B | QFLEX HP 050 MPT X T875 TL 40" 100/C |                 | 40"    |                | 100         | 7.63       | 763.00     |
| 32010-002522 | QFH50MXT875TL-48B | QFLEX HP 050 MPT X T875 TL 48" 100/C |                 | 48"    |                | 100         | 8.56       | 856.00     |
| 32010-002540 | QFH50MXT875WT-24B | QFLEX HP 050 MPT X T875 WT 24" 200/C |                 | 24"    |                | 200         | 3.61       | 722.00     |
| 32010-003022 | QFH50MXT875WT-30B | QFLEX HP 050 MPT X T875 WT 30" 200/C |                 | 30"    |                | 200         | 4.14       | 827.00     |
| 32010-002541 | QFH50MXT875WT-40B | QFLEX HP 050 MPT X T875 WT 40" 100/C | 1/2" MPT        | 40"    | 7/8" Wire Tie  | 100         | 5.01       | 501.00     |
| 32010-002542 | QFH50MXT875WT-48B | QFLEX HP 050 MPT X T875 WT 48" 100/C |                 | 48"    |                | 100         | 6.00       | 600.00     |
| 32010-002610 | QFHPVCT875RL-24B  | QFLEX HP PVC X T875 RL 24" 200/C     |                 | 24"    |                | 200         | 5.38       | 1,076.00   |
| 32010-003026 | QFHPVCT875RL-30B  | QFLEX HP PVC X T875 RL 30" 200/C     | Barb w/ Grommet | 30"    | 7/8" Ring Loc  | 200         | 5.83       | 1,185.00   |
| 32010-002635 | QFHPVCT875RL-40B  | QFLEX HP PVC X T875 RL 40" 100/C     |                 | 40"    |                | 100         | 6.83       | 683.00     |
| 32010-002612 | QFHPVCT875RL-48B  | QFLEX HP PVC X T875 RL 48" 100/C     |                 | 48"    |                | 100         | 7.76       | 776.00     |
| 32010-002620 | QFHPVCT875TL-24B  | QFLEX HP PVC X T875 TL 24" 200/C     |                 | 24"    |                | 200         | 6.18       | 1,236.00   |
| 32010-003027 | QFHPVCT875TL-30B  | QFLEX HP PVC X T875 TL 30" 200/C     | Barb w/ Grommet | 30"    | 7/8" Twist Loc | 200         | 6.73       | 1,345.00   |
| 32010-002621 | QFHPVCT875TL-40B  | QFLEX HP PVC X T875 TL 40" 100/C     |                 | 40"    |                | 100         | 7.63       | 763.00     |
| 32010-002622 | QFHPVCT875TL-48B  | QFLEX HP PVC X T875 TL 48" 100/C     |                 | 48"    |                | 100         | 8.56       | 856.00     |
| 32010-002630 | QFHPVCT875WT-24B  | QFLEX HP PVC X T875 WT 24" 200/C     |                 | 24"    |                | 200         | 3.61       | 722.00     |
| 32010-003028 | QFHPVCT875WT-30B  | QFLEX HP PVC X T875 WT 30" 200/C     |                 | 30"    |                | 200         | 4.14       | 827.00     |
| 32010-002631 | QFHPVCT875WT-40B  | QFLEX HP PVC X T875 WT 40" 100/C     | Barb w/ Grommet | 40"    | 7/8" Wire Tie  | 100         | 5.01       | 501.00     |
| 32010-002632 | QFHPVCT875WT-48B  | QFLEX HP PVC X T875 WT 48" 100/C     |                 | 48"    |                | 100         | 6.00       | 600.00     |
| 32010-002640 | QFH50MXH520I-24B  | QFLEX HP 050 MPT X H520I 24" 200/C   |                 | 24"    |                | 200         | 5.19       | 1,038.00   |
| 32010-003029 | QFH50MXH520I-30B  | QFLEX HP 050 MPT X H520I 30" 200/C   |                 | 30"    |                | 200         | 5.74       | 1,148.00   |
| 32010-002641 | QFH50MXH520I-40B  | QFLEX HP 050 MPT X H520I 40" 100/C   | 1/2" MPT        | 40"    | 16mm Barb      | 100         | 6.64       | 664.00     |
| 32010-002642 | QFH50MXH520I-48B  | QFLEX HP 050 MPT X H520I 48" 100/C   |                 | 48"    |                | 100         | 7.57       | 757.00     |
| 32010-002660 | QFH50MXH690I-24B  | QFLEX HP 050 MPT X H690I 24" 200/C   |                 | 24"    |                | 200         | 4.70       | 939.00     |
| 32010-003031 | QFH50MXH690I-30B  | QFLEX HP 050 MPT X H690I 30" 200/C   |                 | 30"    |                | 200         | 5.24       | 1,048.00   |
| 32010-002661 | QFH50MXH690I-40B  | QFLEX HP 050 MPT X H690I 40" 100/C   | 1/2" MPT        | 40"    | 20mm Barb      | 100         | 6.14       | 614.00     |
| 32010-002662 | QFH50MXH690I-48B  | QFLEX HP 050 MPT X H690I 48" 100/C   |                 | 48"    |                | 100         | 7.07       | 707.00     |
| 32010-002728 | QFH50MXT630RL-24B | QFLEX HP 050 MPT X T630 RL 24" 200/C |                 | 24"    |                | 200         | 5.38       | 1,076.00   |
| 32010-003038 | QFH50MXT630RL-30B | QFLEX HP 050 MPT X T630 RL 30" 200/C |                 | 30"    |                | 200         | 5.83       | 1,185.00   |
| 32010-002731 | QFH50MXT630RL-40B | QFLEX HP 050 MPT X T630 RL 40" 100/C | 1/2" MPT        | 40"    | 5/8" Ring Loc  | 100         | 6.83       | 683.00     |
| 32010-002732 | QFH50MXT630RL-48B | QFLEX HP 050 MPT X T630 RL 48" 100/C |                 | 48"    |                | 100         | 7.76       | 776.00     |
| 32010-002740 | QFHPVCT630RL-24B  | QFLEX HP PVC X T630 RL 24" 200/C     |                 | 24"    |                | 200         | 5.38       | 1,076.00   |
| 32010-003039 | QFHPVCT630RL-30B  | QFLEX HP PVC X T630 RL 30" 200/C     |                 | 30"    |                | 200         | 5.00       | 1,185.00   |
| 32010-002741 | QFHPVCT630RL-40B  | QFLEX HP PVC X T630 RL 40" 100/C     | Barb w/ Grommet | 40"    | 5/8" Ring Loc  | 100         | 6.83       | 683.00     |
| 32010-002742 | QFHPVCT630RL-48B  | QFLEX HP PVC X T630 RL 48" 100/C     |                 | 48"    |                | 100         | 7.76       | 776.00     |



# PIPE & TUBING

## QFLEX TOOLS AND ACCESSORIES

| Item Number  | Model Number     | Description                        | Qty Per Box | Price Each | List Price |
|--------------|------------------|------------------------------------|-------------|------------|------------|
| 32000-007015 | HGROMM690-B      | Grommet F/ 520/640/680 PVC Adapter | 50          | 0.74       | 37.00      |
| 45000-002755 | TDBIT16          | 16MM Drill Bit for PVC             | 1           | 80.00      |            |
| 75000-001010 | QFLEXCOUP20      | Qflex Riser Coupler HP             | 1           | 2.20       | 2.20       |
| 75000-001000 | QFLEXCOUP16      | Qflex Riser Coupler LP             | 1           | 2.20       | 2.20       |
| 78220-009655 | 05FX050STEL-B    | FlexNet Street Elbow               | 50          | 1.67       | 83.50      |
| 78220-009660 | 05FX050STEEFMF-B | FlexNet Street Tee                 | 50          | 3.20       | 160.00     |



## FLEXNET™ FITTINGS AND ACCESSORIES

| Key | Item Number  | Model Number       | Description                                 | Price Each |
|-----|--------------|--------------------|---|------------|
| 1   | 43040-018000 | 05FX02CPLRCONN     | 2" Coupler Connector Kit                    | 29.00      |
|     | 43040-018150 | 05FX03CPLRCONN     | 3" Coupler Connector Kit                    | 35.00      |
|     | 43040-018300 | 05FX04CPLRCONN     | 4" Coupler Connector Kit                    | 41.00      |
|     | 43040-031600 | 05FX06PXCPLRCONN   | 6" Coupler Connector Kit                    | 119.00     |
|     | 43040-031700 | 05FX08PXCPLRCONN   | 8" Coupler Connector Kit                    | 343.00     |
| 2   | 43040-020710 | 05FX02ENDCAP       | 2" END CAP                                  | 16.00      |
|     | 43040-020720 | 05FX03ENDCAP       | 3" END CAP                                  | 20.00      |
|     | 43040-020730 | 05FX04ENDCAP       | 4" END CAP                                  | 24.00      |
| 3   | 43040-018205 | 05FX02MPTXBARB-NPT | FX 2" NPT X 2" Barb Kit FXN MTH             | 36.00      |
|     | 43040-018210 | 05FX03MPTXBARB-NPT | FX 3" NPT X 3" Barb Kit FXN MTH             | 46.00      |
|     | 43040-018380 | 05FX04MPTXBARB-NPT | FX 4" NPT X 4" Barb Kit FXN MTH             | 60.00      |
| 4   | 43040-018605 | 05FX02SXBCONN      | 2" Spigot X Barb Connector Kit              | 17.00      |
|     | 43040-018610 | 05FX03SXBCONN      | 3" Spigot X Barb Connector Kit              | 21.00      |
|     | 43040-018381 | 05FX04SXBCONN      | 4" Spigot X Barb Connector Kit              | 60.00      |
| 4a  | 43040-032400 | 05FX06SXBCONN      | 6" Spigot X Barb Connector Kit              | 82.00      |
|     | 43040-032500 | 05FX08SXBCONN      | 8" Spigot X Barb Connector Kit              | 265.00     |
| 5   | 43040-006200 | 05FX02SEAL         | 2" Rubber Seal                              | 2.40       |
|     | 43040-006230 | 05FX03SEAL         | 3" Rubber Seal                              | 2.80       |
|     | 43040-006260 | 05FX04SEAL         | 4" Rubber Seal                              | 3.00       |
|     | 43020-010000 | 05FX06SEAL         | 6" Rubber Seal                              | 21.00      |
|     | 43020-010050 | 05FX08SEAL         | 8" Rubber Seal                              | 40.00      |
| 6   | 43020-010380 | 05FX02CLAMP        | 2" Stainless Steel Clamp                    | 6.20       |
|     | 43020-010390 | 05FX03CLAMP        | 3" Stainless Steel Clamp                    | 8.80       |
|     | 43020-010405 | 05FX04CLAMP        | 4" Stainless Steel Clamp                    | 14.00      |
|     | 43020-010415 | 05FX06CLAMP        | 6" Stainless Steel Clamp                    | 19.00      |
|     | 43020-010425 | 05FX08CLAMP        | 8" Stainless Steel Clamp                    | 21.00      |
| 7   | 42000-027105 | 05FXPLUG050MPT-B   | 1/2" MPT Short Plug (Bag Qty 50)            | 27.00      |
| 8   | 70561-000800 | AV-COMBO-050       | 1/2" Mini Combination Air Vent              | 67.00      |
| 9   | 32520-000261 | T630TLTMA050-B     | 630 Series TWD to TWD to 1/2" MPT 50/BG     | 68.50      |
|     | 32520-000281 | T875TLTMA050-B     | 875 Series TWD to TWD to 1/2" MPT 50/BG     | 93.50      |
|     | 32520-000161 | T630TLELMA050-B    | 630 Series TWD to 1/2" MPT 50/BG            | 59.00      |
|     | 32520-000181 | T875TLELMA050-B    | 875 Series TWD to 1/2" MPT 50/BG            | 73.50      |
|     | 32500-034040 | 05FX050MELX875FR-B | FX 1/2" EL MPT X TWD 875 Series FR 100BG    | 63.00      |
|     | 32500-034130 | 05FX050MTEX875FR-B | FX 1/2" TEE MPT X TWD 875 Series FR 100BG   | 104.00     |
| 10  | 42000-007000 | 05FXNETAFIXKIT     | FlexNet Patch Kit (punch, 20 plugs/washers) | 154.00     |
| 11  | 42000-007010 | 05FXNETAFIXPLUGS   | FlexNet Patch Kit (20 plugs/washers)        | 89.80      |
| 12  | 43040-018301 | 05FX04PXCNPXLFK    | FlexNet 4" Transition Coupler x LayFlat Kit | 164.00     |
|     | 43040-031606 | 05FX06PXCNPXLFK    | FlexNet 6" Transition Coupler x LayFlat Kit | 246.00     |
|     | 43040-031702 | 05FX08PXCNPXLFK    | FlexNet 8" Transition Coupler x LayFlat Kit | 376.00     |



# PIPE & TUBING



①



②



③

## FLEXNET™ START CONNECTORS

Ⓥ

| Key | Item Number  | Model Number       | Description                              | Qty Per Bag | Price Per Bag |
|-----|--------------|--------------------|--|-------------|---------------|
| 1   | 32520-000261 | T630TLTMA050-B     | 630 Series Thinwall Tee Connector        | 50          | 68.50         |
|     | 32520-000281 | T875TLTMA050-B     | 875 Series Thinwall Tee Connector        | 50          | 93.50         |
| 2   | 32520-000161 | T630TLELMA050-B    | 630 Series Thinwall Elbow Connector      | 50          | 59.00         |
|     | 32520-000181 | T875TLELMA050-B    | 875 Series Thinwall Elbow Connector      | 50          | 73.50         |
| -   | 32500-034130 | 05FX050MTEX875FR-B | 875 Series TWD Tee Connector Fast Ring   | 100         | 104.00        |
|     | 32500-034040 | 05FX050MELX875FR-B | 875 Series TWD Elbow Connector Fast Ring | 100         | 63.00         |
| 3   | 32500-012701 | 05FX50MELX16MM-B   | 16mm Elbow Connector                     | 50          | 48.50         |
|     | 32500-014515 | 05FX050MELX20MM-B  | 20mm Elbow Connector                     | 50          | 62.00         |

All Start Connectors include O-Rings



①



②

## OVAL TUBE ACCESSORIES

Ⓜ

| Key | Item Number  | Model Number  | Description                             | Punch Size | Qty Per Bag | Price Per Bag |
|-----|--------------|---------------|---|------------|-------------|---------------|
| 1   | 32520-000651 | T630TL250B-B  | 630 Series from Oval (LDPE) Tube to TWD | 10 mm      | 50          | 31.50         |
|     | 32520-000701 | T630TL400B-B  | 630 Series from Oval (LDPE) Tube to TWD | 10 mm      | 50          | 25.50         |
|     | 32520-000431 | T630TL700B-B  | 630 Series from Oval (LDPE) Tube to TWD | 10 mm      | 50          | 81.50         |
|     | 32520-000711 | T875TL400B-B  | 875 Series from Oval (LDPE) Tube to TWD | 10 mm      | 50          | 100.00        |
|     | 32520-000441 | T875TL700B-B  | 875 Series from Oval (LDPE) Tube to TWD | 10 mm      | 50          | 68.50         |
| 2   | 32540-000251 | T630TLV250B-B | 630 Series TWD x Valve x 250 Barb       | 10 mm      | 50          | \$125.50      |
|     | 32540-000701 | T630TLV400B-B | 630 Series TWD x Valve x 400 Barb       | 10 mm      | 50          | \$125.50      |
|     | 32540-000271 | T875TLV400B-B | 875 Series TWD x Valve x 400 Barb       | 10 mm      | 50          | \$150.50      |





# SPRINKLERS

|   |    |
|---|----|
| MegaNet .....                               | 72 |
| SuperNet UD - Rotating .....                | 73 |
| SuperNet - Rotating .....                   | 74 |
| SuperNet - Jet .....                        | 75 |
| SuperNet Jr. ....                           | 76 |
| NetJet .....                                | 77 |
| SuperNet and SuperNet Jr. Components .....  | 78 |
| MegaNet Components and Accessories .....    | 79 |
| SuperNet and SuperNet Jr. Accessories ..... | 80 |
| NetJet Components .....                     | 80 |

# SPRINKLERS



## MEGANET - ROTATING SPRINKLER

Standard In-Stock Items - Available to ship within 2 business days - subject to order quantity

(E)

| Item Number  | Model Number | Description                         | Nominal Flow Rate | Trajectory | Price Each |
|--------------|--------------|-------------------------------------|-------------------|------------|------------|
| 63600-001700 | MGN24D-088HO | Sprinkler Head Only - Yellow Nozzle | 0.88 GPM          | High - 24° | 9.00       |
| 63600-001750 | MGN24D-110HO | Sprinkler Head Only - Purple Nozzle | 1.10 GPM          |            | 9.00       |
| 63600-001000 | MGN24D-154HO | Sprinkler Head Only - Green Nozzle  | 1.54 GPM          |            | 9.00       |
| 63600-002000 | MGN24D-198HO | Sprinkler Head Only - Blue Nozzle   | 1.98 GPM          |            | 9.00       |
| 63600-003000 | MGN24D-242HO | Sprinkler Head Only - Brown Nozzle  | 2.42 GPM          |            | 9.00       |
| 63600-004000 | MGN24D-286HO | Sprinkler Head Only - Orange Nozzle | 2.86 GPM          |            | 9.00       |
| 63600-004500 | MGN24D-330HO | Sprinkler Head Only - Red Nozzle    | 3.30 GPM          |            | 9.00       |
| 63600-004900 | MGN15D-088HO | Sprinkler Head Only - Yellow Nozzle | 0.88 GPM          | Low - 15°  | 9.00       |
| 63600-004950 | MGN15D-110HO | Sprinkler Head Only - Purple Nozzle | 1.10 GPM          |            | 9.00       |
| 63600-005000 | MGN15D-154HO | Sprinkler Head Only - Green Nozzle  | 1.54 GPM          |            | 9.00       |
| 63600-006000 | MGN15D-198HO | Sprinkler Head Only - Blue Nozzle   | 1.98 GPM          |            | 9.00       |
| 63600-007000 | MGN15D-242HO | Sprinkler Head Only - Brown Nozzle  | 2.42 GPM          |            | 9.00       |
| 63600-008000 | MGN15D-286HO | Sprinkler Head Only - Orange Nozzle | 2.86 GPM          |            | 9.00       |

Nominal flow rate at 33 psi.



# SPRINKLERS

## SUPERNET UD ROTATING ORDERING GUIDELINES

|            |                        |                    |   |  |                              |
|------------|------------------------|--------------------|---|--|------------------------------|
| <b>035</b> | <b>Inlet Connector</b> | <b>Swivel</b>      | <b>Model</b>  | <b>Tube Length</b>                                 | <b>Weight</b>                |
|            | Quick Connect Thread 2 | Upside Down (UD) 7 | Brown 030<br>Sky Blue 035<br>Blue 040<br>Green 050<br>Gray 058<br>Black 070<br>Orange 090 | No Tube 00<br>12" 12<br>18" 18<br>24" 24<br>30" 30 | With Weight 1<br>No Weight 0 |

## SUPERNET UD ROTATING - FLOW REGULATED MICRO-SPRINKLER

Available to ship within 10 business days - subject to order quantity

(E)

| Item Number  | Model Number | Description                    | Nominal Flow Rate | Quantity Per Bundle | Price Each |
|--------------|--------------|--------------------------------|-------------------|---------------------|------------|
| 63500-000021 | 035270300000 | Sprinkler Head Only - Brown    | 7.9 GPH           |                     | 4.06       |
| 63500-000044 | 035270350000 | Sprinkler Head Only - Sky Blue | 9.2 GPH           |                     | 4.06       |
| 63500-000029 | 035270400000 | Sprinkler Head Only - Blue     | 10.6 GPH          |                     | 4.06       |
| 63500-000064 | 035270500000 | Sprinkler Head Only - Green    | 13.2 GPH          |                     | 4.06       |
| 63500-000030 | 035270580000 | Sprinkler Head Only - Gray     | 15.3 GPH          | -                   | 4.06       |
| 63500-000065 | 035270700000 | Sprinkler Head Only - Black    | 18.5 GPH          |                     | 4.06       |
| 63500-000072 | 035270900000 | Sprinkler Head Only - Orange   | 23.8 GPH          |                     | 4.06       |



# SPRINKLERS

## SUPERNET ROTATING ORDERING GUIDELINES

|            |                        |   |  |   |  |                              |
|------------|------------------------|---|--|---|--|------------------------------|
| <b>031</b> | <b>Inlet Connector</b> | <b>Swivel</b>   | <b>Model</b>   | <b>Stream Splitter</b>                          | <b>Tube Length</b>                             | <b>Stake</b>                 |
|            | Quick Connect Thread 2 | Long Range (LR) 1<br>Long Range with Stream Deflector (LRD) 2<br>Medium Range (MR) 5<br>Medium Range with Stream Deflector (MRD) 6<br>Short Range (SR) 3<br>Short Range with Stream Deflector (SRD) 4 | Purple * 020<br>Light Green 028<br>Brown 030<br>Sky Blue 035<br>Blue 040<br>Green 050<br>Gray 058<br>Black 070<br>Orange * 090 | No Splitter 0<br>1 Installed 1<br>2 Installed 2 | No Tube 00<br>30" (STD) 30<br>36" 36<br>48" 48 | No Stake 0E<br>With Stake 1E |

\* Not available with MR or MRD Swivel

## SUPERNET ROTATING - FLOW REGULATED MICRO-SPRINKLER

Standard In-Stock Items - Available to ship within 2 business days - subject to order quantity

(E)

| Item Number  | Model Number  | Description  | Nominal Flow Rate | Quantity Per Bundle | Price Each |
|--------------|---------------|--|-------------------|---------------------|------------|
| 63500-053360 | 031210200000E | Sprinkler Head Only - Purple                             | 5.3 GPH           |                     | 3.30       |
| 63500-054620 | 031210280000E | Sprinkler Head Only - Light Green                        | 7.4 GPH           |                     | 3.30       |
| 63500-054660 | 031210300000E | Sprinkler Head Only - Brown                              | 7.9 GPH           |                     | 3.30       |
| 63500-063730 | 031210350000E | Sprinkler Head Only - Sky Blue                           | 9.2 GPH           |                     | 3.30       |
| 63500-055960 | 031210400000E | Sprinkler Head Only - Blue                               | 10.6 GPH          | -                   | 3.30       |
| 63500-057260 | 031210500000E | Sprinkler Head Only - Green                              | 13.2 GPH          |                     | 3.30       |
| 63500-058560 | 031210580000E | Sprinkler Head Only - Gray                               | 15.3 GPH          |                     | 3.30       |
| 63500-059860 | 031210700000E | Sprinkler Head Only - Black                              | 18.5 GPH          |                     | 3.30       |
| 63500-061160 | 031210900000E | Sprinkler Head Only - Orange                             | 23.8 GPH          |                     | 3.30       |
| 63501-000170 | 031210200301E | Purple Full Assembly, LR Swivel, 30" Tube and Stake      | 5.3 GPH           |                     | 4.81       |
| 63501-000190 | 031210280301E | Light Green Full Assembly, LR Swivel, 30" Tube and Stake | 7.4 GPH           |                     | 4.81       |
| 63501-000200 | 031210300301E | Brown Full Assembly, LR Swivel, 30" Tube and Stake       | 7.9 GPH           |                     | 4.81       |
| 63501-000220 | 031210350301E | Sky Blue Full Assembly, LR Swivel, 30" Tube and Stake    | 9.2 GPH           |                     | 4.81       |
| 63501-000270 | 031210400301E | Blue Full Assembly, LR Swivel, 30" Tube and Stake        | 10.6 GPH          | 25                  | 4.81       |
| 63501-000320 | 031210500301E | Green Full Assembly, LR Swivel, 30" Tube and Stake       | 13.2 GPH          |                     | 4.81       |
| 63501-000350 | 031210580301E | Gray Full Assembly, LR Swivel, 30" Tube and Stake        | 15.3 GPH          |                     | 4.81       |
| 63501-000380 | 031210700301E | Black Full Assembly, LR Swivel, 30" Tube and Stake       | 18.5 GPH          |                     | 4.81       |
| 63501-000430 | 031210900301E | Orange Full Assembly, LR Swivel, 30" Tube and Stake      | 23.8 GPH          |                     | 4.81       |

## STANDARD NON-STOCK ITEMS

Available to ship within 10 business days - subject to order quantity. Requires additional assembly.

| SuperNet - Swivel Spray Options    |
|------------------------------------|
| Long Range Swivel with Deflector   |
| Medium Range Swivel                |
| Medium Range Swivel with Deflector |
| Short Range Swivel                 |
| Short Range Swivel with Deflector  |
| 1 or 2 Installed Stream Splitters  |
| No Tubing                          |
| 36" or 48" Tubing Lead             |
| No Stake                           |

## ROTATING MODELS

| Model Color | Color Code |
|-------------|------------|
| Purple      | 020        |
| Light Green | 028        |
| Brown       | 030        |
| Sky Blue    | 035        |
| Blue        | 040        |
| Green       | 050        |
| Gray        | 058        |
| Black       | 070        |
| Orange      | 090        |



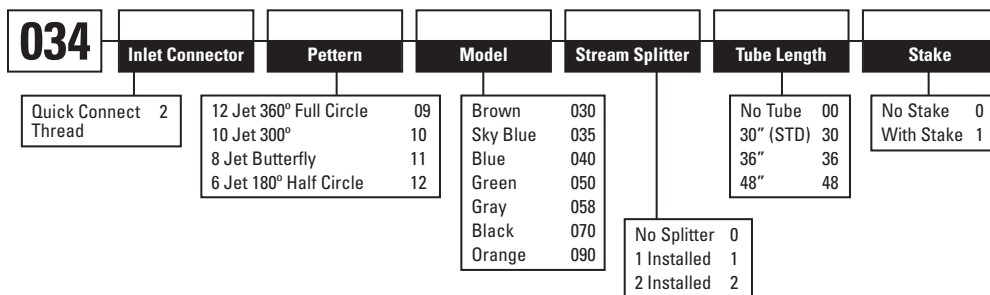
## SPECIAL ORDER NON-STOCK ITEMS

Call for Shipping Timelines.

| SuperNet - Swivel Spray Options |
|---------------------------------|
| Barb Inlet Connector            |

# SPRINKLERS

## SUPERNET JET ORDERING GUIDELINES



## SUPERNET JET - FLOW REGULATED MICRO-SPRINKLER

Standard In-Stock Items - Available to ship within 2 business days - subject to order quantity

(E)

| Item Number  | Model Number  | Description   | Nominal Flow Rate | Quantity per Bundle | Price Each |
|--------------|---------------|---|-------------------|---------------------|------------|
| 63500-096250 | 0342090300000 | Sprinkler Head Only - Brown                           | 7.9 GPH           |                     | 3.30       |
| 63500-096910 | 0342090350000 | Sprinkler Head Only - Sky Blue                        | 9.2 GPH           |                     | 3.30       |
| 63500-097550 | 0342090400000 | Sprinkler Head Only - Blue                            | 10.6 GPH          |                     | 3.30       |
| 63500-098850 | 0342090500000 | Sprinkler Head Only - Green                           | 13.2 GPH          | -                   | 3.30       |
| 63500-100150 | 0342090580000 | Sprinkler Head Only - Gray                            | 15.3 GPH          |                     | 3.30       |
| 63500-101450 | 0342090700000 | Sprinkler Head Only - Black                           | 18.5 GPH          |                     | 3.30       |
| 63500-102750 | 0342090900000 | Sprinkler Head Only - Orange                          | 23.8 GPH          |                     | 3.30       |
| 63501-000830 | 0342090300301 | Brown Full Assembly, 360° Circle, 30" Tube and Stake  | 7.9 GPH           |                     | 4.52       |
| 63501-000777 | 0342090350301 | Sky Blue Assembly, 360° Circle, 30" Tube and Stake    | 9.2 GPH           |                     | 4.52       |
| 63501-000850 | 0342090400301 | Blue Full Assembly, 360° Circle, 30" Tube and Stake   | 10.6 GPH          |                     | 4.52       |
| 63501-000880 | 0342090500301 | Green Full Assembly, 360° Circle, 30" Tube and Stake  | 13.2 GPH          | 25                  | 4.52       |
| 63501-000900 | 0342090580301 | Gray Full Assembly, 360° Circle, 30" Tube and Stake   | 15.3 GPH          |                     | 4.52       |
| 63501-000891 | 0342090700301 | Black Full Assembly, 360° Circle, 30" Tube and Stake  | 18.5 GPH          |                     | 4.52       |
| 63501-001128 | 0342090900301 | Orange Full Assembly, 360° Circle, 30" Tube and Stake | 23.8 GPH          |                     | 4.52       |

## STANDARD NON-STOCK ITEMS

Available to ship within 10 business days - subject to order quantity. Requires additional assembly.

| SuperNet - Jet Spray Options      |
|-----------------------------------|
| 10 Jet 300° Spray Pattern         |
| 8 Jet Butterfly Spray Pattern     |
| 1 or 2 Installed Stream Splitters |
| No Tubing                         |
| 36" or 48" Tubing Lead            |
| No Stake                          |

## JET MODELS

| Model Color | Color Code |
|-------------|------------|
| Brown       | 030        |
| Sky Blue    | 035        |
| Blue        | 040        |
| Green       | 050        |
| Gray        | 058        |
| Black       | 070        |
| Orange      | 090        |



## SPECIAL ORDER NON-STOCK ITEMS

Call for Shipping Timelines.

| SuperNet - Jet Spray Options |
|------------------------------|
| Barb Inlet Connector         |

# SPRINKLERS

## SUPERNET JR ORDERING GUIDELINES

|            |                        |  |   |   |  |                              |
|------------|------------------------|--|---|---|--|------------------------------|
| <b>032</b> | <b>Inlet Connector</b> | <b>Swivel</b>  | <b>Model</b>  | <b>Stream Splitter</b>                          | <b>Tube Length</b>                             | <b>Stake</b>                 |
|            | Quick Connect Thread 2 | Long Range (LR) 1<br>Long Range with Stream Deflector (LRD) 2<br>Short Range (SR) 3<br>Short Range with Stream Deflector (SRD) 4 | Brown 028<br>Blue 040<br>Gray 058<br>Black 070<br>Orange 090<br>Red 120<br>Sky Blue 150 | No Splitter 0<br>1 Installed 1<br>2 Installed 2 | No Tube 00<br>30" (STD) 30<br>36" 36<br>48" 48 | No Stake 0E<br>With Stake 1E |

## SUPERNET JR. - NON-FLOW REGULATED ROTATING MICRO-SPRINKLER

Standard In-Stock Items - Available to ship within 2 business days - subject to order quantity

(E)

| Item Number  | Model Number  | Description   | Nominal Flow Rate | Quantity per Bundle | Price Each |
|--------------|---------------|---|-------------------|---------------------|------------|
| 64000-000805 | 032210280000E | Sprinkler Head Only - Brown                           | 6.4 GPH           |                     | 2.10       |
| 64000-001010 | 032210400000  | Sprinkler Head Only - Blue                            | 9.5 GPH           |                     | 2.10       |
| 64000-002262 | 032210580000E | Sprinkler Head Only - Gray                            | 13.8 GPH          |                     | 2.10       |
| 64000-002305 | 032210700000E | Sprinkler Head Only - Black                           | 16.7 GPH          | -                   | 2.10       |
| 64000-003557 | 032210900000E | Sprinkler Head Only - Orange                          | 21.4 GPH          |                     | 2.10       |
| 64000-003610 | 032211200000E | Sprinkler Head Only - Red                             | 30.0 GPH          |                     | 2.10       |
| 64000-012507 | 032211500000E | Sprinkler Head Only - Sky Blue                        | 35.0 GPH          |                     | 2.10       |
| 64000-000807 | 032210280301E | Brown Full Assembly, LR Swivel, 30" Tube and Stake    | 6.4 GPH           |                     | 3.52       |
| 64001-000100 | 032210400301E | Blue Full Assembly, LR Swivel, 30" Tube and Stake     | 9.5 GPH           |                     | 3.52       |
| 64001-000110 | 032210580301E | Gray Full Assembly, LR Swivel, 30" Tube and Stake     | 13.8 GPH          |                     | 3.52       |
| 64001-000120 | 032210700301E | Black Full Assembly, LR Swivel, 30" Tube and Stake    | 16.7 GPH          | 25                  | 3.52       |
| 64001-000130 | 032210900301E | Orange Full Assembly, LR Swivel, 30" Tube and Stake   | 21.4 GPH          |                     | 3.52       |
| 64001-000140 | 032211200301E | Red Full Assembly, LR Swivel, 30" Tube and Stake      | 30.0 GPH          |                     | 3.52       |
| 64001-000300 | 032211500301E | Sky Blue Full Assembly, LR Swivel, 30" Tube and Stake | 35.0 GPH          |                     | 3.52       |

## STANDARD NON-STOCK ITEMS

Available to ship within 10 business days - subject to order quantity. Requires additional assembly.

| SuperNet Jr. Options              |
|-----------------------------------|
| Long Range Swivel with Deflector  |
| Short Range Swivel                |
| Short Range Swivel with Deflector |
| 1 or 2 Installed Stream Splitters |
| No Tubing                         |
| 36" or 48" Tubing Lead            |
| No Stake                          |

## SUPERNET JR. MODELS

| Model Color | Color Code |
|-------------|------------|
| Brown       | 028        |
| Blue        | 040        |
| Gray        | 058        |
| Black       | 070        |
| Orange      | 090        |



## SPECIAL ORDER NON-STOCK ITEMS

Call for Shipping Timelines.

| SuperNet Jr. Options |
|----------------------|
| Barb Inlet Connector |

# SPRINKLERS

## NETJET ORDERING GUIDELINES

|            |  |  |   |                            |
|------------|--|--|---|----------------------------|
| <b>037</b> | <b>Spray Pattern</b>   | <b>Model</b>   | <b>Tube Length</b>                      | <b>Stake</b>               |
|            | 12 Stream 360° Hi/Low 121<br>Butterfly Stream 122<br>8 Stream 210° Circle 123<br>22 Stream 360° Full Circle 125<br>12 Stream 360° Full Circle 126<br>Rectangular Stream 127<br>10 Stream 300° Tree Notch 128 | Black 08<br>Orange 78<br>Brown 28<br>Blue 18<br>Purple 68<br>Gray* 48<br>Green* 38<br>Olive* 88<br>Red* 58 | No Tube 000<br>30" (STD) 030<br>36" 036 | No Stake 0<br>With Stake 1 |

\* Non-Standard Flow

## NETJET - HIGH PERFORMANCE SPRAY JET

Standard In-Stock Items - Available to ship within 2 business days - subject to order quantity

(E)

| Item Number  | Model Number | Description  | Nominal Flow Rate | Quantity per Bundle | Price Each |
|--------------|--------------|--|-------------------|---------------------|------------|
| 00015-007000 | 037121080000 | Sprinkler Head Only - Black, 12 Stream, 360° Hi/Low  | 6.8 GPH           |                     | 0.80       |
| 00015-007750 | 037121780000 | Sprinkler Head Only - Orange, 12 Stream, 360° Hi/Low | 7.6 GPH           |                     | 0.80       |
| 00015-007200 | 037121280000 | Sprinkler Head Only - Brown, 12 Stream, 360° Hi/Low  | 8.7 GPH           | -                   | 0.80       |
| 00015-007100 | 037121180000 | Sprinkler Head Only - Blue, 12 Stream, 360° Hi/Low   | 11.1 GPH          |                     | 0.80       |
| 00015-007550 | 037121680000 | Sprinkler Head Only - Purple, 12 Stream, 360° Hi/Low | 13.1 GPH          |                     | 0.80       |
| 00015-007050 | 037121080301 | Black Full Assy, 360° Hi/Low, 30" Tube and Stake     | 6.8 GPH           |                     | 1.94       |
| 00015-007800 | 037121780301 | Orange Full Assy, 360° Hi/Low, 30" Tube and Stake    | 7.6 GPH           |                     | 1.94       |
| 00015-007250 | 037121280301 | Brown Full Assy, 360° Hi/Low, 30" Tube and Stake     | 8.7 GPH           | 25                  | 1.94       |
| 00015-007150 | 037121180301 | Blue Full Assy, 360° Hi/Low, 30" Tube and Stake      | 11.1 GPH          |                     | 1.94       |
| 00015-007650 | 037121680301 | Purple Full Assy, 360° Hi/Low, 30" Tube and Stake    | 13.1 GPH          |                     | 1.94       |

## SPECIAL ORDER NON-STOCK ITEMS

Call for Shipping Timelines.

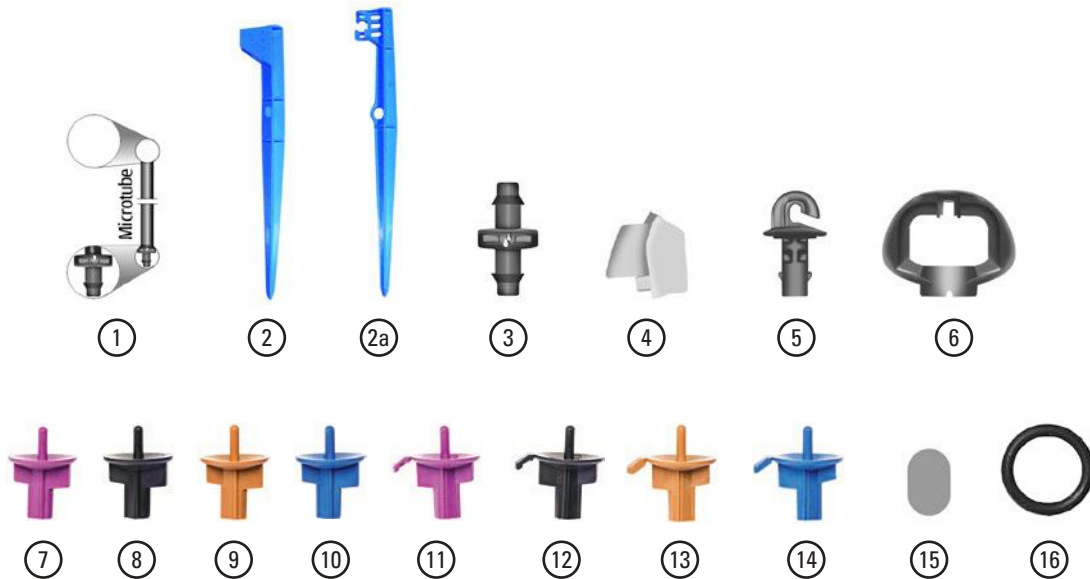
| NetJet Options             |
|----------------------------|
| Butterfly Stream           |
| 8 Stream 210° Circle       |
| 22 Stream 360° Full Circle |
| 12 Stream 360° Full Circle |
| 10 Stream 300° Tree Notch  |
| Rectangular Stream         |
| No Tubing                  |
| 36" Tubing Lead            |
| No Stake                   |
| Gray Nozzle                |
| Green Nozzle               |
| Olive Nozzle               |
| Red Nozzle                 |

## NETJET MODELS

| Model Color | Color Code |
|-------------|------------|
| Black       | 08         |
| Orange      | 78         |
| Brown       | 28         |
| Blue        | 18         |
| Purple      | 68         |
| Gray        | 48         |
| Green       | 38         |
| Olive       | 88         |
| Red         | 58         |



# SPRINKLERS



## SUPERNET AND SUPERNET JR. COMPONENTS

(E)

| Key | Item Number  | Model Number | Description   | Price Each |
|-----|--------------|--------------|---|------------|
| 1   | 63000-006500 | 03134800758  | 30" Micro-Tubing with Barbed Connector                    | 0.86       |
|     | 63000-007200 | 03134800908  | 36" Micro-Tubing with Barbed Connector                    | 0.92       |
|     | 63000-008400 | 03134801208  | 48" Micro-Tubing with Barbed Connector                    | 1.40       |
| 2   | 63520-005900 | 031736       | Blue Stake 13" for SuperNet                               | 1.10       |
| 2a  | 63000-009800 | 03600        | Blue Stake 12" for SuperNet Jr.                           | 0.96       |
| 3   | 63520-006020 | 031748-B     | Barb x Barb Connector (Bag of 100)                        | 0.37       |
| 4   | 63520-005800 | 031735       | Stream Splitter   | 0.42       |
| 5   | 63520-011400 | 031739       | Everspin Bearing (orange color)                           | 0.69       |
| -   | 63520-005400 | 031731       | Upper Bearing - Square                                    | 0.34       |
| 6   | 63520-005500 | 031732       | Bridge  | 0.52       |
| 7   | 63520-005100 | 031722       | LR - Long Range Swivel Purple*                            | 0.34       |
| 8   | 63520-005000 | 031721       | LR - Long Range Swivel Black*                             | 0.34       |
| 9   | 63520-013500 | 031717       | MR - Medium Range Swivel Brown*                           | 0.34       |
| 10  | 63520-005200 | 031725       | SR - Short Range Swivel Blue*                             | 0.34       |
| 11  | 63520-005160 | 031724       | LRD - Long Range Swivel Purple* with Breakaway Deflector  | 0.34       |
| 12  | 63520-005150 | 031723       | LRD - Long Range Swivel Black* with Breakaway Deflector   | 0.34       |
| 13  | 63520-013550 | 031718       | MRD - Medium Range Swivel Brown* with Breakaway Deflector | 0.34       |
| 14  | 63520-005300 | 031726       | SRD - Short Range Swivel Blue* with Breakaway Deflector   | 0.34       |
| -   | 63520-005380 | 031730       | Swivel Plate - 180° Half Circle, 6 Jets                   | 0.34       |
| -   | 63520-005360 | 031727       | Swivel Plate - 300°, 10 Jets                              | 0.34       |
| -   | 63520-005350 | 031729       | Swivel Plate - 360° Circle, 12 Jets                       | 0.34       |
| -   | 63520-005370 | 031728       | Swivel Plate - Butterfly, 8 Jets                          | 0.34       |
| 15  | 63520-005630 | 031733       | Diaphragm (not available with SuperNet Jr.)               | 0.82       |
| 16  | 63520-005700 | 031734       | O-Ring (not available with SuperNet Jr.)                  | 0.28       |
| -   | 40000-004900 | 031933940705 | PE Flex Micro-Tubing (1640' coil)                         | 181.10     |
| -   | 63520-005990 | 031749       | SuperNet U Shaped Adapter for Hanging Upright System      | 0.76       |

\* Swivel colors may vary by model. See Technical sheets for correct specifications.

# SPRINKLERS



## MEGANET COMPONENTS AND ACCESSORIES

| Key | Item Number  | Model Number       | Description  | Price Each |
|-----|--------------|--------------------|--|------------|
| 1   | 64520-002305 | 03N20STAND0948-B   | Sprinkler Stand with Connector, 9 mm I.D. tubing, 48", PE barb, 1/2" FIPT, stake adapter (stake not included) (Bag 25) | 164.50     |
| -   | 64520-002280 | 03N20STAND0948NODP | Sprinkler Stand with Connector, 9 mm I.D. tubing, 48", PE barb, 1/2" FIPT (each)                                       | 6.40       |
| -   | 65080-002880 | SSP                | Sprinkler Stand Plug   | 0.59       |
| -   | 65080-002605 | 03N265080002610-B  | Female x Barb Connector for Sprinkler Stand (100)  | 56.00      |
| -   | 63620-004400 | MGNFIL             | MegaNet Filter   | 0.52       |
| 2   | 63620-007000 | MGNRG              | MegaNet Road Guard   | 1.10       |
| 3   | 45000-001450 | PPUNCH8            | 8 mm Plastic Punch   | 57.00      |
| -   | 65080-001220 | 03175648           | 6 mm Steel Stake, 48" length   | 14.00      |
| 4   | 64520-002480 | MGNBASE            | MegaStand Base for Riser   | 6.60       |
| 5   | 64520-002485 | MGNSUPPORTARM      | MegaStand Supporting Arm for Riser   | 4.60       |
| 6   | 64520-002490 | MGNRISER-16        | MegaStand Riser 1/2" MPT x 16"   | 5.30       |

# SPRINKLERS



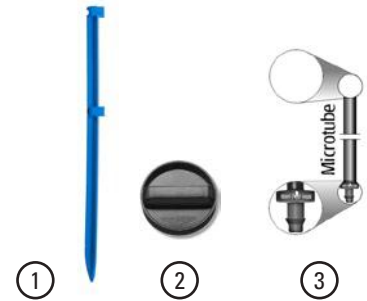
## SUPERNET AND SUPERNET JR. ACCESSORIES

| Key | Item Number  | Model Number | Description                          | Price Each |
|-----|--------------|--------------|--------------------------------------|------------|
| 1   | 45000-001200 | 682901033    | 3 mm Plastic Punch                   | 32.00      |
| 2   | 63520-005950 | 03173600     | SuperNet Stand Poly Adapter 6 mm     | 1.10       |
|     | 64020-002000 | 03173700     | SuperNet Jr. Stand Poly Adapter 6 mm | 0.54       |
| 3   | 65080-001000 | 03175624     | 24" (6 mm) Steel Stake*              | 7.00       |
|     | 65080-001220 | 03175648     | 48" (6 mm) Steel Stake*              | 14.00      |
| -   | 63520-011000 | 03740        | Cleaning Tool                        | 14.00      |

\* Custom product, non-stock. Please call Netafim USA Customer Service for delivery timelines.

## NETJET COMPONENTS

| Key | Item Number  | Model Number | Description                            | Price Each |
|-----|--------------|--------------|--|------------|
| 1   | 63000-009870 | 037BLUESTK   | Blue Stake 11" for NetJet              | 0.83       |
| 2   | 00015-011250 | 037129980000 | NetJet Stream Deflector                | 0.66       |
| 3   | 63000-006500 | 03134800758  | 30" Micro-Tubing with Barbed Connector | 0.86       |
|     | 63000-007200 | 03134800908  | 36" Micro-Tubing with Barbed Connector | 0.92       |







# FILTERS

|   |     |
|---|-----|
| Manual Disc Filters .....                                       | 82  |
| Scan-Kleen Screen Filters .....                                 | 83  |
| 2" Compact LP Disc-Kleen Filters .....                          | 83  |
| 2" LP Disc-Kleen Filter Batteries .....                         | 84  |
| 3" LP Disc-Kleen Filter Batteries .....                         | 84  |
| <b>NEW</b> AlphaDisc Disc Filter .....                          | 85  |
| Apollo Disc-Kleen Filter Batteries .....                        | 85  |
| Backflush Controllers .....                                     | 86  |
| Sandstorm™ Single Chamber Metal Media .....                     | 87  |
| Sandstorm™ Double Chamber Media Filter .....                    | 88  |
| Sandstorm™ Single Chamber Non-Corrosive Media Filter .....      | 89  |
| <b>NEW</b> ScreenGuard™ Vertical Automatic Screen Filters ..... | 90  |
| ScreenGuard™ Horizontal Automatic Screen Filters .....          | 90  |
| ScreenGuard™ Twin Automatic Screen Filters .....                | 90  |
| <b>NEW</b> Hydrocyclone Sand Separator .....                    | 91  |
| Manual Disc Filter Parts  |     |
| 3/4" .....  | 92  |
| 1" and 1 1/2" .....   | 92  |
| 2" Dual HP .....  | 93  |
| 3" Angle .....  | 93  |
| 3" Twin Lite and 3" Twin .....                                  | 94  |
| 4" and 6" Twin .....  | 95  |
| Automatic Disc-Kleen Filter Part                                |     |
| 2" Compact LP Disc-Kleen .....                                  | 96  |
| 2" Compact Disc-Kleen .....                                     | 97  |
| 2" LP Disc-Kleen .....  | 98  |
| 2" Disc-Kleen .....   | 99  |
| 3" LP Disc-Kleen .....  | 100 |
| 3" Disc-Kleen .....   | 101 |
| Apollo Disc-Kleen .....   | 103 |
| Sandstorm Single Chamber Metal Media Parts .....                | 105 |
| Sandstorm NCMetal Media Spare Parts .....                       | 106 |
| Sandstorm Metal Media Parts .....                               | 107 |
| Screen Filter Parts   |     |
| Scan-Kleen Screen .....   | 110 |
| ScreenGuard™ Automatic Screen .....                             | 112 |
| Backflush Valves .....  | 113 |
| Fittings and Accessories .....                                  | 114 |

# FILTERS



## MESH MICRON EQUIVALENT

| Mesh | Micron | Color  |
|------|--------|--------|
| 040  | 400    | Blue   |
| 080  | 200    | Yellow |
| 120  | 130    | Red    |
| 140  | 115    | Black  |
| 200  | 70     | Brown  |



## MANUAL DISC FILTERS

| Key | Model Number  | Filter Size  | Flow Range (GPM) | Maximum Pressure (psi) | Price Each |
|-----|---------------|--------------|------------------|------------------------|------------|
| 1   | 25A45-***     | 3/4"         | 1-12             | 140                    | 43.00      |
| 2   | 25A47V-***    | 1"           | 5-26             | 140                    | 123.00     |
| 3   | 25A48V-***    | 1" Super     | 10-35            | 140                    | 179.00     |
| 4   | 25A15V-***    | 1 1/2"       | 10-52            | 140                    | 190.00     |
| 5   | 25A17V-***    | 1 1/2" Super | 40-110           | 140                    | 251.00     |
| 6   | 25A2DL-***    | 2" Dual Lite | 40-120           | 115                    | 380.00     |
| 7   | 25A30-***     | 2" Dual HP   | 80-220           | 174                    | 621.00     |
| 8   | 25A3TL-***F   | 3" Twin Lite |                  |                        | 725.00     |
| 9   | 25A53-***GNEW | 3" Angle GR  | 80-220           | 140                    | 1,283.00   |
| 9a  | 25A53-***FNEW | 3" Angle FL  |                  |                        | 1,313.00   |
| 10  | 25A78-***F    | 4" Twin FL   | 160-450          | 140                    | 2,685.00   |
|     | 25A80-***F    | 6" Twin FL   | 200-600          |                        | 3,233.00   |

Substitute \*\*\* for proper mesh size. Refer to Mesh Micron Equivalent Chart for mesh options.

# FILTERS



## SCAN-KLEEN SCREEN FILTERS

(N)

| Item Number  | Model Number  | Size     | Max Flow (GPM) | Mesh | Price Each |
|--------------|---------------|----------|----------------|------|------------|
| 70640-013200 | 27ASCAN3-120  | 3" Angle | 250            | 120  | 2,378.00   |
| 70640-013180 | 27ASCAN3-150  |          |                | 150  | 2,378.00   |
| 70640-013250 | 27ASCAN4-120  | 4" Angle | 300            | 120  | 2,808.00   |
| 70640-013260 | 27ASCAN4-150  |          |                | 150  | 2,808.00   |
| 70640-013300 | 27ASCAN4T-120 | 4" Twin  | 500            | 120  | 5,254.00   |
| 70640-013321 | 27ASCAN4T-150 |          |                | 150  | 5,254.00   |
| 70640-013350 | 27ASCAN6T-120 | 6" Twin  | 600            | 120  | 5,529.00   |
| 70640-013370 | 27ASCAN6T-150 |          |                | 150  | 5,529.00   |



## 2" COMPACT LP DISC-KLEEN FILTER

Includes Built-in Battery Operated Backflush Controller. Maximum Operating Pressure 90 psi  
Standard with Plastic Backflush Valves.

(N)

| Item Number  | Model Number      | Input Power | Flow Range (GPM) | Manifold In/Out | Maximum Pressure | Price Each |
|--------------|-------------------|-------------|------------------|-----------------|------------------|------------|
| 70641-007225 | 26LP2A1-120AACN   | 110 VAC     | 1-80             | 2" TH           | 90 psi           | 7,529.00   |
| 70641-007240 | 26LP2A1-140AACN   |             |                  |                 |                  | 7,529.00   |
| 70641-007228 | 26LP2A1-120AQDCN  | D Batteries | 1-80             | 2" TH           | 90 psi           | 7,273.00   |
| 70641-007230 | 26LP2A1-140AQDCN  |             |                  |                 |                  | 7,273.00   |
| 70641-007222 | 26LP2A1LF-120AACN | 110 VAC     | 1-40             | 2" TH           | 90 psi           | 7,529.00   |
| 70641-007237 | 26LP2A1LF-140AACN |             |                  |                 |                  | 7,529.00   |
| 70641-007234 | 26LP2A1LF120AQDCN | D Batteries | 1-40             | 2" TH           | 90 psi           | 7,273.00   |
| -            | 26LP2A1LF140AQDCN |             |                  |                 |                  | 7,273.00   |

Minimum pressure for backflush is 30 psi upstream.  
DC requires (4) D batteries.

# FILTERS

## 2" LP DISC-KLEEN FILTER BATTERIES

Standard with Polypropylene Manifolds, Plastic Backflush Valves and Installed Drain Manifold  
Maximum Operating Pressure 90 psi

(N)

| Model Number   | No. of Filters | Flow Range (GPM) | Manifold In/Out | Solenoid Type | Price Each |
|----------------|----------------|------------------|-----------------|---------------|------------|
| 26LP2PP2***AC  | 2              | 50-160           | 4" GR           | 24VAC         | 9,090.00   |
| 26LP2PP2***DC  |                |                  |                 | 12VDC         | 9,090.00   |
| 26LP2PP2***DCL |                |                  |                 | 12VDCL        | 9,228.00   |
| 26LP2PP3***AC  | 3              | 100-240          | 4" GR           | 24VAC         | 12,357.00  |
| 26LP2PP3***DC  |                |                  |                 | 12VDC         | 12,357.00  |
| 26LP2PP3***DCL |                |                  |                 | 12VDCL        | 12,551.00  |
| 26LP2PP4***AC  | 4              | 150-320          | 4" GR           | 24VAC         | 16,013.00  |
| 26LP2PP4***DC  |                |                  |                 | 12VDC         | 16,013.00  |
| 26LP2PP4***DCL |                |                  |                 | 12VDCL        | 16,287.00  |



Substitute \*\*\* with proper mesh size. Refer to Mesh Micron Equivalent Chart for mesh options.  
Minimum pressure for backflush is 30 psi downstream. Backflush controller not included.  
Standard with 24VAC solenoids for up to 90 psi maximum.  
Drain manifold - 2" grooved

## 3" LP DISC-KLEEN FILTER BATTERIES

Standard with Polypropylene Manifolds, Plastic Backflush Valves and Installed Drain Manifold  
Maximum Operating Pressure 90 psi

(N)

| Model Number    | No. of Filters | Flow Range (GPM) | Manifold In/Out | Solenoid Type | Price Each |
|-----------------|----------------|------------------|-----------------|---------------|------------|
| 226LP3PPB3120AC | 3              | 150-450          | 6" GR           | 24VAC         | 18,466.00  |
| 26LP3PPB3140DC  |                |                  |                 | 12VDC         | 18,466.00  |
| 26LP3PPB3140DCL |                |                  |                 | 12VDCL        | 18,657.00  |
| 26LP3PPB4120AC  | 4              | 250-600          | 6" GR           | 24VAC         | 23,498.00  |
| 26LP3PPB4120DC  |                |                  |                 | 12VDC         | 23,498.00  |
| 26LP3PPB4120DCL |                |                  |                 | 12VDCL        | 24,072.00  |
| 26LP3PPB5120AC  | 5              | 350-750          | 6" GR           | 24VAC         | 28,920.00  |
| 26LP3PPB5***DC  |                |                  |                 | 12VDC         | 28,920.00  |
| 26LP3PPB5080DCL |                |                  |                 | 12VDCL        | 29,486.00  |



Substitute \*\*\* with proper mesh size. Refer to Mesh Micron Equivalent Chart for mesh options.  
Minimum pressure for backflush is 30 psi downstream. Backflush controller not included.  
Standard with 24VAC solenoids for up to 90 psi maximum.  
Drain manifold - 2" grooved

## 3" DISC-KLEEN FILTER BATTERIES - HIGH PRESSURE VERSION

Standard with High Pressure Solenoids and Abrasion Shields for operating pressures of 91 to 140 psi.  
Add "HP" to the end of the Model Number and contact Netafim USA Customer Service for pricing.

# FILTERS

**New**



## ALPHADISC DISC FILTER

| Model Number | No. of Filters | Flow Range (GPM) | Manifold In/Out | Drain Manifold | Solenoid Type | Pressure Rating (PSI) | Price Each |
|--------------|----------------|------------------|-----------------|----------------|---------------|-----------------------|------------|
| ADI3S-120    | 2              | 44 - 220         | 3" FL           | 3" GR          | DCL           | 145                   | 9,880.00   |
| ADI3SXL-120  | 2              | 57 - 352         | 3" FL           | 3" GR          | DCL           | 145                   | 15,340.00  |
| ADI4SXL-120  | 2              | 57 - 480         | 4" FL           | 3" GR          | DCL           | 145                   | 18,200.00  |
| ADI6DXL-120  | 4              | 57 - 960         | 6" FL           | 3" GR          | DCL           | 145                   | 28,600.00  |
| ADI8TXL-120  | 6              | 57 - 1440        | 8" FL           | 3" GR          | DCL           | 145                   | 39,260.00  |

\* Note: Maximum recommended flow rate will depend on water quality. Check technical brochure for specific flow rate maximums.

## APOLLO DISC-KLEEN FILTER BATTERIES - MODULAR VERSION

Includes Installed Drain Manifold. Discs Separate During Backflush  
Standard with Plastic Backflush Valves. Maximum Operating Pressure 90 psi

| Model Number       | Size, Filters and Configuration | Flow Range (GPM) | Manifold In/Out | Solenoid Type | Price Each |
|--------------------|---------------------------------|------------------|-----------------|---------------|------------|
| 26ASK3APP4120DC    | 3" - 4 Angle                    | 300-800          | 6" Flanged      | 24VAC         | 33,995.00  |
| 26ASK3APP4***AQDCL |                                 |                  |                 | 12VDC         | 33,995.00  |
| 26ASK4PB3120AC     |                                 |                  |                 | 12VDCL        | 34,258.00  |
| 26ASK4PB3120DC     | 4" - 3 Twin +                   | 500-1,200        | 10" Flanged     | 24VAC         | 33,090.00  |
| 26ASK4PB3120AC     |                                 |                  |                 | 12VDC         | 33,090.00  |
| 26ASK4PB3120AQDCL  |                                 |                  |                 | 12VDCL        | 33,300.00  |
| 26ASK4PB4120AQAC   | 4" - 4 Twin +                   | 700-1,600        | 10" Flanged     | 24VAC         | 49,618.00  |
| 26ASK4PB4120DC     |                                 |                  |                 | 12VDC         | 49,618.00  |
| 26ASK4PB4120AQDCL  |                                 |                  |                 | 12VDCL        | 49,882.00  |
| 26ASK4PB5120AC     | 4" - 5 Twin ++                  | 850-2,000        | 10" Flanged     | 24VAC         | 61,861.00  |
| 26ASK4PB5120DC     |                                 |                  |                 | 12VDC         | 61,861.00  |
| 26ASK4PB5120AQDCL  |                                 |                  |                 | 12VDCL        | 62,160.00  |
| 26ASK4PB6120AC     | 4" - 6 Twin ++                  | 1,000-2,400      | 10" Flanged     | 24VAC         | 70,307.00  |
| 26ASK4PB6140DC     |                                 |                  |                 | 12VDC         | 70,307.00  |
| 26ASK4PB6140AQDCL  |                                 |                  |                 | 12VDCL        | 70,733.00  |
| 26ASK4PB7120AC     | 4" - 7 Twin ++                  | 1,200-2,800      | 10" Flanged     | 24VAC         | 80,847.00  |
| 26ASK4PB7120DC     |                                 |                  |                 | 12VDC         | 80,847.00  |
| 26ASK4PB7***AQDCL  |                                 |                  |                 | 12VDCL        | 81,295.00  |
| 26ASK4PB8200AC     | 4" - 8 Twin ++                  | 1,300-3,200      | 10" Flanged     | 24VAC         | 97,382.00  |
| 26ASK4PB8***DC     |                                 |                  |                 | 12VDC         | 97,382.00  |
| 26ASK4PB8120AQDCL  |                                 |                  |                 | 12VDCL        | 97,942.00  |



Substitute \*\*\* with proper mesh size. Refer to Mesh Micron Equivalent Chart for mesh options.

\*\* 5, 6, 7 and 8 Twin Filters shipped with (1) Flange-Bolt Kit and (1) Adapter Kit.

Minimum pressure for backflush is 30 psi downstream. Backflush controller not included.

Standard with 24VAC solenoids for up to 90 psi maximum. Drain manifold - 4" grooved.

## APOLLO DISC-KLEEN FILTER BATTERIES - HIGH PRESSURE MODULAR VERSION

High Pressure Solenoids and Orifice Plate on Drain Manifold for Operating Pressures of 91 to 140 psi.

Add "HP" to the Model Number listed above, call pricing.

## APOLLO DISC-KLEEN FILTER (MODULAR) KITS

| Item Number  | Model Number   | Description  | Use When   | Price Each |
|--------------|----------------|--|--|------------|
| 00110-001540 | 25APMODKITFLNG | Flange-Bolt Kit: includes (24) bolts, (48) washers, (24) nuts, (2) blind flanges             | Sealing water inlet and outlet manifolds (included with all batteries, 3-8 Twin Units) | 2,568.00   |
| 00110-001550 | 25APMODKIT5-8  | Adapter Kit: includes (24) bolts, (48) washers, (24) nuts, (1) connector, (1) drain manifold | Connecting multiple filter units (included with 5, 6, 7 or 8 unit batteries)           | 1,469.00   |

# FILTERS

## NETAFIM BACKFLUSH CONTROLLERS

(N)

| Item Number  | Model Number  | Description  | Voltage | Price Each |
|--------------|---------------|--|---------|------------|
| 00105-006200 | 31NBCAC2      | 2 Outputs with DP Sensor with mounting bracket     | 24VAC   | 1,660.00   |
| 00105-006210 | 31NBCAC4      | 4 Outputs with DP Sensor with mounting bracket     |         | 1,790.00   |
| 00105-006220 | 31NBCAC6      | 6 Outputs with DP Sensor with mounting bracket     |         | 1,919.00   |
| 00105-006230 | 31NBCAC8      | 8 Outputs with DP Sensor with mounting bracket     |         | 2,053.00   |
| 00105-006240 | 31NBCAC10     | 10 Outputs with DP Sensor with mounting bracket    |         | 2,182.00   |
| 73240-003188 | 31NBCAC2-NB   | 2 Outputs with DP Sensor without mounting bracket  | 24VAC   | 1,518.00   |
| 73240-003184 | 31NBCAC4-NB   | 4 Outputs with DP Sensor without mounting bracket  |         | 1,647.00   |
| 73240-003186 | 31NBCAC6-NB   | 6 Outputs with DP Sensor without mounting bracket  |         | 1,777.00   |
| 73240-003187 | 31NBCAC8-NB   | 8 Outputs with DP Sensor without mounting bracket  |         | 1,908.00   |
| 73240-003189 | 31NBCAC10-NB  | 10 Outputs with DP Sensor without mounting bracket |         | 2,037.00   |
| 00105-006250 | 31NBCDCL2     | 2 Outputs with DP Sensor with mounting bracket     | 12VDCL  | 1,660.00   |
| 00105-006260 | 31NBCDCL4     | 4 Outputs with DP Sensor with mounting bracket     |         | 1,790.00   |
| 00105-006270 | 31NBCDCL6     | 6 Outputs with DP Sensor with mounting bracket     |         | 1,919.00   |
| 00105-006280 | 31NBCDCL8     | 8 Outputs with DP Sensor with mounting bracket     |         | 2,053.00   |
| 00105-006290 | 31NBCDCL10    | 10 Outputs with DP Sensor with mounting bracket    |         | 2,182.00   |
| 73240-003175 | 31NBCDCL2-NB  | 2 Outputs with DP Sensor without mounting bracket  | 12VDCL  | 1,518.00   |
| 73240-003178 | 31NBCDCL4-NB  | 4 Outputs with DP Sensor without mounting bracket  |         | 1,647.00   |
| 73240-003179 | 31NBCDCL6-NB  | 6 Outputs with DP Sensor without mounting bracket  |         | 1,777.00   |
| 73240-003181 | 31NBCDCL8-NB  | 8 Outputs with DP Sensor without mounting bracket  |         | 1,908.00   |
| 73240-003182 | 31NBCDCL10-NB | 10 Outputs with DP Sensor without mounting bracket |         | 2,037.00   |
| 73240-003195 | 31NBCACCARD   | 2 Output Expansion Card                            | 24VAC   | 143.00     |
| 73240-003177 | 31NBCDCCARD   | 2 Output Expansion Card                            | 12VDCL  | 143.00     |



**NOTE:** Controllers can be pre-installed on automatic disc filters for an additional fee. Call Netafim USA Customer Service for Pricing and Availability.

## NETAFIM BACKFLUSH CONTROLLER PARTS

(N)

| Item Number  | Model Number       | Description                 | Price Each |
|--------------|--------------------|-----------------------------|------------|
| 73240-007360 | 31NBCBATTHLDR      | Battery Holder              | 28.00      |
| 73240-007556 | 31NBCDCSCARD       | DC Latching Set-up Card     | 119.00     |
| 73240-007557 | 31NBCCPU           | AC/DC CPU Set-up Card       | 410.00     |
| 73240-007558 | 31NBCPWR110        | Power Supply 110VAC         | 243.00     |
| 73240-010205 | 31NBCPSENS         | DP Sensor                   | 281.00     |
| 70661-018000 | 25APCNTRLBACKPLATE | Controller Mounting Bracket | 174.00     |

## ALEX-TRONIX BACKFLUSH CONTROLLERS

(N)

| Item Number  | Model Number    | Outputs | Included                            | Voltage            | Price Each |
|--------------|-----------------|---------|-------------------------------------|--------------------|------------|
| 00105-001400 | 23AXF2ACDC-D    | 2       | PD Gauge, Transformer               | 24VAC/12VDC        | 1,916.00   |
| 00105-001700 | 23AXF3ACDC-D    | 3       | PD Gauge, Transformer               | 24VAC/12VDC/12VDCL | 2,266.00   |
| 00105-002300 | 23AXF4ACDC-D    | 4       | PD Gauge, Transformer               | 24VAC/12VDC/12VDCL | 2,612.00   |
| 00105-004950 | 23AXF8ACDC-D    | 8       | PD Gauge, Transformer               | 24VAC/12VDC/12VDCL | 2,953.00   |
| 00105-003750 | 23AXF12ACDCDCLD | 12      | PD Gauge, Transformer               | 24VAC/12VDC/12VDCL | 3,731.00   |
| 00105-004450 | 23AXF3DCLSP     | 3       | Controller, Solar Panel and Bracket | 12VDCL             | 3,591.00   |
| 00105-002600 | 23AXF4DCLSP     | 4       | Controller, Solar Panel and Bracket |                    | 3,933.00   |
| 00105-005220 | 23AXF8DCLSP     | 8       | Controller, Solar Panel and Bracket |                    | 4,291.00   |
| 00105-003760 | 23AXF12DCLSP    | 12      | Controller, Solar Panel and Bracket |                    | 4,964.00   |

**NOTE:** Controllers can be pre-installed on automatic disc filters for an additional fee. Call Netafim USA Customer Service for Pricing and Availability.

# FILTERS



## SANDSTORM™ BACKFLUSH FLOW (GPM)

| Tank           | Size | Flow |
|----------------|------|------|
| Double Chamber | 16"  | 26   |
|                | 20"  | 68   |
|                | 24"  | 95   |
| Single Chamber | 30"  | 130  |
|                | 36"  | 200  |
|                | 48"  | 350  |

## SANDSTORM™ SINGLE CHAMBER METAL MEDIA FILTER TANKS - Blue Color <sup>(N)</sup>

| Item Number  | Model Number | Tank Size | Sand Required | In/Out     | Price Each |
|--------------|--------------|-----------|---------------|------------|------------|
| 71910-001620 | 2SMFS30GR-V2 | 30"       | 683 lbs.      | 3" Grooved | 1,980.00   |
| 71910-001603 | 2SMFSB36GR   | 36"       | 1,047lbs.     | 3" Grooved | 2,595.00   |
| 71910-001626 | 2SMFSB48GR   | 48"       | 1,984 lbs.    | 4" Grooved | 3,979.00   |

## SANDSTORM™ SINGLE CHAMBER METAL MEDIA FILTER BATTERIES - Blue Color <sup>(N)</sup>

| Item Number  | Model Number   | No. of Filters-Size | *Flow Range (GPM) | Configuration | Price Each |
|--------------|----------------|---------------------|-------------------|---------------|------------|
| 71950-001620 | 2SMFSBS3002AAC | 2 - 30"             | 176 - 308         | Straight      | 11,061.00  |
| 71950-001820 | 2SMFSBS3602AAC | 2 - 36"             | 264 - 440         | Straight      | 12,319.00  |
| 71950-002001 | 2SMFSBS4802AAC | 2 - 48"             | 440 - 748         | Straight      | 19,654.00  |
| 71950-001630 | 2SMFSBS3003AAC | 3 - 30"             | 264 - 462         | Straight      | 15,892.00  |
| 71950-001830 | 2SMFSBS3603AAC | 3 - 36"             | 396 - 660         | Straight      | 17,204.00  |
| 71950-002100 | 2SMFSBS4803AAC | 3 - 48"             | 660 - 1122        | Straight      | 27,945.00  |
| 71950-001640 | 2SMFSBS3004AAC | 4 - 30"             | 352 - 616         | Straight      | 19,277.00  |
| 71950-001840 | 2SMFSBS3604AAC | 4 - 36"             | 528 - 880         | Straight      | 21,542.00  |
| 71950-002200 | 2SMFSBS4804AAC | 4 - 48"             | 880 - 1496        | Straight      | 34,287.00  |
| 71950-002210 | 2SMFSBT4804AAC | 4 - 48"             |                   | Tee           | 35,473.00  |
| 71950-002315 | 2SMFSBS4805AAC | 5 - 48"             | 1100 - 1870       | Straight      | 41,988.00  |
| 71950-002310 | 2SMFSBT4805AAC | 5 - 48"             |                   | Tee           | 43,177.00  |
| 71950-002400 | 2SMFSBT4806AAC | 6 - 48"             | 1230 - 2244       | Tee           | 51,450.00  |
| 71950-002410 | 2SMFSBH4806AAC | 6 - 48"             |                   | H             | 56,278.00  |
| 71950-002503 | 2SMFSBT4807AAC | 7 - 48"             | 1320 - 2244       | Tee           | 59,556.00  |
| 71950-002504 | 2SMFSBH4807AAC | 7 - 48"             |                   | H             | 64,383.00  |
| 71950-002601 | 2SMFSBT4808AAC | 8 - 48"             | 1540 - 2618       | Tee           | 65,614.00  |
| 71950-002611 | 2SMFSBH4808AAC | 8 - 48"             |                   | H             | 71,158.00  |
| 71950-002805 | 2SMFSBT4810AAC | 10 - 48"            | 1760 - 2992       | Tee           | 80,230.00  |
| 71950-002800 | 2SMFSBH4810AAC | 10 - 48"            |                   | H             | 85,777.00  |

\*Flow rates based on crushed basalt.



# FILTERS



## SANDSTORM™ BACKFLUSH FLOW (GPM)

| Tank           | Size | Flow |
|----------------|------|------|
| Double Chamber | 16"  | 26   |
|                | 20"  | 68   |
|                | 24"  | 95   |
| Single Chamber | 30"  | 130  |
|                | 36"  | 200  |
|                | 48"  | 350  |

## SANDSTORM DOUBLE CHAMBER STEEL MEDIA FILTER TANKS - Blue Color <sup>(N)</sup>

| Item Number  | Model Number | Tank Size | Sand Required | In/Out     | Price Each |
|--------------|--------------|-----------|---------------|------------|------------|
| 71910-001505 | 2SMFD16NPT   | 16"       | 200 lbs.      |            | 1,049.00   |
| 71910-001508 | 2SMFD20NPT   | 20"       | 260 lbs.      | 2" TH x GR | 1,147.00   |
| 71910-001514 | 2SMFD24NPT   | 24"       | 400 lbs.      |            | 1,541.00   |

## SANDSTORM DOUBLE CHAMBER STEEL MEDIA FILTER BATTERIES - Blue Color <sup>(N)</sup>

| Item Number  | Model Number   | No. of Filters-Size | Flow Range (GPM) | Price Each |
|--------------|----------------|---------------------|------------------|------------|
| 71950-001020 | 2SMFDBS1602AAC | 2 - 16"             | 22 - 52          | 7,827.00   |
| 71950-001030 | 2SMFDBS1603AAC | 3 - 16"             | 33 - 78          | 10,698.00  |
| 71950-001040 | 2SMFDBS1604AAC | 4 - 16"             | 44 - 104         | 13,392.00  |
| 71950-001220 | 2SMFDBS2002AAC | 2 - 20"             | 78 - 132         | 8,213.00   |
| 71950-001230 | 2SMFDBS2003AAC | 3 - 20"             | 117 - 198        | 11,023.00  |
| 71950-001240 | 2SMFDBS2004AAC | 4 - 20"             | 156 - 264        | 13,997.00  |
| 71950-001420 | 2SMFDBS2402AAC | 2 - 24"             | 114 - 192        | 8,988.00   |
| 71950-001430 | 2SMFDBS2403AAC | 3 - 24"             | 171 - 288        | 12,272.00  |
| 71950-001440 | 2SMFDBS2404AAC | 4 - 24"             | 228 - 384        | 13,392.00  |



# FILTERS



## SANDSTORM SINGLE CHAMBER NON CORROSIVE MEDIA FILTER TANKS- Blue Color

(N)

| Item Number | Model Number | No. of Filters-<br>Size | Flow Range<br>(GPM) | Configuration | Price Each     |
|-------------|--------------|-------------------------|---------------------|---------------|----------------|
| -           | 2NCFS3602AAC | 2 - 36"                 | 240 - 400           | Straight      | Call for Quote |
| -           | 2NCFS4802AAC | 2 - 48"                 | 420 - 700           | Straight      |                |
| -           | 2NCFS3603AAC | 3 - 36"                 | 360 - 600           | Straight      | Call for Quote |
| -           | 2NCFS4803AAC | 3 - 48"                 | 630 - 1050          | Straight      |                |
| -           | 2NCFS3604AAC | 4 - 36"                 | 480 - 800           | Straight      | Call for Quote |
| -           | 2NCFS4804AAC | 4 - 48"                 | 840 - 1400          | Straight      |                |
| -           | 2NCFS4805AAC | 5 - 48"                 | 1050 - 1750         | Straight      | Call for Quote |
| -           | 2NCFT4805AAC | 5 - 48"                 | 1050 - 1750         | Tee           |                |
| -           | 2NCFT4806AAC | 6 - 48"                 | 1260 - 2100         | Tee           | Call for Quote |
| -           | 2NCFH4806AAC | 6 - 48"                 | 1260 - 2100         | H             |                |
| -           | 2NCFT4807AAC | 7 - 48"                 | 1470 - 2450         | Tee           | Call for Quote |
| -           | 2NCFH4807AAC | 7 - 48"                 | 1470 - 2450         | H             |                |
| -           | 2NCFT4808AAC | 8 - 48"                 | 1680 - 2800         | Tee           | Call for Quote |
| -           | 2NCFH4808AAC | 8 - 48"                 | 1680 - 2800         | H             |                |
| -           | 2NCFT4810AAC | 10 - 48"                | 2100 - 3500         | Tee           | Call for Quote |
| -           | 2NCFH4810AAC | 10 - 48"                | 2100 - 3500         | H             |                |

# FILTERS

## SCRENGUARD™ VERTICAL AUTOMATIC SCREEN FILTERS <sup>(N)</sup>

| Item Number  | Model Number     | Size    | Max Flow (GPM) | Mesh | Price Each |
|--------------|------------------|---------|----------------|------|------------|
| 71960-000103 | 2SGAV2T-120ADCL  | 2" Thrd | 110            | 120  | 4,058.00   |
| 71960-000173 | 2SGAV3T-120ADCL  | 3" Thrd | 220            | 120  | 4,587.00   |
| 71960-000176 | 2SGAV3FL-120ADCL | 3" Flg  | 220            | 120  | 4,704.00   |
| 71960-000223 | 2SGAV4FL-120ADCL | 4" Flg  | 330            | 120  | 4,772.00   |

New



## SCRENGUARD™ HORIZONTAL AUTOMATIC SCREEN FILTERS <sup>(N)</sup>

| Item Number  | Model Number | Size     | Max Flow (GPM) | Mesh | Price Each |
|--------------|--------------|----------|----------------|------|------------|
| 71960-000254 | 2SGAH04-080  | 4"       | 352            | 80   | 8,694.00   |
| 71960-000253 | 2SGAH04-120  |          |                | 120  | 8,694.00   |
| 71960-000252 | 2SGAH04-150  |          |                | 150  | 8,694.00   |
| 71960-000277 | 2SGAHS04-080 | 4" Super | 440            | 80   | 10,466.00  |
| 71960-000276 | 2SGAHS04-120 |          |                | 120  | 10,466.00  |
| 71960-000275 | 2SGAHS04-150 |          |                | 150  | 10,466.00  |
| 71960-000307 | 2SGAH06-080  | 6"       | 528            | 80   | 8,928.00   |
| 71960-000306 | 2SGAH06-120  |          |                | 120  | 8,928.00   |
| 71960-000305 | 2SGAH06-150  |          |                | 150  | 8,928.00   |
| 71960-000327 | 2SGAHS06-080 | 6" Super | 660            | 80   | 10,679.00  |
| 71960-000326 | 2SGAHS06-120 |          |                | 120  | 10,679.00  |
| 71960-000325 | 2SGAHS06-150 |          |                | 150  | 10,679.00  |
| 71960-000381 | 2SGAHS08-080 | 8"       | 1101           | 80   | 10,987.00  |
| 71960-000380 | 2SGAHS08-120 |          |                | 120  | 10,987.00  |
| 71960-000379 | 2SGAHS08-150 |          |                | 150  | 10,987.00  |
| 71960-000452 | 2SGAHS10-080 | 10"      | 1321           | 80   | 11,874.00  |
| 71960-000451 | 2SGAHS10-120 |          |                | 120  | 11,874.00  |
| 71960-000450 | 2SGAHS10-150 |          |                | 150  | 11,874.00  |

## SCRENGUARD™ TWIN AUTOMATIC SCREEN FILTERS <sup>(N)</sup>

| Item Number  | Model Number     | Size | Max Flow (GPM) | Mesh | Price Each |
|--------------|------------------|------|----------------|------|------------|
| 71961-000150 | 2SGAHTWIN008-080 | 8"   | 2202           | 80   | 29,617.00  |
| 71961-000181 | 2SGAHTWIN008-120 |      |                | 120  | 29,617.00  |
| 71961-000160 | 2SGAHTWIN008-150 |      |                | 150  | 29,617.00  |
| 71961-000170 | 2SGAHTWIN010-080 | 10"  | 2642           | 80   | 30,003.00  |
| 71961-000100 | 2SGAHTWIN010-120 |      |                | 120  | 30,003.00  |
| 71961-000180 | 2SGAHTWIN010-150 |      |                | 150  | 30,003.00  |

# FILTERS

## HYDROCYCLONE™ SAND SEPARATOR

| Item Number  | Model Number   | Min Flow (GPM) | Max Flow (GPM) | Connection Type |             | Sedimentation Tank |             | Size (Gal) | Price Each |
|--------------|----------------|----------------|----------------|-----------------|-------------|--------------------|-------------|------------|------------|
|              |                |                |                | Inlet (In)      | Outlet (In) | Inlet (In)         | Outlet (In) |            |            |
| 71990-000300 | NHC8-2GR-WT3   | 55             | 88             | 2" GR           | 2" GR       | 3" GR              | 2"          | 3.2        | \$1,250.00 |
| 71990-000310 | NHC8-3GR-WT3   | 86             | 132            | 3" GR           | 3" GR       | 3" GR              | 2"          | 3.2        | \$1,325.00 |
| 71990-000424 | NHC8-3GR-WT8   | 86             | 132            | 3" GR           | 3" GR       | 3" GR              | 2"          | 7.9        | \$1,600.00 |
| 71990-000311 | NHC8S-3GR-WT3  | 119            | 185            | 3" GR           | 3" GR       | 3" GR              | 2"          | 3.2        | \$1,325.00 |
| 71990-000420 | NHC8S-3GR-WT8  | 119            | 185            | 3" GR           | 3" GR       | 3" GR              | 2"          | 7.9        | \$1,600.00 |
| 71990-000320 | NHC12-4GR-WT16 | 154            | 269            | 4" GR           | 4" GR       | 4" FL              | 2"          | 15.9       | \$2,825.00 |
| 71990-000321 | NHC16-4GR-WT16 | 260            | 418            | 4" GR           | 4" GR       | 4" FL              | 2"          | 15.9       | \$3,325.00 |
| 71990-000322 | NHC16-4GR-WT32 | 260            | 418            | 4" GR           | 4" GR       | 4" FL              | 2"          | 31.7       | \$3,975.00 |
| 71990-000201 | NHC20-6FL-WT32 | 387            | 647            | 6" FL           | 6" FL       | 8" FL              | 2"          | 31.7       | \$4,725.00 |
| 71990-000221 | NHC24-6FL-WT32 | 555            | 903            | 6" FL           | 6" FL       | 8" FL              | 2"          | 31.7       | \$5,125.00 |
| 71990-000291 | NHC24-6FL-WT63 | 555            | 903            | 6" FL           | 6" FL       | 8" FL              | 2"          | 63.4       | \$5,737.00 |
| 71990-000241 | NHC30-8FL-WT63 | 903            | 1761           | 8" FL           | 8" FL       | 8" FL              | 2"          | 63.4       | \$7,400.00 |

New



## HYDROCYCLONE™ SAND SEPARATOR (CONE UNITS ONLY)

| Item Number  | Model Number | Min Flow (GPM) | Max Flow (GPM) | Connection Type |             | Sedimentation Tank Options  | Price Each |
|--------------|--------------|----------------|----------------|-----------------|-------------|-----------------------------|------------|
|              |              |                |                | Inlet (In)      | Outlet (In) |                             |            |
| 71990-000108 | NHC8-2GR     | 55             | 88             | 2" GR           | 2" GR       | Use with 3gal tank          | \$750.00   |
| 71990-000128 | NHC8-3GR     | 86             | 132            | 3" GR           | 3" GR       | Use with 3gal / 8gal tank   | \$850.00   |
| 71990-000148 | NHC8S-3GR    | 119            | 185            | 3" GR           | 3" GR       | Use with 3gal / 8gal tank   | \$850.00   |
| 71990-000166 | NHC12-4GR    | 154            | 269            | 4" GR           | 4" GR       | Use with 16gal tank         | \$2,000.00 |
| 71990-000194 | NHC16-4GR    | 260            | 418            | 4" GR           | 4" GR       | Use with 16gal / 32gal tank | \$2,700.00 |
| 71990-000205 | NHC20-6FL    | 387            | 647            | 6" FL           | 6" FL       | Use with 32gal tank         | \$3,475.00 |
| 71990-000225 | NHC24-6FL    | 555            | 903            | 6" FL           | 6" FL       | Use with 32gal / 63gal tank | \$4,025.00 |
| 71990-000246 | NHC30-8FL    | 903            | 1761           | 8" FL           | 8" FL       | Use with 63gal tank         | \$5,900.00 |

## HYDROCYCLONE™ SAND SEPARATOR (SEDIMENTATION TANK ONLY ONLY)

| Item Number  | Model Number  | Cone Options                   | Sedimentation Tank |             | Size (Gal) | Price Each |
|--------------|---------------|--------------------------------|--------------------|-------------|------------|------------|
|              |               |                                | Inlet (In)         | Outlet (In) |            |            |
| 71990-000350 | NHC3TANK-3GR  | Use with NHC8 and NHC8S Cones  | 3" GR              | 2"          | 3.2        | \$550.00   |
| 71990-000351 | NHC8TANK-3GR  | Use with NHC8 and NHC8S Cones  | 3" GR              | 2"          | 7.9        | \$900.00   |
| 71990-000360 | NHC16TANK-4FL | Use with NHC12 and NHC16 Cones | 4" FL              | 2"          | 15.9       | \$1,100.00 |
| 71990-000361 | NHC32TANK-4FL | Use with NHC16 Cones           | 4" FL              | 2"          | 31.7       | \$1,600.00 |
| 71990-000370 | NHC32TANK-8FL | Use with NHC20 and NHC24 Cones | 8" FL              | 2"          | 31.7       | \$1,800.00 |
| 71990-000371 | NHC63TANK-8FL | Use with NHC30 Cones           | 8" FL              | 2"          | 63.4       | \$2,200.00 |

## HYDROCYCLONE™ SAND SEPARATOR SPARE PARTS

| Item Number  | Model Number        | Description   | Sedimentation Tank       | Price Each |
|--------------|---------------------|---|--------------------------|------------|
| 71915-000104 | 2SMTIGHTBRIDGEV2    | Tightening Bridge SMF 12-24" and Sediment Tank        | Used with all Tank Sizes | \$167.00   |
| 71915-000105 | 2SMTIGHTHANDLEV2    | Tightening Handle SMF 12-24" and Sediment Tank        | Used with all Tank Sizes | \$19.25    |
| 71915-000230 | 2SMTOPSERV GASKETV2 | Top Service Cover Gasket 8" SMF 36" and Sediment Tank | Used with all Tank Sizes | \$54.00    |
| 71915-000231 | 2SMTOPSERV COVERV2  | Top Service Cover 8" SMF 24" and Sediment Tank        | Used with all Tank Sizes | \$197.00   |
| 71990-000275 | NHCF3               | Sediment Tank 3" Funnel F/ 3 and 8 gal                | Use with 3GR Tanks       | \$27.00    |
| 71990-000276 | NHCF4               | Sediment Tank 4" Funnel F/ 16 and 32 gal              | Use with 4FL Tanks       | \$46.00    |
| 71990-000277 | NHCF8               | Sediment Tank 8" Funnel F/ 32 and 63 gal              | Use with 8FL Tanks       | \$183.00   |

## HYDROCYCLONE™ AUTOFLUSH KIT

| Item Number  | Model Number     | Description                                      | Hydrocyclone Options        | Price Each |
|--------------|------------------|--|-----------------------------|------------|
| 72002-003021 | NHCPGK           | 3-Way Pressure Gauge Kit for Hydrocyclones       | Used with all Hydrocyclones | \$400.00   |
| 72002-003019 | NHCAFKIT2-1BDCL  | AutoFlush Kit for 1 Tank 2" Drain Baccara 12VDCL | Used with all Hydrocyclones | \$1,588.00 |
| 72002-003150 | NHCAFKIT2-2NADCL | AutoFlush Kit for 2 Tank 2" Drain Netafim AQDCL  | Used with all Hydrocyclones | \$1,998.00 |
| 72002-003160 | NHCAFKIT2-3NADCL | AutoFlush Kit for 3 Tank 2" Drain Netafim AQDCL  | Used with all Hydrocyclones | \$2,412.00 |

# FILTERS

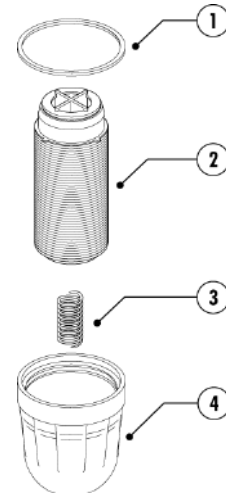
## EXPLODED PARTS VIEW

### 3/4" MANUAL DISC FILTER PARTS

Model Numbers 25A45

(N)

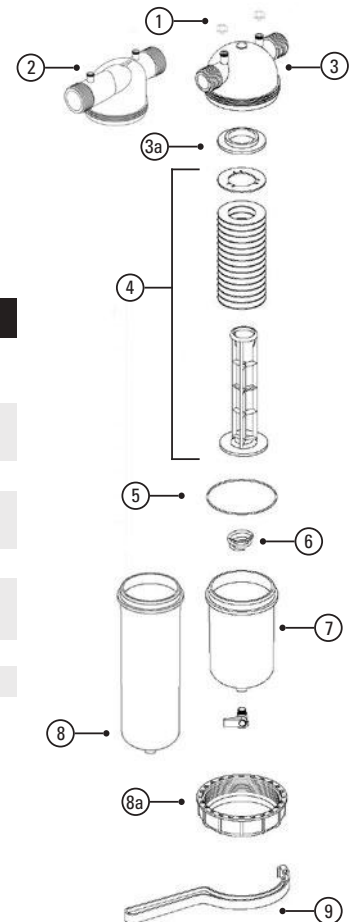
| Key | Item Number  | Model Number | Description         | Price Each |
|-----|--------------|--------------|---------------------|------------|
| 1   | 70620-003700 | 25AP530140   | Cover "O" Ring      | 6.10       |
| 2   | 70620-002380 | 25AP46-040   | Ring Set with Spine | 30.00      |
| 3   | 70620-004720 | 25AP530130   | Compression Spring  | 6.10       |
| 4   | 70620-001700 | 25AP23013    | Filter Cover        | 24.00      |
| -   | 70620-002700 | 25AP230112   | Filter Body         | 37.00      |



### 1" AND 1 1/2" MANUAL DISC FILTER PARTS

Model Numbers 25A47, 25A48, 25A15 and 25A17

| Key | Item Number  | Model Number     | Description                             | Price Each |
|-----|--------------|------------------|---|------------|
| 1   | 74480-015800 | 25AP700190001305 | Pressure Check Point Assembly Kit       | 5.80       |
| 2   | 70641-004000 | 25AP25000101     | 1" Regular & Super Filter Body          | 72.00      |
| 3   | 70641-004200 | 25AP231511       | 1 1/2" Regular & Super Filter Body      | 86.00      |
| 3a  | 70620-004120 | 25AP25070100     | Filter Adapter Ring                     | 6.10       |
| 4   | 70620-002500 | 25AP47-040       | 1" & 1 1/2" Regular Ring Set with Spine | 64.00      |
|     | 70620-002600 | 25AP21121-040    | 1" & 1 1/2" Super Ring Set with Spine   | 91.00      |
| 5   | 70620-003800 | 25AP531140       | Cover O-Ring                            | 8.40       |
| 6   | 70620-004320 | 25AP531130       | 1" & 1 1/2" Regular Compression Spring  | 23.00      |
|     | 70620-002350 | 25AP50440011     | 1" & 1 1/2" Super Compression Spring    | 26.00      |
| 7   | 70620-001850 | 25AP23113        | 1" & 1 1/2" Regular Filter Cover        | 70.00      |
| 8   | 70620-001900 | 25AP25010111     | 1" & 1 1/2" Super Filter Cover          | 78.00      |
| 8a  | 70620-004350 | 25AP231131       | Fixing Nut                              | 47.00      |
| 9   | 70620-005000 | 25AP131199       | Wrench for 1" & 1 1/2" Super Filters    | 18.00      |



NOTE: Substitute \*\*\* with desired mesh.

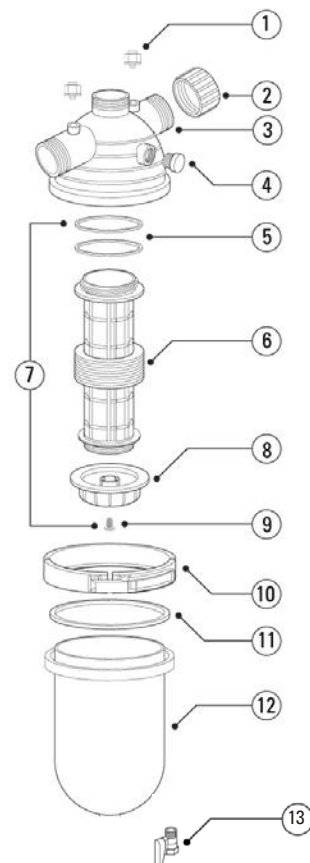
# FILTERS

## 2" DUAL HP MANUAL DISC FILTER PARTS

Model Numbers 25A30

(N)

| Key | Item Number  | Model Number     | Description                           | Price Each |
|-----|--------------|------------------|---------------------------------------|------------|
| 1   | 74480-015800 | 25AP700190001305 | Pressure Check Point Assembly Kit     | 5.80       |
| 2   | -            | -                | Cap                                   | -          |
| 3   | 70641-004500 | 25AP25000205     | Threaded Body                         | 252.00     |
| 4   | 76200-007650 | 25AP50190112     | 1/2" Plug                             | 5.20       |
| 5   | 70620-004050 | 25AP50032238     | Detachable Spine O-Ring 2-238         | 12.00      |
| 6   | 70620-001380 | 25AP49-005S      | Ring Set Only                         | 221.00     |
| 7   | 70620-002650 | 25AP49-040SDS    | Complete Spine Assembly with Rings    | 273.00     |
|     | 70620-002648 | 25AP21990020     | Complete Spine Assembly without Rings | 99.00      |
| 8   | 70620-004500 | 25AP25060211     | Fixing Nut                            | 14.00      |
| 9   | 70620-004520 | 25AP533124       | Fastening Screw                       | 7.20       |
| 10  | 70620-004700 | 25AP533131       | Clamp                                 | 113.00     |
| 11  | 70620-003900 | 25AP532140       | Cover Gasket                          | 35.00      |
| 12  | 70620-002100 | 25AP22020023     | Filter Cover with 1/2" port           | 171.00     |
| 13  | 70620-003865 | 25AP50540212     | Ball Valve 1/2"                       | 47.00      |

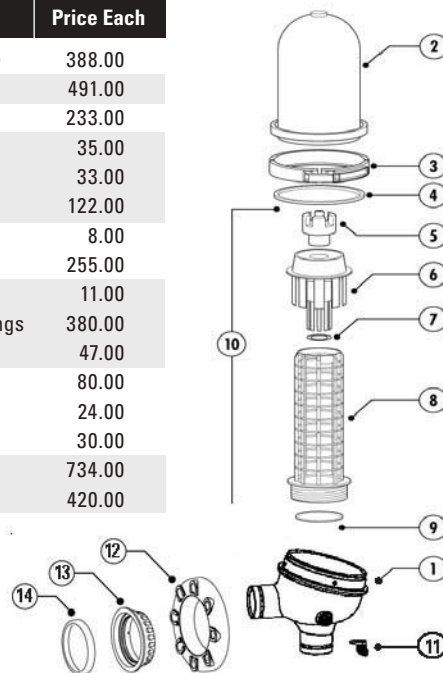


## 3" ANGLE DISC FILTER PARTS

Model Numbers 25A53

(N)

| Key | Item Number  | Model Number | Description                           | Price Each |
|-----|--------------|--------------|---------------------------------------|------------|
| 1   | 70620-003383 | 25AP22371001 | Body Grooved (new style, 120 degree)  | 388.00     |
| 2   | 70620-002160 | 25AP25010601 | Filter Cover (new style)              | 491.00     |
| 3   | 70620-004765 | 25AP50420060 | Clamp (new style)                     | 233.00     |
| 4   | 70620-004300 | 25AP534341   | Hydraulic Cover Seal                  | 35.00      |
| 5   | 70620-004600 | 25AP25060302 | Tightening Nut                        | 33.00      |
| 6   | 70620-004610 | 25AP25060304 | Spine Cap                             | 122.00     |
| 7   | 70620-004110 | 25AP50032220 | O-Ring                                | 8.00       |
| 8   | 70620-003570 | 25AP25020302 | Spine                                 | 255.00     |
| 9   | 70620-012860 | 25AP50032249 | Internal O-Ring                       | 11.00      |
| 10  | 70620-003640 | 25AP21990043 | Complete Spine Assembly without Rings | 380.00     |
| 11  | 70620-003865 | 25AP50540212 | Ball Valve 1/2"                       | 47.00      |
| 12  | 70620-004770 | 25AP25100325 | Loose Flange                          | 80.00      |
| 13  | 70620-004930 | 25AP25070308 | Cone Flange                           | 24.00      |
| 14  | 70620-004900 | 25AP50052013 | 3" Gasket                             | 30.00      |
| -   | 70620-003575 | 25AP1341-040 | Complete Spine Assembly with Rings    | 734.00     |
| -   | 70620-001448 | 25AP2341-018 | Ring Set Only                         | 420.00     |



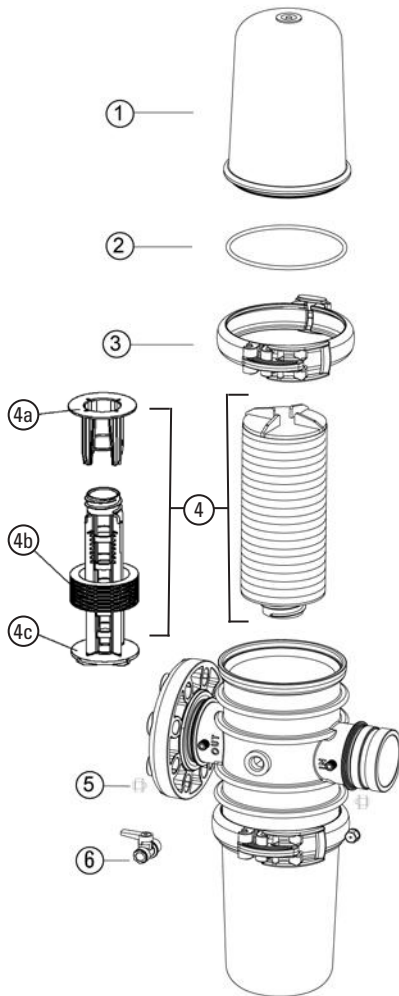
**NOTE:** Substitute \*\*\* with desired mesh.

# FILTERS

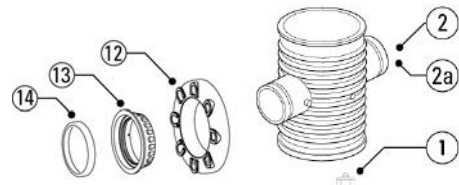
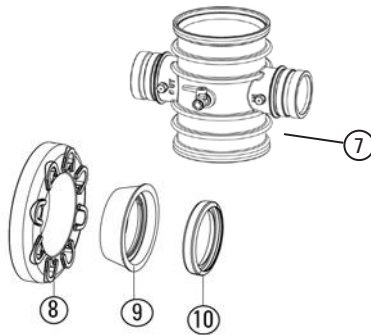
## 3" TWIN LITE MANUAL DISC FILTER PARTS

Model Numbers 25A3TL

(N)



| Key | Item Number  | Model Number     | Description                        | Price Each |
|-----|--------------|------------------|------------------------------------|------------|
| 1   | 70620-002040 | 25AP25010202     | Filter Cover                       | 77.00      |
| 2   | 70620-004195 | 25AP50032361     | O-Ring 2-361                       | 8.50       |
| 3   | 70620-004710 | 25AP22530235     | Plastic Orange Clamp               | 78.00      |
| 4   | 70620-014000 | 25AP21261-040    | Complete Spine Assembly with Rings | 234.00     |
| 4a  | 70620-004535 | 25AP25070203     | Spine Extension                    | 8.40       |
| 4b  | 70620-001380 | 25AP49-005S      | Ring Set Only                      | 221.00     |
| 4c  | 70620-001160 | 25AP25020202     | Spine Body                         | 23.00      |
| 5   | 74480-015800 | 25AP700190001305 | Pressure Check Point Assembly Kit  | 5.80       |
| 6   | 70620-003865 | 25AP50540212     | Ball Valve 1/2"                    | 47.00      |
| 7   | 70620-003335 | 25AP22321013     | Filter Body                        | 217.00     |
| 8   | 70620-004770 | 25AP25100325     | Loose Flange                       | 80.00      |
| 9   | 70620-004930 | 25AP25070308     | Cone Flange                        | 24.00      |
| 10  | 70620-004900 | 25AP50052013     | 3" Gasket                          | 30.00      |

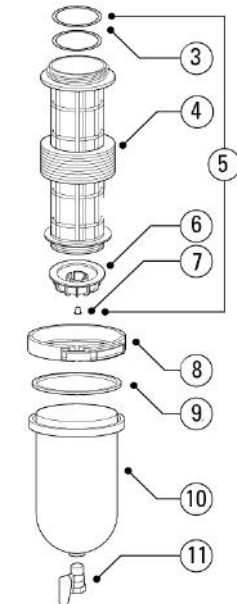


## 3" TWIN MANUAL DISC FILTER PARTS

Discontinued - Replaced by 3" Twin Lite Manual Disc Filter

(N)

| Key | Item Number  | Model Number     | Description                           | Price Each |
|-----|--------------|------------------|---------------------------------------|------------|
| 1   | 74480-015800 | 25AP700190001305 | Pressure Check Point Assembly Kit     | 5.80       |
| 2   | 70620-003330 | 25AP233114       | Body Grooved                          | 916.00     |
| 2a  | 70641-005600 | 25AP25000302     | Body Flanged                          | 970.00     |
| 3   | 70620-004050 | 25AP50032238     | Detachable Spine O-Ring               | 12.00      |
| 4   | 70620-001380 | 25AP49-005S      | Ring Set Only (requires 2 sets)       | 221.00     |
| 5   | 70620-002650 | 25AP49-040SDS    | Complete Spine Assembly with Rings    | 273.00     |
|     | 70620-002648 | 25AP21990020     | Complete Spine Assembly without Rings | 99.00      |
| 6   | 70620-004500 | 25AP25060211     | Fixing Nut                            | 14.00      |
| 7   | 70620-004520 | 25AP533124       | Fastening Screw                       | 7.20       |
| 8   | 70620-004700 | 25AP533131       | Clamp                                 | 113.00     |
| 9   | 70620-003900 | 25AP532140       | Cover Gasket                          | 35.00      |
| 10  | 70620-002100 | 25AP22020023     | Filter Cover with 1/2" port           | 171.00     |
| 11  | 70620-003865 | 25AP50540212     | Ball Valve 1/2"                       | 47.00      |
| 12  | 70620-004770 | 25AP25100325     | Loose Flange                          | 80.00      |
| 13  | 70620-004930 | 25AP25070308     | Cone Flange                           | 24.00      |
| 14  | 70620-004900 | 25AP50052013     | 3" Gasket                             | 30.00      |





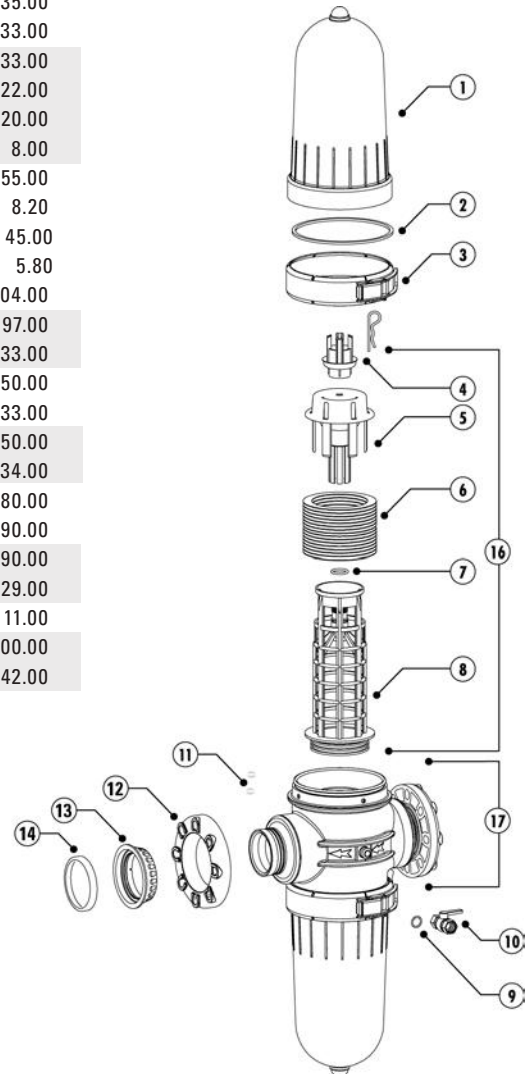
# FILTERS

## 4" AND 6" TWIN MANUAL DISC FILTER PARTS

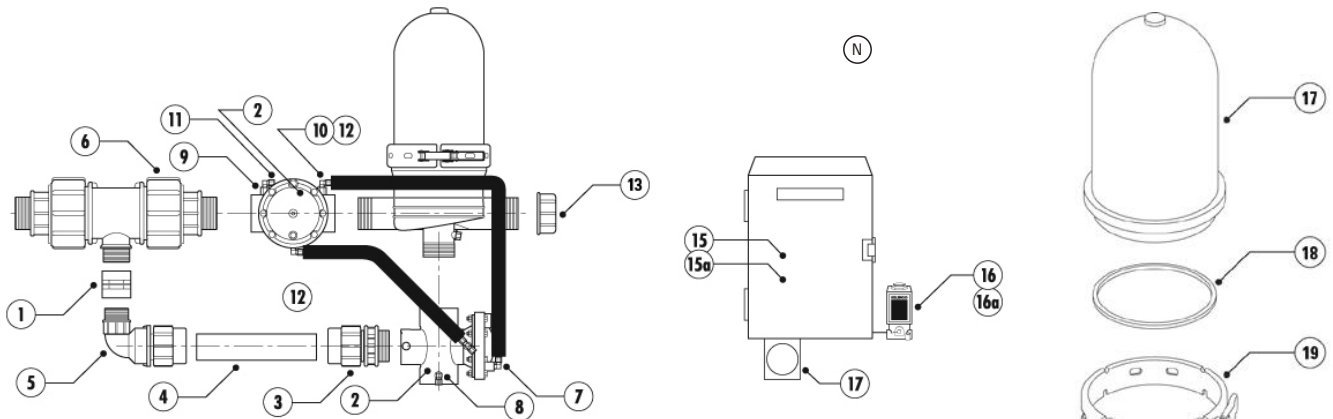
Model Numbers 25A78 and 25A80

(N)

| Key   | Item Number  | Model Number     | Description                        | Price Each |
|-------|--------------|------------------|------------------------------------|------------|
| 1     | 70620-002160 | 25AP25010601     | Filter Cover                       | 491.00     |
| 2     | 70620-004300 | 25AP534341       | Hydraulic Cover Seal               | 35.00      |
| 3     | 70620-004765 | 25AP50420060     | Clamp                              | 233.00     |
| 4     | 70620-004600 | 25AP25060302     | Tightening Nut                     | 33.00      |
| 5     | 70620-004610 | 25AP25060304     | Spine Cap                          | 122.00     |
| 6     | 70620-001448 | 25AP2341-018     | Ring Set Only (requires 2 sets)    | 420.00     |
| 7     | 70620-004110 | 25AP50032220     | O-Ring                             | 8.00       |
| 8     | 70620-003570 | 25AP25020302     | Spine                              | 255.00     |
| 9     | 70620-007065 | 25AP50032311     | O-Ring                             | 8.20       |
| 10    | 71610-035700 | 62SBV75          | Drain Tap Valve 3/4" M X F         | 45.00      |
| 11    | 74480-015800 | 25AP700190001305 | Pressure Check Point Assembly Kit  | 5.80       |
| 12    | 70620-004840 | 25AP25100425     | 4" Twin Flange                     | 104.00     |
|       | -            | 25AP25100625     | 6" Twin Flange                     | 197.00     |
| 13    | 70620-004935 | 25AP25070402     | 4" Twin Flange Clamp Ring          | 33.00      |
|       | -            | 25AP25070602     | 6" Twin Flange Clamp Ring          | 50.00      |
| 14    | 70620-004920 | 25AP50052014     | 4" Twin Gasket                     | 33.00      |
|       | 70620-004925 | 25AP50052016     | 6" Twin Gasket                     | 50.00      |
| 15    | 70620-003575 | 25AP1341-040     | Complete Spine Assembly with Rings | 734.00     |
|       | 70620-003640 | 25AP21990043     | Complete Spine Assembly w/o Rings  | 380.00     |
| 16    | 70620-003440 | 25AP22450001     | 4" Twin Body                       | 1,290.00   |
|       | 70620-003448 | 25AP22460001     | 6" Twin Body                       | 1,290.00   |
| -     | 70620-003443 | 25AP14411001     | 4" Twin Body w/Cover Clamp         | 2,529.00   |
| -     | 70620-012860 | 25AP50032249     | Internal O-Ring                    | 11.00      |
| 12-14 | 70620-004860 | 25AP22530425     | 4" Twin Flange Assembly            | 200.00     |
| 12-14 | 70620-004880 | 25AP22530625     | 6" Twin Flange Assembly            | 342.00     |



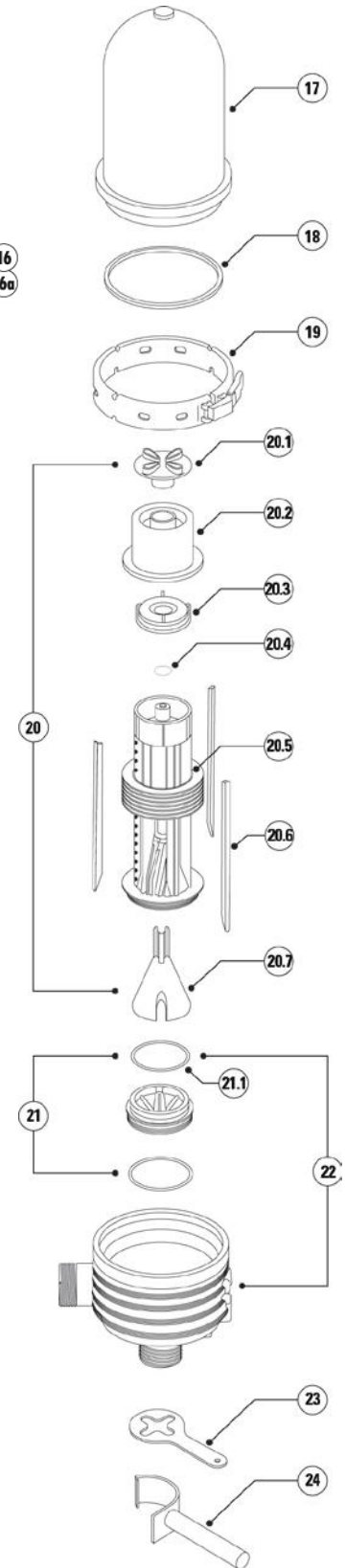
# FILTERS



## 2" COMPACT LP DISC-KLEEN FILTER PARTS

Model Numbers 26LP2A1

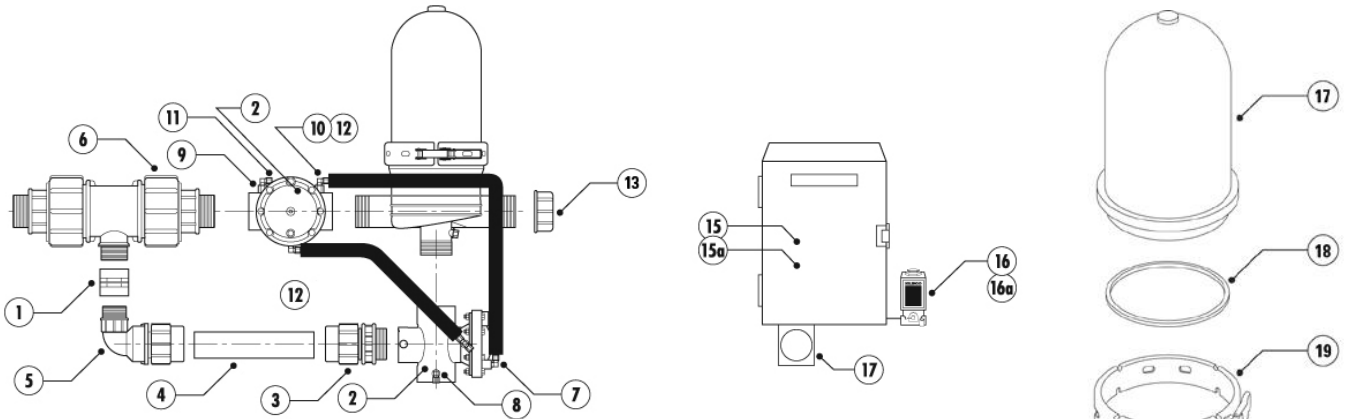
| Key  | Item Number  | Model Number     | Description                             | Price Each |
|------|--------------|------------------|---|------------|
| 1    | 75050-003500 | 25AP50225011     | 1 1/4" Coupling                         | 22.00      |
| 2    | 71000-012780 | 61BFG2TP         | 2" Series 350 Plastic Backflush Valve   | 964.00     |
| 3    | 75040-012100 | 25AP50225042     | 2" Male Adapter                         | 67.00      |
| 4    | 70620-008405 | 25AP22532265     | PE Pipe                                 | 62.00      |
| 5    | 75040-022550 | 25AP50223041     | 90° Elbow                               | 88.00      |
| 6    | 70620-007750 | 25AP18990051     | Diverter Screen Filter                  | 951.00     |
| 7    | 76400-004505 | 55P4714804-B     | 8 mm x 1/4" x 8 mm Tee (Bag 10)         | 75.30      |
| 8    | 76400-003503 | 55P4694804-B     | 1/4" x 8mm Angle Fitting (Bag 10)       | 59.40      |
| 9    | 71680-014170 | 61SF25P          | 1/4" Finger Filter                      | 25.00      |
| 10   | 76400-003410 | 55P4694802-B     | 1/8" x 8 mm Angle Fitting (Bag 10)      | 59.40      |
| 11   | 76400-006310 | 55P1220204-B     | 1/4" Double Nipple (Bag 10)             | 21.20      |
| 12   | 74480-015800 | 25AP700190001305 | Pressure Check Point Assembly Kit       | 5.80       |
| 13   | -            | -                | Cap                                     | -          |
| 14   | 00105-001400 | 23AXF2ACDC-D     | AC Backflush Controller                 | 1,916      |
| 14a  | -            | -                | DC Latching Backflush Controller        | -          |
| 15   | 71000-019400 | 61ARK12VDCL-MO   | 12VDC Latching Solenoid                 | 369.00     |
| 15a  | 70800-003260 | 61BBC-024        | 24VAC Solenoid                          | 262.00     |
| 16   | 00105-003200 | 23GALPD          | PD Gauge                                | 1,035.00   |
| 17   | 70620-002302 | 25AP25016220     | Filter Cover (Grey)                     | 171.00     |
| 18   | 70620-003900 | 25AP532140       | Hydraulic Seal                          | 35.00      |
| 19   | 70620-004700 | 25AP533131       | Clamp                                   | 113.00     |
| 20   | 70620-000910 | 25AP21991002LC   | Spine Complete without Rings            | 672.00     |
| 20   | 70620-007412 | 25AP21991008LC6  | Spine Complete without Rings - Low Flow | 672.00     |
| 20.1 | 70620-006010 | 25AP25066224G    | Green Butterfly Nut                     | 32.00      |
| 20.2 | 70620-007390 | 25AP25060226     | Tightening Cylinder                     | 63.00      |
| 20.3 | 70620-006452 | 25AP25300217N    | White Piston                            | 43.00      |
| 20.4 | 70620-004106 | 25AP50032115     | O-Ring                                  | 7.70       |
| 20.5 | -            | 25AP20221-***DK  | Ring Set Only                           | 221.00     |
| 20.6 | 70620-005850 | 25AP50760009     | Abrasion Shield (High Flow Model Only)  | 7.80       |
| 20.7 | 70620-007050 | 25AP50060008     | Cone Membrane                           | 135.00     |
| 21   | 70620-006050 | 25AP22340324     | Complex Adapter                         | 61.00      |
| 21.1 | 70620-004150 | 25AP532240       | O-Ring 2-234                            | 18.00      |
| 22   | 70620-003286 | 25AP22002206     | Body - Threaded Connection (Grey)       | 269.00     |
| 23   | 70620-007900 | 25AP50760028     | Butterfly Nut Wrench                    | 63.00      |
| 24   | 70620-008000 | 25AP133499       | Spine Wrench                            | 168.00     |



NOTE: Substitute \*\*\* with desired mesh.



# FILTERS



## 2" COMPACT DISC-KLEEN FILTER PARTS

Model Numbers 26ASK2A1

| Key  | Item Number  | Model Number     | Description                             | Price Each |
|------|--------------|------------------|---|------------|
| 1    | 75050-003500 | 25AP50225011     | 1 1/4" Coupling                         | 22.00      |
| 2    | 71000-012780 | 61BFG2TP         | 2" Series 350 Plastic Backflush Valve   | 964.00     |
| 3    | 75040-012100 | 25AP50225042     | 2" Male Adapter                         | 67.00      |
| 4    | 70620-008405 | 25AP22532265     | PE Pipe                                 | 62.00      |
| 5    | 75040-022550 | 25AP50223041     | 90° Elbow                               | 88.00      |
| 6    | 70620-007750 | 25AP18990051     | Diverter Screen Filter                  | 951.00     |
| 7    | 76400-004505 | 55P4714804-B     | 8 mm x 1/4" x 8 mm Tee (Bag 10)         | 75.30      |
| 8    | 76400-003503 | 55P4694804-B     | 1/4" x 8 mm Angle Fitting (Bag 10)      | 59.40      |
| 9    | 71680-014170 | 61SF25P          | 1/4" Finger Filter                      | 25.00      |
| 10   | 76400-003410 | 55P4694802-B     | 1/8" x 8 mm Angle Fitting (Bag 10)      | 59.40      |
| 11   | 76400-006310 | 55P1220204-B     | 1/4" Double Nipple (Bag 10)             | 21.20      |
| 12   | 74480-015800 | 25AP700190001305 | Pressure Check Point Assembly Kit       | 5.80       |
| 13   | -            | -                | Cap                                     | -          |
| 14   | 00105-001400 | 23AXF2ACDC-D     | AC Backflush Controller                 | 1,916.00   |
| 14a  | -            | -                | DC Latching Backflush Controller        | -          |
| 15   | 71000-019400 | 61ARK12VDCL-MO   | 12VDC Latching Solenoid                 | 348.00     |
| 15a  | 70800-003260 | 61BBC-024        | 24VAC Solenoid                          | 247.00     |
| 16   | 00105-003200 | 23GALPD          | PD Gauge                                | 1,035.00   |
| 17   | 70620-002070 | 25AP333132       | Filter Cover                            | 171.00     |
| 18   | 70620-003900 | 25AP532140       | Hydraulic Seal                          | 35.00      |
| 19   | 70620-004700 | 25AP533131       | Clamp                                   | 113.00     |
| 20   | 70620-003600 | 25AP21991002     | Spine Complete without Rings            | 672.00     |
| 20   | 70620-007410 | 25AP21991002LF5  | Spine Complete without Rings - Low Flow | 672.00     |
| 20.1 | 70620-006000 | 25AP25060224     | Butterfly Nut                           | 32.00      |
| 20.2 | 70620-007390 | 25AP25060226     | Tightening Cylinder                     | 63.00      |
| 20.3 | 70620-006452 | 25AP25300217N    | White Piston                            | 43.00      |
| 20.4 | 70620-066480 | 25AP22531225     | Sliding Washer                          | 7.70       |
| 20.5 | -            | 25AP20221-***DK  | Ring Set Only                           | 221.00     |
| 20.6 | 70620-005850 | 25AP50760009     | Abrasion Shield (High Flow Model Only)  | 7.80       |
| 20.7 | 70620-007050 | 25AP50060008     | Cone Membrane                           | 135.00     |
| 21   | 70620-006050 | 25AP22340324     | Complex Adapter                         | 61.00      |
| 21.1 | 70620-004150 | 25AP532240       | O-Ring 2-234                            | 18.00      |
| 22   | 70620-003285 | 25AP22240252     | Body - Threaded Connection              | 269.00     |
| 23   | 70620-007900 | 25AP50760028     | Butterfly Nut Wrench                    | 63.00      |
| 24   | 70620-008000 | 25AP133499       | Spine Wrench                            | 168.00     |

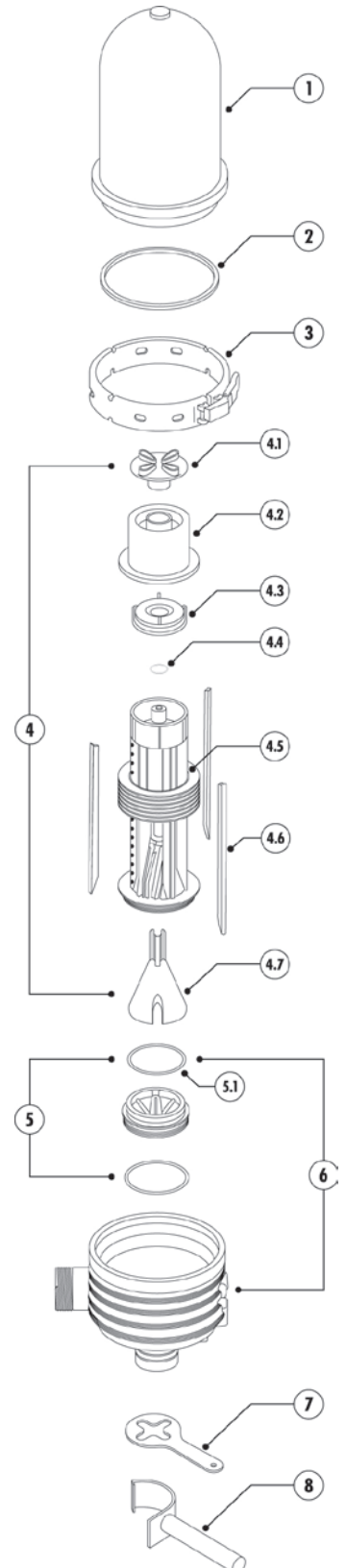
NOTE: Substitute \*\*\* with desired mesh.

# FILTERS

## 2" LP DISC-KLEEN FILTER BATTERY PARTS

Model Numbers 26LP2PP

| Key | Item Number  | Model Number    | Description                        | Price Each |
|-----|--------------|-----------------|------------------------------------|------------|
| 1   | 70620-002302 | 25AP25016220    | Filter Cover (Grey)                | 171.00     |
| 1a  | 70620-002320 | 25AP333132C     | Filter Cover Clear (for demo only) | 225.00     |
| 2   | 70620-003900 | 25AP532140      | Hydraulic Seal                     | 35.00      |
| 3   | 70620-004700 | 25AP533131      | Clamp                              | 113.00     |
| 4   | 70620-007403 | 25AP21991002LC  | Spine Complete without Rings       | 672.00     |
| 4.1 | 70620-006010 | 25AP25060224G   | Green Butterfly Nut                | 32.00      |
| 4.2 | 70620-007390 | 25AP25060226    | Tightening Cylinder                | 63.00      |
| 4.3 | 70620-006452 | 25AP25300217N   | White Piston                       | 43.00      |
| 4.4 | 70620-004106 | 25AP50032115    | O-Ring                             | 7.70       |
| 4.5 | 70620-001665 | 25AP20221-040DK | Ring Set Only                      | 221.00     |
| 4.6 | 70620-005850 | 25AP50760009    | Abrasion Shield (HP Applications)  | 7.80       |
| 4.7 | 70620-007050 | 25AP50060008    | Cone Membrane                      | 135.00     |
| 5   | 70620-006050 | 25AP22340324    | Complex Adapter                    | 61.00      |
| 5.1 | 70620-004150 | 25AP532240      | O-Ring 2-234                       | 18.00      |
| 6   | 70620-003282 | 25AP22246253    | Body - Victaulic Connection (Grey) | 254.00     |
| 7   | 70620-007900 | 25AP50760028    | Butterfly Nut Wrench               | 63.00      |
| 8   | 70620-008000 | 25AP133499      | Spine Wrench                       | 168.00     |
| -   | 70620-011500 | 27AP5B00000024  | Controller Mounting Bracket        | 127.00     |



## BACKFLUSH VALVE FOR 2" LP DISC-KLEEN FILTERS

| Item Number  | Model Number | Description                           | Price Each |
|--------------|--------------|---------------------------------------|------------|
| 71000-012780 | 61BFG2TP     | 2" Series 350 Plastic Backflush Valve | 964.00     |

Visit [www.netafimusa.com](http://www.netafimusa.com) for backflush valve replacement parts.

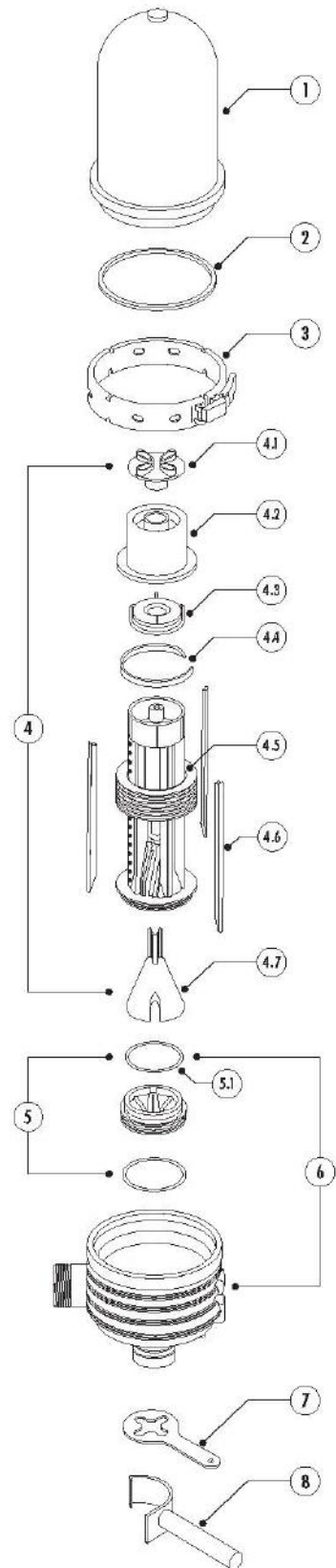
# FILTERS

## 2" DISC-KLEEN FILTER BATTERY PARTS

Model Numbers 26ASK2PP

(N)

| Key | Item Number  | Model Number    | Description                        | Price Each |
|-----|--------------|-----------------|------------------------------------|------------|
| 1   | 70620-002070 | 25AP333132      | Filter Cover                       | 216.00     |
| 1a  | 70620-002320 | 25AP333132C     | Filter Cover Clear (for demo only) | 225.00     |
| 2   | 70620-003900 | 25AP532140      | Hydraulic Seal                     | 35.00      |
| 3   | 70620-004700 | 25AP533131      | Clamp                              | 113.00     |
| 4   | 70620-003600 | 25AP21991002    | Spine Complete without Rings       | 672.00     |
| 4.1 | 70620-006000 | 25AP25060224    | Butterfly Nut                      | 35.00      |
| 4.2 | 70620-007390 | 25AP25060226    | Tightening Cylinder                | 63.00      |
| 4.3 | 70620-006452 | 25AP25300217N   | White Piston                       | 43.00      |
| 4.4 | 70620-006480 | 25AP22531225    | Sliding Washer                     | 11.00      |
| 4.5 | 70620-001665 | 25AP20221-040DK | Ring Set Only                      | 221.00     |
| 4.6 | 70620-005850 | 25AP50760009    | Abrasion Shield (HP Applications)  | 7.80       |
| 4.7 | 70620-007050 | 25AP50060008    | Cone Membrane                      | 135.00     |
| 5   | 70620-006050 | 25AP22340324    | Complex Adapter                    | 61.00      |
| 5.1 | 70620-004150 | 25AP532240      | O-Ring 2-234                       | 18.00      |
| 6   | 70620-003280 | 25AP22240253    | Body - Victaulic Connection        | 254.00     |
| 7   | 70620-007900 | 25AP50760028    | Butterfly Nut Wrench               | 63.00      |
| 8   | 70620-008000 | 25AP133499      | Spine Wrench                       | 168.00     |
| -   | 70620-011500 | 27AP5B00000024  | Controller Mounting Bracket        | 127.00     |



**NOTE:** Substitute \*\*\* with desired mesh.

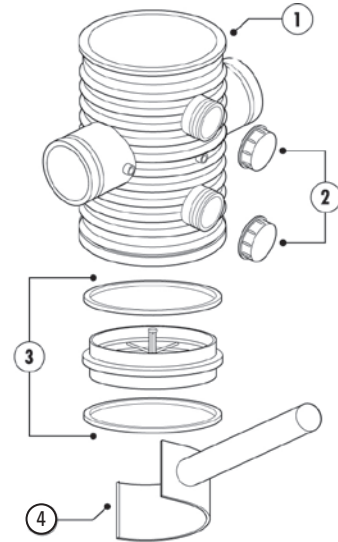
# FILTERS

## 3" LP DISC-KLEEN FILTER BATTERY PARTS

Model Numbers 26LP3PPB

(N)

| Key | Item Number  | Model Number    | Description                        | Price Each |
|-----|--------------|-----------------|------------------------------------|------------|
| 1   | 70620-003429 | 25AP25006303    | Body (Grey)                        | 914.00     |
| 2   | 70620-005900 | 25AP332115      | 2" cap                             | 32.00      |
| 3   | 70620-006050 | 25AP22340324    | Spine Adapter with O-Rings         | 61.00      |
| 4   | 70620-008000 | 25AP133499      | Spine Wrench                       | 168.00     |
| 5   | 70620-007403 | 25AP21991002LC  | Spine Complete without Rings       | 672.00     |
| 5a  | 70620-001665 | 25AP20221-040DK | Ring Set Only                      | 221.00     |
| 6   | 70620-007390 | 25AP25060226    | Tightening Cylinder                | 63.00      |
| 7   | 70620-006010 | 25AP25060224G   | Green Butterfly Nut                | 32.00      |
| 8   | 70620-007900 | 25AP50760028    | Butterfly Nut Wrench               | 63.00      |
| 9   | 70620-004700 | 25AP533131      | Clamp                              | 113.00     |
| 10  | 70620-003900 | 25AP532140      | Cover O-Ring                       | 35.00      |
| 11  | 70620-002302 | 25AP25016220    | Filter Cover (Grey)                | 171.00     |
| 11a | 70620-002320 | 25AP333132C     | Filter Cover Clear (for demo only) | 225.00     |
| 12  | 70620-006452 | 25AP25300217N   | White Piston                       | 43.00      |
| 13  | 70620-004106 | 25AP50032115    | O-Ring                             | 7.70       |
| -   | 70620-011500 | 27AP5B00000024  | Controller Mounting Bracket        | 127.00     |

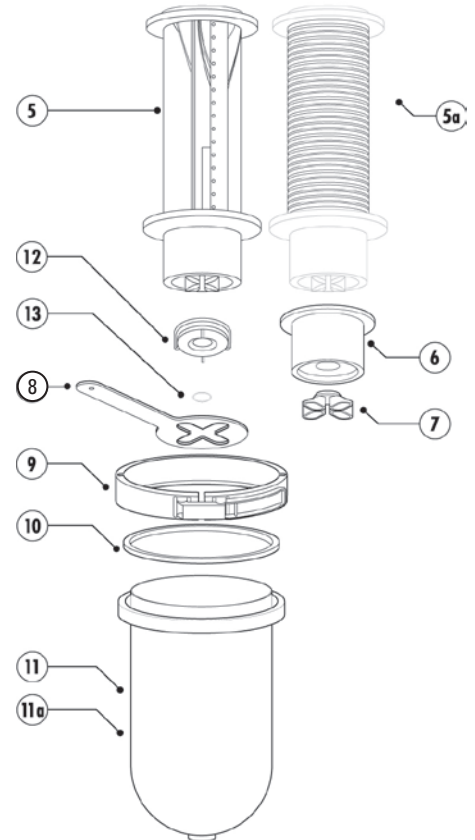


## BACKFLUSH VALVES FOR 3" LP DISC-KLEEN FILTERS

(N)

| Item Number  | Model Number | Description                           | Price Each |
|--------------|--------------|---------------------------------------|------------|
| 71000-013360 | 61BFG3PB     | 3" Series 350 Plastic Backflush Valve | 1,022.00   |
| 71600-006750 | 61BFG3PSK    | 3" Plaslite® Plastic Backflush Valve  | 1,106.00   |

Visit [www.netafimusa.com](http://www.netafimusa.com) for backflush valve replacement parts.



**NOTE:** Substitute \*\*\* with desired mesh.

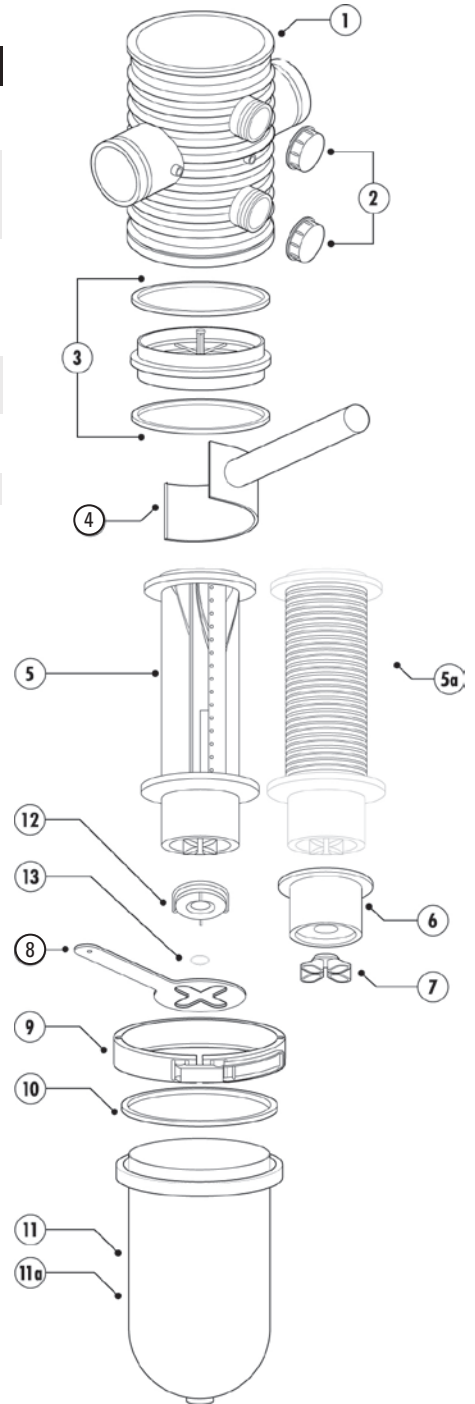
# FILTERS

## 3" DISC-KLEEN FILTER BATTERY PARTS

Model Number 26ASK3PP

(N)

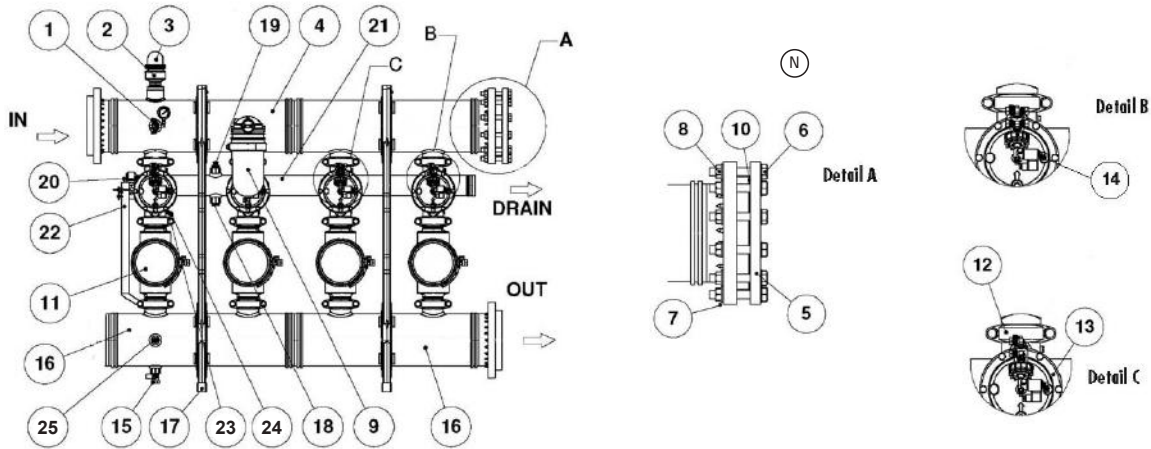
| Key | Item Number  | Model Number    | Description                        | Price Each |
|-----|--------------|-----------------|------------------------------------|------------|
| 1   | 70620-003430 | 25AP22341004    | Body                               | 914.00     |
| 2   | 70620-005900 | 25AP332115      | 2" cap                             | 32.00      |
| 3   | 70620-006050 | 25AP22340324    | Spine Adapter with O-Rings         | 61.00      |
| 4   | 70620-008000 | 25AP133499      | Spine Wrench                       | 168.00     |
| 5   | 70620-000910 | 25AP21991002    | Spine Complete without Rings       | 672.00     |
| 5a  | 70620-001665 | 25AP20221-040DK | Ring Set Only                      | 221.00     |
| 6   | 70620-007390 | 25AP25060226    | Tightening Cylinder                | 63.00      |
| 7   | 70620-006000 | 25AP25060224    | Butterfly Nut                      | 35.00      |
| 8   | 70620-007900 | 25AP50760028    | Butterfly Nut Wrench               | 63.00      |
| 9   | 70620-004700 | 25AP533131      | Clamp                              | 113.00     |
| 10  | 70620-003900 | 25AP532140      | Cover O-Ring                       | 35.00      |
| 11  | 70620-002070 | 25AP333132      | Filter Cover                       | 216.00     |
| 11a | 70620-002320 | 25AP333132C     | Filter Cover Clear (for demo only) | 225.00     |
| 12  | 70620-006452 | 25AP25300217N   | White Piston                       | 43.00      |
| 13  | 70620-004106 | 25AP50032115    | O-Ring                             | 7.70       |
| -   | 70620-011500 | 27AP5B00000024  | Controller Mounting Bracket        | 127.00     |



**NOTE:** Substitute \*\*\* with desired mesh.

# FILTERS

# FILTERS



## APOLLO DISC-KLEEN FILTER BATTERY PARTS

Model Numbers 26ASK\*PP or 26ASK\*PPB and the NEW Modular Apollo 26SK\*PB

| Key | Item Number  | Model Number      | Description  | Price Each     |
|-----|--------------|-------------------|--|----------------|
| 1   | -            | -                 | Pressure Gauge Assembly  | -              |
| 2   | 70561-001660 | 65ARIB2PP         | 2" Combination Air Vent  | 256.00         |
| 3   | -            | 25AP50480222      | Extension for Combination Air Vent   | 61.00          |
| 4   | -            | -                 | Inlet Manifold   | Call for Quote |
| 5   | 00110-001520 | 25APMODBLINDFLG-P | Blind Flange   | 1,053.00       |
| 6   | -            | 25AP50402139      | 7/8" Bolt for Blind Flange   | 32.00          |
| 7   | -            | 25AP50409017      | 7/8" Washer for Blind Flange   | 3.30           |
| 8   | -            | 25AP50408017      | 7/8" Nut for Blind Flang   | 14.00          |
| 9   | 70641-003640 | 25A30-120         | 2" Command Filter  | 621.00         |
| 10  | 00110-001521 | 25APMODGASKET     | Gasket for Blind Flange  | 55.00          |
| 11  | 70600-001177 | 25AP14461-120     | Apollo 4" Twin Filter  | 7,873.00       |
|     | 70600-001091 | 25AP13761LC120    | Apollo 3" Angle Filter   | 4,241.00       |
| 12  | 70040-003100 | 44VIC04           | 4" Victaulic Coupling  | 82.00          |
| 13  | 71000-013440 | 61BFG4GPGB-DM     | 4" Series 350 Plastic Backflush Valve  | 1,626.00       |
|     | 71000-013360 | 61BFG3PB          | 3" Series 350 Plastic Backflush Valve (Angle Filter only)                          | 1,022.00       |
| 14  | 70800-003260 | 61BBC-024         | 24VAC Normally Closed Solenoid   | 262.00         |
| 15  | 76601-001400 | 62SBV100F         | 1" Ball Valve  | 86.00          |
| 16  | -            | -                 | Outlet Manifold  | Call for Quote |
| 17  | -            | 25AP22531001      | Plastic Support Leg for 10" Inlet/Outlet Manifolds                                 | 1,014.00       |
|     | -            | 25AP22531210      | Plastic Support Leg for 12" Inlet/Outlet Manifolds                                 | 1,096.00       |
| 18  | 75050-008500 | 595177100         | 1" Plug  | 6.10           |
| 19  | 70620-008360 | 25AP22530512      | 1" Vacuum Breaker on Drain Manifold  | 29.00          |
| 20  | 78201-010100 | 44VICCP04         | 4" Victaulic Cap   | 33.00          |
| 21  | -            | -                 | Drain Manifold   | Call for Quote |
| 22  | 70041-004000 | 25AP22541230      | Mounting Bracket for Backflush Controller  | 619.00         |
| 23  | 71680-014170 | 61SF25P           | Plastic Finger Filter  | 23.00          |
| 24  | 76400-003410 | 55P4694802-B      | Plastic Elbow 8mm x 1/8" M for Solenoid & Relay (Bag 10)                           | 56.00          |
| 25  | 76400-004505 | 55P4714804-B      | Plastic Male Branch Tee 8mm x 1/4" x 8mm (Bag 10)                                  | 71.00          |
| -   | 00110-001540 | 25APMODKITFLNG    | Flange-Bolt Kit: includes 24 bolts, 48 washers, 24 nuts, 2 flanges                 | 2,568.00       |
| -   | 00110-001550 | 25APMODKIT5 - 8   | Adapter Kit: includes 24 bolts, 48 washers, 24 nuts, 1 drain manifold, 1 connector | 1,469.00       |
| -   | 76400-005410 | 55P1210400-B      | 1/4" Plug (Bag 10)   | 11.00          |
| -   | 40001-000382 | 15CONT8C50        | 8mm Control Tube (50' Roll)  | 18.50          |

Model Numbers will be different based on filter configurations.

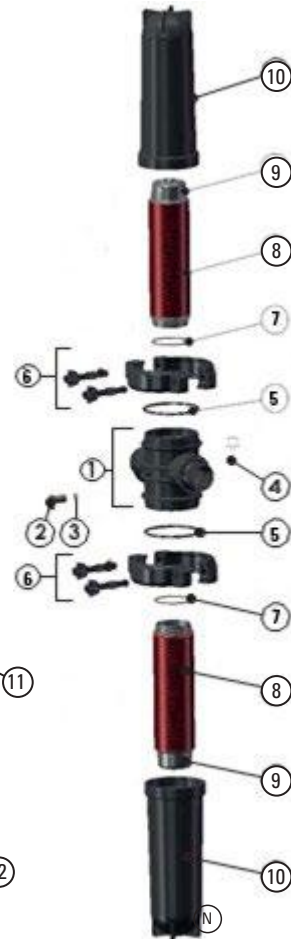


# FILTERS

## APOLLO DISC-KLEEN FILTER PARTS

Twin Filter

| Key | Item Number  | Model Number     | Description                       | Price Each |
|-----|--------------|------------------|-----------------------------------|------------|
| 1   | 70620-003432 | 25AP22000402     | 4" Twin Body                      | 900.00     |
|     | 71610-035700 | 62SBV75          | Drain Tap Valve 3/4" M x F        | 59.00      |
| 2   | 76000-002400 | 25AP50540112     | 3/4" Ball Valve                   | 45.00      |
| 3   | 70620-007065 | 25AP50032311     | O-Ring for 3/4" Ball Valve        | 8.20       |
| 4   | 74480-015800 | 25AP700190001305 | Pressure Check Point Assembly Kit | 5.80       |
| 5   | 70620-004300 | 25AP534341       | Cover Gasket                      | 35.00      |
| 6   | 70620-019450 | 25AP70019003658  | Clamp - Polymeric Complete        | 335.00     |
| 7   | 70620-004146 | 25AP50022355     | Spine Seat O-Ring                 | 9.50       |
| 8   | 70620-001606 | 25AP20334-080    | Ring Set Only                     | 455.00     |
| 9   | 70620-007414 | 25AP21991040LC   | Spine Assembly without Rings      | 1,944.00   |
| 10  | 70620-002162 | 25AP25010602     | Filter Cover                      | 536.00     |
| 11  | 70620-019460 | 25APLCLPWRENCH   | Wrench for Polymeric Clamp Bolts  | 22.00      |
| 12  | 70620-007900 | 25AP50760028     | Butterfly Nut Wrench              | 63.00      |



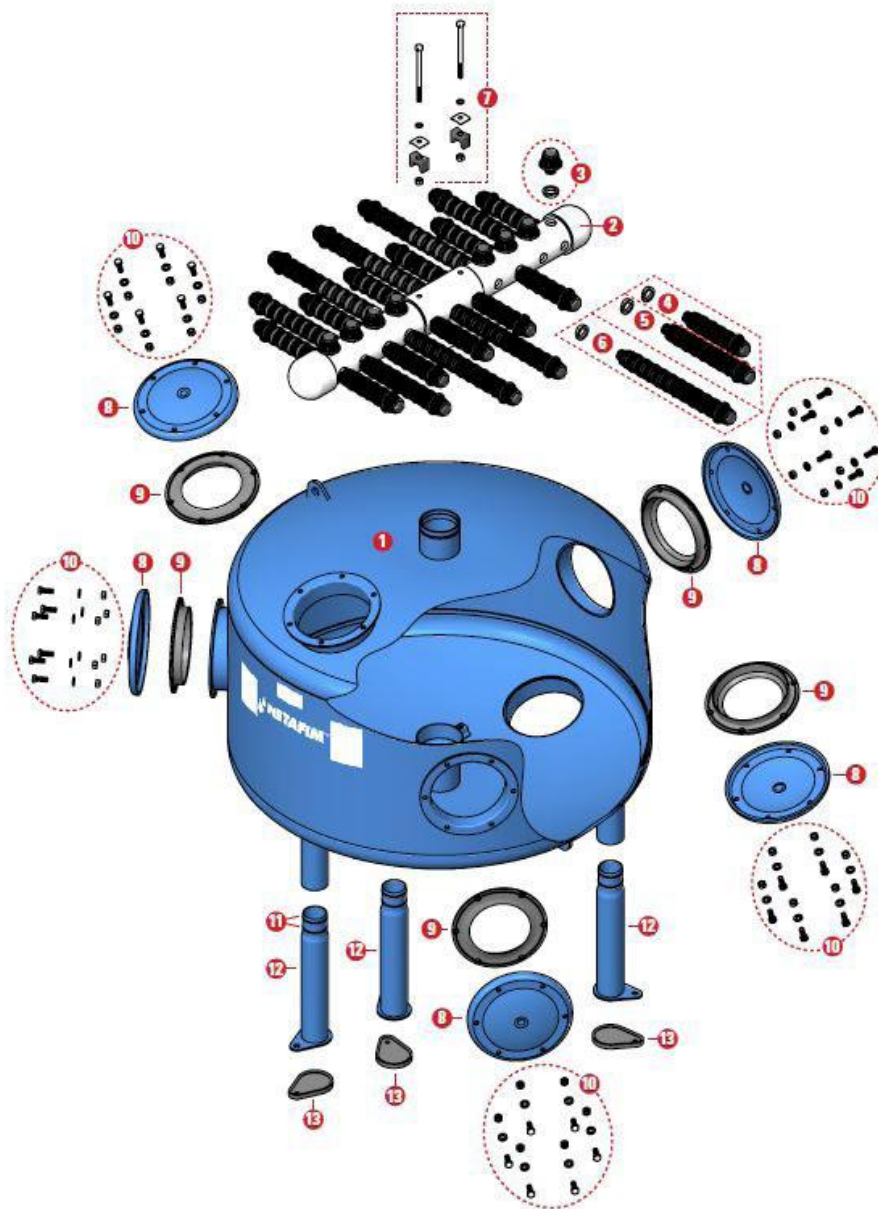
## APOLLO DISC-KLEEN FILTER PARTS

Angle Filter

| Key | Item Number  | Model Number     | Description                       | Price Each |
|-----|--------------|------------------|-----------------------------------|------------|
| 1   | 70620-003384 | 25AP22371011     | 3" Angle Body                     | 458.00     |
| 2   | 70620-003865 | 25AP50540212     | 1/4" x 1/2" Ball Valve            | 47.00      |
| 3   | 74480-015800 | 25AP700190001305 | Pressure Check Point Assembly Kit | 5.80       |
| 4   | 70620-004300 | 25AP534341       | Cover Gasket                      | 35.00      |
| 5   | 70620-019450 | 25AP70019003658  | Clamp - Polymeric Complete        | 335.00     |
| 6   | 70620-004146 | 25AP50022355     | Spine Seat O-Ring                 | 9.50       |
| 7   | 70620-001606 | 25AP20334-080    | Ring Set Only                     | 455.00     |
| 8   | 70620-007414 | 25AP21991040LC   | Spine Assembly without Rings      | 1,944.00   |
| 9   | 70620-002162 | 25AP25010602     | Filter Cover                      | 536.00     |
| 10  | 70620-007900 | 25AP50760028     | Butterfly Nut Wrench              | 63.00      |
| 11  | 70620-019460 | 25APLCLPWRENCH   | Wrench for Polymeric Clamp Bolts  | 22.00      |



# FILTERS



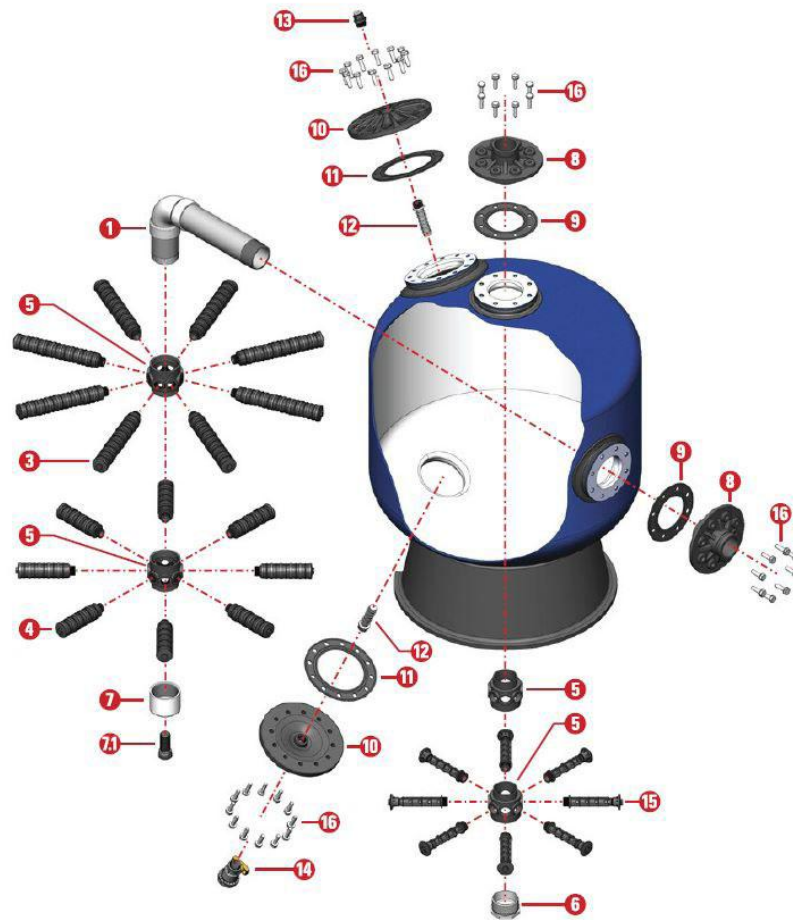
## SANDSTORM SINGLE CHAMBER METAL MEDIA FILTER BATTERY PARTS

Model Numbers 2SMFSB - Blue Color

(N)

| Key | Item Number  | Model Number     | Description   | Price Each |
|-----|--------------|------------------|---|------------|
| 1   | -            | -                | Filter Body (not available as a spare part)           | -          |
| 9   | 71915-000107 | 2SMCOVERGASKET8  | Top and Bottom Service Cover Gasket 8" (30")          | 34.00      |
|     | 71915-000121 | 2SMCOVERGASKET10 | Top and Bottom Service Cover Gasket 10" (36" and 48") | Call       |
| 10  | 71915-000113 | 2SMSERCVRPLATE8  | Top and Bottom Service Cover 8" (30")                 | 70.00      |
|     | 71915-000123 | 2SMSERCVRPLATE9  | Top and Bottom Service Cover 9" (36" and 48")         | 71.00      |
| 11  | 71915-000114 | -                | Bolt M12X50   | Call       |
| 12  | 71915-000115 | -                | Nut M12   | Call       |
| 13  | 71915-000107 | 2SMCOVERGASKET8  | Service Cover Gasket 8"                               | 34.00      |

# FILTERS



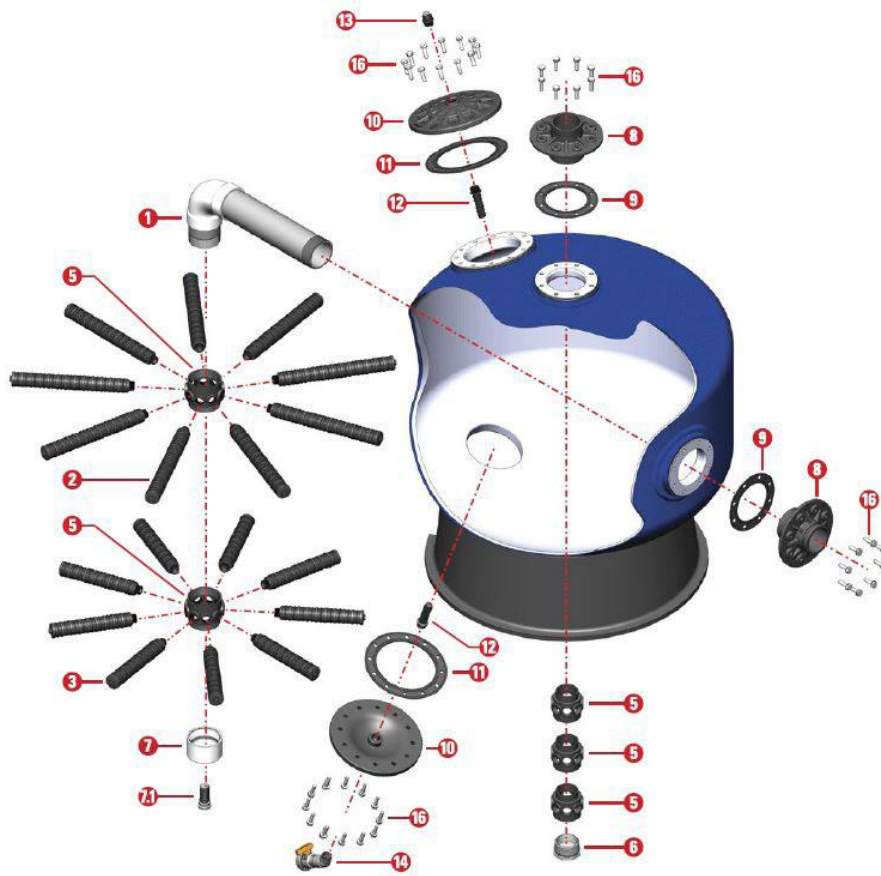
## SANDSTORM NC SPARE PARTS

Model Numbers 2NC3 - 36"

(N)

| Key | Item Number  | Model Number     | Description                                       | Price Each |
|-----|--------------|------------------|---|------------|
| 1   | 71916-000500 | 2NC36ELBOWKIT    | 3" Elbow Kit for 36" NC Tank                      | 54.00      |
| 3   | 71916-000631 | 2NC3648UD12      | 12" Underdrain Element for 36" / 48" NC Tanks     | 24.00      |
| 4   | 71916-000630 | 2NC36UD07        | 7" Underdrain Element for 36" NC Tank             | 17.00      |
| 5   | 71916-000300 | 2NC36HUB3        | 3" Hub for 36" NC Tank                            | 39.00      |
| 6   | 71916-000700 | 2NC36DIFPLUG3    | 3" Diffuser Plug for 36" NC Tank                  | 69.00      |
| 7   | 71916-000600 | 2NC36CAP3        | 3" Underdrain Cap for 36" NC Tank                 | 76.00      |
| 7.1 | 71916-000660 | 2NC3648UDSUPN&B  | Underdrain Support Nut & Bolt for 36" / 48" Tanks | 25.00      |
| 8   | 71916-000100 | 2NC36VIC3        | 3" Victaulic Adapter for 36" NC Tank              | 62.00      |
| 9   | 71916-000400 | 2NC36GASKET      | Port Gasket for 36" NC Tank                       | 18.00      |
| 10  | 71916-000200 | 2NC36COVER       | Cover for 36" NC Tank                             | 124.00     |
| 11  | 71916-000201 | 2NC36COVERGASKET | Cover Gasket for 36" / 48" NC Tanks               | 26.00      |
| 12  | 71916-000800 | 2NC3648FF        | Finger Filter for 36" / 48" NC Tanks              | 4.40       |
| 13  | 71910-105320 | 2NC3648VB        | Vacuum Breaker for 36" / 48" NC Tanks             | 4.00       |
| 14  | 71910-105100 | 2NC3648BV1       | 1" Ball Valve FOR 36" / 48" NC Tanks              | 6.50       |
| 15  | 71916-000650 | 2NC36DIF7        | 7" Diffuser Element for 36" NC Tank               | 7.00       |
| 16  | 71916-000900 | 2NC3648W&B       | Washer & Bolt Kit (40) for 36" / 48" NC Tanks     | 4.10       |

# FILTERS



\*The elbow is for transportation purpose only.  
Part 14 can be connected directly to part 10.

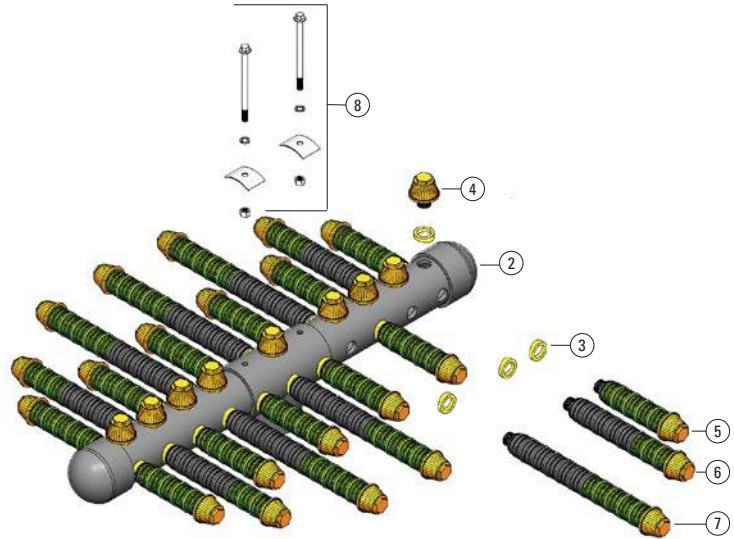
## SANDSTORM NC SPARE PARTS

Model Numbers 2NC3 - 48"

(N)

| Key | Item Number  | Model Number     | Description                                       | Price Each |
|-----|--------------|------------------|---|------------|
| 1   | 71916-000501 | 2NC48ELBOWKIT    | 3" Elbow Kit for 48" NC Tank                      | 87.00      |
| 3   | 71916-000632 | 2NC48UD12        | 17" Underdrain Element for 36" / 48" NC Tanks     | 34.00      |
| 4   | 71916-000631 | 2NC3648UD07      | 12" Underdrain Element for 48" NC Tank            | 24.00      |
| 5   | 71916-000301 | 2NC48HUB3        | 4" Hub for 48" NC Tank                            | 45.00      |
| 6   | 71916-000701 | 2NC48DIFPLUG3    | 4" Diffuser Plug for 48" NC Tank                  | 81.00      |
| 7   | 71916-000601 | 2NC48CAP3        | 4" Underdrain Cap for 48" NC Tank                 | 91.00      |
| 7.1 | 71916-000660 | 2NC3648UDSUPN&B  | Underdrain Support Nut & Bolt for 36" / 48" Tanks | 25.00      |
| 8   | 71916-000101 | 2NC48VIC3        | 4" Victaulic Adapter for 48" NC Tank              | 67.00      |
| 9   | 71916-000401 | 2NC48GASKET      | Port Gasket for 48" NC Tank                       | 21.00      |
| 10  | 71916-000202 | 2NC48COVER       | Cover for 48" NC Tank                             | 165.00     |
| 11  | 71916-000203 | 2NC48COVERGASKET | Cover Gasket for 36" / 48" NC Tanks               | 32.00      |
| 12  | 71916-000800 | 2NC3648FF        | Finger Filter for 36" / 48" NC Tanks              | 4.40       |
| 13  | 71910-105320 | 2NC3648VB        | Vacuum Breaker for 36" / 48" NC Tanks             | 4.00       |
| 14  | 71910-105100 | 2NC3648BV1       | 1" Ball Valve FOR 36" / 48" NC Tanks              | 6.50       |
| 16  | 71916-000900 | 2NC3648W&B       | Washer & Bolt Kit (40) for 36" / 48" NC Tanks     | 4.10       |

# FILTERS



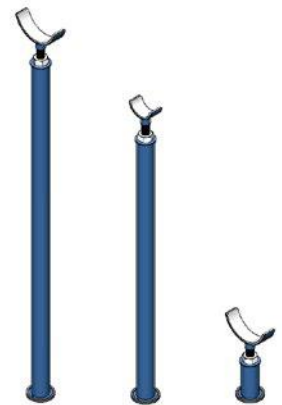
## SANDSTORM SINGLE CHAMBER METAL MEDIA FILTER BATTERY PARTS

Model Numbers 2SMFSB - Blue Color

| Key | Item Number  | Model Number     | Description                        | Price Each |
|-----|--------------|------------------|------------------------------------|------------|
| 2   | 71915-000124 | -                | Underdrain Collector (30")         | Call       |
|     | 71915-000125 | -                | Underdrain Collector (36")         | Call       |
|     | 71915-000126 | 2SMUNDDRAINCOL48 | Underdrain Collector (48")         | Call       |
| 3   | 71915-000128 | 2SMPLSWASHER     | Plastic Washer                     | 3.40       |
| 4   | 71915-000127 | 2SMMUSHROOM      | Mushroom Diffuser                  | 5.50       |
| 5   | 71915-000131 | 2SMUNDDRAIN-S    | Underdrain Element S (All Sizes)   | 9.80       |
| 6   | 71915-000132 | 2SMUNDDRAIN-M    | Underdrain Element M (36" and 48") | 16.00      |
| 7   | 71915-000133 | 2SMUNDDRAIN-L    | Underdrain Element L (48")         | 18.00      |
| 8   | 71915-000210 | 2SMUNDDRAINSCREW | Underdrain Screw Set               | Call       |

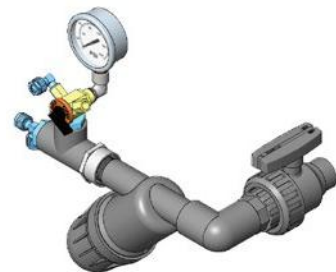
## SANDSTORM - MANIFOLD SUPPORT STANDS

| Item Number  | Model Number   | Description  | Price Each |
|--------------|----------------|--|------------|
| 71910-001965 | 2SMSTAND6-1700 | Inlet Manifold Stand 6" x 67" (36")                    | 134.00     |
| 71910-001908 | 2SMSTAND6-150  | Outlet Manifold, Straight Systems, Stand 6" x 6" (30") | 40.00      |
| 71910-001893 | 2SMSTAND3-1500 | Backflush Manifold Stand 3" x 60" (36")                | 103.00     |
| 71910-001965 | 2SMSTAND6-1700 | Inlet Manifold Stand 6" x 67" (36")                    | 134.00     |
| 71910-001909 | 2SMSTAND6-200  | Outlet Manifold, Straight Systems, Stand 6" x 8" (36") | 41.00      |
| 71910-001893 | 2SMSTAND3-1500 | Backflush Manifold Stand 3" x 60" (36")                | 103.00     |
| 71910-001971 | 2SMSTAND8-1700 | Inlet Manifold Stand 8" x 67" (48")                    | 141.00     |
| 71910-001970 | 2SMSTAND8-100  | Outlet Manifold, Straight Systems, Stand 8" x 4" (48") | 40.00      |
| 71910-001952 | 2SMSTAND4-1400 | Backflush Manifold Stand 4" x 55" (48")                | 97.00      |



## SANDSTORM - CONTROL KIT

| Item Number  | Model Number  | Description                   | Price Each |
|--------------|---------------|-------------------------------|------------|
| 37090-009610 | 2SMCONTROLKIT | 1" Control Kit NPT Connection | 308.00     |

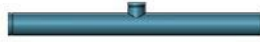


# FILTERS

Inlet/Outlet Manifold - 1 Outlet



Backflush Manifold - 1 Outlet



Inlet/Outlet Manifold - 2 Outlets



Backflush Manifold - 2 Outlets



## SANDSTORM - MANIFOLDS <sup>(N)</sup>

| Item Number  | Model Number   | Description  | Price Each |
|--------------|----------------|--|------------|
| 71910-001701 | 2SM6X1X330-36  | 6" Inlet/Outlet Manifold, 1 outlet, 3" size (30" and 36")  | 200.00     |
| 71910-001710 | 2SM6X2X330-36  | 6" Inlet/Outlet Manifold, 2 outlets, 3" size (30" and 36") | 384.00     |
| 71910-001700 | 2SM3X1X30-36BF | 3" Backflush Manifold, 1 outlet, 2" size (30" and 36")     | 119.00     |
| 71910-001709 | 2SM3X2X3036BF  | 3" Backflush Manifold, 2 outlets, 2" size (30" and 36")    | 237.00     |
| 71910-001704 | 2SM8X1X448     | 8" Inlet/Outlet Manifold, 1 outlet, 4" size (48")          | 305.00     |
| 71910-001713 | 2SM8X2X448     | 8" Inlet/Outlet Manifold, 2 outlets, 4" size (48")         | 575.00     |
| 71910-001703 | 2SM4X1X348BF   | 4" Backflush Manifold, 1 outlet, 3" size (48")             | 165.00     |
| 71910-001712 | 2SM4X2X348BF   | 4" Backflush Manifold, 2 outlets, 3" size (48")            | 326.00     |

## SANDSTORM - INLET/OUTLET MANIFOLD END CAPS <sup>(N)</sup>

| Item Number  | Model Number   | Description   | Price Each |
|--------------|----------------|---|------------|
| 71910-001800 | 2SMCAP4/3X1NPT | 4" Inlet/Outlet End Cap, Female Threaded 3 x 1"             | 62.00      |
| 71910-001802 | 2SMCAP6        | 6" Inlet/Outlet End Cap, Female Threaded 2 x 2" and 1 x 1"  | 78.00      |
| 71910-001804 | 2SMCAP8        | 8" Inlet/Outlet End Cap, Female Threaded 2 x 2" and 1 x 1"  | 86.00      |
| 71910-001821 | -              | 10" Inlet/Outlet End Cap, Female Threaded 2 x 2" and 1 x 1" | Call       |



## SANDSTORM - BACKFLUSH MANIFOLD END CAPS <sup>(N)</sup>

| Item Number  | Model Number | Description          | Price Each |
|--------------|--------------|----------------------|------------|
| 71910-001791 | 2SMCAP3      | 3" Backflush End Cap | 40.00      |
| 71910-001792 | 2SMCAP4      | 4" Backflush End Cap | 59.00      |



## SANDSTORM - MANIFOLD T FITTINGS <sup>(N)</sup>

| Item Number  | Model Number | Description                    | Price Each     |
|--------------|--------------|--------------------------------|----------------|
| 71910-001801 | -            | 8" T Fitting, 2 x 6" Outlets   | Call for Quote |
| 71910-001803 | -            | 10" T Fitting, 2 x 6" Outlets  | Call for Quote |
| 71910-001805 | -            | 10" T Fitting, 2 x 8" Outlets  | Call for Quote |
| 71910-001820 | -            | 14" T Fitting, 2 x 10" Outlets | Call for Quote |



## SANDSTORM - MANIFOLD COUPLING ADAPTERS <sup>(N)</sup>

| Item Number  | Model Number | Description                | Price Each |
|--------------|--------------|----------------------------|------------|
| 71910-002003 | 2SMFL/VIC3   | 3" Flange-Groove Coupling  | 143.00     |
| 71910-002006 | 2SMFL/VIC4   | 4" Flange-Groove Coupling  | 159.00     |
| 71910-002009 | 2SMFL/VIC6   | 6" Flange-Groove Coupling  | 251.00     |
| 71910-002012 | 2SMFL/VIC8   | 8" Flange-Groove Coupling  | 374.00     |
| 71910-002015 | 2SMFL/VIC10  | 10" Flange-Groove Coupling | 714.00     |



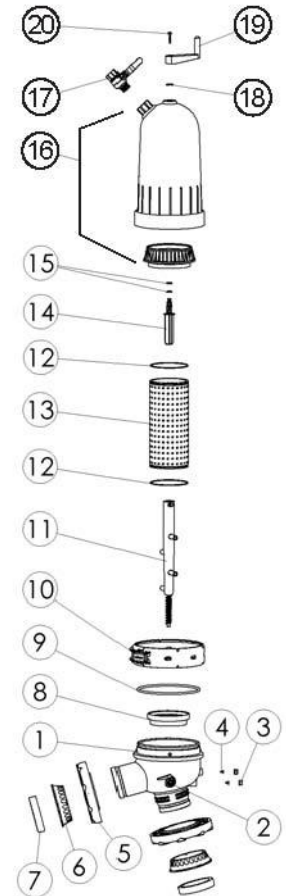


# FILTERS

## SCAN-KLEEN SCREEN FILTER PARTS

Angle Filter

| Key | Item Number  | Model Number     | Description                        | Price Each |
|-----|--------------|------------------|------------------------------------|------------|
| 1   | 70620-003383 | 25AP22371001     | 3" Angle Filter Body - Grooved     | 388.00     |
|     | 70620-003425 | 27AP22471001     | 4" Angle Filter Body - Grooved     | 427.00     |
| 2   | 70620-003865 | 25AP50540212     | 1/2" Flushing Ball Valve           | 47.00      |
| 3   | 74480-015800 | 25AP700190001305 | Pressure Check Point Assembly Kit  | 5.80       |
| 5   | 70620-004770 | 25AP25100325     | Loose Flange for 3" Angle          | 80.00      |
|     | 70620-004840 | 25AP25100425     | Loose Flange for 4" Angle          | 104.00     |
| 6   | 70620-004930 | 25AP25070308     | Cone Ring for 3" Angle             | 24.00      |
|     | 70620-004935 | 25AP25070402     | Cone Ring for 4" Angle             | 33.00      |
| 7   | 70620-004900 | 25AP50052013     | Seal for Quick Flange for 3" Angle | 30.00      |
|     | 70620-004920 | 25AP50052014     | Seal for Quick Flange for 4" Angle | 33.00      |
| 8   | 70620-012921 | 27AP25030407-C   | Lower Seat                         | 58.00      |
| 9   | 70620-004300 | 25AP534341       | Hydraulic Seal                     | 35.00      |
| 10  | 70620-004765 | 25AP50420060     | Clamp                              | 233.00     |
| 11  | 70620-012915 | 27AP25050403     | Dirt Collector                     | 485.00     |
| 12  | 70620-012916 | 27AP50022250250  | Screen Seal                        | 17.00      |
| 13  | 70620-002830 | 27AP50520825     | 80 Mesh Screen                     | 491.00     |
|     | 70620-002810 | 27AP50520822     | 120 Mesh Screen                    | 491.00     |
|     | 70620-017787 | 27AP50520823     | 150 Mesh Screen                    | 491.00     |
|     | 70620-013015 | 27AP50520821     | 200 Mesh Screen                    | 491.00     |
| 14  | 70620-012914 | 27AP25050402     | Dirt Collector Axis                | 42.00      |
| 15  | 70620-006720 | 27AP50031403     | O-Ring 14 x 3                      | 4.50       |
| 16  | 70620-010430 | 27AP22020065     | Cover Assembly                     | 858.00     |
| 17  | 76000-003400 | 27AP50540017     | 1" Ball Valve                      | 65.00      |
| 18  | 70620-012917 | 27AP25070409     | Clamping Disc                      | 16.00      |
| 19  | 70620-012918 | 27AP25300409     | Handle                             | 52.00      |
| 20  | 70620-004517 | 25AP50401012     | Bolt 6.3 x 38                      | 3.30       |

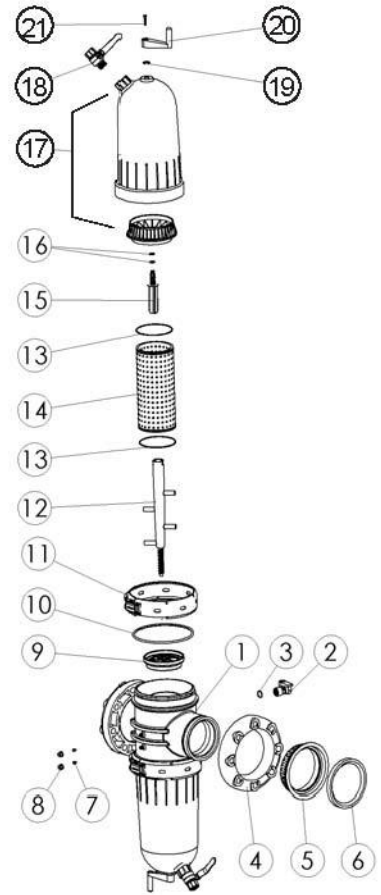


# FILTERS

## SCAN-KLEEN SCREEN FILTER PARTS

Twin Filter

| Key | Item Number  | Model Number     | Description                       | Price Each |
|-----|--------------|------------------|-----------------------------------|------------|
| 1   | 70620-003440 | 25AP22450001     | 4" Twin Filter Body - Grooved     | 1,290.00   |
|     | 70620-003448 | 25AP22460001     | 6" Twin Filter Body - Grooved     | 1,290.00   |
| 2   | 70620-003865 | 25AP50540212     | 3/4" Flushing Ball Valve          | 47.00      |
| 3   | 70620-007065 | 25AP50032311     | O-Ring 2 x 311                    | 8.20       |
| 4   | 70620-004840 | 25AP25100425     | Loose Flange for 4" Twin          | 104.00     |
|     | 70620-004890 | 25AP25100625     | Loose Flange for 6" Twin          | 186.00     |
| 5   | 70620-004935 | 25AP25070402     | Cone Ring for 4" Twin             | 33.00      |
|     | 70620-004945 | 25AP25070602     | Cone Ring for 6" Twin             | 44.00      |
| 6   | 70620-004920 | 25AP50052014     | Seal for Quick Flange for 4" Twin | 33.00      |
|     | 70620-004925 | 25AP50052016     | Seal for Quick Flange for 6" Twin | 50.00      |
| 7   | 74480-015800 | 25AP700190001305 | Pressure Check Point Assembly Kit | 5.80       |
| 8   | 70620-012921 | 27AP25030407-C   | Lower Seat                        | 58.00      |
| 9   | 70620-004300 | 25AP534341       | Hydraulic Seal                    | 35.00      |
| 10  | 70620-004765 | 25AP50420060     | Clamp                             | 233.00     |
| 11  | 70620-012915 | 27AP25050403     | Dirt Collector                    | 485.00     |
| 12  | 70620-012916 | 27AP50022250250  | Screen Seal                       | 17.00      |
|     | 70620-013030 | 27AP50520827     | 40 Mesh Screen                    | 491.00     |
| 13  | 70620-002830 | 27AP50520825     | 80 Mesh Screen                    | 491.00     |
|     | 70620-002810 | 27AP50520822     | 120 Mesh Screen                   | 491.00     |
|     | 74480-017787 | 27AP50520823     | 150 Mesh Screen                   | 491.00     |
|     | 70620-013015 | 27AP50520821     | 200 Mesh Screen                   | 491.00     |
|     | 70620-012914 | 27AP25050402     | Dirt Collector Axis               | 42.00      |
| 14  | 70620-006720 | 27AP50031403     | O-Ring 14 x 3                     | 4.50       |
| 15  | 70620-010430 | 27AP22020065     | Cover Assembly                    | 858.00     |
| 16  | 76000-003400 | 27AP50540017     | 1" Ball Valve                     | 65.00      |
| 17  | 70620-012917 | 27AP25070409     | Clamping Disc                     | 16.00      |
| 18  | 70620-012918 | 27AP25300409     | Handle                            | 52.00      |
| 19  | 70620-004517 | 25AP50401012     | Bolt 6.3 x 38                     | 3.30       |



# FILTERS



## SCRENGUARD™ AUTOMATIC SCREEN FILTER PARTS

4", 6" and 8" Sizes



| Item Number  | Model Number       | Description  | Price Each |
|--------------|--------------------|--|------------|
| 71965-000256 | 2SGPAHWASHNUTKIT   | SGV2P 10mm Washers and Nuts Kit 12 EACH 4" - 10"                 | 9.60       |
| 71965-000260 | 2SGPAHM6BOLTKIT    | SGV2P M6 Bolt and Washer Kit 4" - 10"                            | 5.10       |
| 71965-000261 | 2SGPAHAQTIVASSMBDC | SGV2P Aquative Assembly DCL w/Fittings                           | 43.00      |
| 71965-000266 | 2SGPAHTURBEARING   | SGV2P Turbine Brass Bearing 4" - 10"                             | 21.00      |
| 71965-000267 | 2SGPAHCENTRING     | SGV2P Centering Ring w/Bearing 4" - 10"                          | 33.00      |
| 71965-000300 | 2SGPAHSCR4&6-150   | SGV2P Fine Screen Assembly 4"-6" 150 Mesh SS                     | 1,659.00   |
| 71965-000301 | 2SGPAHSCR4&6-120   | SGV2P Fine Screen Assembly 4"-6" 120 Mesh SS                     | 1,659.00   |
| 71965-000302 | 2SGPAHSCR4&6-080   | SGV2P Fine Screen Assembly 4"-6" 080 Mesh SS                     | 1,659.00   |
| 71965-000303 | 2SGPAHSCR810-150   | SGV2P Fine Screen Assembly 8"-10" 150 Mesh SS                    | 2,512.00   |
| 71965-000304 | 2SGPAHSCR810-120   | SGV2P Fine Screen Assembly 8"-10" 120 Mesh SS                    | 2,512.00   |
| 71965-000305 | 2SGPAHSCR810-080   | SGV2P Fine Screen Assembly 8"-10" 80 Mesh SS                     | 2,512.00   |
| 71965-000400 | 2SGPAHFLSHASSM46   | SGV2P Flush Assembly 4" - 6"                                     | 935.00     |
| 71965-000401 | 2SGPAHCOURSESCRN   | SGV2P Course Screen 4" - 10"                                     | 544.00     |
| 71965-000402 | 2SGPAHPISTONCOVER  | SGV2P Piston Assembly 4" - 10"                                   | 468.00     |
| 71965-000403 | 2SGPAHCOVER        | SGV2P Filter Cover 4" - 10"                                      | 48.00      |
| 71965-000404 | 2SGPAHCONTROLASEMB | SGV2P Electric Controller Assembly 4" - 10" AQTV DCL - Bluetooth | 709.00     |
| 71965-000405 | 2SGPAHPRGAUGASMBLY | SGV2P Pressure Guage Assembly 4" - 10"                           | 102.00     |
| 71965-000410 | 2SGPAHSUCASMBLY46  | SGV2P Suction Assembly 4" - 6"                                   | 780.00     |
| 71965-000411 | 2SGPAHTURBINEASSM  | SGV2P Turbine Assembly 4"-10"                                    | 77.00      |
| 71965-000412 | 2SGPAHNOZZLEASMBLY | SGV2P Nozzle Assembly  | 26.00      |
| 71965-000413 | 2SGPAHRODASSEMBLY  | SGV2P Rod Assembly for SGH Piston 4" - 10"                       | 205.00     |
| 71965-000414 | 2SGPAHRELAYASEMB   | SGV2P Hydraulic Relay Assembly 4" - 10"                          | 155.00     |
| 71965-000415 | 2SGPAHFLSHASSM810  | SGV2P Flush Assembly 8" - 10"                                    | 1,247.00   |
| 71965-000416 | 2SGPAHSUCASMBLY810 | SGV2P Suction Assembly 8" - 10"                                  | 1,247.00   |
| 71965-000450 | 2SGPAHO-RINGKIT    | SGV2P Complete O-Ring & Gasket Kit 4" - 10"                      | 52.00      |
| 74310-003000 | 2SGPAHAFC1CONTROL  | SGV2P AFC1 Automatic Filter Controller - Bluetooth               | 1,426.00   |
| 71680-000800 | 2SGPAHRELAY25300   | SGV2P 25300 PLASTIC RELAY 3/8" 4" - 10"                          | 128.00     |



# FILTERS

## SERIES 350 BACKFLUSH VALVES

(N)

| Item Number  | Model Number  | Valve Size | Valve Application                             | Connections |       |       | Price Each |
|--------------|---------------|------------|---|-------------|-------|-------|------------|
|              |               |            |   | In          | Out   | Flush |            |
| 71000-012780 | 61BFG2TP      | 2"         | 2" Compact LP Disc-Kleen and 2" LP Disc-Kleen | 2" GR       | 2" TH | 2" TH | 964.00     |
| 71000-013360 | 61BFG3PB      | 3"         | 3" LP Disc-Kleen and Angle Apollo Disc-Kleen  | 3" GR       | 3" GR | 2" TH | 1,022.00   |
| 71000-013430 | 61BFG4GPB     | 4"         | 48" AGF Media & Single Chamber                | 4" GR       | 4" GR | 4" GR | 1,283.00   |
| 71000-013440 | 61BFG4GPGB-DM | 4"         | Apollo Disc-Kleen                             | 4" GR       | 4" GR | 3" TH | 1,626.00   |



## PLASLITE® BACKFLUSH VALVES

(N)

| Item Number  | Model Number | Valve Size | Valve Application                             | Connections |       |       | Price Each |
|--------------|--------------|------------|---|-------------|-------|-------|------------|
|              |              |            |   | In          | Out   | Flush |            |
| 71600-006750 | 61BFG3PSK    | 3"         | 3" Disc-Kleen Batteries                       | 3" GR       | 3" GR | 2" TH | 1,106.00   |
| 71600-006720 | 61BFG3GP     | 3"         | 3" Angle Filter Batteries and 30" Epoxy Media | 3" GR       | 3" GR | 2" TH | 1,033.00   |
| 71600-006865 | 61BFG4GP     | 4"         | 48" AGF                                       | 4" GR       | 4" GR | 4" GR | 1,843.00   |
| 71600-006855 | 61BFG4GPG-DM | 4"         | Apollo Disc-Kleen                             | 4" GR       | 4" GR | 3" TH | 1,843.00   |



## IRON BACKFLUSH VALVES

(N)

| Item Number  | Model Number | Valve Size | Valve Application            | Connections |       |       | Price Each |
|--------------|--------------|------------|------------------------------|-------------|-------|-------|------------|
|              |              |            |                              | In          | Out   | Flush |            |
| 71610-008000 | 61BFG2GT98   | 2"         | 16", 20" and 24" Epoxy Media | 2" GR       | 2" TH | 2" Th | 936.00     |
| 71600-006526 | 61BFG3GBLK   | 3"         | 30" and 36" Epoxy Media      | 3" GR       | 3" GR | 2" TH | 1,002.00   |
| 71600-006670 | 61BFG3GBLU   | 3"         | 30" and 36" Sandstorm        | 3" GR       | 3" GR | 2" TH | 763.00     |
| 71600-006660 | 61BFG4GBLU   | 4"         | 48" Sandstorm                | 4" GR       | 4" GR | 3" GR | 1,396.00   |



GR = Grooved or Victaulic connection  
TH = Threaded connection

## BACKFLUSH VALVE REPLACEMENT PARTS

Visit [www.netafimusa.com](http://www.netafimusa.com) for backflush valve replacement parts ordering information

# VALVES

## FITTINGS

(N)

| Size | Item Number  | Model Number | Description                           | Price Each |
|------|--------------|--------------|---------------------------------------|------------|
| 2"   | 78201-003280 | 44SNIP2X4    | Steel Nipple Threaded 4" Length       | 26.00      |
| 2"   | 78201-003700 | 44SNIP2VT    | Grooved x Threaded Adapter            | 52.00      |
| 3"   | 78201-009000 | 44VIC/FL3    | Grooved x Flanged Metal Split Adapter | 173.00     |
| 4"   | 78201-009020 | 44VIC/FL4    |                                       | 223.00     |
| 6"   | 78201-009040 | 44VIC/FL6    |                                       | 304.00     |
| 8"   | 78201-009060 | 44VIC/FL8    |                                       | 440.00     |
| 10"  | 78201-009080 | 44VIC/FL10   |                                       | 795.00     |
| 12"  | 78201-009100 | 44VIC/FL12   |                                       | 2,572.00   |
| 3"   | 70040-009820 | 44SEALSA03   | Gasket used with 44VIC/FL3            | 40.00      |
| 4"   | 78201-009300 | 44SEALSA04   | Gasket used with 44VIC/FL4            | 39.00      |
| 6"   | 78201-009320 | 44SEALSA06   | Gasket used with 44VIC/FL6            | 82.00      |
| 8"   | 78201-009330 | 44SEALSA08   | Gasket used with 44VIC/FL8            | 96.00      |
| 10"  | 78201-009340 | 44SEALSA10   | Gasket used with 44VIC/FL10           | 100.00     |
| 12"  | 78201-009380 | 44SEALSA12   | Gasket used with 44VIC/FL12           | 107.00     |
| 2"   | 77350-017700 | 44NIPVS02    | Grooved x Slip PVC Nipple 4" Length   | 25.00      |
| 3"   | 77350-017710 | 44NIPVS03    | Grooved x Slip PVC Nipple 4" Length   | 45.00      |
| 4"   | 77350-017720 | 44NIPVS04    | Grooved x Slip PVC Nipple 4" Length   | 52.00      |
| 6"   | 77350-017730 | 44NIPVS06    | Grooved x Slip PVC Nipple 6" Length   | 116.00     |
| 8"   | 77350-017740 | 44NIPVS08    | Grooved x Slip PVC Nipple 8" Length   | 208.00     |
| 10"  | 77350-017750 | 44NIPVS10    | Grooved x Slip PVC Nipple 12" Length  | 208.00     |
| 12"  | 77350-017760 | 44NIPVS12    | Grooved x Slip PVC Nipple 15" Length  | 211.00     |
| 2"   | 70040-002900 | 44VIC02      | Grooved Coupling with Seal            | 50.00      |
| 3"   | 70040-003000 | 44VIC03      |                                       | 61.00      |
| 4"   | 70040-003100 | 44VIC04      |                                       | 82.00      |
| 6"   | 70040-003200 | 44VIC06      |                                       | 146.00     |
| 8"   | 70040-003300 | 44VIC08      |                                       | 225.00     |
| 10"  | 70040-003400 | 44VIC10      |                                       | 516.00     |
| 12"  | 70040-003500 | 44VIC12      | 580.00                                |            |
| 2"   | 78201-008250 | 44SEAL02     | Grooved Coupling Seal                 | 26.00      |
| 3"   | 78201-008260 | 44SEAL03     |                                       | 33.00      |
| 4"   | 78201-008270 | 44SEAL04     |                                       | 40.00      |
| 6"   | 78201-008280 | 44SEAL06     |                                       | 55.00      |
| 8"   | 78201-008290 | 44SEAL08     |                                       | 74.00      |
| 10"  | 78201-008295 | 44SEAL10     |                                       | 95.00      |
| 12"  | 70040-011300 | 44SEAL12     | 135.00                                |            |



## ACCESSORIES

(N)

| Item Number  | Model Number | Description                      | Price Each |
|--------------|--------------|----------------------------------|------------|
| 00110-001750 | 6809020-30   | Pressure Gauge 0-30 psi          | 91.00      |
| 00110-001790 | 6809020-100  | Pressure Gauge 0-100 psi         | 91.00      |
| 00110-001810 | 6809020-160  | Pressure Gauge 0-160 psi         | 91.00      |
| 40001-000400 | 15CONT-8     | 8 mm Control Tubing (1000' roll) | 220.00     |
| 40001-000383 | 15CONT8C100  | 8 mm Control Tubing (100' roll)  | 33.30      |
| 40001-000381 | 15CONT8C10   | 8 mm Control Tubing (10' roll)   | 12.40      |





# VALVES



- Commonly Ordered Valves ..... 116
- Ordering Guidelines ..... 118
- Series 75 Nylon Valves ..... 119
- Series 90 PVC Valves..... 119
- NEW** Series 80 Nylon Control Valves ..... 120
- Iron Flanged Valves ..... 121
- Iron Grooved Valves ..... 122
- Iron Threaded Valves ..... 123
- Angle Valves ..... 124
- Backflush Valves ..... 125
- Solenoids and Solenoid Components ..... 126
- Battery Operated Control 3-Way Valves ..... 127
- Pilots, Relays and Pilot Components ..... 128
- Diaphragms and Diaphragm Components ..... 129
- Accessories ..... 130
- Quick Coupling Valve..... 130
- Plastic and Brass Prestolock Fittings ..... 131

# VALVES

## QUICK SELECTION GUIDE FOR COMMONLY ORDERED NETAFIM USA VALVES

Netafim USA has the widest variety of valves and valve functions in the industry to fit numerous applications. Some types of valves are ordered more frequently than others. To simplify the selection and ordering process, the most commonly ordered valves are listed on the next two pages.



**NYLON - THREADED**



**IRON - THREADED**



**IRON - GROOVED**



**IRON - FLANGED**

### BASIC VALVES

(N)

| Item Number  | Model Number | Size | Material | Connection | Diaphragm     |
|--------------|--------------|------|----------|------------|---------------|
| 71610-001100 | 61B1PL-T     | 1"   | Nylon    | Threaded   | High Pressure |
| 71610-001620 | 61B2IT-HP    | 2"   | Iron     | Threaded   | High Pressure |
| 71610-001630 | 61B2IT-LP    | 2"   | Iron     | Threaded   | Low Pressure  |
| 71600-007520 | 61B323IG-HP  | 323  | Iron     | Grooved    | High Pressure |
| 71610-002560 | 61B323IT-LP  | 323  | Iron     | Threaded   | Low Pressure  |
| 71610-004030 | 61B4IF-LP    | 4"   | Iron     | Flanged    | Low Pressure  |

Low Pressure Diaphragm: recommended if dynamic pressure gets below 30 psi.

High Pressure Diaphragm: recommended if dynamic pressure is always above 30 psi.



**NYLON - THREADED**



**PVC - SLIP**

### MANUAL VALVES

(N)

| Item Number  | Model Number | Size | Material | Connection | Diaphragm     |
|--------------|--------------|------|----------|------------|---------------|
| 71610-005700 | 61M2PL       | 2"   | Nylon    | Threaded   | High Pressure |
| 71610-017640 | 61M3PLS      | 3"   | PVC      | Slip       | High Pressure |

### ELECTRIC 3-WAY VALVES

(N)

| Item Number  | Model Number | Size | Material | Connection |
|--------------|--------------|------|----------|------------|
| 71610-014600 | 61EL2PL      | 2"   | Nylon    | Threaded   |
| 71610-015100 | 61EL323PL    | 323  | Nylon    | Threaded   |



### SERIES 80 ELECTRIC 2-WAY VALVES

(N)

| Item Number  | Model Number | Size | Material | Connection |
|--------------|--------------|------|----------|------------|
| 71640-007355 | 61ET.75GH2   | 3/4" | Nylon    | Threaded   |
| 71640-007406 | 61ET1GH2     | 1"   | Nylon    | Threaded   |
| 71640-007425 | 61ET1.5GH2   | 1.5" | Nylon    | Threaded   |
| 71610-014528 | 61ET2GH2     | 2"   | Nylon    | Threaded   |



# VALVES

## QUICK SELECTION GUIDE FOR COMMONLY ORDERED NETAFIM USA VALVES



NYLON - THREADED



PVC-SLIP



PVC - THREADED

### PRESSURE REDUCING VALVES

(N)

| Item Number  | Model Number | Size | Material | Connection | Spring Color |
|--------------|--------------|------|----------|------------|--------------|
| 71610-016050 | 61PR1.5PL-G  | 1.5" | Nylon    | Threaded   | Green        |
| 71610-016000 | 61PR1.5PL-Y  | 1.5" | Nylon    | Threaded   | Yellow       |
| 71610-016110 | 61PR2PL-G    | 2"   | Nylon    | Threaded   | Green        |
| 71610-016100 | 61PR2PL-Y    | 2"   | Nylon    | Threaded   | Yellow       |
| 71610-016500 | 61PR323PL-G  | 323  | Nylon    | Threaded   | Green        |
| 71610-016510 | 61PR323PL-Y  | 323  | Nylon    | Threaded   | Yellow       |
| 71600-012370 | 61PR3PLS-Y   | 3"   | PVC      | Slip       | Yellow       |
| 71610-016610 | 61PR3PLT-Y   | 3"   | PVC      | Threaded   | Yellow       |
| 71600-006160 | 61PR4PLS-G   | 4"   | PVC      | Slip       | Green        |
| 71600-006155 | 61PR4PLS-Y   | 4"   | PVC      | Slip       | Yellow       |
| 71600-006284 | 61PR6PLS-Y   | 6"   | PVC      | Slip       | Yellow       |

Yellow Pilot Spring: 7-30 psi

Green Pilot Spring: 14-65 psi



NYLON - THREADED



PVC - SLIP



IRON - FLANGED

### PRESSURE REDUCING ELECTRIC 3-WAY VALVES

(N)

| Item Number  | Model Number   | Size | Material | Connection | Spring Color |
|--------------|----------------|------|----------|------------|--------------|
| 71610-016860 | 61PREL2PL-Y    | 2"   | Nylon    | Threaded   | Yellow       |
| 71610-016900 | 61PREL323PL-Y  | 323  | Nylon    | Threaded   | Yellow       |
| 71640-005140 | 61PREL3PLS-Y   | 3"   | PVC      | Slip       | Yellow       |
| 71640-005560 | 61PREL4PLS-Y   | 4"   | PVC      | Slip       | Yellow       |
| 71610-017705 | 61PREL4IF-HP-Y | 4"   | Iron     | Flanged    | Yellow       |
| 71610-017954 | 61PREL6IF-HP-Y | 6"   | Iron     | Flanged    | Yellow       |

Yellow Pilot Spring: 7-30 psi up to 4" valves, 38-45 psi for 6" valves.

# VALVES

## ORDERING GUIDELINES

Please provide the following information when calling for assistance.

- Flow Rate
- Inlet Pressure
- Desired Outlet Pressure
- Topographical Details
- Pump Curve, Type, etc.

## HOW TO DETERMINE THE CORRECT VALVE MODEL NUMBER

- Select Function
- Select Diameter
- Select Required Material and End Connection
- Select Diaphragm based on Upstream Pressure
- Select Spring Color (for Pilot Operated Valves Only)

| 61  | Function Code  | Diameter   | Material & End Connection   | Diaphragm  | Spring Color |
|---|--|--|---|--|--------------|
| <b>B</b> Basic<br><b>M</b> Manual<br><b>EL</b> Electric 3-Way<br><b>MEL</b> Manual Electric 3-Way<br><b>TH</b> Basic Throttling<br><b>MTH</b> Manual Throttling<br><b>ELT</b> Electric 3-Way Throttling<br><b>MELT</b> Manual Electric Throttling<br><b>ELC</b> Electric 3-Way with Installed Controller<br><b>PR</b> Pressure Reducing 3-Way<br><b>2PR</b> Pressure Reducing 2-Way<br><b>PREL</b> Pressure Reducing Electric 3-Way<br><b>PRRC</b> Pressure Reducing Remote Control 3-Way<br><b>PS</b> Pressure Sustaining 3-Way<br><b>2PS</b> Pressure Sustaining 2-Way<br><b>PSEL</b> Pressure Sustaining Electric 3-Way<br><b>PSNO</b> Pressure Sustaining 3-Way Normally Open<br><b>PRPS</b> Pressure Reducing/Pressure Sustaining 3-Way<br><b>QR</b> Quick Reacting Pressure Relief<br><b>QRL</b> Pressure Sustaining Relief<br><b>RC</b> Hydraulic Remote Control | <b>Nylon:</b><br>1", 1 1/2", 2", 323<br>343, 4", 646, 6", 868<br><b>PVC:</b><br>3", 4", 6"<br><b>Iron Flanged:</b><br>3", 4", 4" Angle, 6", 6" Angle, 868, 8", 10", 12"<br><b>Iron Grooved:</b><br>2", 323, 3", 3" Angle, 4", 6"<br><b>Iron Threaded:</b><br>1", 1 1/2", 2", 2" Angle, 323, 3", 3" Angle | <b>AN</b> Angle<br><b>PL</b> Nylon Threaded<br><b>PLT</b> PVC Threaded<br><b>PLS</b> PVC Slip<br><b>NF</b> Nylon Flanged<br><b>NG</b> Nylon Grooved<br><b>IT</b> Iron Threaded<br><b>IF</b> Iron Flanged<br><b>IG</b> Iron Grooved | <b>IRON (1"-24")</b><br><b>LP (Low Pressure)</b><br>Used when dynamic pressure can get below 30 psi<br><b>HP (High Pressure)</b><br>Used when dynamic pressure is always above 30 psi<br><b>NOTE:</b> Diaphragms for very low pressures (below 15 psi) are also available | <b>SPRING SELECTION (STANDARD PILOTS)</b><br><b>1 - 4" Valves</b><br><b>Y</b> Yellow (4-40 psi)<br><b>G</b> Green (7-65 psi)<br><b>R</b> Red (15-110 psi)<br><b>6" &amp; Larger Valves</b><br><b>Y</b> Yellow (4-90 psi)<br><b>G</b> Green (7-150 psi)<br><b>R</b> Red (9-220 psi) |              |

**NOTE:** All Electric Valves are standard with 24VAC Solenoids. Other voltages available by special order.

# VALVES



**ORDERING EXAMPLE**  
**MODEL NUMBER: 61PR2PL-G**

|    |               |          |        |              |
|----|---------------|----------|--------|--------------|
| 61 | PR            | 2        | PL     | G            |
|    | Function Code | Diameter | Suffix | Spring Color |

## SERIES 75 NYLON VALVES

Suffix Codes - PL, PLT, PLS, PBI

(N)

| Valve Function                    | Function Code | 1" Nylon | 1 1/2" Nylon | 2" Nylon | 323 Nylon | 3" Nylon | 343 Nylon | 4" Nylon Vitaulic | 4" Nylon Flanged | 646 Nylon | 6" Nylon | 868 Nylon |
|-----------------------------------|---------------|----------|--------------|----------|-----------|----------|-----------|-------------------|------------------|-----------|----------|-----------|
| Basic                             | B             | 80.00    | 150.00       | 168.00   | 269.00    | 333.00   | 614.00    | 709.00            | 790.00           | 1,023.00  | 2,041.00 | 2,550.00  |
| Manual                            | M             | 158.00   | 228.00       | 246.00   | 344.00    | 409.00   | 685.00    | 779.00            | 860.00           | 1,094.00  | 2,112.00 | 2,620.00  |
| Electric 3-Way (24VAC)            | EL            | 273.00   | 341.00       | 361.00   | 462.00    | 526.00   | 814.00    | 907.00            | 988.00           | 1,223.00  | 2,240.00 | 2,748.00  |
| Manual Electric                   | MEL           | 348.00   | 419.00       | 435.00   | 539.00    | 603.00   | 860.00    | 953.00            | 1,047.00         | 1,281.00  | 2,299.00 | 2,806.00  |
| Hydraulic Remote Control          | RC            | 310.00   | 380.00       | 397.00   | 498.00    | 562.00   | 842.00    | 943.00            | 1,030.00         | 1,264.00  | 2,282.00 | 2,789.00  |
| Pressure Reducing                 | PR            | 374.00   | 439.00       | 458.00   | 554.00    | 618.00   | 860.00    | 953.00            | 1,047.00         | 1,281.00  | 2,387.00 | 2,776.00  |
| Pressure Reducing Electric        | PREL          | 454.00   | 515.00       | 547.00   | 667.00    | 731.00   | 995.00    | 1,094.00          | 1,182.00         | 1,416.00  | 2,521.00 | 2,876.00  |
| Pressure Reducing Remote Control  | PRRC          | 611.00   | 677.00       | 696.00   | 790.00    | 855.00   | 1,129.00  | 1,228.00          | 1,316.00         | 1,549.00  | 2,621.00 | 3,130.00  |
| Pressure Reducing/Sustaining      | PRPS          | 705.00   | 771.00       | 789.00   | 887.00    | 950.00   | 1,246.00  | 1,345.00          | 1,433.00         | 1,666.00  | 2,738.00 | 3,126.00  |
| Pressure Sustaining               | PS            | 426.00   | 494.00       | 515.00   | 614.00    | 679.00   | 860.00    | 953.00            | 1,047.00         | 1,281.00  | 2,353.00 | 2,860.00  |
| Pressure Sustaining Electric      | PSEL          | 516.00   | 585.00       | 603.00   | 699.00    | 763.00   | 995.00    | 1,094.00          | 1,182.00         | 1,416.00  | 2,487.00 | 2,995.00  |
| Pressure Sustaining Electric N.O. | PSNO          | 696.00   | 766.00       | 782.00   | 883.00    | 947.00   | 1,258.00  | 1,357.00          | 1,445.00         | 1,678.00  | 2,750.00 | 3,247.00  |

All Electric Valves are standard with 24VAC Solenoid. Other voltages available by special order.

## SERIES 90 PVC VALVES

Suffix Codes - PL, PLT, PLS, PBI

(N)

| Valve Function                    | Function Code | 3" PVC Threaded | 3" PVC Slip | 4" PVC Slip | 6" PVC Slip |
|-----------------------------------|---------------|-----------------|-------------|-------------|-------------|
| Basic                             | B             | 575.00          | 538.00      | 744.00      | 2,107.00    |
| Manual                            | M             | 652.00          | 612.00      | 822.00      | 2,259.00    |
| Electric 3-Way (24VAC)            | EL            | 768.00          | 728.00      | 934.00      | 2,451.00    |
| Manual Electric                   | MEL           | 841.00          | 807.00      | 1,012.00    | 2,564.00    |
| Hydraulic Remote Control          | RC            | 808.00          | 767.00      | 976.00      | 2,564.00    |
| Pressure Reducing                 | PR            | 852.00          | 812.00      | 1,015.00    | 2,372.00    |
| Pressure Reducing Electric        | PREL          | 963.00          | 921.00      | 1,119.00    | 2,468.00    |
| Pressure Reducing Remote Control  | PRRC          | 1,089.00        | 1,049.00    | 1,251.00    | 2,608.00    |
| Pressure Reducing/Sustaining      | PRPS          | 1,182.00        | 1,144.00    | 1,316.00    | 2,702.00    |
| Pressure Sustaining               | PS            | 922.00          | 882.00      | 1,091.00    | 2,452.00    |
| Pressure Sustaining Electric      | PSEL          | 1,011.00        | 963.00      | 1,169.00    | 2,617.00    |
| Pressure Sustaining Electric N.O. | PSNO          | 1,188.00        | 1,150.00    | 1,357.00    | 2,728.00    |

All Electric Valves are standard with 24VAC Solenoid. Other voltages available by special order.



# VALVES



3/4" OR 1" GLOBE



1 1/2" OR 2" ANGLE



1 1/2" OR 2" GLOBE



2" OR 3" QR ANGLE



PS ANGLE



PREL GLOBE

## SERIES 80 NYLON CONTROL 2-WAY VALVES <sup>(N)</sup>

| Item Number  | Model Number       | Size   | Voltage | Max Flow Rates(GPM) | Price Each |
|--------------|--------------------|--------|---------|---------------------|------------|
| 71640-007355 | 61ET.75GH2         |        | 24VAC   | 50                  | 65.00      |
| 71610-013956 | 61ET.75GH2-24DC    | 3/4"   | 24VDC   | 50                  | 65.00      |
| 71640-007357 | 61ET.75GH2-12DC    | Globe  | 12VDC   | 50                  | 80.00      |
| 71640-007356 | 61ET.75GH2-L       |        | 12VDCL  | 50                  | 80.00      |
| 71640-007358 | 61ET.75GH2-120     |        | 120VAC  | 50                  | 111.00     |
| 71640-007406 | 61ET1GH2           |        | 24VAC   | 50                  | 65.00      |
| 71610-013966 | 61ET1GH2-24DC      | 1"     | 24VDC   | 50                  | 65.00      |
| 71610-014523 | 61ET1GH2-12DC      | Globe  | 12VDC   | 50                  | 80.00      |
| 71610-013967 | 61ET1GH2-L         |        | 12VDCL  | 50                  | 80.00      |
| 71610-013968 | 61ET1GH2-120       |        | 120VAC  | 50                  | 111.00     |
| 71640-007425 | 61ET1.5GH2         |        | 24VAC   | 90                  | 155.00     |
| 71610-014064 | 61ET1.5GH2-24DC    | 1 1/2" | 24VDC   | 90                  | 198.00     |
| 71610-014067 | 61ET1.5GH2-12DC    | Globe  | 12VDC   | 90                  | 214.00     |
| 71610-014061 | 61ET1.5GH2-L       |        | 12VDCL  | 90                  | 214.00     |
| 71610-014063 | 61ET1.5GH2-120     |        | 120VAC  | 90                  | 245.00     |
| 71640-007426 | 61ET1.5GH2-AN      |        | 24VAC   | 90                  | 208.00     |
| -            | 61ET1.5GH2-AN-24DC | 1 1/2" | 24VDC   | 90                  | 250.00     |
| -            | 61ET1.5GH2-AN-12DC | Angle  | 12VDC   | 90                  | 267.00     |
| 71610-014066 | 61ET1.5GH2-AN-L    |        | 12VDCL  | 90                  | 267.00     |
| -            | 61ET1.5GH2-AN-120  |        | 120VAC  | 90                  | 296.00     |
| 71610-014528 | 61ET2GH2           |        | 24VAC   | 175                 | 208.00     |
| 71610-014518 | 61ET2GH2-24DC      | 2"     | 24VDC   | 175                 | 250.00     |
| 71610-014524 | 61ET2GH2-12DC      | Globe  | 12VDC   | 175                 | 267.00     |
| 71610-014525 | 61ET2GH2-L         |        | 12VDCL  | 175                 | 267.00     |
| 71610-013971 | 61ET2GH2-120       |        | 120VAC  | 175                 | 296.00     |
| 71640-007667 | 61ET2GH2-AN        |        | 24VAC   | 175                 | 229.00     |
| 71610-014517 | 61ET2GH2-AN-24DC   |        | 24VDC   | 175                 | 272.00     |
| -            | 61ET2GH2-AN-12DC   | 2"     | 12VDC   | 175                 | 288.00     |
| -            | 61ET2GH2-AN-L      | Angle  | 12VDCL  | 175                 | 288.00     |
| -            | 61ET2GH2-AN-120    |        | 120VAC  | 175                 | 317.00     |

## SERIES 80 NYLON CONTROL 3-WAY VALVES <sup>(N)</sup>

| Model Number       | Size   | Function | Price Each |
|--------------------|--------|----------|------------|
| 61ELTH1.5GH3       |        | EL       | 341.00     |
| 61PRTH1.5GH3-*     | 1 1/2" | PR       | 439.00     |
| 61PRELTH1.5GH3-*   | Globe  | PREL     | 515.00     |
| 61PSTH1.5GH3-*     |        | PS       | 494.00     |
| 61PSELTH1.5GH3-*   |        | PSEL     | 585.00     |
| 61ELTH1.5GH3AN     |        | EL       | 341.00     |
| 61PRTH1.5GH3AN-*   | 1 1/2" | PR       | 439.00     |
| 61PRELTH1.5GH3AN-* | Angle  | PREL     | 515.00     |
| 61PSTH1.5GH3AN-*   |        | PS       | 494.00     |
| 61PSELTH1.5GH3AN-* |        | PSEL     | 585.00     |
| 61ELTH2GH3         |        | EL       | 361.00     |
| 61PRTH2GH3-*       | 2"     | PR       | 458.00     |
| 61PRELTH2GH3-*     | Globe  | PREL     | 576.00     |
| 61PSTH2GH3-*       |        | PS       | 515.00     |
| 61PSELTH2GH3-*     |        | PSEL     | 603.00     |
| 61ELTH2GH3AN       |        | EL       | 361.00     |
| 61PRTH2GH3AN-*     | 2"     | PR       | 458.00     |
| 61PRELTH2GH3AN-*   | Angle  | PREL     | 576.00     |
| 61PSTH2GH3AN-*     |        | PS       | 515.00     |
| 61PSELTH2GH3AN-*   |        | PSEL     | 603.00     |

Substitute \* with proper Spring Color. Refer to Valve Ordering Guidelines for Spring Colors and Function Code identification. Electric Valves standard with 24VAC - other voltages available.

## SERIES 80 NYLON QR VALVES <sup>(N)</sup>

| Item Number  | Model Number    | Size     | Price Each |
|--------------|-----------------|----------|------------|
| 71600-000052 | 61QR2PLS80-AN-Y | 2" Angle | 641.00     |
| 71600-000029 | 61QR3PLS80-AN-Y | 3" Angle | 792.00     |

## SERIES 80 CONTROL 2-WAY VALVES WITH CONTROLLER <sup>(N)</sup>

Includes Battery Operated Aqua Pro Single Valve Controller and 12VDC Latching Solenoid

| Item Number  | Model Number         | Size         | Price Each |
|--------------|----------------------|--------------|------------|
| 71610-013955 | 61ET.75GH2-L-CONT    | 3/4" Globe   | 235.00     |
| 71610-013969 | 61ET1GH2-L-CONT      | 1" Globe     | 235.00     |
| 71610-014062 | 61ET1.5GH2-L-CONT    | 1 1/2" Globe | 368.00     |
| -            | 61ET1.5GH2-AN-L-CONT | 1 1/2" Angle | 420.00     |
| 71610-014526 | 61ET2GH2-L-CONT      | 2" Globe     | 420.00     |
| 71610-014519 | 61ET2GH2-AN-L-CONT   | 2" Angle     | 443.00     |
| 37000-002000 | AP-CONTROLLER-P3     | Controller   | 112.00     |





# VALVES



**ORDERING EXAMPLE**  
**MODEL NUMBER: 61PS4IF-LP-G**

|    |               |          |        |           |              |
|----|---------------|----------|--------|-----------|--------------|
| 61 | PS            | 4        | IF     | - LP      | - G          |
|    | Function Code | Diameter | Suffix | Diaphragm | Spring Color |

## IRON FLANGED VALVES

Suffix Code - IF



| Valve Function                    | Function Code | 3"       | 4"       | 6"       | 868      | 8"       | 10"      | 12"       |
|-----------------------------------|---------------|----------|----------|----------|----------|----------|----------|-----------|
| Basic                             | B             | 698.00   | 1,064.00 | 2,542.00 | 3,627.00 | 4,731.00 | 6,317.00 | 12,513.00 |
| Manual                            | M             | 772.00   | 1,140.00 | 2,696.00 | 3,779.00 | 4,884.00 | 6,470.00 | 12,663.00 |
| Electric 3-Way (24VAC)            | EL            | 888.00   | 1,257.00 | 2,884.00 | 3,967.00 | 5,072.00 | 6,657.00 | 12,854.00 |
| Manual Electric                   | MEL           | 961.00   | 1,332.00 | 2,998.00 | 4,081.00 | 5,187.00 | 6,772.00 | 12,967.00 |
| Hydraulic Remote Control          | RC            | 924.00   | 1,296.00 | 2,998.00 | 4,081.00 | 5,187.00 | 6,772.00 | 12,967.00 |
| Pressure Reducing                 | PR            | 963.00   | 1,319.00 | 3,521.00 | 4,598.00 | 5,708.00 | 7,291.00 | 13,482.00 |
| Pressure Reducing Electric        | PREL          | 1,185.00 | 1,541.00 | 3,920.00 | 4,999.00 | 6,101.00 | 7,689.00 | 13,881.00 |
| Pressure Reducing Remote Control  | PRRC          | 1,197.00 | 1,552.00 | 3,742.00 | 4,831.00 | 5,925.00 | 7,514.00 | 13,704.00 |
| Pressure Reducing and Sustaining  | PRPS          | 1,147.00 | 1,501.00 | 3,742.00 | 4,825.00 | 5,931.00 | 7,514.00 | 13,704.00 |
| Pressure Sustaining               | PS            | 1,040.00 | 1,408.00 | 3,648.00 | 4,732.00 | 5,838.00 | 7,424.00 | 13,619.00 |
| Pressure Sustaining Electric      | PSEL          | 1,228.00 | 1,596.00 | 4,057.00 | 5,145.00 | 6,248.00 | 7,835.00 | 14,030.00 |
| Pressure Sustaining Electric N.O. | PSNO          | 1,304.00 | 1,673.00 | 4,694.00 | 5,781.00 | 6,884.00 | 8,472.00 | 14,667.00 |
| Quick Reacting Pressure Relief    | QR            | 2,017.00 | 2,384.00 | 4,968.00 | 6,053.00 | 7,159.00 | 8,742.00 | 14,938.00 |
| 2-Way Pressure Reducing           | 2PR           | 1,334.00 | 1,689.00 | 3,772.00 | 4,853.00 | 5,956.00 | 7,541.00 | 13,736.00 |
| 2-Way Pressure Sustaining         | 2PS           | 1,605.00 | 1,976.00 | 3,907.00 | 4,993.00 | 6,095.00 | 7,682.00 | 13,877.00 |

**NOTE:** Copper Tubing and Prestolock Fittings are available on all valves - please call Netafim USA Customer Service for pricing.  
 All Electric Valves are standard with 24VAC Solenoid. Other voltages available by special order.  
 4" and smaller valves are standard with plastic pilots and plastic base solenoids.  
 6" and larger valves are standard with metal pilots and metal base solenoids (some exceptions apply).

### ADDITIONAL FUNCTIONS

| Valve Function             |
|----------------------------|
| Flow Control               |
| Excessive Flow Shut-off    |
| Deep Well Control          |
| Surge Anticipating         |
| Float Control              |
| Differential Float Control |
| Altitude Control           |
| Pump Control               |

For additional functions, please call Netafim USA Customer Service.

### ADDITIONAL SIZES

| Valve Size |
|------------|
| 14"        |
| 16"        |
| 20"        |
| 24"        |

# VALVES



**ORDERING EXAMPLE**  
**MODEL NUMBER: 61PREL3IG-HP-R**

|           |                      |                 |               |                  |                     |
|-----------|----------------------|-----------------|---------------|------------------|---------------------|
| <b>61</b> | <b>PREL</b>          | <b>3</b>        | <b>IG</b>     | <b>- HP</b>      | <b>- R</b>          |
|           | <b>Function Code</b> | <b>Diameter</b> | <b>Suffix</b> | <b>Diaphragm</b> | <b>Spring Color</b> |

## IRON GROOVED VALVES

Suffix Code - IG

(N)

| Valve Function                    | Function Code | 2"       | 323      | 3"       | 4"       | 6"       |
|-----------------------------------|---------------|----------|----------|----------|----------|----------|
| Basic                             | B             | 224.00   | 311.00   | 673.00   | 1,020.00 | 2,470.00 |
| Manual                            | M             | 298.00   | 386.00   | 749.00   | 1,097.00 | 2,622.00 |
| Electric 3-Way (24VAC)            | EL            | 415.00   | 501.00   | 864.00   | 1,211.00 | 2,813.00 |
| Manual Electric                   | MEL           | 489.00   | 577.00   | 941.00   | 1,289.00 | 2,928.00 |
| Hydraulic Remote Control          | RC            | 453.00   | 539.00   | 901.00   | 1,248.00 | 2,928.00 |
| Pressure Reducing                 | PR            | 509.00   | 591.00   | 944.00   | 1,301.00 | 3,454.00 |
| Pressure Reducing Electric        | PREL          | 728.00   | 812.00   | 1,176.00 | 1,519.00 | 3,847.00 |
| Pressure Reducing Remote Control  | PRRC          | 742.00   | 828.00   | 1,190.00 | 1,531.00 | 3,674.00 |
| Pressure Reducing and Sustaining  | PRPS          | 687.00   | 773.00   | 1,137.00 | 1,481.00 | 3,674.00 |
| Pressure Sustaining               | PS            | 567.00   | 655.00   | 1,017.00 | 1,363.00 | 3,580.00 |
| Pressure Sustaining Electric      | PSEL          | 757.00   | 842.00   | 1,206.00 | 1,552.00 | 3,986.00 |
| Pressure Sustaining Electric N.O. | PSNO          | 832.00   | 917.00   | 1,281.00 | 1,628.00 | 4,624.00 |
| Quick Reacting Pressure Relief    | QR            | 1,105.00 | 1,194.00 | 1,992.00 | 2,340.00 | 4,898.00 |
| 2-Way Pressure Reducing           | 2PR           | 874.00   | 959.00   | 1,323.00 | 1,666.00 | 3,703.00 |
| 2-Way Pressure Sustaining         | 2PS           | 1,135.00 | 1,222.00 | 1,584.00 | 1,933.00 | 3,837.00 |

**NOTE:** Copper Tubing and Prestolock Fittings are available on all valves - please call Netafim USA Customer Service for pricing.

All Electric Valves are standard with 24VAC Solenoid. Other voltages available by special order.

4" and smaller valves are standard with plastic pilots and plastic base solenoids.

6" valves are standard with metal pilots and metal base solenoids (some exceptions apply).

## ADDITIONAL FUNCTIONS

### Valve Function

Flow Control

Excessive Flow Shut-off

Deep Well Control

Surge Anticipating

Float Control

Differential Float Control

Altitude Control

Pump Control

For additional functions, please call Netafim USA Customer Service.

# VALVES



**ORDERING EXAMPLE**  
**MODEL NUMBER: 61MEL2IT-HP**

|    |               |          |        |           |
|----|---------------|----------|--------|-----------|
| 61 | MEL           | 2        | IT     | - HP      |
|    | Function Code | Diameter | Suffix | Diaphragm |

## IRON THREADED VALVES

Suffix Code - IT

(N)

| Valve Function                   | Function Code | 1"       | 1 1/2"   | 2"       | 3/2"     | 3"       |
|----------------------------------|---------------|----------|----------|----------|----------|----------|
| Basic                            | B             | 141.00   | 183.00   | 224.00   | 311.00   | 673.00   |
| Manual                           | M             | 216.00   | 258.00   | 298.00   | 386.00   | 749.00   |
| Electric 3-Way (24VAC)           | EL            | 332.00   | 373.00   | 415.00   | 501.00   | 864.00   |
| Manual Electric                  | MEL           | 408.00   | 450.00   | 489.00   | 577.00   | 941.00   |
| Hydraulic Remote Control         | RC            | 370.00   | 412.00   | 453.00   | 539.00   | 901.00   |
| Pressure Reducing                | PR            | 424.00   | 465.00   | 509.00   | 591.00   | 944.00   |
| Pressure Reducing Electric       | PREL          | 648.00   | 686.00   | 728.00   | 812.00   | 1,176.00 |
| Pressure Reducing Remote Control | PRRC          | 660.00   | 701.00   | 742.00   | 828.00   | 1,190.00 |
| Pressure Reducing and Sustaining | PRPS          | 608.00   | 650.00   | 687.00   | 773.00   | 1,137.00 |
| Pressure Sustaining              | PS            | 483.00   | 524.00   | 567.00   | 655.00   | 1,017.00 |
| Pressure Sustaining Electric     | PSEL          | 673.00   | 715.00   | 757.00   | 842.00   | 1,206.00 |
| 2-Way Pressure Reducing          | 2PR           | 794.00   | 834.00   | 874.00   | 959.00   | 1,323.00 |
| 2-Way Pressure Sustaining        | 2PS           | 1,052.00 | 1,093.00 | 1,135.00 | 1,222.00 | 1,584.00 |

**NOTE:** Copper Tubing and Prestolock Fittings are available on all valves - please call Netafim USA Customer Service for pricing.  
 All Electric Valves are standard with 24VAC Solenoid. Other voltages available by special order.  
 3" and smaller valves are standard with plastic pilots and plastic base solenoids (some exceptions apply).

## ADDITIONAL FUNCTIONS

### Valve Function

Flow Control

Excessive Flow Shut-off

Deep Well Control

Surge Anticipating

Float Control

Differential Float Control

Altitude Control

Pump Control

For additional functions, please call Netafim USA Customer Service.

# VALVES



**ORDERING EXAMPLE**  
**MODEL NUMBER: 61PS3ITAN-HP-G**

|    |               |          |        |           |              |
|----|---------------|----------|--------|-----------|--------------|
| 61 | PS            | 3        | ITAN   | - HP      | - G          |
|    | Function Code | Diameter | Suffix | Diaphragm | Spring Color |

## ANGLE VALVES

Suffix Code - AN

(N)

| Valve Function                        | Material      | Iron        | Iron        | Iron       | Iron       | Iron       |
|---------------------------------------|---------------|-------------|-------------|------------|------------|------------|
|                                       | Function Code | 2" Threaded | 3" Threaded | 3" Grooved | 4" Flanged | 6" Flanged |
| Basic                                 | B             | 275.00      | 551.00      | 673.00     | 1,342.00   | 2,652.00   |
| Manual                                | M             | 349.00      | 627.00      | 749.00     | 1,417.00   | 2,802.00   |
| Electric 3-Way (24VAC)                | EL            | 458.00      | 741.00      | 865.00     | 1,532.00   | 2,991.00   |
| Manual Electric                       | MEL           | 532.00      | 815.00      | 941.00     | 1,610.00   | 3,107.00   |
| Pressure Reducing                     | PR            | 546.00      | 823.00      | 942.00     | 1,613.00   | 3,551.00   |
| Pressure Reducing Electric            | PREL          | 758.00      | 1,044.00    | 1,159.00   | 1,828.00   | 3,948.00   |
| Pressure Reducing and Sustaining      | PRPS          | 718.00      | 1,006.00    | 1,122.00   | 1,792.00   | 3,695.00   |
| Pressure Sustaining                   | PS            | 604.00      | 894.00      | 1,017.00   | 1,684.00   | 3,682.00   |
| Pressure Sustaining Electric          | PSEL          | 808.00      | 1,084.00    | 1,206.00   | 1,876.00   | 4,091.00   |
| Pressure Sustaining Relief (<100 psi) | QRL           | 678.00      | 969.00      | 1,092.00   | 1,759.00   | 3,756.00   |

**NOTE:** Copper Tubing and Prestolock Fittings are available on all valves - please call Netafim USA Customer Service for pricing.

All Electric Valves are standard with 24VAC Solenoid. Other voltages available by special order.

4" and smaller valves are standard with plastic pilots and plastic base solenoids.

6" and larger valves are standard with metal pilots and metal base solenoids (some exceptions apply).

## QUICK REACTING PRESSURE RELIEF VALVES

(N)

| Item Number  | Model Number  | Description                    | Price Each |
|--------------|---------------|--------------------------------|------------|
| 71600-000104 | 61QR2ITB-AN-G | 2" Iron Threaded Angle - Green | 1,238.00   |
| 71600-000111 | 61QR2ITB-AN-R | 2" Iron Threaded Angle - Red   | 1,238.00   |
| 71600-000105 | 61QR3ITB-AN-G | 3" Iron Threaded Angle - Green | 1,431.00   |
| 71600-000103 | 61QR4IFB-AN-G | 4" Iron Flanged Angle - Green  | 2,663.00   |

# VALVES

## NYLON ELECTRIC THROTTLING PBI 2-WAY VALVES <sup>(N)</sup>

| Item Number  | Model Number   | Size   | Voltage | Case Qty | Price Per Case |
|--------------|----------------|--------|---------|----------|----------------|
| 71610-014015 | 61ET1PBI-BC    | 1"     | 24VAC   | 20       | 923.00         |
| 71610-014040 | 61ET1.5PBI2-BC | 1 1/2" | 24VAC   | 8        | 1,119.00       |
| 71610-014507 | 61ET2PBI2-BC   | 2"     | 24VAC   | 8        | 1,239.00       |
| 71610-015202 | 61ET323PBI2-BC | 323    | 24VAC   | 4        | 1,338.00       |



**NOTE:** Sold in Case Quantities and 24VAC Only.  
For other voltages (12VDC, 12VDCL) and individual valve quantities, order the Series 80 Nylon Control Valves.

## AQUA PRO SINGLE VALVE CONTROLLER

| Item Number  | Model Number     | Price Each            |
|--------------|------------------|-----------------------|
| 37000-002000 | AP-CONTROLLER-P3 | 112.00 <sup>(N)</sup> |



## SERIES 350 BACKFLUSH VALVES <sup>(N)</sup>

| Item Number  | Model Number  | Valve Size | Valve Application                             | Connections |       |       | Price Each |
|--------------|---------------|------------|---|-------------|-------|-------|------------|
|              |               |            |   | In          | Out   | Flush |            |
| 71000-012780 | 61BFG2TP      | 2"         | 2" Compact LP Disc-Kleen and 2" LP Disc-Kleen | 2" GR       | 2" TH | 2" TH | 964.00     |
| 71000-013360 | 61BFG3PB      | 3"         | 3" LP Disc-Kleen and Angle Apollo Disc-Kleen  | 3" GR       | 3" GR | 2" TH | 1,022.00   |
| 71000-013430 | 61BFG4GPB     | 4"         | 48" AGF Media & Single Chamber                | 4" GR       | 4" GR | 4" GR | 1,283.00   |
| 71000-013440 | 61BFG4GPGB-DM | 4"         | Apollo Disc-Kleen                             | 4" GR       | 4" GR | 3" TH | 1,626.00   |



## PLASLITE® BACKFLUSH VALVES <sup>(N)</sup>

| Item Number  | Model Number | Valve Size | Valve Application                             | Connections |       |       | Price Each |
|--------------|--------------|------------|---|-------------|-------|-------|------------|
|              |              |            |   | In          | Out   | Flush |            |
| 71600-006750 | 61BFG3PSK    | 3"         | 3" Disc-Kleen Batteries                       | 3" GR       | 3" GR | 2" TH | 1,106.00   |
| 71600-006720 | 61BFG3GP     | 3"         | 3" Angle Filter Batteries and 30" Epoxy Media | 3" GR       | 3" GR | 2" TH | 1,033.00   |
| 71600-006865 | 61BFG4GP     | 4"         | 48" AGF                                       | 4" GR       | 4" GR | 4" GR | 1,843.00   |
| 71600-006855 | 61BFG4GPG-DM | 4"         | Apollo Disc-Kleen                             | 4" GR       | 4" GR | 3" TH | 1,843.00   |



## IRON BACKFLUSH VALVES <sup>(N)</sup>

| Item Number  | Model Number | Valve Size | Valve Application            | Connections |       |       | Price Each |
|--------------|--------------|------------|------------------------------|-------------|-------|-------|------------|
|              |              |            |                              | In          | Out   | Flush |            |
| 71610-008000 | 61BFG2GT98   | 2"         | 16", 20" and 24" Epoxy Media | 2" GR       | 2" TH | 2" Th | 936.00     |
| 71600-006526 | 61BFG3GBLK   | 3"         | 30" and 36" Epoxy Media      | 3" GR       | 3" GR | 2" TH | 1,002.00   |
| 71600-006670 | 61BFG3GBLU   | 3"         | 30" and 36" Sandstorm        | 3" GR       | 3" GR | 2" TH | 763.00     |
| 71600-006660 | 61BFG4GBLU   | 4"         | 48" Sandstorm                | 4" GR       | 4" GR | 3" GR | 1,396.00   |



GR = Grooved or Victaulic connection  
TH = Threaded connection

## BACKFLUSH VALVE REPLACEMENT PARTS

Visit [www.netafimusa.com](http://www.netafimusa.com) for backflush valve replacement parts ordering information

# VALVES



**24VAC**  
(WIRE LEADS/PLASTIC BASE)



**24VAC**  
(HUB/BRASS BASE)



**24VAC**  
(HUB/SST BASE)



**12VDC**  
(WIRE LEADS/BRASS BASE)



**12VDC**  
(WIRE LEADS/PLASTIC BASE)

## NORMALLY OPEN SOLENOIDS

(N)

| Item Number  | Model Number   | Connection | Base Material | Voltage | Used with Valve Sizes | Max. Oper. Press. (psi) | Power (watt) | Price Each |
|--------------|----------------|------------|---------------|---------|-----------------------|-------------------------|--------------|------------|
| 71640-006980 | 61NET          | Wire Leads |               | 24VAC   |                       |                         | 2.2          | 130.00     |
| 71640-007076 | 61NETR         | Wire Leads | Plastic       | 24VAC   | 4" and Smaller        | 145                     | 2.9          | 138.00     |
| 71640-006990 | 61NET-24VDC    | Wire Leads |               | 24VDC   |                       |                         | 2.9          | 143.00     |
| 70800-007800 | 61BSHO-012-W   | Wire Leads | SST 304       | 12VDC   | 6" and Larger         | 230                     | 10           | 262.00     |
| 70800-007650 | 61BSHO-024-H   | Hub 1/2"   |               | 24VAC   |                       |                         | 8            | 262.00     |
| 70800-007450 | 61BSHO-024-W   | Wire Leads | SST 304       | 24VAC   | 6" and Larger         | 230                     | 8            | 262.00     |
| 70800-007700 | 61BSHO-120-H   | Hub 1/2"   |               | 120VAC  |                       |                         | 8            | 262.00     |
| 70800-007760 | 61BSHO-120-W   | Wire Leads | SST 304       | 120VAC  | 6" and Larger         | 230                     | 8            | 262.00     |
| 70800-007350 | 61BSHO-024-H5  | Hub 1/2"   |               | 24VAC   |                       |                         | 5.5          | 262.00     |
| 70800-007550 | 61BSHO-024-W5  | Wire Leads | SST 304       | 24VAC   | 6" and Larger         | 210                     | 5.5          | 262.00     |
| 70800-007250 | 61BSHO-024DC-H | Hub 1/2"   |               | 24VDC   |                       |                         | 5.5          | 262.00     |

## NORMALLY CLOSED SOLENOIDS

(N)

| Item Number  | Model Number   | Connection | Base Material | Voltage | Used with Valve Sizes | Max. Oper. Press. (psi) | Power (watt) | Price Each |
|--------------|----------------|------------|---------------|---------|-----------------------|-------------------------|--------------|------------|
| 71640-007090 | 61NETNC        | Wire Leads | Plastic       | 24VAC   | 4" and Smaller        | 145                     | 2.2          | 130.00     |
| 70800-002910 | 61BBC-012      | Hub 1/2"   |               | 12VDC   |                       |                         | 10           | 267.00     |
| 70800-003260 | 61BBC-024      | Hub 1/2"   | Brass         | 24VAC   | 6" and Larger         | 110                     | 8            | 262.00     |
| 70800-007790 | 61BBC-120      | Hub 1/2"   |               | 120VAC  | All PSNO Sizes        |                         | 8            | 262.00     |
| 70800-007100 | 61BSHC-012-W   | Wire Leads |               | 12VDC   |                       |                         | 10           | 262.00     |
| 70800-007400 | 61BSHC-024-H   | Hub 1/2"   | SST 304       | 24VAC   | 6" and Larger         | 230                     | 8            | 262.00     |
| 70800-007420 | 61BSHC-024-W   | Wire Leads | SST304        | 24VAC   | 6" and Larger         | 230                     | 8            | 262.00     |
| 70800-007600 | 61BSHC-120-H   | Hub 1/2"   |               | 120VAC  |                       |                         | 8            | 262.00     |
| 70800-007300 | 61BSHC-024-H5  | Hub 1/2"   |               | 24VAC   |                       |                         | 5.5          | 262.00     |
| 70800-007500 | 61BSHC-024-W5  | Wire Leads | SST 304       | 24VAC   | 6" and Larger         | 210                     | 5.5          | 262.00     |
| 70800-007200 | 61BSHC-024DC-H | Hub 1/2"   |               | 24VDC   |                       |                         | 5.5          | 262.00     |

## DC LATCHING SOLENOIDS

(N)

| Item Number  | Model Number   | Description       | Connection | Base Material | Used with Valve Sizes                | Max. Oper. Press. (psi) | Price Each |
|--------------|----------------|-------------------|------------|---------------|--------------------------------------|-------------------------|------------|
| 70800-001215 | 61NETNO-L      | 9-12VDC<br>2-Wire | Wire Leads | Plastic       | 4" and Smaller                       | 145                     | 197.00     |
| 70800-004967 | 61BLO-012-H-MO | 12VDC<br>2-Wire   | Hub 1/2"   | Brass         | 6" and Larger<br>All Backflush Sizes | 145                     | 418.00     |
| 71000-019400 | 61ARK12VDCL-MO | 12VDC<br>2-Wire   | Wire Leads | Plastic       | 6" and Larger<br>All Backflush Sizes | 145                     | 369.00     |

# VALVES

## AQUATIVE SOLENOIDS

| Item Number  | Model Number | Description                        | Voltage | Price Each |
|--------------|--------------|------------------------------------|---------|------------|
| 35500-001320 | 61AQTVAC1    | Aquative Solenoid with Bracket     | 24VAC   | 123.00     |
| 35500-002020 | 61AQTVDCL1   | Aquative Solenoid with Bracket     | 12VDCL  | 117.00     |
| 35500-002120 | 61AQTVDCL2   | Aquative Solenoid (2) with Bracket | 12VDCL  | 243.00     |



## COILS FOR AC AND DC SOLENOIDS

| Item Number  | Model Number  | Connection | Voltage | Power (watt) | Price Each |
|--------------|---------------|------------|---------|--------------|------------|
| 70800-002920 | 61BKCL-12H    | Hub 1/2"   | 12VDC   | 10           | 103.00     |
| 70800-002930 | 61BKCL-12W    | Wire Leads |         |              | 103.00     |
| 70800-003720 | 61BKCL-120H8  | Hub 1/2"   | 120VAC  |              | 103.00     |
| 70800-003270 | 61BKCL-24H8   | Hub 1/2"   | 24VAC   | 8            | 104.00     |
| 70800-003280 | 61BKCL-24W8   | Wire Leads | 24VAC   |              | 103.00     |
| 70800-003285 | 61BKCL-120W8  | Wire Leads | 120VAC  |              | 103.00     |
| 70800-002670 | 61BKCL-24H5   | Hub 1/2"   | 24VAC   | 5.5          | 103.00     |
| 70800-002680 | 61BKCL-24W5   | Wire Leads |         |              | 103.00     |
| 71640-007120 | 61NTCL3-24V   | Wire Leads | 24VAC   | 2.2          | 100.00     |
| 71640-007130 | 61NTCL3-24V-C | Wire Leads |         |              | 100.00     |
| 71640-007137 | 61NTCLR-24V   | Wire Leads | 24VAC   | 2.9          | 110.00     |
| 71680-018350 | 61BASE-3W     | Base Only  | -       | -            | 68.00      |



## COILS FOR DC LATCHING SOLENOIDS

| Item Number  | Model Number | Connection | Voltage | Inrush (amp) | Holding (amp) | Price Each |
|--------------|--------------|------------|---------|--------------|---------------|------------|
| 70800-004950 | 61BKCL-DCL   | Hub        | 12VDC   | 4700 mf      | 13.5          | 110.00     |

## ACTUATORS (COILS) FOR 2-WAY VALVES

| Item Number  | Model Number | Description                          | Voltage | Price Each |
|--------------|--------------|--------------------------------------|---------|------------|
| 71680-018370 | 61SDD2-L     | 2-Way Actuator Latching - Wire Leads | 12VDC   | 64.00      |
| 71640-007020 | 61SDD2-12VDC | 2-Way Actuator - Wire Leads          | 12VDC   | 63.00      |
| 71640-007140 | 61SDD2-24V   | 2-Way Actuator - Wire Leads          | 24VAC   | 45.00      |
| 71640-007141 | 61SDD2-24VDC | 2-Way Actuator - Wire Leads          | 24VDC   | 45.00      |
| 70800-000002 | 61SDD2-120V  | 2-Way Actuator Normally Closed - Hub | 110VAC  | 108.00     |

## BATTERY OPERATED CONTROL 3-WAY VALVES

Includes Battery Operated Aqua Pro Single Valve Controller and 12VDC Latching Aquative Solenoid

| Valve Type    | Function Code | 1"     | 1 1/2" | 2"     | 323    | 3"       | 3" PVC Threaded | 3" PVC Slip | 4"       | 4" PVC Slip | 6"       | 6" PVC Slip |
|---------------|---------------|--------|--------|--------|--------|----------|-----------------|-------------|----------|-------------|----------|-------------|
| Nylon         | ELC           | 427.00 | 496.00 | 515.00 | 547.00 | -        | -               | -           | -        | -           | -        | -           |
| PVC           | ELC           | -      | -      | -      | -      | -        | 883.00          | 833.00      | -        | 1,188.00    | -        | 2,712.00    |
| Iron Flanged  | ELC           | -      | -      | -      | -      | 979.00   | -               | -           | 1,501.00 | -           | 3,068.00 | -           |
| Iron Grooved  | ELC           | -      | -      | 664.00 | 776.00 | 1,127.00 | -               | -           | 1,464.00 | -           | 2,999.00 | -           |
| Iron Threaded | ELC           | -      | -      | 695.00 | 776.00 | 1,127.00 | -               | -           | -        | -           | -        | -           |

Refer to the Battery Operated Control Valves Technical Sheet for Ordering Guide and Examples.

# VALVES



2950



PLASTIC



BRASS



RELAY -  
ACCELERATOR



RELAY -  
SHASTOMIT

## PILOTS AND RELAYS

(N)

| Item Number   | Model Number | Description   | Model | Port Size | Valve Size       | Price Each |
|---------------|--------------|---|-------|-----------|------------------|------------|
| <b>PILOTS</b> |              |   |       |           |                  |            |
| 71680-051268  | 61PIL2950MY  | 2950 Multi Pilot Yellow Spring  | 2950  | 1/8"      | 1 1/2" to 8"     | 353.00     |
| 71680-051269  | 61PIL2950MG  | 2950 Multi Pilot Green Spring   | 2950  | 1/8"      | 1 1/2" to 8"     | 353.00     |
| 71680-051270  | 61PIL2950MR  | 2950 Multi Pilot Red Spring   | 2950  | 1/8"      | 1 1/2" to 8"     | 353.00     |
| -             | 61PIL29100-X | Pressure Reducing - Plastic Black   | 29100 | 1/8"      | 1" to 4"         | 310.00     |
| -             | 61PIL29200-X | Pressure Sustaining - Plastic Blue  | 29200 | 1/8"      | 1" to 4"         | 353.00     |
| -             | 61PIL31310-X | Pressure Reducing and Sustaining - Brass  | 31310 | 1/4"      | 6" to 24"        | 930.00     |
| -             | 61PIL66310-X | Quick Reacting  | 66300 | 1/2"      | 3" to 24"        | 1,209.00   |
| -             | 61PIL68200-X | Quick Reacting - Brass  | 68200 | 1/4"      | 2" Only          | 905.00     |
| 71680-001500  | 61PIL68410   | 2-Way Pressure Reducing - Brass   | 68400 | 1/4"      | 1" to 4"         | 583.00     |
| 71680-001263  | 61PILCXPR    | 2-Way Pressure Reducing - Brass, Built-in Needle Valve                                      | CXPR  | 1/4"      | 6" & Larger      | 1,307.00   |
| 71680-001230  | 61PIL68500-G | 2-Way Pressure Sustaining - Brass, Built-in Needle Valve                                    | 68500 | 1/4"      | 1" to 4"         | 833.00     |
| 71680-001265  | 61PILCXPS    | 2-Way Pressure Sustaining, Surge Anticipating, Quick Relief<br>Brass, Built-in Needle Valve | CXPS  | 1/4"      | 6" & Larger Iron | 1,307.00   |
| 71680-001517  | 61PIL70550   | Differential Float  | 70550 | 1/8"      | 1" to 24"        | 1,924.00   |
| 71680-001530  | 61PIL76200   | Pressure Differential - Brass   | 76200 | 1/4"      | 6" to 24"        | 1,038.00   |
| <b>RELAYS</b> |              |   |       |           |                  |            |
| 71680-000790  | 61PIL25300   | Hydraulic Relay Accelerator, Plastic  | 25300 | 1/8"      | > 6"             | 229.00     |
| 70220-001800  | 61SHASTOMIT  | Hydraulic Relay, Shastomit, Plastic   | -     | 1/8"      | All RC Valves    | 111.00     |
| 73220-001900  | 61GALIT      | Hydraulic Relay, Galit, Plastic   | -     | 1/8"      | All RC Valves    | 212.00     |
| 71680-001370  | 61PIL66210   | Accelerator Relay - Brass   | 66210 | 1/2"      | 6" to 24"        | 757.00     |
| 71680-000960  | 61PIL28200   | Accelerator Relay - Brass   | 28200 | 1/2"      | 6" to 24"        | 258.00     |

Substitute X for proper spring color - see Ordering Guidelines Chart for options.

## PILOT SPRINGS

(N)

| Item Number  | Model Number | Used with Pilot Model | Spring Color | Price Each |
|--------------|--------------|-----------------------|--------------|------------|
| 71680-010800 | 61SPP2072    |                       | Y - Yellow   | 37.00      |
| 71680-010850 | 61SPP2054    | 29100, 29200          | G - Green    | 37.00      |
| 71680-010700 | 61SPP2065    |                       | R - Red      | 45.00      |
| 71680-010600 | 61SPP2042    |                       | Y - Yellow   | 56.00      |
| 71680-010550 | 61SPP2047    | 31310, 66310, 68710   | G - Green    | 56.00      |
| 71680-010500 | 61SPP2050    |                       | R - Red      | 74.00      |
| 71680-010810 | 61SPP2086    |                       | Y - Yellow   | 56.00      |
| 71680-011100 | 61SPP2058    |                       | G - Green    | 56.00      |
| 71680-011000 | 61SPP2063    | 68410, 68500          | R - Red      | 38.00      |

## PILOT DIAPHRAGM KITS

(N)

| Item Number  | Model Number | Description             | Pilot Model | Price Each |
|--------------|--------------|-------------------------|-------------|------------|
| 71680-001027 | 61KIT29100-C | Comprehensive Parts Kit | 29100       | 80.00      |
| 71680-001030 | 61KIT29200   | Pilot Repair Kit        | 29200       | 85.00      |
| 71680-001225 | 61KIT31310   | Pilot Repair Kit        | 31310       | 180.00     |
| 71680-001355 | 61KIT68200   | Pilot Repair Kit        | 68200       | 133.00     |
| 71680-001571 | 61KIT68410   | Pilot Repair Kit        | 68410       | 251.00     |
| 71680-001455 | 61KIT68500   | Pilot Repair Kit        | 68500       | 180.00     |



# VALVES



(N)

## DIAPHRAGMS

| Item Number               | Model Number    | Description  | Diaphragm # | Pressure | Dimensions        | Price Each |
|---------------------------|-----------------|--|-------------|----------|-------------------|------------|
| DIAPHRAGMS (2-Way Valves) |                 |  |             |          |                   |            |
| <b>Series 75</b>          |                 |  |             |          |                   |            |
| 71680-006150              | 61DIA1PL2W      | 3/4" - 1" Standard - Nylon 2-Way Throttling Valves Kit | 25          | 15-115   | 74.4mm / 2.93inch | \$37.00    |
| 71680-006200              | 61DIA2PL2W      | 1 1/2, 2" & 323 Standard - Nylon 2-Way Valves Kit      | 21          | 7-145    | 121mm / 4.76inch  | \$45.00    |
| Series 80                 |                 |  |             |          |                   |            |
| 71680-006165              | 61DIA1PL-S80    | 3/4" - 1" Standard Diaphragm Kit - S80                 | 241         | 7-145    | 55.5mm / 2.19inch | \$48.00    |
| 71680-006175              | 61S806671820H00 | 1-1/2" - 2" Standard Diaphragm Kit - S80               | 231         | 7-145    | 100mm / 3.94inch  | \$56.00    |
| DIAPHRAGMS (3-Way Valves) |                 |  |             |          |                   |            |
| <b>Series 75</b>          |                 |  |             |          |                   |            |
| 71680-007045              | 61DIA1PL        | 3/4" & 1" Low Pressure - Nylon 3-Way Valves Kit        | 164         | 9-145    | 74.4mm / 2.93inch | \$21.00    |
| 71680-006170              | 61DIA2PL        | 1 1/2, 2", 323 Standard - Nylon 3-Way Valves Kit       | 22          | 7 - 145  | 121mm / 4.76inch  | \$44.00    |
| 71680-006272              | 61DIA2PL-LP     | 1 1/2, 2", 323 Low Pressure - Nylon 3-Way Valves       | 229         | 5 - 72   | 121mm / 4.76inch  | \$84.00    |
| 71680-006360              | 61DIA3PLN       | 3" Standard - Nylon 3-Way Valve                        | 330         | 7 - 145  | 228mm / 8.97inch  | \$55.00    |
| 71680-000229              | 61DIA4PL        | 4" - 6" Standard - Nylon 3-Way Valve                   | 370         | 7 - 175  | 234mm / 9.21inch  | \$106.00   |
| <b>Series 90</b>          |                 |  |             |          |                   |            |
| 71680-007660              | 61DIA34PL       | 3", 4" Standard - PVC Valves                           | 95          | 8 - 145  | 228mm / 8.97inch  | \$153.00   |
| 71680-007670              | 61DIA6PL        | 6" (Requires 2) Standard - PVC Valves                  | 52          | 8 - 145  | 260mm / 10.24inch | \$176.00   |
| <b>Series 100</b>         |                 |  |             |          |                   |            |
| 71680-007050              | 61DIA1LP        | 3/4" & 1" Low Pressure - Iron Valves                   | 85          | 7-145    | 68mm / 2.68inch   | \$25.00    |
| 71680-006900              | 61DIA1C         | 3/4" & 1" Standard - Iron Valves                       | 18          | 17-230   | 68mm / 2.68inch   | \$25.00    |
| 71680-007200              | 61DIA1.5LP      | 1 1/2" Super Low Pressure - Iron Valves                | 82          | 7-70     | 95mm / 3.74inch   | \$38.00    |
| 71680-007100              | 61DIA1.5HP      | 1 1/2" Standard - Iron Valves                          | 13          | 17-230   | 95mm / 3.74inch   | \$38.00    |
| 71680-006271              | 61DIA2SLP       | 2", 2" Angle & 323 Super Low Pressure - Iron Valves    | 12          | 6-70     | 118mm / 4.65inch  | \$46.00    |
| 71680-007400              | 61DIA2LP        | 2", 2" Angle & 323 Low Pressure - Iron Valves          | 2           | 10-145   | 118mm / 4.65inch  | \$40.00    |
| 71680-007300              | 61DIA2HP        | 2", 2" Angle & 323 Standard - Iron Valves              | 3           | 21-230   | 118mm / 4.65inch  | \$41.00    |
| 71680-006400              | 61DIA34LP       | 3", 4" & 4" Angle Low Pressure - Iron Valves           | 5           | 6-145    | 203mm / 7.99inch  | \$72.00    |
| 71680-006300              | 61DIA34HP       | 3", 4" & 4" Angle Standard - Iron Valves               | 32          | 17-230   | 200mm / 7.87inch  | \$153.00   |
| 71680-006620              | 61DIA6SLP#91    | 6" & 868 Super Low Pressure - Iron Valves              | 91          | 3-70     | 295mm / 11.61inch | \$348.00   |
| 71680-006600              | 61DIA6LP        | 6" & 868 Low Pressure - Iron Valves                    | 9           | 7-145    | 295mm / 11.61inch | \$260.00   |
| 71680-006520              | 61DIA6HP        | 6" & 858 Standard - Iron Valves                        | 62          | 28-230   | 295mm / 11.61inch | \$466.00   |
| 71680-006860              | 61DIA8LP        | 8" & 12" (Requires 2) Low Pressure - Iron Valves       | 37          | 3-70     | 370mm / 14.57inch | \$578.00   |
| 71680-006850              | 61DIA8HP        | 8" & 12" (Requires 2) Standard - Iron Valves           | 36          | 10-230   | 370mm / 14.57inch | \$830.00   |
| 71680-006820              | 61DIA10LP       | 10" Low Pressure - Iron Valves                         | 50          | 3-70     | 438mm / 17.24inch | \$1,012.00 |
| 71680-006800              | 61DIA10HP       | 10" Standard - Iron Valves                             | 40          | 10-230   | 438mm / 17.24inch | \$1,128.00 |

## DIAPHRAGM SPRINGS

(N)

| Item Number  | Model Number | Valve Type  | Valve Size                     | Price Each |
|--------------|--------------|-------------|--------------------------------|------------|
| 71680-008400 | 61SP2T       | Nylon       | 1 1/2", 2", 323                | 38.00      |
| 71680-008100 | 61SP34       | PVC         | 3", 4"                         | 41.00      |
| 71680-008190 | 61SP6PL      |             | 6" (Requires 2)                | 72.00      |
| 71680-008000 | 61SP2        | Bronze/Iron | 1 1/2", 2", 323                | 38.00      |
| 71680-008100 | 61SP34       | Iron        | 3", 4"                         | 41.00      |
| 71680-008200 | 61SP6        |             | 6", 868                        | 153.00     |
| 71680-008300 | 61SP810      |             | 8", 10", 12", (12" Requires 2) | 549.00     |



## SPRING SEATS

(N)

| Item Number  | Model Number | Valve Type  | Valve Size                | Price Each |
|--------------|--------------|-------------|---------------------------|------------|
| 71680-009010 | 61SPSEAT2PT  | Nylon       | 1 1/2", 2", 323           | 12.00      |
| 71680-008700 | 61SPSEAT23   | Bronze/Iron | 1 1/2", 2", 323           | 3.30       |
| 71680-008900 | 61SPSEAT34   | Iron/PVC    | 3", 4"                    | 6.70       |
| 71680-008990 | 61SPSEAT6PL  | PVC         | 6" (Requires 2)           | 51.00      |
| 71680-009000 | 61SPSEAT6    | Iron        | 6", 868                   | 11.00      |
| 71680-008995 | 61SPSEAT812  |             | 10", 12" (12" Requires 2) | 158.00     |



# VALVES



## ACCESSORIES

(N)

| Key | Item Number  | Model Number | Description                  | Valve Size  | Part Size            | Price Each                               |
|-----|--------------|--------------|------------------------------|-------------|----------------------|--|
| 1   | 71680-014170 | 61SF25P      | Plastic Finger Filter        | 1" - 4"     | 1/4" x 1/8"          | 25.00                                    |
| 2   | 71680-014000 | 61SF25SB     | Brass Finger Filter          | 1" - 4"     | 1/4" x 1/4"          | 84.00                                    |
|     | 71680-014160 | 61SF25B      | Brass Finger Filter          | 1" - 4"     | 1/4" x 1/8"          | 84.00                                    |
| 3   | 71680-014100 | 61SF5        | Cleanable Finger Filter      | 6" and up   | 1/2"                 | 109.00                                   |
| 4   | 71610-035900 | 62SV21/4M    | 3-Way Selector Valve         | 1 1/2" - 4" | 1/8" x 1/4" Male     | 65.00                                    |
|     | 71610-036100 | 62SV41/4M    | 3-Way Selector Valve         | 6" and up   | 1/4" x 1/4" Male     | 128.00                                   |
| 5   | 71680-032000 | 61SV1/8BR    | Pressure Selector Tee Brass  | 1" - 4"     | 1/4" (Shuttle Valve) | 128.00                                   |
|     | 71680-032050 | 61SV1/4BR    | Pressure Selector Tee Brass  | 6" and up   |                      | 128.00                                   |
| 6   | 71610-041000 | 61NVSS25E    | Stainless Steel Needle Valve | All         | 1/4" SS              | 306.00                                   |
| 7   | 77500-004700 | 61NV1/4      | Needle Valve                 | All         | 1/4" Brass           | 92.00                                    |
| 8   | 71610-035600 | 62SBV25      | Ball Valve Brass             | 6" and up   | 1/4" M x F           | 46.00                                    |
|     | 76601-001080 | 62SBV50      | Ball Valve Brass             | -           | 1/2" M x F           | 59.00                                    |
|     | 71610-035700 | 62SBV75      | Ball Valve Brass             | -           | 3/4" M x F           | 59.00                                    |
|     | 76601-001400 | 62SBV100F    | Ball Valve Brass             | -           | 1" M x F             | 86.00                                    |
| 9   | 76601-001050 | 61APS1/8     | Shrader Valve                | All         | 1/8"                 | 7.20                                     |
| 10  | 00110-001750 | 6809020-30   | Pressure Gauge 0-30 psi      | All         | 1/4"                 | 91.00                                    |
|     | 00110-001790 | 6809020-100  | Pressure Gauge 0-100 psi     |             |                      | 91.00                                    |
|     | 00110-001810 | 6809020-160  | Pressure Gauge 0-160 psi     |             |                      | 91.00                                    |
| 11  | 76340-001050 | 15CONT-6     | Control Tubing (1000' roll)  | 1" - 4"     | 1/4" (6 mm)          | 150.00                                   |
|     | 40001-000103 | 15CONT6C100  | Control Tubing (100' roll)   |             |                      | 24.70                                    |
|     | 40001-000102 | 15CONT6C50   | Control Tubing (50' roll)    |             |                      | 16.50                                    |
|     | 40001-000101 | 15CONT6C10   | Control Tubing (10' roll)    |             |                      | 11.20                                    |
| 11  | 40001-000400 | 15CONT-8     | Control Tubing (1000' roll)  |             |                      | Hydraulic remote control valve / filters |
|     | 40001-000383 | 15CONT8C100  | Control Tubing (100' roll)   | 33.30       |                      |  |
|     | 40001-000382 | 15CONT8C50   | Control Tubing (50' roll)    | 19.00       |                      |  |
|     | 40001-000381 | 15CONT8C10   | Control Tubing (10' roll)    | 12.40       |                      |  |
| -   | 76601-000900 | 61CV25       | Brass Check Valve 1/4"       | -           | -                    | 62.00                                    |
| -   | 77540-005270 | 61CV50       | Brass Check Valve 1/2"       | -           | -                    | 46.00                                    |

## QUICK COUPLING VALVE

(N)

| Item Number  | Model Number | Description                     | Price Each |
|--------------|--------------|---------------------------------|------------|
| 75070-001000 | 593039075    | 3/4" Quick Coupling Valve       | 46.00      |
| 75070-001150 | 593139075    | 3/4" Quick Coupling Valve Riser | 18.00      |



# VALVES



## PLASTIC FITTINGS

(N)

| Key | Item Number  | Model Number | Description        | Size               | Bag Qty | Price Per Bag |
|-----|--------------|--------------|--------------------|--------------------|---------|---------------|
| 1   | 76400-001710 | 55P4684602-B | Male Connector     | 6 mm x 1/8"        | 10      | 39.30         |
|     | 76400-001910 | 55P4684604-B |                    | 6 mm x 1/4"        | 10      | 39.30         |
|     | 76400-002110 | 55P4684802-B |                    | 8 mm x 1/8"        | 10      | 39.30         |
|     | 76400-002310 | 55P4684804-B |                    | 8 mm x 1/4"        | 10      | 39.30         |
| 2   | 76400-001810 | 55P4664602-B | Female Connector   | 6 mm x 1/8"        | 10      | 54.10         |
|     | 76400-002010 | 55P4664604-B |                    | 6 mm x 1/4"        | 10      | 54.10         |
|     | 76400-002210 | 55P4664802-B |                    | 8 mm x 1/8"        | 10      | 54.10         |
|     | 76400-002405 | 55P4664804-B |                    | 8 mm x 1/4"        | 10      | 54.10         |
| 3   | 76400-001110 | 55P4624600-B | Union Connector    | 6 mm x 6 mm        | 10      | 61.50         |
|     | 76400-001310 | 55P4624800-B | Union Connector    | 8 mm x 8 mm        | 10      | 62.60         |
| 4   | 76400-001210 | 55P4564846-B | Reducing Connector | 8 mm x 6 mm        | 10      | 62.60         |
| 5   | 76400-002910 | 55P4694602-B | Male 90° Elbow     | 6 mm x 1/8"        | 10      | 56.20         |
|     | 76400-003010 | 55P4694604-B |                    | 6 mm x 1/4"        | 10      | 55.20         |
|     | 76400-003410 | 55P4694802-B |                    | 8 mm x 1/8"        | 10      | 59.40         |
|     | 76400-003503 | 55P4694804-B |                    | 8 mm x 1/4"        | 10      | 59.40         |
| 6   | 76400-004210 | 55P4714602-B | Male Branch Tee    | 6 mm x 6 mm x 1/8" | 10      | 74.20         |
|     | 76400-004310 | 55P4714604-B |                    | 6 mm x 6 mm x 1/4" | 10      | 74.20         |
|     | 76400-004410 | 55P4714802-B |                    | 8 mm x 8 mm x 1/8" | 10      | 67.90         |
|     | 76400-004505 | 55P4714804-B |                    | 8 mm x 8 mm x 1/4" | 10      | 75.30         |
| 7   | 76400-004355 | 55P4724602-B | Male Run Tee       | 6 mm x 6 mm x 1/8" | 10      | 78.50         |
|     | 76400-004555 | 55P4724802-B |                    | 8 mm x 8 mm x 1/8" | 10      | 78.50         |
|     | 76400-004565 | 55P4724804-B |                    | 8 mm x 8 mm x 1/4" | 10      | 74.20         |



## BRASS PRESTOLOK FITTINGS

(N)

| Key | Item Number  | Model Number | Description       | Size               | Price Each |
|-----|--------------|--------------|-------------------|--------------------|------------|
| 1   | 78301-005300 | 55B68PL42    | Male Connector    | 1/4" Tube x 1/8"   | 8.70       |
|     | 78301-005400 | 55B68PL44    |                   | 1/4" Tube x 1/4"   | 11.00      |
|     | 78301-005600 | 55B68PL64    |                   | 3/8" Tube x 1/4"   | 16.00      |
| 2   | 78301-001400 | 55B169PL42   | Swivel Elbow      | 1/4" Tube x 1/8"   | 9.30       |
|     | 78301-001500 | 55B169PL62   |                   | 3/8" Tube x 1/8"   | 19.00      |
|     | 78301-001600 | 55B169PL64   |                   | 3/8" Tube x 1/4"   | 19.00      |
| 3   | 78301-001800 | 55B169PLNS44 | Male Elbow        | 1/4" Tube x 1/4"   | 13.00      |
|     | 78301-001900 | 55B169PLNS64 |                   | 3/8" Tube x 1/4"   | 19.00      |
|     | 78301-001920 | 55B169PLNS68 |                   | 3/8" Tube x 1/2"   | 28.00      |
| 4   | 78301-002800 | 55B171PL42   | Male Run Tee      | 1/4" Tube x 1/8"   | 16.00      |
|     | 78301-002900 | 55B171PL64   |                   | 3/8" Tube x 1/4"   | 35.00      |
| 5   | 78301-003100 | 55B172PL42   | Branch Swivel Tee | 1/4" Tube x 1/8"   | 19.00      |
| 6   | 78301-002400 | 55B2224P4    | Male Branch Tee   | 1/4" Tube x 1/4" F | 17.00      |
|     | 78301-002500 | 55B2225P4    | Street Tee        | 1/4" M x 1/4" F    | 23.00      |
| 7   | 78301-003300 | 55B209P42    | Bushing           | 1/4" M x 1/8" F    | 3.50       |
|     | 78301-003600 | 55B209P84    |                   | 1/2" M x 1/4" F    | 8.30       |
| -   | 71680-018450 | 55BNB4040    | Nylon Tubing      | 1/4"               | 3.00       |
| -   | 71680-018460 | 55BNB6050    | Nylon Tubing      | 3/8"               | 4.50       |

# VALVES



# AIR VENTS & PRESSURE REGULATORS

|  |     |
|--|-----|
| Dynamic Air Release Air Vent .....                             | 134 |
| Pro Air Vent .....   | 134 |
| Combination Air/Vacuum/Continuous Acting Air Vents .....       | 134 |
| Combination Air/Vacuum Guard/Continuous Acting Air Vents ..... | 134 |
| Automatic Continuous Acting Air Vents .....                    | 135 |
| Automatic Continuous Acting Vacuum Guard Air Vents .....       | 135 |
| Guardian Air/Vacuum Air Vents .....                            | 135 |
| Guardian Air/Vacuum Air Vents with Shrader Valve .....         | 135 |
| Air Vent Parts .....   | 135 |
| Pressure Regulators .....                                      | 136 |
| Pressure Regulating Units .....                                | 137 |

# AIR VENTS & PRESSURE REGULATORS

## DYNAMIC AIR RELEASE AIR VENT <sup>(N)</sup>

| Item Number  | Model Number | Size   | Body  | Base  | Max. Oper. Pressure (psi) | Price Each |
|--------------|--------------|--------|-------|-------|---------------------------|------------|
| 70561-001735 | 65ARIDY2     | 2" MPT | Nylon | Nylon | 150                       | 402.00     |
| 70561-001760 | 65ARIDY3     | 3" MPT | Nylon | Nylon | 150                       | 452.00     |



## PRO AIR VENT COMBINATION AIR/VACUUM AND CONTINUOUS ACTING AIR VENT <sup>(N)</sup>

| Item Number  | Model Number | Size   | Body  | Base  | Max. Oper. Pressure (psi) | Qty Per Carton | Price Each | Carton Price Each |
|--------------|--------------|--------|-------|-------|---------------------------|----------------|------------|-------------------|
| 70561-001725 | 65ARIB2PRO   | 2" FPT | Nylon | Nylon | 150                       | 12             | 152.00     | 155.00            |



## COMBINATION AIR/VACUUM AND CONTINUOUS ACTING AIR VENTS <sup>(N)</sup>

| Item Number  | Model Number | Size   | Body  | Base  | Max. Oper. Pressure (psi) | Qty Per Carton | Price Each | Carton Price Each |
|--------------|--------------|--------|-------|-------|---------------------------|----------------|------------|-------------------|
| 70561-000800 | AV-COMBO-050 | 1/2"   | Nylon | Nylon | 150                       | -              | 67.00      | -                 |
| 70561-001250 | 65ARIB1-150  | 1" MPT | Nylon | Nylon | 150                       | 6              | 131.00     | 122.00            |
| 70561-001240 | 65ARIB1      | 1" MPT | Nylon | Nylon | 250                       | 6              | 206.00     | 193.00            |
| 70561-001245 | 65ARIB1-B    | 1" MPT | Nylon | Brass | 250                       | 6              | 235.00     | 218.00            |
| 70561-001680 | 65ARIB2      | 2" MPT | Nylon | Nylon | 250                       | 6              | 355.00     | 331.00            |
| 70561-001670 | 65ARIB2-B    | 2" MPT | Nylon | Brass | 250                       | 6              | 502.00     | 468.00            |
| 70561-001660 | 65ARIB2PP    | 2" MPT | PP    | PP    | 150                       | 6              | 256.00     | 228.00            |
| 70561-001520 | 65ARIB2-BPP  | 2" MPT | PP    | Brass | 150                       | 6              | 398.00     | 364.00            |
| 70561-001320 | 65ARIB2VM    | 2" MPT | Nylon | Nylon | 240                       | -              | 536.00     | -                 |

# AIR VENTS & PRESSURE REGULATORS

## AUTOMATIC CONTINUOUS ACTING AIR VENTS <sup>(N)</sup>

| Item Number  | Model Number | Size     | Body  | Base  | Max. Oper. Pressure (psi) | Qty Per Carton | Price Each | Carton Price Each |
|--------------|--------------|----------|-------|-------|---------------------------|----------------|------------|-------------------|
| 70561-003610 | 65ARIS075    | 3/4" MPT | Nylon | Nylon | 240                       | 6              | 178.00     | 162.00            |
| 70561-003930 | 65ARIS1      | 1" MPT   | Nylon | Nylon | 240                       | 6              | 178.00     | 162.00            |



3/4" & 1"

## AUTOMATIC CONTINUOUS ACTING VACUUM GUARD AIR VENTS <sup>(N)</sup>

| Item Number  | Model Number | Size     | Body  | Base  | Max. Oper. Pressure (psi) | Price Each |
|--------------|--------------|----------|-------|-------|---------------------------|------------|
| 70561-004200 | 65ARIS075VM  | 3/4" MPT | Nylon | Nylon | 240                       | 211.00     |
| 70561-004150 | 65ARIS1VM    | 1" MPT   | Nylon | Nylon | 240                       | 211.00     |



3/4" & 1"

## GUARDIAN AIR/VACUUM AIR VENTS <sup>(N)</sup>

| Item Number  | Model Number | Size     | Body  | Max. Oper. Pressure (psi) | Qty Per Carton | Price Each | Carton Price Each |
|--------------|--------------|----------|-------|---------------------------|----------------|------------|-------------------|
| 70561-002950 | 65ARIA075    | 3/4" MPT | Nylon | 150                       | 24             | 56.00      | 53.00             |
| 70561-002610 | 65ARIA100    | 1" MPT   |       |                           | 24             | 56.00      | 53.00             |
| 70561-002710 | 65ARIA2      | 2" FPT   | Nylon | 150                       | 12             | 74.00      | 69.00             |
| 70561-002820 | 65ARIA3      | 3" FPT   |       |                           | 6              | 208.00     | 193.00            |



3/4" & 1"



2" & 3"

## GUARDIAN AIR/VACUUM AIR VENTS WITH SHRADER VALVE <sup>(N)</sup>

| Item Number  | Model Number | Size     | Body  | Max. Oper. Pressure (psi) | Qty Per Carton | Price Each | Carton Price Each |
|--------------|--------------|----------|-------|---------------------------|----------------|------------|-------------------|
| 70561-000860 | 65ARIA075S   | 3/4" MPT | Nylon | 150                       | 24             | 69.00      | 66.00             |
| 70561-004820 | 65ARIA100S   | 1" MPT   | Nylon | 150                       | 24             | 69.00      | 66.00             |



3/4" & 1"

## AIR VENT PARTS <sup>(N)</sup>

| Item Number  | Model Number       | Description                              | Price Each |
|--------------|--------------------|--|------------|
| 70500-001300 | 65ARIB2-RS         | Rolling Seal for 2" Combination Air Vent | 56.00      |
| 70500-001350 | 65ARIB2-OB         | Base O-Ring for 2" Combination Air Vent  | 31.00      |
| 70500-002910 | 65ARIB2PRO-FLOAT   | Float Assembly for 2" Pro Air Vent       | 101.00     |
| 70500-002920 | 65ARIB2PRO-FLTLOCK | Float Lock for 2" Pro Air Vent           | 13.00      |

# AIR VENTS & PRESSURE REGULATORS

## 3/4" LOW FLOW PRESSURE REGULATORS (N)

| Item Number  | Model Number    | Flow Range (GPM) | Nominal Output Pressure (psi) | Regulating Units | Price Each |
|--------------|-----------------|------------------|-------------------------------|------------------|------------|
| 31000-001000 | 32PRV.75-LF15V2 | .25 - 4.4        | 15                            | -                | 16.00      |
| 31000-001120 | 32PRV.75-LF20V2 |                  | 20                            |                  | 16.00      |
| 31000-001160 | 32PRV.75-LF25V2 | .25 - 4.4        | 25                            | -                | 16.00      |
| 31000-001200 | 32PRV.75-LF35V2 |                  | 35                            |                  | 16.00      |
| 31000-001400 | 32PRV.75-LF42V2 |                  | 42                            |                  | 16.00      |



## 3/4" PRESSURE REGULATORS (N)

| Item Number  | Model Number   | Flow Range (GPM) | Nominal Output Pressure (psi) | Regulating Units | Price Each |
|--------------|----------------|------------------|-------------------------------|------------------|------------|
| 30500-001000 | 32PRV.75-09V2K | 4.5 - 17.6       | 9                             | 1                | 27.00      |
| 30500-001100 | 32PRV.75-12V2K |                  | 12                            |                  | 27.00      |
| 30500-001200 | 32PRV.75-15V2K |                  | 15                            |                  | 27.00      |
| 30500-001300 | 32PRV.75-20V2K |                  | 20                            |                  | 27.00      |
| 30500-001400 | 32PRV.75-25V2K |                  | 25                            |                  | 27.00      |
| 30500-001500 | 32PRV.75-30V2K | 4.5 - 17.6       | 30                            | 1                | 27.00      |
| 30500-001600 | 32PRV.75-35V2K |                  | 35                            |                  | 27.00      |
| 30500-001700 | 32PRV.75-43V2K |                  | 43                            |                  | 27.00      |
| 30500-001800 | 32PRV.75-50V2K |                  | 50                            |                  | 27.00      |
| 30500-002000 | 32PRV.75-65V2K |                  | 65                            |                  | 27.00      |



## 1 1/2" PRESSURE REGULATORS (N)

| Item Number  | Model Number   | Flow Range (GPM) | Nominal Output Pressure (psi) | Regulating Units | Price Each |
|--------------|----------------|------------------|-------------------------------|------------------|------------|
| 30520-001000 | 32PRV1.5-09V2K | 11 - 35          | 9                             | 2                | 65.00      |
| 30520-001100 | 32PRV1.5-12V2K |                  | 12                            |                  | 65.00      |
| 30520-001200 | 32PRV1.5-15V2K |                  | 15                            |                  | 65.00      |
| 30520-001300 | 32PRV1.5-20V2K |                  | 20                            |                  | 65.00      |
| 30520-001400 | 32PRV1.5-25V2K |                  | 25                            |                  | 65.00      |
| 30520-001500 | 32PRV1.5-30V2K | 11 - 35          | 30                            | 2                | 65.00      |
| 30520-001600 | 32PRV1.5-35V2K |                  | 35                            |                  | 65.00      |
| 30520-001700 | 32PRV1.5-43V2K |                  | 43                            |                  | 65.00      |
| 30520-001800 | 32PRV1.5-50V2K |                  | 50                            |                  | 65.00      |
| 30520-001900 | 32PRV1.5-57V2K |                  | 57                            |                  | 65.00      |
| 30520-002000 | 32PRV1.5-65V2K |                  | 65                            |                  | 65.00      |





# AIR VENTS & PRESSURE REGULATORS

## 2" PRESSURE REGULATORS <sup>(N)</sup>

| Item Number  | Model Number    | Flow Range (GPM) | Nominal Output Pressure (psi) | Regulating Units | Price Each |
|--------------|-----------------|------------------|-------------------------------|------------------|------------|
| 30540-000950 | 32PRV2-409V2KPL |                  | 9                             |                  | 149.00     |
| 30540-000951 | 32PRV2-412V2KPL |                  | 12                            |                  | 149.00     |
| 30540-000952 | 32PRV2-415V2KPL |                  | 15                            |                  | 149.00     |
| 30540-000953 | 32PRV2-420V2KPL |                  | 20                            |                  | 149.00     |
| 30540-000954 | 32PRV2-425V2KPL | 22 - 70          | 25                            | 4                | 149.00     |
| 30540-000955 | 32PRV2-430V2KPL |                  | 30                            |                  | 149.00     |
| 30540-000956 | 32PRV2-435V2KPL |                  | 35                            |                  | 149.00     |
| 30540-000957 | 32PRV2-443V2KPL |                  | 43                            |                  | 149.00     |
| 30540-000958 | 32PRV2-450V2KPL |                  | 50                            |                  | 149.00     |
| 30540-000959 | 32PRV2-457V2KPL |                  | 57                            |                  | 149.00     |
| 30540-000960 | 32PRV2-465V2KPL |                  | 65                            |                  | 149.00     |
| 30560-002100 | 32PRV2-609V2K   |                  | 9                             |                  | 342.00     |
| 30560-002200 | 32PRV2-612V2K   |                  | 12                            |                  | 342.00     |
| 30560-002300 | 32PRV2-615V2K   |                  | 15                            |                  | 342.00     |
| 30560-002400 | 32PRV2-620V2K   |                  | 20                            |                  | 342.00     |
| 30560-002500 | 32PRV2-625V2K   | 33 - 105.6       | 25                            | 6                | 342.00     |
| 30560-002600 | 32PRV2-630V2K   |                  | 30                            |                  | 342.00     |
| 30560-002700 | 32PRV2-635V2K   |                  | 35                            |                  | 342.00     |
| 30560-002800 | 32PRV2-643V2K   |                  | 43                            |                  | 342.00     |
| 30560-002900 | 32PRV2-650V2K   |                  | 50                            |                  | 342.00     |
| 30560-003000 | 32PRV2-657V2K   |                  | 57                            |                  | 342.00     |
| 30560-003100 | 32PRV2-665V2K   |                  | 65                            |                  | 342.00     |



## 3" PRESSURE REGULATORS <sup>(N)</sup>

| Item Number  | Model Number   | Flow Range (GPM) | Nominal Output Pressure (psi) | Regulating Units | Price Each |
|--------------|----------------|------------------|-------------------------------|------------------|------------|
| 30580-002100 | 32PRV3-1009V2K |                  | 9                             |                  | 623.00     |
| 30580-002200 | 32PRV3-1012V2K |                  | 12                            |                  | 623.00     |
| 30580-002300 | 32PRV3-1015V2K | 35 - 175         | 15                            | 10               | 623.00     |
| 30580-002400 | 32PRV3-1020V2K |                  | 20                            |                  | 623.00     |
| 30580-002500 | 32PRV3-1025V2K |                  | 25                            |                  | 623.00     |
| 30580-002600 | 32PRV3-1030V2K |                  | 30                            |                  | 623.00     |
| 30580-002700 | 32PRV3-1035V2K |                  | 35                            |                  | 623.00     |
| 30580-002800 | 32PRV3-1043V2K | 35 - 175         | 43                            | 10               | 623.00     |
| 30580-002900 | 32PRV3-1050V2K |                  | 50                            |                  | 623.00     |
| 30580-003000 | 32PRV3-1057V2K |                  | 57                            |                  | 623.00     |
| 30580-003100 | 32PRV3-1065V2K |                  | 65                            |                  | 623.00     |



## PRESSURE REGULATING UNITS <sup>(N)</sup>

| Item Number  | Model Number | Nominal Output Pressure (psi) | Price Each |
|--------------|--------------|-------------------------------|------------|
| 31500-001000 | 32PRVU-09V2K | 9                             | 21.00      |
| 31500-001100 | 32PRVU-12V2K | 12                            | 21.00      |
| 31500-001200 | 32PRVU-15V2K | 15                            | 21.00      |
| 31500-001300 | 32PRVU-20V2K | 20                            | 21.00      |
| 31500-001400 | 32PRVU-25V2K | 25                            | 21.00      |
| 31500-001500 | 32PRVU-30V2K | 30                            | 21.00      |
| 31500-001600 | 32PRVU-35V2K | 35                            | 21.00      |
| 31500-001700 | 32PRVU-43V2K | 43                            | 21.00      |
| 31500-001800 | 32PRVU-50V2K | 50                            | 21.00      |
| 31500-001900 | 32PRVU-57V2K | 57                            | 21.00      |
| 31500-002000 | 32PRVU-65V2K | 65                            | 21.00      |



**NOTE:** Maximum Operating Pressure for all models is 145 psi.

**NOTE:** Maximum Operating Pressure for all models is 145 psi.

# AIR VENTS & PRESSURE REGULATORS



# WATER METERS

|   |     |
|---|-----|
| 'M', 'MP', 'WMR' Water Meters .....           | 140 |
| Replacement Parts - 'M', 'MP' and 'WMR' ..... | 141 |
| 'IRT' Water Meters .....                      | 142 |
| Replacement Parts - 'IRT' .....               | 143 |
| 'WST' Water Meters .....                      | 144 |
| Replacement Parts - 'WST' .....               | 145 |
| Octave Ultrasonic Water Meter .....           | 146 |
| Replacement Parts - Octave .....              | 147 |
| Fertilizer Meter .....                        | 148 |
| Fertilizer Injectors .....                    | 148 |
| Hydrometers .....                             | 149 |
| Hydrometer Control Options .....              | 150 |
| Hydrometer Replacement Registers .....        | 151 |
| Hydrometer Parts                              |     |
| 1 1/2" and 2" Sizes .....                     | 152 |
| 3" and 4" Sizes .....                         | 153 |
| 6" Size .....                                 | 154 |
| 8" Size .....                                 | 155 |
| Solenoids .....                               | 157 |
| Pilots .....                                  | 157 |
| Pilot Springs .....                           | 157 |
| Fittings .....                                | 158 |
| Accessories .....                             | 159 |

# WATER METERS

## HOW TO READ WATER METER MODEL NUMBERS - FOR MECHANICAL METERS

| 36 MODEL | SIZE   | OUTPUT REGISTER | UNITS (TOTAL-FLOW)  | PULSE | OPTION                                   |
|----------|--------|-----------------|---------------------|-------|--|
| SM       | XX.XX* | R = REED SWITCH | A = Acre Feet - GPM | .0001 | R = Register Only                        |
| FM       | .75    | P = PHOTO DIODE | G = Gallons - GPM   | .01   | XXXXX = Hydrometer Function**            |
| M        | 1      | E = ELECTRONIC  | L = M3 - L/S        | .1    | M = Manual, C = Manual Copper            |
| MP       | 1.5    |                 | M = M3 - M3/H       | 1     | A = 24vAC, D = 12VDC, L = Latch Solenoid |
| WMR      | 2      |                 |                     | 10    | O = Normally Open, C = Normally Closed   |
| IRT      | 3      |                 |                     | 100   | R = Pres. Reducing, S = Pres. Sustaining |
| WST      | 4      |                 |                     |       | Y = Yellow, G = Green, R = Red Spring    |
| H        | 6      |                 |                     |       |  |
|          | 8      |                 |                     |       |  |
|          | 10     |                 |                     |       |  |
|          | 12     |                 |                     |       |  |

\*XX.XX = Saddle Meter Pipe ID  
 \*\* See individual product pages for options.  
 Note: All ER's to ship with output cable

**NOTE:**  
 Model Numbers - 18 character limit  
 No Leading Zero's (0) - Example: 0.1 = .1, 002 =2  
 No Dashes



**'M' WATER METER**  
(COPPER ALLOY BODY)



**'MP' WATER METER**  
(PLASTIC BODY)



**'WMR' WATER METER**

## 'M', 'MP' & 'WMR' WATER METERS - WITH REED SWITCH, PHOTO DIODE AND ELECTRONIC REGISTERS

(N)

| Item Number  | Model Number   | Size    | Register    | Units (Vol. - Flow) | Pulse Rate (Vol./Pulse) | Minum Flow (GPM) | Maximum Flow (GPM) | Connection | Price Each |
|--------------|----------------|---------|-------------|---------------------|-------------------------|------------------|--------------------|------------|------------|
| 70261-002445 | 36M.75RG.1     |         | Reed Switch | USG                 | .1                      |                  |                    |            | 265.00     |
| 70261-002450 | 36M.75RG1      | 3/4"    | Reed Switch | USG                 | 1                       |                  |                    | Male       | 265.00     |
| 70261-002447 | 36M.75PG.0015  | Metal   | Photo Diode | USG                 | .0015                   | .9               | 14                 | Thread     | 422.00     |
| 70261-002422 | 36M.75EG.01    |         | Electronic  | USG-GPM             | .01 & .1                |                  |                    |            | 1,035.00   |
| 70261-002446 | 36MP.75RG.1    |         | Reed Switch | USG                 | .1                      |                  |                    |            | 215.00     |
| 70261-002448 | 36MP.75RG1     | 3/4"    | Reed Switch | USG                 | 1                       | .9               | 14                 | Male       | 215.00     |
| 70261-002473 | 36MP.75PG.0015 | Plastic | Photo Diode | USG                 | .0015                   |                  |                    | Thread     | 373.00     |
| 70261-002423 | 36MP.75EG.1    |         | Electronic  | USG-GPM             | .01 & .1                |                  |                    |            | 910.00     |
| 70261-002721 | 36M1RG.1       |         | Reed Switch | USG                 | .1                      |                  |                    |            | 441.00     |
| 70261-002720 | 36M1RG1        | 1"      | Reed Switch | USG                 | 1                       |                  |                    | Male       | 441.00     |
| 70261-002725 | 36M1PG.0021    | Metal   | Photo Diode | USG                 | .0021                   | 1.2              | 20                 | Thread     | 441.00     |
| 70261-002495 | 36M1EG.01      |         | Electronic  | USG-GPM             | .01 & .1                |                  |                    |            | 1,136.00   |
| 70261-002715 | 36MP1RG1       | 1"      | Reed Switch | USG                 | 1                       |                  |                    | Male       | 329.00     |
| 70261-002727 | 36MP1PG.0021   | Plastic | Photo Diode | USG                 | .0021                   | 1.2              | 20                 | Thread     | 524.00     |
| 70261-002431 | 36MP1EG.01     |         | Electronic  | USG-GPM             | .01 & .1                |                  |                    |            | 1,024.00   |
| 70261-003230 | 36M1.5RG1      | 1.5"    | Reed Switch | USG                 | 1                       |                  |                    | Male       | 879.00     |
| 70261-003240 | 36M1.5PG.0074  | Metal   | Photo Diode | USG                 | .0074                   | 3.5              | 55                 | Thread     | 1,008.00   |
| 70261-003271 | 36M1.5EG.05    |         | Electronic  | USG-GPM             | .01 & .1                |                  |                    |            | 1,651.00   |
| 70261-005060 | 36WMR2RG10     |         | Reed Switch | USG                 | 10                      |                  |                    |            | 860.00     |
| 70261-004900 | 36WMR2RA.00001 |         | Reed Switch | AF                  | .00001                  |                  |                    |            | 860.00     |
| 70261-005010 | 36WMR2PG.055   | 2"      | Photo Diode | USG                 | .055                    | 8.8              | 110                | Male       | 923.00     |
| 70261-005050 | 36WMR2PG1      | Metal   | Photo Diode | USG                 | 1                       |                  |                    | Thread     | 923.00     |
| 70261-004984 | 36WMR2EG.5     |         | Electronic  | USG-GPM             | .5 & 1                  |                  |                    |            | 1,554.00   |

For more options, visit our water meter configurator at [netafimusa.com/water-meter-configurator](http://netafimusa.com/water-meter-configurator).

# WATER METERS

## 'M', 'MP', 'WMR' WATER METER REPLACEMENT PARTS

3/4" & 1" REGISTERS ARE NOT REPLACEABLE

(N)

| Key | Item Number  | Model Number    | Description  | Price Each |
|-----|--------------|-----------------|--|------------|
| 1   | 70220-00042  | 36M.75COUPLERS  | M(P) .75" Coupler Set (2 Tail Pc, 2 Nut, 2 Gasket) | 53.00      |
|     | 70261-000840 | 36M1COUPLERS    | M(P) 1" Coupler Set (2 Tail Pc, 2 Nut, 2 Gasket)   | 67.00      |
|     | 70261-000880 | 36M1.5COUPLERS  | M 1.5" Coupler Set (2 Tail Pc, 2 Nut, 2 Gasket)    | 87.00      |
|     | 70261-000900 | 36WMR2COUPLERS  | WMR 2" Coupler Set (2 Tail Pc, 2 Nut, 2 Gasket)    | 112.00     |
| 2   | 70220-003900 | 36M.75GASKET    | M(P) .75" Coupler Gasket                           | 0.90       |
|     | 70220-004000 | 36M1GASKET      | M(P) 1" Coupler Gasket                             | 1.20       |
|     | 70220-004100 | 36M1.5GASKET    | M(P) 1.5" Coupler Gasket                           | 5.00       |
|     | 70220-004180 | 36WMR2GASKET    | WMR 2" Coupler Gasket                              | 6.50       |
| 3   | 70261-001100 | 36M1.5RG1R      | M 1.5" Reed Switch Register, USG, 1 USG/Pulse      | 318.00     |
|     | 70261-001075 | 36M1.5PG.0074R  | M 1.5" Photodiode Register, USG, .0074 USG/Pulse   | 391.00     |
|     | 70261-001121 | 36M1.5ERG.05-H  | M 1.5" ER, USG-GPM, .05 & .1 USG/Pulse             | 1,136.00   |
|     | 70261-001139 | 36WMR2RG1R      | WMR 2" Reed Switch Register, USG, 1 USG/Pulse      | 318.00     |
|     | 70261-001140 | 36WMR2RG10R     | WMR 2" Reed Switch Register, USG, 10 USG/Pulse     | 318.00     |
|     | 70261-001150 | 36WMR2RA.00001R | WMR 2" Reed Switch Register, AF, .00001 AF/Pulse   | 318.00     |
|     | 70261-001155 | 36WMR2PG.055R   | WMR 2" Photo Diode Register, USG, .055 USG/Pulse   | 391.00     |
|     | 70261-001198 | 36WMR2EG.5R     | WMR 2" ER, USG-GPM, .05 & .1 USG/Pulse             | 1,136.00   |
|     | 70261-001197 | 36WMR2EA.0001R  | WMR 2" ER, AF-GPM, .0001 & .001 AF/Pulse           | 1,136.00   |
| 4   | 70220-005300 | 36RSGREY        | Reed Switch Cable for Grey Magnets                 | 98.00      |
|     | 70220-005400 | 36RSBLUE        | Reed Switch Cable for Black, Red, Purple Magnets   | 105.00     |
|     | 70220-030000 | 36EROUTPUT      | ER Output Cable, Output 1 Red+Bk, Output 2 Grn+Bk  | 79.00      |

## REGISTER DUST COVERS

(N)

| Item Number  | Model Number     | Used With   | Price Each |
|--------------|------------------|---|------------|
| 70220-004220 | 36DUSTCOVER      | Dust Cover Only - Reed Switch and Photo Diode     | 27.00      |
| 70220-009370 | 3627631510       | Dust Cover Only - Digital                         | Call       |
| 70220-011650 | 33625824629      | Dust Cover Assembly - Reed Switch and Photo Diode | 42.00      |
| 70220-010660 | 36SMERHOUSINGKIT | Dust Cover Assembly - ER                          | Call       |



Reed Switch



Electronic Register



Photo Diode

# WATER METERS



## IRT WATER METERS - WITH REED SWITCH, PHOTO DIODE AND ELECTRONIC REGISTERS

(N)

| Item Number  | Model Number  | Size        | Register    | Units (Vol. - Flow) | Pulse Rate (Vol./Pulse) | Minum Flow (GPM) | Maximum Flow (GPM) | Connection | Price Each |
|--------------|---------------|-------------|-------------|---------------------|-------------------------|------------------|--------------------|------------|------------|
| 70261-009200 | 36IRT3RG10    | 3"<br>Iron  | Reed Switch | Gallons             | 10                      | 45               | 500                | Flange     | 1,266.00   |
| 70261-009100 | 36IRT3RA.0001 |             | Reed Switch | Acre Feet           | 0.0001                  |                  |                    |            | 1,266.00   |
| 70261-009128 | 36IRT3EG5     |             | Electronic  | USG-GPM             | 5 & 10                  |                  |                    |            | 1,924.00   |
| 70261-009126 | 36IRT3EA.0001 |             | Electronic  | AF-GPM              | .0001 & .001            |                  |                    |            | 1,924.00   |
| 70261-009500 | 36IRT4RG10    | 4"<br>Iron  | Reed Switch | Gallons             | 10                      | 50               | 688                | Flange     | 1,645.00   |
| 70261-009340 | 36IRT4RA.0001 |             | Reed Switch | Acre Feet           | .0001                   |                  |                    |            | 1,645.00   |
| 70261-009521 | 36IRT4EG10    |             | Electronic  | USG-GPM             | 10                      |                  |                    |            | 2,074.00   |
| 70261-009522 | 36IRT4EA.0001 |             | Electronic  | AF-GPM              | .0001 & .001            |                  |                    |            | 2,074.00   |
| 70261-009740 | 36IRT6RG100   | 6"<br>Iron  | Reed Switch | Gallons             | 100                     | 65               | 1,375              | Flange     | 2,358.00   |
| 70261-009720 | 36IRT6RA.0001 |             | Reed Switch | Acre Feet           | 0.0001                  |                  |                    |            | 2,358.00   |
| 70261-009648 | 36IRT6EG10    |             | Electronic  | USG-GPM             | 10 & 100                |                  |                    |            | 3,094.00   |
| 70261-009649 | 36IRT6EA.0001 |             | Electronic  | AF-GPM              | .0001 & .001            |                  |                    |            | 3,094.00   |
| 70261-009920 | 36IRT8RG100   | 8"<br>Iron  | Reed Switch | Gallons             | 100                     | 130              | 2,475              | Flange     | 3,055.00   |
| -            | 36IRT8RA.0001 |             | Reed Switch | Acre Feet           | 0.0001                  |                  |                    |            | 3,055.00   |
| 70261-009851 | 36IRT8ERG20   |             | Electronic  | USG-GPM             | 20 & 100                |                  |                    |            | 3,692.00   |
| -            | 36IRT8EA.0001 |             | Electronic  | AF-GPM              | .0001 & .001            |                  |                    |            | 3,692.00   |
| 70261-010000 | 36IRT10RG100  | 10"<br>Iron | Reed Switch | Gallons             | 100                     | 300              | 4,125              | Flange     | 4,586.00   |
| -            | 36IRT10RA.001 |             | Reed Switch | Acre Feet           | 0.001                   |                  |                    |            | 4,586.00   |
| 70261-010012 | 36IRT10EG100  |             | Electronic  | USG-GPM             | 50 & 100                |                  |                    |            | 5,331.00   |
| 70261-010010 | 36IRT10EA.001 |             | Electronic  | AF-GPM              | .001 & .01              |                  |                    |            | 5,331.00   |



Reed Switch



Electronic Register



Photo Diode

# WATER METERS

## 'IRT' WATER METER REPLACEMENT PARTS

(N)

| Key | Item Number  | Model Number       | Description  | Price Each |
|-----|--------------|--------------------|--|------------|
| 1   | 70220-005300 | 36RSGREY           | Reed Switch, Grey Magnets                          | 98.00      |
|     | 70220-030000 | 36EROUTPUT         | ER Pulse Output Cable RD+BLK, GRN+BLK              | 79.00      |
| 2   | 70220-004220 | 36DUSTCOVER        | Dust Cover for Register                            | 27.00      |
| 3   | 70220-011650 | 3625824629         | Dust Cover Assembly for Register                   | 50.00      |
| 4   | 70220-010610 | 36SLIDINGRING      | Sliding Ring Above Register                        | 3.40       |
| 5   | 70261-001230 | 36IRT3RG10R        | IRT 3" Reed Switch Register USG, 10 USG/Pulse      | 318.00     |
|     | 70261-001240 | 36IRT3RA.0001R     | IRT 3" Reed Switch Register AF, .0001 AF/Pulse     | 318.00     |
|     | 70261-001294 | 36IRT3EG10R        | IRT 3" ER, USG-GPM, 5 & 10 USG/Pulse               | 1,136.00   |
|     | 70261-001293 | 36IRT3EA.0001R     | IRT 3" ER, AF-GPM, .0001 & .001 AF/Pulse           | 1,136.00   |
|     | 70261-001300 | 36IRT4RG10R        | IRT 4" Reed Switch Register Gal, 10 Gal/Pulse      | 318.00     |
|     | 70261-001360 | 36IRT4RA.0001R     | IRT 4" Reed Switch Register AF, .0001 AF/Pulse     | 318.00     |
|     | 70261-001306 | 36IRT4EG10R        | IRT 4" ER, USG-GPM, 10 & 100 USG/Pulse             | 1,136.00   |
|     | 70261-001301 | 36IRT4EA.0001R     | IRT 4" ER, AF-GPM, .0001 & .001 AF/Pulse           | 1,136.00   |
|     | 70261-001440 | 36IRT6RG100R       | IRT 6" Reed Switch Register USG, 100 USG/Pulse     | 318.00     |
|     | 70261-001450 | 36IRT6RA.0001R     | IRT 6" Reed Switch Register AF, .0001 AF/Pulse     | 318.00     |
|     | 70261-001462 | 36IRT6EG10R        | IRT 6" ER, USG-GPM, 10 & 100 USG/Pulse             | 1,136.00   |
|     | 70261-001555 | 36IRT6EA.0001R     | IRT 6" ER, AF-GPM, .0001 & .001 AF/Pulse           | 1,136.00   |
|     | 70261-001555 | 36IRT8RG100R       | IRT 8" Reed Switch Register Gallons, 100 Gal/Pulse | 318.00     |
|     |              | 36IRT8RA.0001R     | IRT 8" Reed Switch Register AF, .0001 AF/Pulse     | 318.00     |
|     | 70261-001510 | 36IRT8EA.0001R     | IRT 8" ER, USG-GPM, 20 & 100 USG/Pulse             | 1,136.00   |
|     | 70261-001555 | 36IRT8EA.0001R     | IRT 8" ER, AF-GPM, .0001 & .001 AF/Pulse           | 1,136.00   |
|     | -            | 36IRT10RG100R      | IRT 10" Reed Switch Register USG, 100 USG/Pulse    | 318.00     |
|     | 70261-001557 | 36IRT10RA.001R     | IRT 10" Reed Switch Register AF, .001 AF/Pulse     | 318.00     |
|     | 70261-001622 | 36IRT10EG100R      | IRT 10" ER, USG-GPM, 50 & 100 USG/Pulse            | 1,136.00   |
|     | 70261-001623 | 36IRT10EA.0001R    | IRT 10" ER, AF-GPM, .0001 & .001 AF/Pulse          | 1,136.00   |
| 6   | -            | 36REGISTERORING    | O-Ring for Register                                | 5.70       |
| 7   | 70261-001624 | 36PRESSURERING     | Pressure Ring Below Register and Register O-Ring   | 4.60       |
| 8   | 70220-010550 | 36IRT3METERASSY    | IRT 3" Metering Assembly                           | 673.00     |
|     | 70220-010500 | 36IRT4METERASSY    | IRT 4" Metering Assembly                           | 775.00     |
|     | 70261-009000 | 36IRT6METERASSY    | IRT 6" Metering Assembly                           | 1,326.00   |
|     | 70261-009300 | 36IRT8METERASSY    | IRT 8" Metering Assembly                           | Call       |
|     | 70261-009600 | 36IRT10METERASSY   | IRT 10" Metering Assembly                          | Call       |
| 9   | -            | 36IRT3-4METERORING | IRT 3" / 4" Meter O-Ring (Between Assy and Body)   | Call       |
|     | -            | 36IRT6METERORING   | IRT 6" Meter O-Ring (Between Assy and Body)        | Call       |
|     | -            | 36IRT8METERORING   | IRT 8" Meter O-Ring (Between Assy and Body)        | Call       |
|     | -            | 36IRT10METERORING  | IRT 10" Meter O-Ring (Between Assy and Body)       | Call       |
| 9.1 | -            | 36IRTBOLT          | IRT 3" - 10" Metering Assembly Bolt (1)            | Call       |
| 10  | -            | 36IRT3BODY         | IRT 3" Body  | Call       |
|     | -            | 36IRT4BODY         | IRT 4" Body  | 843.00     |
|     | -            | 36IRT6BODY         | IRT 6" Body  | 1,129.00   |
|     | 70261-009305 | 36IRT8BODY         | IRT 8" Body  | Call       |
|     | 70261-009550 | 36IRT10BODY        | IRT 10" Body                                       | Call       |



# WATER METERS



## WST WATER METERS - WITH REED SWITCH, PHOTO DIODE AND ELECTRONIC REGISTERS

(N)

| Item Number  | Model Number   | Size | Register    | Units (Vol. - Flow) | Pulse Rate (Vol./Pulse) | Minum Flow (GPM) | Maximum Flow (GPM) | Connection | Price Each |
|--------------|----------------|------|-------------|---------------------|-------------------------|------------------|--------------------|------------|------------|
| 70261-010220 | 36WST3RG10     |      | Reed Switch | USG                 | 10                      |                  |                    |            | 1,447.00   |
| 70261-010230 | 36WST3RA.0001  | 3"   | Reed Switch | Acre Feet           | .0001                   | 4                | 660                | Flange     | 1,447.00   |
| 70261-010268 | 36WST3EG1      | Iron | Electronic  | USG-GPM             | 1 & 10                  |                  |                    |            | 2,030.00   |
| 70261-010272 | 36WST3EA.0001  |      | Electronic  | AF-GPM              | .0001 & .001            |                  |                    |            | 2,030.00   |
| 70261-010360 | 36WST4RG10     |      | Reed Switch | USG                 | 10                      |                  |                    |            | 1,846.00   |
| 70261-010370 | 36WST4RA.0001  | 4"   | Reed Switch | Acre Feet           | .0001                   | 6                | 1,266              | Flange     | 1,846.00   |
| 70261-010355 | 36WST4EG1      | Iron | Electronic  | USG-GPM             | 1 & 10                  |                  |                    |            | 2,653.00   |
| 70261-010352 | 36WST4EA.0001  |      | Electronic  | AF-GPM              | .0001 & .001            |                  |                    |            | 2,653.00   |
| 70261-010460 | 36WST6RG100    |      | Reed Switch | USG                 | 100                     |                  |                    |            | 2,915.00   |
| 70261-010450 | 36WST6RA.0001  | 6"   | Reed Switch | Acre Feet           | .0001                   | 15               | 1,431              | Flange     | 2,915.00   |
| 70261-010452 | 36WST6EG10     | Iron | Electronic  | USG-GPM             | 10 & 100                |                  |                    |            | 3,625.00   |
| 70261-010455 | 36WST6EA.0001  |      | Electronic  | AF-GPM              | .0001 & .001            |                  |                    |            | 3,625.00   |
| 70261-010600 | 36WST8RG100    |      | Reed Switch | USG                 | 100                     |                  |                    |            | 3,367.00   |
| 70261-010605 | 36WST8RA.0001  | 8"   | Reed Switch | Acre Feet           | .0001                   | 38               | 2,475              | Flange     | 3,367.00   |
| 70261-010622 | 36WST8EG10     | Iron | Electronic  | USG-GPM             | 10 & 100                |                  |                    |            | 4,086.00   |
| 70261-010621 | 36WST8EA.0001  |      | Electronic  | AF-GPM              | .0001 & .001            |                  |                    |            | 4,086.00   |
| 70261-010720 | 36WST10RG100   |      | Reed Switch | USG                 | 100                     |                  |                    |            | 4,890.00   |
| 70261-010670 | 36WST10RA.001  | 10"  | Reed Switch | Acre Feet           | .001                    | 44               | 4,125              | Flange     | 4,890.00   |
| 70261-010742 | 36WST10EG100   | Iron | Electronic  | USG-GPM             | 100 & 1000              |                  |                    |            | 5,531.00   |
| 70261-010740 | 36WST10EA.0001 |      | Electronic  | AF-GPM              | .0001 & .001            |                  |                    |            | 5,531.00   |
| 70261-010800 | 36WST12RG100   |      | Reed Switch | USG                 | 100                     |                  |                    |            | 5,814.00   |
| -            | 36WST12RA.001  | 12"  | Reed Switch | Acre Feet           | .001                    | 51               | 5,500              | Flange     | 5,814.00   |
| -            | 36WST12EG100   | Iron | Electronic  | USG-GPM             | 100 & 1000              |                  |                    |            | 6,433.00   |
| 70261-010761 | 36WST12EA.0002 |      | Electronic  | AF-GPM              | .0002 & .001            |                  |                    |            | 6,433.00   |



Reed Switch



Electronic Register



Photo Diode



# WATER METERS

## 'WST' WATER METER REPLACEMENT PARTS

(N)

| Key          | Item Number      | Model Number                                    | Description                                      | Price Each |
|--------------|------------------|---|--|------------|
| 1            | 70220-005300     | 36RSGREY  | Reed Switch Cable for Grey Magnets               | 98.00      |
|              | 70220-005400     | 36RSBLUE  | Reed Switch Cable for Black, Red, Purple Magnets | 105.00     |
|              | 70220-030000     | 36EROUTPUT                                      | ER Output Cable - Red, Green, Black Wires        | 79.00      |
| 2            | 70220-004220     | 36DUSTCOVER                                     | Register Dust Cover                              | 27.00      |
| 3            | 70220-011650     | 3625824629                                      | Register Dust Cover Assembly                     | 50.00      |
| 4            | 70220-010610     | 36SLIDINGRING                                   | Register Sliding Ring (Above Register)           | 3.40       |
| 5            | 70261-001275     | 36WST3RG10R                                     | WST 3" Reed Switch Register USG, 10 USG/Pulse    | 318.00     |
|              | 70261-001250     | 36WST3RA.0001R                                  | WST 3" Reed Switch Register AF, .0001 AF/Pulse   | 318.00     |
|              | 70261-001262     | 36WST3EG1R                                      | WST 3" ER USG-GPM, 1 & 10 USG/Pulse              | 1,136.00   |
|              | 70261-001266     | 36WST3EA.0001R                                  | WST 3" ER AF-GPM, .0001 & .001 AF/Pulse          | 1,136.00   |
|              | 70261-001365     | 36WST4RG10R                                     | WST 4" Reed Switch Register USG, 10 USG/Pulse    | 318.00     |
|              | 70261-001310     | 36WST4RA.0001R                                  | WST 4" Reed Switch Register AF, .0001 AF/Pulse   | 318.00     |
|              | 70261-001333     | 36WST4EG1R                                      | WST 4" ER USG-GPM, 1 & 10 USG/Pulse              | 1,136.00   |
|              | 70261-001328     | 36WST4EA.0001R                                  | WST 4" ER AF-GPM, .0001 & .001 AF/Pulse          | 1,136.00   |
|              | 70261-001485     | 36WST6RG100R                                    | WST 6" Reed Switch Register USG, 100 USG/Pulse   | 318.00     |
|              | 70261-001472     | 36WST6RA.0001R                                  | WST 6" Reed Switch Register AF, .0001 AF/Pulse   | 318.00     |
|              | -                | 36WST6EG10R                                     | WST 6" ER USG-GPM, 10 & 100 USG/Pulse            | 1,136.00   |
|              | -                | 36WST6EA.0001R                                  | WST 6" ER USG-GPM, .0001 & .001 AF/Pulse         | 1,136.00   |
|              | 70261-001590     | 36WST8RG100R                                    | WST 8" Reed Switch Register USG, 100 USG/Pulse   | 318.00     |
|              | 70261-001587     | 36WST8RA.0001R                                  | WST 8" Reed Switch Register AF, .0001 AF/Pulse   | 318.00     |
|              | 70261-001535     | 36WST8EG10R                                     | WST 8" ER USG-GPM, 10 & 100 USG/Pulse            | 1,136.00   |
|              | 70261-001437     | 36WST8EA.0001R                                  | WST 8" ER AF-GPM, .0001 & .001 AF/Pulse          | 1,136.00   |
|              | 70261-001620     | 36WST10RG100R                                   | WST 10" Reed Switch Register USG, 100 USG/Pulse  | 318.00     |
|              | 70261-001630     | 36WST10RA.0001R                                 | WST 10" Reed Switch Register AF, 0.0001 AF/Pulse | 318.00     |
|              | 70261-001633     | 36WST10EG100R                                   | WST 10" ER USG-GPM, 100 & 1000 USG/Pulse         | 1,136.00   |
|              | 70261-001581     | 36WST10EA.0001R                                 | WST 10" ER AF-GPM, .0001 & .001 AF/Pulse         | 1,136.00   |
| 70261-001710 | 36WST12RG100R    | WST 12" Reed Switch Register USG, 100 USG/Pulse | 318.00   |            |
| 70261-001720 | 36WT12-PH-AF     | WST 12" Reed Switch Register AF, 0.001 AF/Pulse | 318.00   |            |
| 70261-001631 | 36WST12EG100R    | WST 12" ER USG-GPM, 100 & 1000 USG/Pulse        | 1,136.00   |            |
| 70261-001743 | 36WST12EA.0002R  | WST 12" ER AF-GPM, .0002 & .001 AF/Pulse        | 1,136.00   |            |
| 6            | 70220-010550     | 36REGISTERORING                                 | Register O-Ring (Below Register)                 | 5.70       |
| 7            | 70220-010500     | 36PRESSURERING                                  | Register Pressure Ring (Below O-Ring & Register) | 4.60       |
| 8            | 70261-010200     | 36WST3METERASSY                                 | WST 3" Metering Assembly                         | 779.00     |
|              | 70261-010300     | 36WST4METERASSY                                 | WST 4" Metering Assembly                         | 982.00     |
|              | 70261-010400     | 36WST6METERASSY                                 | WST 6" Metering Assembly                         | 1,618.00   |
|              | 70261-010500     | 36WST8METERASSY                                 | WST 8" Metering Assembly                         | 1,953.00   |
|              | 70261-010640     | 36WST10METERASSY                                | WST 10" Metering Assembly                        | 3,379.00   |
| 70261-010645 | 36WST12METERASSY | WST 12" Metering Assembly                       | 3,942.00   |            |
| 9            | 70220-009750     | 36WST3-4METORING                                | WST 3" - 4" Meter O-Ring (Between Assy & Body)   | 4.80       |
|              | 70220-010340     | 36WST6-12METORING                               | WST 6" - 12" Meter O-Ring (Between Assy & Body)  | 19.00      |
| 10           | 70220-009852     | 36WST3-4BOLTDRLD                                | WST 3" - 4" Meter Assembly Bolt Drilled (1) +    | 19.00      |
|              | 70220-009856     | 36WST3-4BOLT                                    | WST 3" - 4" Meter Assembly Bolt (1)              | 6.50       |
|              | 70220-009854     | 36WST6-12BOLTDRLD                               | WST 6" - 12" Meter Assembly Bolt Drilled (1) +   | 24.00      |
|              | 70220-009858     | 36WST6-12BOLT                                   | WST 6" - 12" Meter Assembly Bolt (1)             | 10.00      |
| 11           | 70261-010285     | 36WST3BODY                                      | WST 3" Body (no bolts)                           | Call       |
|              | -                | 36WST4BODY                                      | WST 4" Body (no bolts)                           | Call       |
|              | 70261-010490     | 36WST6BODY                                      | WST 6" Body (no bolts)                           | 1,230.00   |
|              | 70261-010505     | 36WST8F-BODY                                    | WST 8" Body (no bolts)                           | 1,681.00   |
|              | -                | 36WST10BODY                                     | WST 10" Body (no bolts)                          | Call       |
| 70261-010508 | 36WT12F-BODY     | WST 12" Body (no bolts)                         | 2,665.00   |            |



+ To accommodate tamper-proof wire.

# WATER METERS

## HOW TO READ WATER METER MODEL NUMBERS

For Octave Ultrasonic Meters

| 36 | MODEL | SIZE | OUTPUT MODULE                                 | UNITS (TOTAL-FLOW)                     | PULSE |
|----|-------|------|---|--|-------|
|    | OCT   | 2    | N = None*                                     | A = Acre Feet - GPM                    | .0001 |
|    | OCS   | 3    | P = Pulse, Default, 2 Ch, Shared common       | B = Barrel - BPM                       | .01   |
|    |       | 4    | D = Pulse, Dry Contact, 2 Ch, Isolated common | F = Ft3 - GPM                          | .1    |
|    |       | 6    | S = Pulse, Solid State, 2 Ch, Isolated common | G = Usq - GPM                          | 1     |
|    |       | 8    | A = Analog, 4-20mA, 12 or 24vDC Loop powered  | I = Acre Inch - GPM                    | 10    |
|    |       | 10   | M = Modbus                                    | L = M <sup>3</sup> - L/S               | 100   |
|    |       | 12   |   | M = M <sup>3</sup> - M <sup>3</sup> /H | 1000  |
|    |       |      |   |  | **    |

\*If customer chooses 'NO OUTPUT', meter should still be programmed for optimal pulse in case they want to add a module later.

\*\* See individual product pages for options.

Note: All ER's to ship with output cable

**NOTE:**

Model Numbers - 18 character limit

No Leading Zero's (0) - Example: 0.1 = .1, 002 =2

No Dashes

## OCTAVE WATER METERS - CAST IRON BODY

| Size | No Output | Pulse Output | Special Output* |
|------|-----------|--------------|-----------------|
| 2"   | 3,120.00  | 3,428.00     | 3,600.00        |
| 3"   | 3,439.00  | 3,746.00     | 3,921.00        |
| 4"   | 4,560.00  | 4,865.00     | 5,038.00        |
| 6"   | 5,562.00  | 5,868.00     | 6,041.00        |
| 8"   | 6,178.00  | 6,486.00     | 6,657.00        |
| 10"  | 8,294.00  | 8,599.00     | 8,772.00        |
| 12"  | 13,132.00 | 13,439.00    | 13,611.00       |

(N)



**NOTE**

Pricing is the same for Gallons or Acre Feet Registers. All Octave Water Meters have Flanged Connections.

## OCTAVE ULTRASONIC WATER METERS

(N)

| Item Number  | Model Number   | Size | Output Model  | Units   | Output Signal         | Min-Max Flow | Material/Connection | Price Each |
|--------------|----------------|------|---------------|---------|-----------------------|--------------|---------------------|------------|
| 70261-000215 | 36OCT2NG       |      | None          | USG-GPM | .1 & 1 USG/Pulse      | .25-250 GPM  |                     | 3,120.00   |
| 70261-000220 | 36OCT2NA       |      | None          | AF-GPM  | .0001 & .001 AF/Pulse | .25-250 GPM  | Cast Iron           | 3,120.00   |
| 70261-000221 | 36OCT2NB       | 2"   | None          | BL-BPM  | .001 & .01 BL/Pulse   | .01-6 BPM    | Flange              | 3,120.00   |
| 70261-000201 | 36OCT2PG.1     |      | Pulse, NPN    | USG-GPM | .1 & 1 USG/Pulse      | .25-250 GPM  |                     | 3,428.00   |
| 70261-000207 | 36OCT2AG250GPM |      | Analog 4-20mA | USG-GPM | 20mA is 250 GPM       | .25-250 GPM  |                     | 3,600.00   |
| 70261-000260 | 36OCT3NG       |      | None          | USG-GPM | .1 & 1 USG/Pulse      | .5-400 GPM   |                     | 3,439.00   |
| 70261-000269 | 36OCT3NA       |      | None          | AF-GPM  | .0001 & .001 AF/Pulse | .5-400 GPM   | Cast Iron           | 3,439.00   |
| 70261-000277 | 36OCT3NB       | 3"   | None          | BL-BPM  | .001 & .01 BL/Pulse   | .02-10 BPM   | Flange              | 3,439.00   |
| 70261-000252 | 36OCT3PG.1     |      | Pulse, NPN    | USG-GPM | .1 & 1 USG/Pulse      | .5-400 GPM   |                     | 3,746.00   |
| 70261-000272 | 36OCT3PA.0001  |      | Pulse, NPN    | AF-GPM  | .0001 & .001 AF/Pulse | .5-400 GPM   |                     | 3,746.00   |
| 70261-000251 | 36OCT3AG400GPM |      | Analog 4-20mA | USG-GPM | 20mA is 400 GPM       | .75-650 GPM  |                     | 3,921.00   |
| 70261-000301 | 36OCT4NG       |      | None          | USG-GPM | .1 & 1 USG/Pulse      | .75-650 GPM  |                     | 4,560.00   |
| 70261-000320 | 36OCT4NA       |      | None          | AF-GPM  | .0001 & .001 AF/Pulse | .75-650 GPM  | Cast Iron           | 4,560.00   |
| 70261-000336 | 36OCT4NB       | 4"   | None          | BL-BPM  | .01 & .1 BL/Pulse     | .02-15 BPM   | Flange              | 4,560.00   |
| 70261-000307 | 36OCT4PG.1     |      | Pulse, NPN    | USG-GPM | .1 & 1 USG/Pulse      | .75-650 GPM  |                     | 4,865.00   |
| 70261-000305 | 36OCT4PG10     |      | Pulse, NPN    | USG-GPM | 10 & 100 USG/Pulse    | .75-650 GPM  |                     | 4,865.00   |
| 70261-000322 | 36OCT4PA.0001  |      | Pulse, NPN    | AF-GPM  | .0001 & .001 AF/Pulse | .75-650 GPM  |                     | 4,865.00   |
| 70261-000303 | 36OCT4AG650GPM |      | Analog 4-20mA | USG-GPM | 20mA is 650 GPM       | .75-650 GPM  |                     | 5,038.00   |

# WATER METERS

## OCTAVE ULTRASONIC WATER METERS

(N)

| Item Number  | Model Number   | Size       | Output Model | Units                 | Output Signal         | Min-Max Flow | Material/Connection | Price Each  |
|--------------|----------------|------------|--------------|-----------------------|-----------------------|--------------|---------------------|-------------|
| 70261-000390 | 360CT6NG       | 6"         | None         | USG-GPM               | .1 & 1 USG/Pulse      | 2-1500 GPM   | Cast Iron Flange    | 5,562.00    |
| 70261-000419 | 360CT6NA       |            | None         | AF-GPM                | .0001 & .001 AF/Pulse |              |                     | 5,562.00    |
| 70261-000391 | 360CT6NB       |            | None         | BL-BPM                | .01 & .1 BL/Pulse     | .05-36 BPM   |                     | 5,599.00    |
| 70261-000402 | 360CT6PG.1     |            | Pulse, NPN   | USG-GPM               | .1 & 1 USG/Pulse      | 5,868.00     |                     |             |
| 70261-000404 | 360CT6PG10     |            | Pulse, NPN   | USG-GPM               | 10 & 100 USG/Pulse    | 2-1500 GPM   |                     | 5,868.00    |
| 70261-000418 | 360CT6PA.0001  |            | Pulse, NPN   | AF-GPM                | .0001 & .001 AF/Pulse | 5,868.00     |                     |             |
| 70261-000551 | 360CT8NG       | 8"         | None         | USG-GPM               | 1 & 10 USG/Pulse      | 3.5-3000 GPM | Cast Iron Flange    | 6,178.00    |
| 70261-000591 | 360CT8NA       |            | None         | AF-GPM                | .0001 & .001 AF/Pulse |              |                     | 6,178.00    |
| 70261-000595 | 360CT8NB       |            | None         | BL-BPM                | .1 & 1 BL/Pulse       | .08-71 BPM   |                     | 6,178.00    |
| 70261-000461 | 360CT8PG10     |            | Pulse, NPN   | USG-GPM               | 10 & 100 USG/Pulse    | 6,486.00     |                     |             |
| 70261-000554 | 360CT8PA.0001  |            | Pulse, NPN   | AF-GPM                | .0001 & .001 AF/Pulse | 3.5-3000 GPM |                     | 6,486.00    |
| 70261-000504 | 360CT10NG      |            | None         | USG-GPM               | 1 & 10 USG/Pulse      | 8.8-5500 GPM |                     | 8,294.00    |
| 70261-000526 | 360CT10NA      | 10"        | None         | AF-GPM                | .0001 & .001 AF/Pulse | 8.8-5500 GPM | Cast Iron Flange    | 8,294.00    |
| 70261-000597 | 360CT10NB      |            | None         | BL-BPM                | .1 & 1 BL/Pulse       |              |                     | .21-131 BPM |
| 70261-000510 | 360CT10PG100   |            | Pulse, NPN   | USG-GPM               | 100 & 1000 USG/Pulse  | 8,599.00     |                     |             |
| 70261-000531 | 360CT10PA.0001 |            | Pulse, NPN   | AF-GPM                | .0001 & .001 AF/Pulse | 8.8-5500 GPM |                     | 8,599.00    |
| 70261-000471 | 360CT12NG      |            | None         | USG-GPM               | 1 & 10 USG/Pulse      | 13,132.00    |                     |             |
| 70261-000484 | 360CT12NA      |            | None         | AF-GPM                | .0001 & .001 AF/Pulse | 8.8-5500 GPM |                     | 13,132.00   |
| 70261-000455 | 360CT12PG100   | Pulse, NPN | USG-GPM      | 100 & 1000 USG/Pulse  | 13,439.00             |              |                     |             |
| 70261-000482 | 360CT12PA.0001 | Pulse, NPN | AF-GPM       | .0001 & .001 AF/Pulse | 13,439.00             |              |                     |             |

## OCTAVE WATER METER REPLACEMENT PARTS

(N)

| Key | Item Number  | Model Number     | Description   | Price Each |
|-----|--------------|------------------|---|------------|
| 1   | 70220-004216 | 360CTLID         | Octave Meter Lid  | 30.00      |
| 2   | 70220-011570 | 360CTOUTPUTCOVER | Octave Output Module Cover  | Call       |
|     | 70220-060400 | 360CTOUTPUTPUL   | Octave Output Module, Pulse, Default Option, 2 Ch, Shared Common      | 375.00     |
|     | 70220-060410 | 360CTOUTPUTSSR   | Octave Output Module, Pulse, Solid State Relay, 2 Ch, Isolated Common | 566.00     |
|     | 70220-002410 | 360CTOUTPUTDRY   | Octave Output Module, Pulse, Dry Contact Relay, 2 Ch, Isolated Common | 566.00     |
|     | 70220-011575 | 360CTOUTPUTANG   | Octave Output Module, Analog, 4-20 mA Loop Powered 12v or 24v DC      | 576.00     |
|     | 70240-014001 | 360CTOUTMODBUS   | Octave Output Module, Modbus  | 566.00     |
| 3   | 70220-000470 | 360CTNFCCOMMKIT  | NFC PROGRAMMING KIT   | 363.00     |
| 4   | 70261-000155 | 36TAMPERBOLT5/8  | TAMPER BOLT KIT 5/8 X 3.5 IN  | 51.00      |
|     | 70261-000150 | 36TAMPERBOLT3/4  | TAMPER BOLT KIT 3/4 X 4.5 IN  | 51.00      |
|     | -            | 36TAMPERBOLT7/8  | TAMPER BOLT KIT 7/8 X 5 IN  | Call       |

# WATER METERS

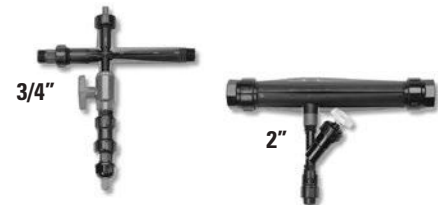
## FERTILIZER METERS

| Item Number  | Model Number | Size | Body Material | Minum Flow (GPM) | Maximum Flow (GPM) | Gallons/Pulse | Connection | Price Each |
|--------------|--------------|------|---------------|------------------|--------------------|---------------|------------|------------|
| 70261-011000 | 36FM.75RG.1  | 3/4" | Plastic       | 0.3              | 2.2                | 1.0           | Threaded   | 504.00     |
| 70261-011030 | 36FM.75RG1   |      |               |                  |                    |               |            | 504.00     |
| 70261-011300 | 36FM1RG1     | 1"   | PVC           | 1.8              | 44                 | 1.0           | Threaded   | 1,281.00   |



## FERTILIZER INJECTORS

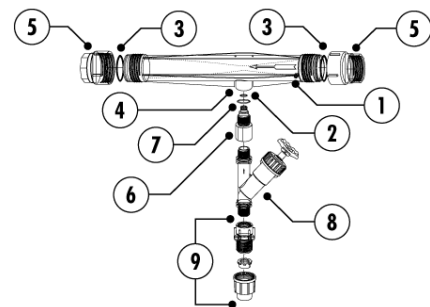
| Item Number  | Model Number | Size | Body Material | Connection | Price Each |
|--------------|--------------|------|---------------|------------|------------|
| 33000-001300 | 28VFPF75     | 3/4" | Plastic       | Threaded   | 291.00     |
| 33000-001400 | 28VFPD212N   | 2"   | Plastic       | Threaded   | 312.00     |



## 2" FERTILIZER METER PARTS

Non-stock, special order parts

| Key | Item Number  | Model Number | Description                | Price Each |
|-----|--------------|--------------|----------------------------|------------|
| 1   | 33020-005500 | 2822V38      | Bolt for Body              | 7.10       |
| 2   | 33020-006100 | 2822V45      | Viton O-Ring 0.15          | 34.00      |
| 3   | 33020-006200 | 2822V46      | O-Ring                     | 28.00      |
| 4   | 33020-006500 | 2822V50      | Diffuser                   | 167.00     |
| 5   | 33020-006700 | 2822V52      | Coupling                   | 71.00      |
| 6   | 33020-007300 | 2822V58      | Valve Stem Spindle         | 125.00     |
| 7   | 33020-007500 | 2822V60      | Viton O-Ring 813           | 26.00      |
| 8   | 33020-007550 | 2822V62      | 3/4" Check Valve/Shut Off  | 34.00      |
| 9   | 75040-006200 | 594026207    | Connector (20 mm x 3/4" F) | 3.30       |



# WATER METERS



## HYDROMETERS

(N)

| Item Number  | Model Number  | Size         | Register    | Units   | Pulse Rate | Min-Max Flow (GPM) | Connection        | Price Each |
|--------------|---------------|--------------|-------------|---------|------------|--------------------|-------------------|------------|
| 70261-014050 | 36H1.5RG1     | 1.5"<br>Iron | Reed Switch | Gallons | 1          | 4.4-55             | Male Thread Union | 1,508.00   |
| 70261-014060 | 36H1.5PG.0053 |              | Photo Diode | Gallons | 0.0053     |                    |                   | 1,575.00   |
| 70261-001102 | 36H1.5EG*     |              | Electronic  | USG-GPM | *          |                    |                   | 2,320.00   |
| 70261-014200 | 36H2RG1       | 2"<br>Iron   | Reed Switch | Gallons | 1          | 20-95              | Female Thread     | 1,508.00   |
| 70261-014215 | 36H2PG.0085   |              | Photo Diode | Gallons | 0.0085     |                    |                   | 1,846.00   |
| -            | 36HM2EG*      |              | Electronic  | USG-GPM | *          |                    |                   | 2,590.00   |
| 70261-014630 | 36H3RG1       | 3"<br>Iron   | Reed Switch | Gallons | 1          | 53-220             | Flange            | 2,302.00   |
| 70261-014640 | 36H3PG.0205   |              | Photo Diode | Gallons | 0.0205     |                    |                   | 2,372.00   |
| -            | 36H3EG*       |              | Electronic  | USG-GPM | *          |                    |                   | 3,115.00   |
| 70261-015105 | 36H4RG1       | 4"<br>Iron   | Reed Switch | Gallons | 1          | 79-380             | Flange            | 3,795.00   |
| 70261-015107 | 36H4PG.0566   |              | Photo Diode | Gallons | 0.0566     |                    |                   | 3,860.00   |
| -            | 36HM4EG*      |              | Electronic  | USG-GPM | *          |                    |                   | 4,603.00   |
| 70261-015550 | 36H6RG100     | 6"<br>Iron+  | Reed Switch | Gallons | 10         | 198-860            | Flange            | 7,010.00   |
| -            | 36HM6PG.1739  |              | Photo Diode | Gallons | 0.1739     |                    |                   | 7,078.00   |
| -            | 36HM6EG*      |              | Electronic  | USG-GPM | *          |                    |                   | 7,821.00   |
| 70261-015840 | 36H8RG10      | 8"<br>Iron+  | Reed Switch | Gallons | 10         | 357-1500           | Flange            | 9,978.00   |
| -            | 36HM8FG.3173  |              | Photo Diode | Gallons | 0.3173     |                    |                   | 10,050.00  |
| -            | 36HM8EG*      |              | Electronic  | USG-GPM | *          |                    |                   | 10,793.00  |



Reed Switch



Electronic Register



Photo Diode

# WATER METERS

## HYDROMETER CONTROL OPTIONS

(N)

| Function  | Function Code | 1.5" & 2"   |             |            | 3"          |             |            |
|---|---------------|-------------|-------------|------------|-------------|-------------|------------|
|   |               | Reed Switch | Photo Diode | Electronic | Reed Switch | Photo Diode | Electronic |
| Manual  | M             | 1,629.00    | 1,701.00    | 2,223.00   | 2,302.00    | 2,372.00    | 3,017.00   |
| Manual, 24VAC<br>Normally Closed Valve                        | MAC           | 1,806.00    | 1,881.00    | 2,387.00   | 2,446.00    | 2,537.00    | 3,182.00   |
| Manual, 24VAC<br>Normally Open Valve                          | MAO           |             |             |            |             |             |            |
| Manual,<br>Pressure Reducing                                  | MR(Y,G,R)     | 1,934.00    | 2,011.00    | 2,507.00   | 2,557.00    | 2,648.00    | 3,294.00   |
| Manual, 24VAC<br>Normally Closed Valve<br>Pressure Reducing   | MACR(Y,G,R)   | 2,121.00    | 2,193.00    | 2,679.00   | 2,759.00    | 2,827.00    | 3,475.00   |
| Manual, 24VAC<br>Normally Open Valve<br>Pressure Reducing     | MAOR(Y,G,R)   |             |             |            |             |             |            |
| Manual,<br>Pressure Sustaining                                | MS(Y,G,R)     | 2,004.00    | 2,084.00    | 2,571.00   | 2,653.00    | 2,723.00    | 3,370.00   |
| Manual, 24VAC<br>Normally Closed Valve<br>Pressure Sustaining | MACS(Y,G,R)   | 2,198.00    | 2,278.00    | 2,750.00   | 2,835.00    | 2,905.00    | 3,552.00   |
| Manual, 24VAC<br>Normally Open Valve<br>Pressure Sustaining   | MAOS(Y,G,R)   |             |             |            |             |             |            |

\*Yellow Pilot Spring 7 – 30 psi, Green Pilot Spring X – Y psi, Red Pilot Spring Y – Z psi.

## HYDROMETER CONTROL OPTIONS

(N)

| Function  | Function Code | 4"          |             |            | 6"          |             |            | 8"          |             |            |
|---|---------------|-------------|-------------|------------|-------------|-------------|------------|-------------|-------------|------------|
|   |               | Reed Switch | Photo Diode | Electronic | Reed Switch | Photo Diode | Electronic | Reed Switch | Photo Diode | Electronic |
| Manual  | M             | 3,795.00    | 3,860.00    | 4,509.00   | 7,078.00    | 7,151.00    | 7,794.00   | 9,978.00    | 10,050.00   | 10,694.00  |
| Manual, 24VAC<br>Normally Closed Valve                        | MAC           | 3,953.00    | 4,023.00    | 4,668.00   | 7,400.00    | 7,472.00    | 8,116.00   | 10,299.00   | 10,370.00   | 11,015.00  |
| Manual, 24VAC<br>Normally Open Valve                          | MAO           |             |             |            |             |             |            |             |             |            |
| Manual,<br>Pressure Reducing                                  | MR(Y,G,R)     | 4,070.00    | 4,138.00    | 4,785.00   | 8,031.00    | 8,102.00    | 8,746.00   | 10,930.00   | 10,997.00   | 11,664.00  |
| Manual, 24VAC<br>Normally Closed Valve<br>Pressure Reducing   | MACR(Y,G,R)   | 4,246.00    | 4,314.00    | 4,963.00   | 8,353.00    | 8,423.00    | 9,068.00   | 11,251.00   | 11,321.00   | 11,968.00  |
| Manual, 24VAC<br>Normally Open Valve<br>Pressure Reducing     | MAOR(Y,G,R)   |             |             |            |             |             |            |             |             |            |
| Manual,<br>Pressure Sustaining                                | MS(Y,G,R)     | 4,141.00    | 4,211.00    | 4,857.00   | 8,031.00    | 8,102.00    | 8,746.00   | 10,930.00   | 10,997.00   | 11,664.00  |
| Manual, 24VAC<br>Normally Closed Valve<br>Pressure Sustaining | MACS(Y,G,R)   | 4,320.00    | 4,393.00    | 5,035.00   | 8,353.00    | 8,423.00    | 9,068.00   | 11,252.00   | 11,321.00   | 11,968.00  |
| Manual, 24VAC<br>Normally Open Valve<br>Pressure Sustaining   | MAOS(Y,G,R)   |             |             |            |             |             |            |             |             |            |

\*Yellow Pilot Spring 7 – 30 psi, Green Pilot Spring X – Y psi, Red Pilot Spring Y – Z psi.

# WATER METERS

## HYDROMETER REPLACEMENT REGISTERS

(N)

| Item Number  | Model Number   | Meter Size | Register Code           | Gallons/<br>Pulse | Price<br>Each |
|--------------|----------------|------------|-------------------------|-------------------|---------------|
| 70261-001115 | 36H1.5RG1R     | 1 1/2"     | Pulse Reed Switch       | 1.0               | 318.00        |
| 70261-001085 | 36H1.5PG.0053R |            | Photo Diode             | 0.0053            | 391.00        |
| 70261-001104 | 36H1.5EG.1R    |            | ER Digital w/Output Mod | -                 | 1,136.00      |
| 70261-001174 | 36H2RG1R       | 2"         | Pulse Reed Switch       | 1.0               | 318.00        |
| 70261-001172 | 36H2PG.0085R   |            | Photo Diode             | 0.0085            | 391.00        |
| 70261-001169 | 36H2EG.1R      |            | ER Digital w/Output Mod | -                 | 1,136.00      |
| 70220-020410 | 36H3RG1R       | 3"         | Pulse Reed Switch       | 1.0               | 318.00        |
| 70261-001218 | 36H3PD.0205R   |            | Photo Diode             | 0.0205            | 391.00        |
| 70261-001204 | 36H3EG.1R      |            | ER Digital w/Output Mod | -                 | 1,136.00      |
| 70261-001337 | 36H4RG1R       | 4"         | Pulse Reed Switch       | 1.0               | 318.00        |
| 70261-001187 | 36H4PG.0566R   |            | Photo Diode             | 0.0566            | 391.00        |
| 70261-001338 | 36H4EG10R      |            | ER Digital w/Output Mod | -                 | 1,136.00      |
| 70261-001415 | 36H6RG10R      | 6"         | Pulse Reed Switch       | 10                | 318.00        |
| 70261-001418 | 36H6PG.1739R   |            | Photo Diode             | 0.1739            | 391.00        |
| 70261-001414 | 36H6EG10R      |            | ER Digital w/Output Mod | -                 | 1,136.00      |
| 70261-008450 | 36H8RG10R      | 8"         | Pulse Reed Switch       | 10                | 318.00        |
| 70261-001588 | 36H8PG.3173R   |            | Photo Diode             | 0.3173            | 391.00        |
| -            | 36H8EG100R     |            | ER Digital w/Output Mod | -                 | 1,136.00      |



Reed Switch



Electronic Register



Photo Diode



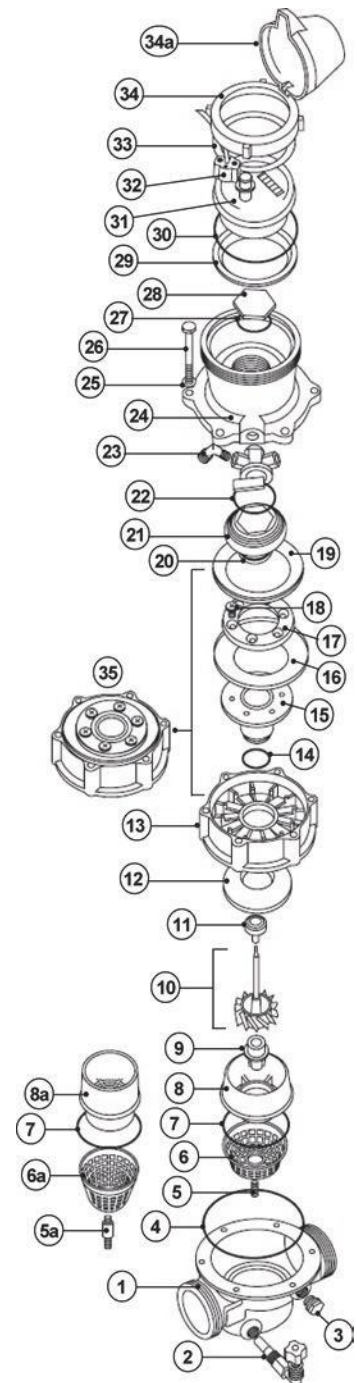
# WATER METERS

## HYDROMETER PARTS

1 1/2" and 2" Sizes

(N)

| Key | Item Number  | Model Number                                       | Description                                | Price Each |
|-----|--------------|--|--|------------|
| 1   | -            | 36HM1.5TF-BODY                                     | Body 1 1/2"                                | Call       |
|     | -            | 36HM2TG-BODY                                       | Body 2"                                    | Call       |
| 2   | 71680-014160 | 61SF25B  | Finger Strainer 1/4" x 1/8"                | 84.00      |
| 3   | -            | 3621031009   | Plug                                       | 7.70       |
| 4   | 70220-009322 | 3620600809   | Base O-Ring                                | 4.20       |
| 5   | -            | 3621281209   | Inlet Spider Screw for 1 1/2"              | 20.00      |
| 5a  | 70220-009747 | 3621280709   | Inlet Spider Screw for 2"                  | 27.00      |
| 6   | -            | 3625442209   | Strainer for 1 1/2"                        | 4.20       |
| 6a  | 70220-010817 | 3625442409   | Strainer for 2"                            | 4.20       |
| 7   | -            | 3620613909   | Inlet Spider O-Ring                        | 0.96       |
| 8   | 70220-009055 | 3625040109   | Inlet Spider for 1 1/2"                    | 54.00      |
| 8a  | 70220-009060 | 3625040409   | Inlet Spider for 2"                        | 77.00      |
| 9   | 70220-009715 | 3620312119   | Inlet Spider Nut                           | 87.00      |
| 10  | 70220-009080 | 3623720459   | Impeller Assembly for 1 1/2"               | 208.00     |
|     | 70220-009100 | 3623741929   | Impeller Assembly for 2"                   | 162.00     |
| 11  | 70220-005593 | 3620930119   | Magnet Housing Assembly for 1 1/2"         | 37.00      |
|     | 70220-005595 | 3620930129   | Magnet Housing Assembly for 2"             | 43.00      |
| 12  | 70220-009309 | 3623020219   | Stem Gasket Assembly                       | 143.00     |
| 13  | -            | 3624510509   | Base                                       | 127.00     |
| 14  | 70220-009795 | 3620601709   | Stem O-Ring                                | 3.50       |
| 15  | -            | 3624602019   | Stem Assembly                              | 443.00     |
| 16  | 70220-004950 | 3620625309   | Membrane                                   | 83.00      |
| 17  | 70220-002671 | 3623040809   | Membrane Washer                            | 86.00      |
| 18  | -            | 3621313509   | Stem Screw                                 | 0.77       |
| 19  | -            | 3623145709   | Membrane Support Ring                      | 12.00      |
| 20  | 70220-005070 | 3620610009   | Central Bushing O-Ring                     | 0.77       |
| 21  | -            | 3628520509   | Central Bushing                            | 40.00      |
| 22  | 70220-009798 | 3620600609   | Cover O-Ring                               | 0.77       |
| 23  | 71610-036000 | 62SV21/8M  | 3-Way Selector Valve                       | 64.00      |
| 24  | -            | 3625270669   | Cover                                      | 319.00     |
| 25  | -            | 3623020109   | Cover Screw Washer                         | 0.77       |
| 26  | -            | 3621040709   | Cover Screw                                | 6.40       |
| 27  | 70220-009760 | 3620612709   | Upper Bearing O-Ring                       | 0.97       |
| 28  | 70220-009555 | 3621140029   | Upper Bearing Screw                        | 202.00     |
| 29  | 70220-010510 | 3623123509   | Register Pressure Ring                     | 7.20       |
| 30  | 70220-010550 | 36REGISTERORING                                    | Register O-Ring                            | 5.70       |
| 31  | -            | See 'Hydrometer Replacement Registers' for options |  |            |
| 32  | 70220-005300 | 36RSGREY   | Pulse Reed Switch                          | 98.00      |
| 33  | 70220-010610 | 36SLIDINGRING                                      | Sliding Ring                               | 3.40       |
| 34  | 70220-011650 | 3625824629   | Dust Cover Assembly                        | 50.00      |
| 34a | 70220-004220 | 36DUSTCOVER  | Dust Cover Only                            | 27.00      |
| 35  | 70220-009320 | 3624510519   | Base Assembly                              | 714.00     |
| -   | 70220-005635 | 36HMTTOOLSG1.5-4                                   | Tool to Open Stem Gasket (1.5"-4" sizes)   | 2,139.00   |
| -   | 70220-005640 | 36HMTTOOLUBS1.5-8                                  | Tool to Open Upper Bearing Screw (1.5"-8") | 372.00     |



\*See Electronic Register option on previous page to accommodate tamper proof wire



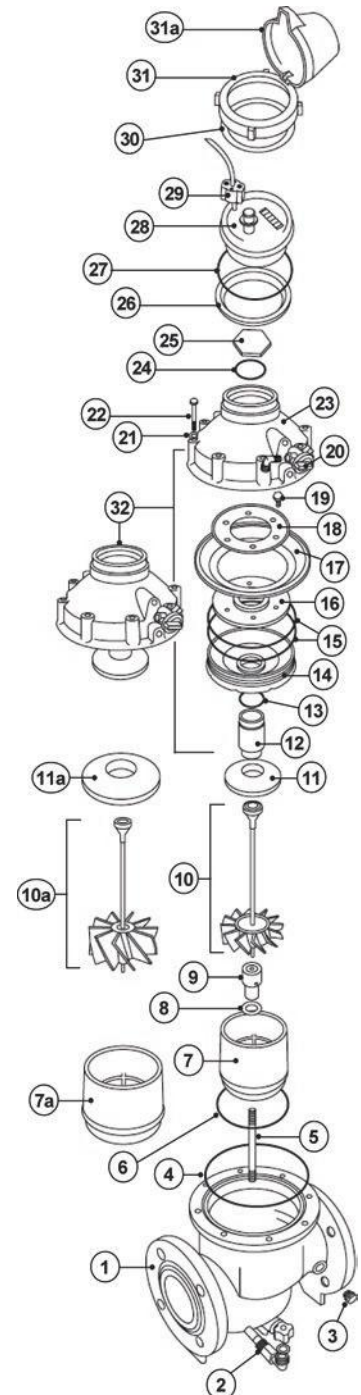
# WATER METERS

## HYDROMETER PARTS

3" and 4" Sizes

(N)

| Key | Item Number  | Model Number      | Description                                 | Price Each     |
|-----|--------------|-------------------|---|----------------|
| 1   | -            | 36HM3FG-BODY      | Body 3"                                     | Call for Price |
|     | 70261-009310 | 36HM4FG-BODY      | Body 4"                                     | 1,352.00       |
| 2   | 71680-014160 | 61SF25B           | Finger Strainer                             | 84.00          |
| 3   | -            | 3621031009        | Plug  | 7.70           |
| 4   | -            | 3620612409        | Base O-Ring                                 | 4.80           |
| 5   | 70220-009745 | 3621280809        | Inlet Spider Screw for 3"                   | 43.00          |
|     | 70220-009730 | 3621281009        | Inlet Spider Screw for 4"                   | 43.00          |
| 6   | 70220-009735 | 3620613109        | Inlet Spider O-Ring for 3"                  | 1.90           |
|     | 70220-009740 | 3620613709        | Inlet Spider O-Ring for 4"                  | 8.10           |
| 7   | 70220-009235 | 3625041320        | Inlet Spider for 3"                         | 88.00          |
| 7a  | 70220-009237 | 3625041420        | Inlet Spider for 4"                         | 160.00         |
| 8   | 70220-009720 | 3623022609        | Bearing Nut Ring                            | 12.00          |
| 9   | 70220-009700 | 3620312219        | Bearing Nut                                 | 88.00          |
| 10  | 70220-009200 | 3623743239        | Impeller Assembly for 3"                    | 317.00         |
| 10a | 70220-009220 | 3623741639        | Impeller Assembly for 4"                    | 317.00         |
| 11  | 70220-002665 | 36H3STEMGASK      | Stem Gasket Assembly for 3"                 | 251.00         |
| 11a | 70220-002695 | 36H4STEMGASK      | Stem Gasket Assembly for 4"                 | 158.00         |
| 12  | -            | 3624602109        | Stem  | 274.00         |
| 13  | -            | 3620614109        | Stem O-Ring                                 | 1.20           |
| 14  | -            | 3624510409        | Base  | 158.00         |
| 15  | -            | 3620602209        | Base O-Ring                                 | 7.30           |
| 16  | -            | 3623020809        | Membrane Support Ring                       | 341.00         |
| 17  | 70220-004970 | 36H3MEMBRANE      | Membrane                                    | 86.00          |
| 18  | -            | 3623120209        | Membrane Ring                               | 113.00         |
| 19  | -            | 3621410409        | Stem Screw                                  | 2.40           |
| 20  | 71610-036000 | 62SV21/8M         | 3-Way Selector Valve                        | 64.00          |
| 21  | -            | 3623022809        | Cover Screw Washer                          | 0.77           |
| 22  | -            | 3621040509        | Cover Screw                                 | 8.60           |
| 23  | -            | 3625230969        | Cover                                       | 562.00         |
| 24  | 70220-009760 | 3620612709        | Upper Bearing O-Ring                        | 0.97           |
| 25  | 70220-009555 | 3621140029        | Upper Bearing Screw                         | 202.00         |
| 26  | 70220-010510 | 3623123509        | Register Pressure Ring                      | 7.20           |
| 27  | 70220-010550 | 36REGISTERORING   | Register O-Ring                             | 5.70           |
| 28  | 70220-005300 | 36RSGREY          | Pulse Reed Switch                           | 98.00          |
| 29  | 70220-010610 | 36SLIDINGRING     | Sliding Ring                                | 3.40           |
| 30  | 70220-010650 | 36DUSTCOVERASSY   | Dust Cover Assembly                         | 50.00          |
| 31  | 70220-004220 | 36DUSTCOVER       | Dust Cover Only                             | 27.00          |
| 31a | 70261-017300 | 36HM4-HEAD        | Cover Assembly                              | 834.00         |
| 32  | 70220-005635 | 36HMTTOOLSG1.5-4  | Tool to Open Stem Gasket (1.5" -4" sizes)   | 2,139.00       |
| -   | 70220-005640 | 36HMTTOOLUBS1.5-8 | Tool to Open Upper Bearing Screw (1.5" -8") | 372.00         |



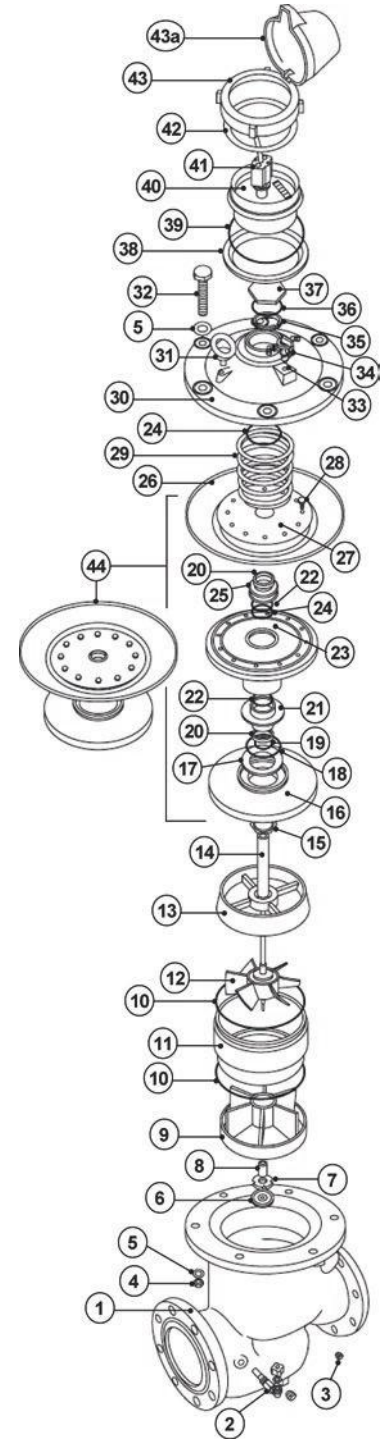
# WATER METERS

## HYDROMETER PARTS

6" Size

(N)

| Key | Item Number  | Model Number                                       | Description                                | Price Each |
|-----|--------------|--|--|------------|
| 1   | -            | 36HM6FG-BODY                                       | Body 6"                                    | Call       |
| 2   | 71680-014000 | 61SF25SB   | Finger Strainer Brass Long 1/4" x 1/4"     | 84.00      |
| 3   | -            | 3621031009   | Plug                                       | 7.70       |
| 4   | -            | 3620382409   | Nut  | 25.00      |
| 5   | -            | 3623022709   | Washer                                     | 4.20       |
| 6   | 70220-009867 | 3620280709   | Inlet and Outlet Cap                       | 11.00      |
| 7   | 70220-009865 | 3620180109   | Inlet Spider Screw                         | 5.90       |
| 8   | 70220-009690 | 3621331419   | Lower Bearing Screw                        | 121.00     |
| 9   | 70220-009877 | 3625045110   | Inlet Spider                               | 96.00      |
| 10  | 70220-009793 | 3620611209   | O-Ring                                     | 24.00      |
| 11  | 70220-009878 | 3626250109   | Inlet Adapter Pipe                         | 1,390.00   |
| 12  | -            | 3623742719   | Impeller                                   | 989.00     |
| 13  | 70220-009863 | 3624510609   | Sealing Ring Base                          | 709.00     |
| 14  | 70220-009872 | 3624624809   | Stem                                       | 246.00     |
| 15  | 70220-009881 | 3620338009   | Stem Locking Nut                           | 373.00     |
| 16  | -            | 3623024710   | Closing Disc                               | 566.00     |
| 17  | -            | 3623024109   | Supporting Disc                            | 72.00      |
| 18  | 70220-000018 | 3620615209   | O-Ring                                     | 1.90       |
| 19  | -            | 3623122509   | Wiper Holding Ring                         | 27.00      |
| 20  | -            | 3624616209   | Wiper                                      | 160.00     |
| 21  | -            | 3628400809   | Stem Bushing                               | 119.00     |
| 22  | 70220-000021 | 3620615309   | Stem O-Ring                                | 1.20       |
| 23  | 70220-009875 | 3624602339   | Stem                                       | 1,453.00   |
| 24  | 70220-005150 | 3620612209   | Stem Bearing O-Ring                        | 7.90       |
| 25  | -            | 3624903709   | Stem Upper Bearing                         | 86.00      |
| 26  | -            | 3620627509   | Membrane                                   | 388.00     |
| 27  | -            | 3623024859   | Stem Disc                                  | 100.00     |
| 28  | -            | 3621410409   | Screw                                      | 2.40       |
| 29  | 70220-009879 | 3627446009   | Membrane Spring                            | 131.00     |
| 30  | -            | 3625223079   | Cover                                      | 1,323.00   |
| 31  | -            | 3621482709   | Stem Screw                                 | 46.00      |
| 32  | -            | 3621082309   | Cover Screw                                | 83.00      |
| 33  | -            | 3625602709   | Bushing                                    | 25.00      |
| 34  | 71610-036100 | 62SV41/4M  | 3-Way Selector Valve                       | 128.00     |
| 35  | -            | 3620330009   | Central Bar Nut                            | 142.00     |
| 36  | 70220-009760 | 3620612709   | Upper Bearing O-Ring                       | 0.97       |
| 37  | -            | 3621430019   | Upper Bearing Screw                        | 326.00     |
| 38  | 70220-010510 | 3623123509   | Register Pressure Ring                     | 7.20       |
| 39  | 70220-010550 | 36REGISTERORING                                    | Register O-Ring                            | 5.70       |
| 40  | -            | See 'Hydrometer Replacement Registers' for options |  |            |
| 41  | 70220-005300 | 36RSGREY   | Pulse Reed Switch                          | 98.00      |
| 42  | 70220-010610 | 36SLIDINGRING                                      | Sliding Ring                               | 3.40       |
| 43  | 70220-011650 | 3625824629   | Dust Cover Assembly                        | 50.00      |
| 43a | 70220-004220 | 36DUSTCOVER  | Dust Cover Only                            | 27.00      |
| 44  | 70220-009875 | 3624602339   | Stem Assembly                              | 1,453.00   |
| -   | 70220-005640 | 36HMT00LUBS1.5-8                                   | Tool to Open Upper Bearing Screw (1.5"-8") | 372.00     |
| -   | 70220-005645 | 36HMT00LCBN6-8                                     | Tool to Open Central Bar Nut (6" to 8")    | 2,193.00   |



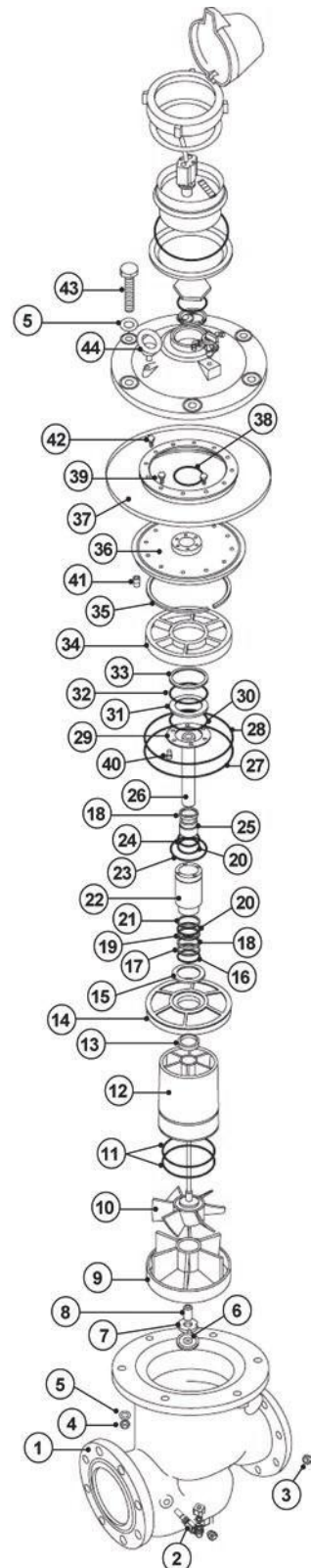
# WATER METERS

## HYDROMETER PARTS

8" Size

(N)

| Key | Item Number  | Model Number | Description                            | Price Each |
|-----|--------------|--------------|--|------------|
| 1   | -            | 36HM8FG-BODY | Body 8"                                | Call       |
| 2   | 71680-014000 | 61SF25SB     | Finger Strainer Brass Long 1/4" x 1/4" | 84.00      |
| 3   | -            | 3621031009   | Plug                                   | 7.70       |
| 4   | -            | 3620382409   | Nut                                    | 25.00      |
| 5   | -            | 3623022709   | Washer                                 | 4.20       |
| 6   | 70220-009867 | 3620280709   | Inlet and Outlet Cap                   | 11.00      |
| 7   | 70220-009865 | 3620180109   | Inlet Spider Screw                     | 5.90       |
| 8   | -            | 3621381419   | Lower Bearing Screw                    | 268.00     |
| 9   | -            | 3625046309   | Inlet Spider                           | 127.00     |
| 10  | 70220-009222 | 3623740979   | Impeller                               | 894.00     |
| 11  | 70220-000017 | 3620608609   | O-Ring                                 | 24.00      |
| 12  | -            | 3626258709   | Inlet Adapter Pipe                     | 4,538.00   |
| 13  | 70220-009881 | 3620338009   | Stem Locking Nut                       | 373.00     |
| 14  | 70220-005170 | 3623024210   | Closing Disc                           | 435.00     |
| 15  | -            | 3623024109   | Supporting Disc                        | 72.00      |
| 16  | 70220-000018 | 3620615209   | O-Ring                                 | 1.90       |
| 17  | -            | 3623122509   | Wiper Holding Ring                     | 27.00      |
| 18  | -            | 3624616209   | Wiper                                  | 160.00     |
| 19  | -            | 3624903609   | Stem Bottom Bearing                    | 12.00      |
| 20  | 70220-000020 | 3620609809   | Stem Bearing O-Ring                    | 1.20       |
| 21  | -            | 3624903509   | Stem Bottom Bearing                    | 59.00      |
| 22  | -            | 3624602709   | Stem                                   | 1,663.00   |
| 23  | 70220-000019 | 3620606809   | O-Ring                                 | 4.20       |
| 24  | 70220-000021 | 3620615309   | O-Ring                                 | 1.20       |
| 25  | -            | 3624903709   | Stem Upper Bearing                     | 86.00      |
| 26  | -            | 3624616109   | Central Bar                            | 464.00     |
| 27  | 70220-000022 | 3620609709   | O-Ring                                 | 19.00      |
| 28  | 70220-000023 | 3620609609   | O-Ring                                 | 34.00      |
| 29  | -            | 3623148709   | Lower Chamber Ring                     | 86.00      |
| 30  | 70220-000024 | 3620619609   | O-Ring                                 | 9.60       |
| 31  | -            | 3624627509   | Lower Chamber Wiper                    | 515.00     |
| 32  | 70220-000025 | 3620618609   | O-Ring                                 | 9.60       |
| 33  | -            | 3624906109   | Lower Chamber Bearing                  | 40.00      |
| 34  | -            | 3623026459   | Lower Chamber Disc                     | 451.00     |
| 35  | -            | 3623138609   | Lower Chamber Locking Ring             | 688.00     |
| 36  | -            | 3623024959   | Stem Disc                              | 675.00     |
| 37  | -            | 3620628609   | Membrane                               | 506.00     |
| 38  | 70220-005150 | 3620612209   | O-Ring                                 | 7.90       |
| 39  | -            | 3621010309   | Stem Screw                             | 2.70       |
| 40  | -            | 3621410409   | Cap Screw                              | 2.40       |
| 41  | -            | 3621486209   | Tightening Screw                       | 2.70       |
| 42  | -            | 3621410410   | Screw                                  | 2.70       |
| 43  | -            | 3621086109   | Cap Screw                              | 97.00      |
| 44  | -            | 3621482709   | Stem Screw                             | 46.00      |



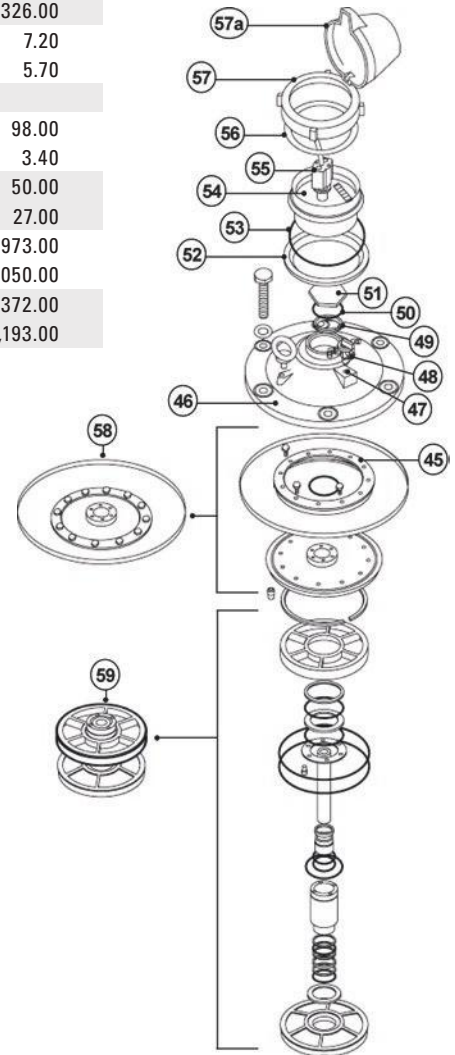
# WATER METERS

## HYDROMETER PARTS

8" Size

(N)

| Key | Item Number  | Model Number                                       | Description                                | Price Each |
|-----|--------------|--|--|------------|
| 45  | -            | 3623026309   | Membrane Disc                              | 693.00     |
| 46  | -            | 3625226869   | Cover                                      | 2,008.00   |
| 47  | -            | 3625602709   | Bushing                                    | 25.00      |
| 48  | 71610-036100 | 62SV41/4M  | 3-Way Selector Valve                       | 128.00     |
| 49  | -            | 3620330009   | Central Bar Nut                            | 142.00     |
| 50  | 70220-009760 | 3620612709   | Upper Bearing O-Ring                       | 0.97       |
| 51  | -            | 3621430019   | Upper Bearing Screw                        | 326.00     |
| 52  | 70220-010510 | 3623123509   | Register Pressure Ring                     | 7.20       |
| 53  | 70220-010550 | 36REGISTERORING                                    | Register O-Ring                            | 5.70       |
| 54  | -            | See 'Hydrometer Replacement Registers' for options |  |            |
| 55  | 70220-005300 | 36RSGREY   | Pulse Reed Switch                          | 98.00      |
| 56  | 70220-010610 | 36SLIDINGRING                                      | Sliding Ring                               | 3.40       |
| 57  | 70220-011650 | 3625824629   | Dust Cover Assembly                        | 50.00      |
| 57a | 70220-004220 | 36DUSTCOVER  | Dust Cover Only                            | 27.00      |
| 58  | -            | 3620628619   | Membrane Assembly                          | 1,973.00   |
| 59  | -            | 3624602829   | Stem Assembly                              | 6,050.00   |
| -   | 70220-005640 | 36HMT00LUBS1.5-8                                   | Tool to Open Upper Bearing Screw (1.5"-8") | 372.00     |
| -   | 70220-005645 | 36HMT00LCBN6-8                                     | Tool to Open Central Bar Nut (6" to 8")    | 2,193.00   |



# WATER METERS

## HYDROMETER SOLENOIDS

(N)

| Item Number  | Model Number    | Description  | Price Each |
|--------------|-----------------|--|------------|
| 70220-006080 | 36SOLNO-024-3.5 | Normally Open (N.O.) 24VAC Brass Solenoid - Wire Leads   | 262.00     |
| 70220-006085 | 36SOLNC-024-3.5 | Normally Closed (N.C.) 24VAC Brass Solenoid - Wire Leads | 262.00     |
| 70220-006086 | 36COIL-024-3.5  | Coil Only 24VAC  | 141.00     |

## HYDROMETER PILOTS

(N)

| Item Number  | Model Number  | Description   | Price Each |
|--------------|---------------|---|------------|
| 70220-001700 | 36PIL29117GRY | Pressure Reducing Plastic Black Pilot 29-117 psi Gray Spring        | 327.00     |
| 70220-001775 | 36PIL14-44-G  | Pressure Reducing Plastic Black Pilot 14-44 psi Green Spring        | 327.00     |
| 70220-001560 | 36PIL5-26-B   | Pressure Reducing Plastic Black Pilot 5-26 psi Blue Spring          | 327.00     |
| 71680-001200 | 61PIL31310-G  | Pressure Reducing & Sustaining Brass Pilot 14-90 psi Green Spring   | 930.00     |
| 71680-001210 | 61PIL31310-R  | Pressure Reducing & Sustaining Brass Pilot 30-130 psi Red Spring    | 930.00     |
| -            | 61PIL31310-B  | Pressure Reducing & Sustaining Brass Pilot 100-285 psi Black Spring | 948.00     |

## HYDROMETER PILOT SPRINGS

(N)

| Item Number  | Model Number | Description                            | Price Each |
|--------------|--------------|--|------------|
| -            | 36SPP1001    | Plastic Pilot Spring Gray 29-117 psi   | 35.00      |
| -            | 36SPP1002    | Plastic Pilot Spring Green 14-44 psi   | 35.00      |
| -            | 36SPP1003    | Plastic Pilot Spring Blue 5-26 psi     | 35.00      |
| 71680-010550 | 61SPP2047    | Brass Pilot Spring Green 14-90 psi     | 56.00      |
| 71680-010500 | 61SPP2050    | Plastic Pilot Spring Red 30-130 psi    | 74.00      |
| 71680-010650 | 61SPP2076    | Plastic Pilot Spring Black 100-285 psi | 72.00      |

# WATER METERS



①



②



③



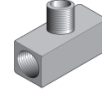
④



⑤



⑥



⑦



⑧

## HYDROMETER FITTINGS

Ⓝ

| Key | Item Number  | Model Number | Description   | Bag Qty | Price Each |
|-----|--------------|--------------|---|---------|------------|
| 1   | 76400-002110 | 55P4684802-B | Plastic Male Connector 8 mm x 1/8"                  | 10      | 39.30      |
|     | 76400-002310 | 55P4684804-B | Plastic Male Connector 8 mm x 1/4"                  | 10      | 39.30      |
| 2   | 70220-002400 | 3624235309   | Plastic Female Connector 8 mm x 1/4" (Pilot x 8 mm) | 1       | 12.00      |
| 3   | 76400-001310 | 55P4624800-B | Plastic Union Connector 8 mm x 8 mm                 | 10      | 62.60      |
| 4   | 76400-001210 | 55P4564846-B | Plastic Reducing Connector 8 mm x 6 mm              | 10      | 62.60      |
| 5   | 76400-003410 | 55P4694802-B | Plastic Male 90° Elbow 8 mm x 1/8"                  | 10      | 59.40      |
|     | 76400-003503 | 55P4694804-B | Plastic Male 90° Elbow 8 mm x 1/4"                  | 10      | 59.40      |
| 6   | 76400-004505 | 55P4714804-B | Plastic Male Branch Tee 8 mm x 1/4" x 8 mm          | 10      | 75.30      |
|     | 76400-004410 | 55P4714802-B | Plastic Male Branch Tee 8 mm x 1/8" x 8 mm          | 10      | 78.50      |
| -   | 78301-003800 | 55B216P2     | Brass Hex Nipple 1/8"                               | 1       | 3.00       |
| 7   | 78301-002500 | 55B2225P4    | Brass Street Tee 1/4" x 1/4"                        | 1       | 23.00      |
| 8   | 78301-003300 | 55B209P42    | Brass Bushing 1/4" M x 1/8" F                       | 1       | 3.50       |
| -   | 78301-004600 | 55B222P44    | Brass Adapter 1/4" M x 1/4" F                       | 1       | 6.30       |
| -   | 78301-004500 | 55B222P42    | Brass Adapter 1/4" F x 1/8" M                       | 1       | 7.20       |

# WATER METERS



## HYDROMETER ACCESSORIES

(N)

| Key | Item Number  | Model Number     | Description   | Price Each |
|-----|--------------|------------------|---|------------|
| 1   | 71680-014160 | 61SF25B          | Brass Finger Strainer 1/4" x 1/8" (1.5" to 4" Sizes)    | 84.00      |
| -   | 71680-014000 | 61SF25SB         | Brass Finger Strainer Long 1/4" x 1/4" (6" to 8" Sizes) | 84.00      |
| 2   | 71610-036000 | 62SV21/8M        | 3-Way Selector Valve 1/8" x 1/8"                        | 64.00      |
|     | 71610-036100 | 62SV41/4M        | 3-Way Selector Valve 1/4" x 1/4"                        | 128.00     |
| 3   | 71610-035600 | 62SBV25          | Ball Valve Brass 1/4"                                   | 46.00      |
| 4   | 76601-001050 | 61APS1/8         | Shrader Valve   | 7.20       |
| 5   | 00110-001750 | 6809020-30       | Pressure Gauge 0-30 psi                                 | 91.00      |
| 6   | 00110-001790 | 6809020-100      | Pressure Gauge 0-100 psi                                | 91.00      |
|     | 00110-001810 | 6809020-160      | Pressure Gauge 0-160 psi                                | 91.00      |
| 7   | 40001-000400 | 15CONT-8         | Control Tubing 8 mm 1000' coil                          | 220.00     |
|     | 40001-000383 | 15CONT8C100      | Control Tubing 8 mm 100' coil                           | 33.30      |
|     | 40001-000382 | 15CONT8C50       | Control Tubing 8 mm 50' coil                            | 19.00      |
|     | 40001-000381 | 15CONT8C10       | Control Tubing 8 mm 10' coil                            | 12.40      |
| -   | 70220-005635 | 36HMT00LSG1.5-4  | Tool to Open Stem Gasket (1.5"-4" sizes)                | 2,139.00   |
| -   | 70220-005640 | 36HMT00LUBS1.5-8 | Tool to Open Upper Bearing Screw (1.5"-8")              | 372.00     |
| -   | 70220-005645 | 36HMT00LCBN6-8   | Tool to Open Central Bar Nut (6" to 8")                 | 2,193.00   |

**NETAFIM USA**  
5470 E. HOME AVE.  
FRESNO, CA 93727  
CS: 888 638 2346  
[WWW.NETAFIMUSA.COM](http://WWW.NETAFIMUSA.COM)



Precision  
Agriculture



APL001 04/24